



**ColorKey**  
creative lighting



# Dazzler FX

## Cold Spark Machine

CKU-7700 / CKU-7701

# USER MANUAL

# Table of Contents

<b>INTRODUCTION</b> .....	<b>3</b>
<b>INSTALLATION</b> .....	<b>4</b>
<b>MAINTENANCE &amp; PRECAUTIONS</b> .....	<b>4</b>
<b>SERVICE &amp; SUPPORT</b> .....	<b>5</b>
<b>DAZZLER FX OVERVIEW</b> .....	<b>6</b>
<b>LCD DISPLAY OPERATION</b> .....	<b>7</b>
<b>MENU GUIDE</b> .....	<b>8</b>
<b>DMX VALUES</b> .....	<b>9</b>
<b>3 CHANNELS MODE</b> .....	<b>9</b>
<b>WIRELESS REMOTE OVERVIEW</b> .....	<b>10</b>
<b>READ BEFORE FIRST USE</b> .....	<b>11</b>
<b>OPERATION</b> .....	<b>12</b>
<b>TROUBLESHOOTING</b> .....	<b>14</b>
<b>TECHNICAL INFORMATION</b> .....	<b>14</b>

*Please read these instructions carefully before use. Operating this fixture according to these instructions is important to avoid any possible damage or accidents caused by misuse.*

# Introduction

## Package Contents

- Dazzler FX Cold Spark Machine
- PowerCon Locking Power Cable
- Remote
- Remote Receiver
- User Manual

**Caution!** Opening this unit voids warranty. Contact ColorKey for any service requests.

**Warning!** To avoid electrical shock, be sure to disconnect power before any service or when moving or setting up the fixture.

- Always keep this fixture in a dry area
- This fixture must be used at a minimum distance of 5 meters (16'4") away from any contactable objects.
- Do not install or operate this fixture near flammable materials.
- This device must be installed, operated, and maintained by a qualified professional.
- Please check if the voltage is in accordance with the rated power before installing.
- Do not operate this fixture if the power cord has been damaged. Turn off fixture and replace with a power cord of similar rating.
- Do not touch the fixture during operation as the housing heats up

## Installation

- Ensure there are no flammable materials within 5 meters (16'4") of the fixture
- Connect the fixture to power and turn on

## Maintenance & Precautions



# WARNING

## **Dazzler FX must be cleaned after each use to extend the life of the unit.**

- Please follow *one* of the instructions below after each use:
  - Use the Clearing function on the Wireless Remote
    - ◆ Press option (Clear) and let run until there is no more powder expelled from the machine and the hopper is clear after inspection
  - Use the Clearing function by way of DMX control
    - ◆ Set Ch.2 at DMX value 150-255 to expel unspent powder after each use.
    - ◆ Let run until there is no more powder expelled from the machine and the hopper is clear after inspection
- Clearing the powder out means that all remaining spark powder has been removed from the fixture to prevent clogging that can happen internally when powder remains in the operating components between use.
- Ensure that you are using ColorKey Dazzler FX Cold Spark Powder [CKU-7800] (Sold separately)
- Be sure to keep track of wireless Remote receiver. If it gets lost, you will need to contact ColorKey

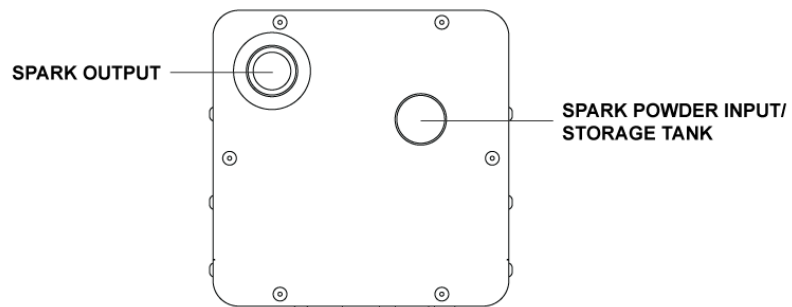
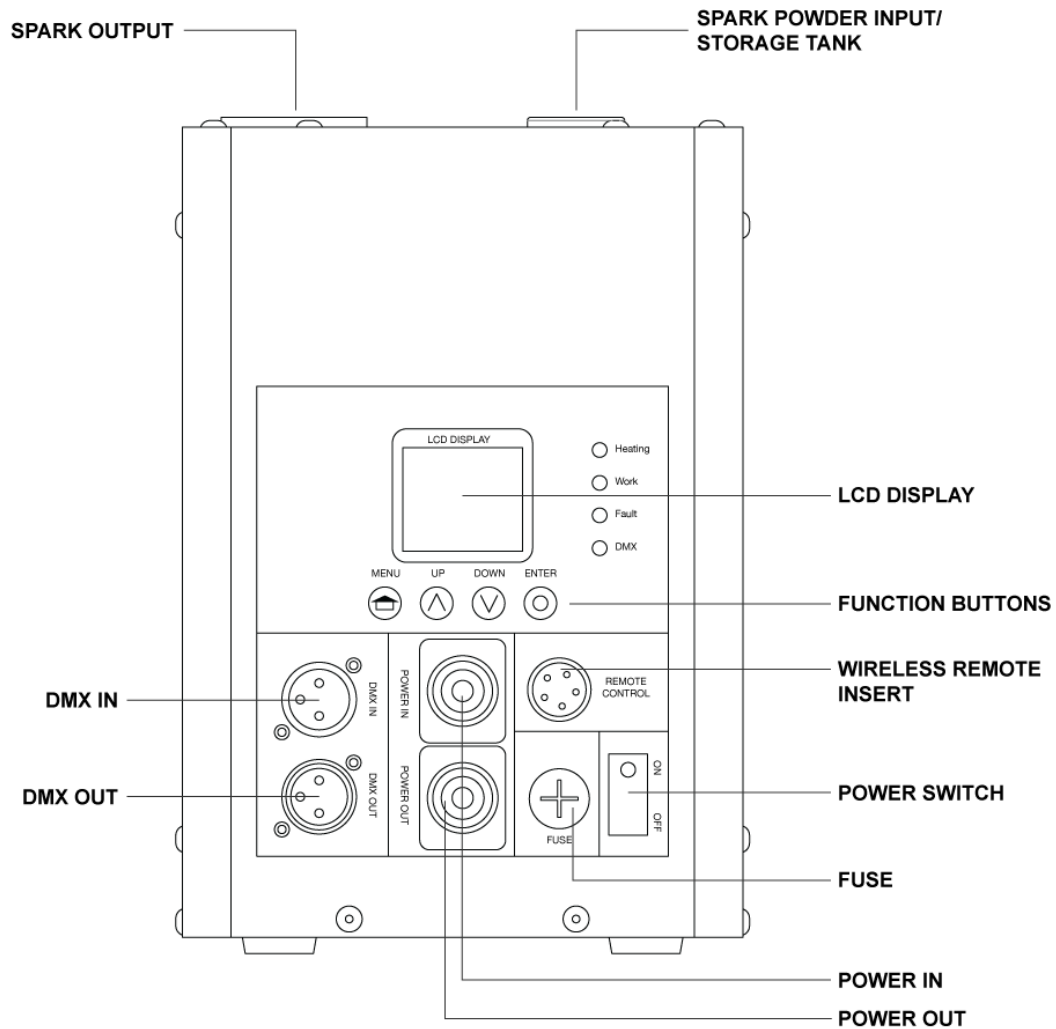
## Service & Support

Your ColorKey product includes a 2-year warranty. For technical support or to register your product, please visit <https://www.colorkeyled.com/support/>

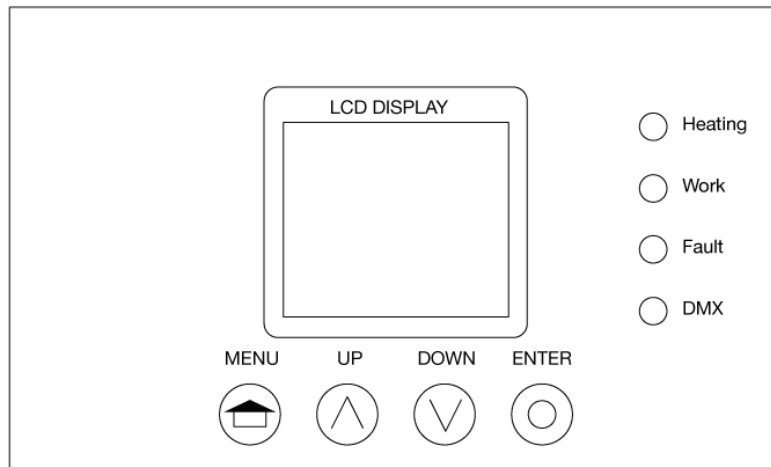
You can also reach us by phone Monday thru Friday, 8:30am – 5pm PST at (818) 578-4030.



# Dazzler FX Overview



# LCD Display Operation



Menu: Access the menu/Scroll through menu options

Up: Scroll through menu selection or increase parameter

Down: Scroll through menu selection or parameters decrease

Enter: Open/Select the current menu option

## Menu Guide

Menu Item Show	Values	Function
DMX Address	001-512	DMX Address setting
Wireless Switch	On / Off	Turn the Wireless Remote On or Off
Language	CN / EN	Switch between English and Chinese
Master	On / Off	When Multiple units are connected in series, set one unit as the Master. The Master can be controlled by the remote and control and connected units will respond accordingly
ID Code	01-30	When machines are connected in series, set each with a unique ID Code to allow for Master/Slave pre-programmed FX shows such as "Horse Race". The first unit should be 001, the next 002 and so on. THE MAXIMUM NUMBER IS 30.
PaoMA	01-30	This is the number of machines to be connected in series. For example, if only using 8 units in series set all Master and Slave units to 008. THE MAXIMUM NUMBER IS 30.
Class switch (Spray Effect)	On / Off	The fan and spray effect will only operate when Class is On
Class (Spray height)	1, 2, 3	1-Low spray height, 2-Medium spray height, 3-High spray
Manual Spark	On / Off	Use this function to troubleshoot the machine if you encounter any issues during use.
Display Protect	On / Off	Automatically blackout the screen after 30 seconds of non-use



# DMX Values

## 3 Channels Mode

Channel	Value	Function
1	0-10	Spark Off
	11-255	Spark On
2	0-149	No Effect
	150-255	Clear Material (Blower only, no heat) Recommended after each use.
3	0-199	Heating on (Ch1 functions will not work)
	200-255	Stop heating (Ch1 functions will not work)  <b>*NOTE:</b> The “Stop heating” function can be useful when a machine needs to be part of a live event setting for an extended time while remaining cool.

# Wireless Remote Overview



Button	Function Description	
On	Spark On	
Off	Spark Off	
High	Maximum spark fountain height	
Middle	Medium spark fountain height	
Low	Minimum spark fountain height	
Clear	Run for 5 seconds to clear Dazzler FX Spark Powder	
5s	Will produce a 5-second show at Class setting	
10s	Will produce a 10-second show at Class setting	
Effect 1	Single FX Auto Show)	See page 11 “ <b>Horse Racing Effects using the Master Slave settings</b> ” for instructions for enabling multi-unit Auto FX.  <i>*More than one Dazzler FX is needed to run Auto FX</i>
Effect 2	Round FX Auto Show	
Effect 3	Double Direction FX Auto	
Effect 4	Flowing FX Auto	
Effect 5	Refresh FX Auto	
Effect 6	Double Direction FX Auto	
Speed +	Increase FX Speed	
Speed -	Decrease FX Speed	

## Read Before First Use

- At power on, the Dazzler FX will begin heating for use. It is recommended to connect to your selected DMX controller and other machines at this time.
- The Dazzler FX must be used in a well-ventilated area only. If the machine is placed in too hot an environment (above 104 degrees) where there is limited airflow, the machine's heating protection system may cause a safety shutdown.
- The Dazzler FX machine must be used horizontally on the ground only. The machine should have 1 meter (3 feet) clearance on all sides. Keep away from children, flames, flammable, and combustible materials.
- Don't allow the Dazzler FX machine to run out of powder for an extended time. If the machine is allowed to run empty, it may cause the motor and heater to be damaged.
- Turn off the power before adding powder and do not allow powder to enter the inside of the housing as internal electrical damage may result.
- If the spark output is low, or there is noise from motor, or the machine stops creating spark altogether- do not attempt modify or repair the machine by yourself. Please contact the dealer of purchase of ColorKey directly for more support.
- To better protect the life and longevity of your Dazzler FX units, it is advised to use the effect in small increments of 10-30 seconds. If the machine continues to work, heat up and consumes a whole package of powder, please cut off the power and make the machine stop working for more than 10 minutes.
- When the machine is not being used, or will be in storage for a long time, please do not keep the powder loaded in the tank. Please be sure to spray out the powder using the remote, manual or DMX clearing functions to prevent the machine from becoming blocked or lodged with powder.
- When finished loading Dazzler FX Spark Powder, be sure to securely fasten the Storage Tank cap, otherwise it could allow for safety issues.
- The power supply can connect to a maximum of 6 machines in series.
- If the machine is overturned or impacted during use, it will automatically shut down. To correct, turn off the power, check all connections are not damaged. When confirmed ok, it can be used normally after restarting.

# Operation

## Using the Wireless Remote

- Plug in the power cord and power on. Wait for the machine to warm up for 3-5 minutes, the 'heating' indicator will flash during warm up.
- Ensure the Wireless Receiver is connected to your Dazzler FX and Wireless is turned On in the main menu. The remote has a power switch located on the right side and uses a A23 battery (included).
- When the heating indicator light stops flashing to signal that the machine has finished preheating, pour Dazzler FX Spark Powder into the storage tank. (We recommend using about half a bag of powder at a time)
- You may now use the remote control to trigger spark effects. (See page 9 for remote control details).

## Horse Racing Effects using the Master Slave settings:

- Using the Menu, set your desired "Master" unit to the "ON" state.
- Select "PaoMa Num" and set it to the TOTAL number of connected machines.
  - For example, if 4 machines are connected in series, the value is set to 004.
- The host "ID code" is set to 001 by default.
- To Slave machines, enter the Menu setting interface and set the second "ID code" to "002". In turn the third will be set to "003", and so on...
- After the settings are completed, use the remote control's Multi Unit buttons "Effect1, Effect2, Effect3..." will now work to trigger the various multi-unit Dazzler FX spray FXs.

### Using a DMX controller:

- Power on the machine and connect to a DMX controller with a DMX cable. The machine defaults to DMX address 001. The DMX address can now be set as needed.
- Dazzler FX preheating starts instantly when plugged in. When the preheating is complete, the heating indicator will stop flashing. You can then push channel 1 to start spraying and adjusting the height.
- To turn off the machine's continuous heating feature, engage Channel 3 DMX value to 200-255.
- Use Channel 2 to start the blower only and clear unused Dazzler FX Spark Powder.



### Set Spray Height (Use for manual testing only):

*NOTE: These settings are used for manual testing only, we strongly suggest not to modify the "Class" settings on the Menu*

Select "Setting" and press "ENTER" to enter the Setting Menu. Select "Gear" and switch to "On". Gear associates to height as follows: (1) is low, (2) is medium, and (3) is the highest spray height (approx. 5m).

## Troubleshooting

Problems	Solutions
No DMX Control	Ensure your DMX controller is sending signal and you are using a proper and working DMX cable.
Error Light Indicator On	If the error light indicator is on, please ensure your Dazzler FX is in the correct upright position. Restart to test.
If the fan is working but no spark	If the fan of the machine is working but the Dazzler FX does not spray sparks, please ensure the machine is fully preheated. (The heating indicator will no longer flash and remain solid when Dazzler FX is fully warmed up)

## Technical Information

- 600W Cold Spark Machine with FX
- DMX Channel Modes: 3 channels
- Control modes: DMX 512, Master /Slave, Wireless Remote
- Screen Display: LCD
- Pre-heating time: 3 min
- Spark Height: 1.5 - 5 meter adjustable
- Power connection: PowerCon In / Out
- Power consumption: 600W
- Power supply: AC120-240V; 50-60Hz

**Please note:** As we continue to work towards improving our products and your experience as a user, we recommend that you check our website periodically for updates to user manuals and specifications at [www.ColorKeyLED.com](http://www.ColorKeyLED.com) or you may contact us directly at [info@colorkeyled.com](mailto:info@colorkeyled.com).