

SC-PTZ Series

HD Video Camera Conference



1 INTRODUCTION

Full HD, Wide View Angle, Multi-protocols, Multiple Video Interfaces.

The CC-S80 series camera offers perfect functions, superior performance, and rich interfaces.

The features include advanced ISP processing algorithms to provide vivid images with a strong sense of depth, high resolution, and fantastic color rendition. It supports H.264/H.265 encoding which makes motion video fluent and clear even under less-than-ideal bandwidth conditions.

2 KEY FEATURES

● Superb High-definition Image

CC-S80 employs 1/2.8-inch-high quality CMOS sensor. Resolution is up to 1920x1080 with frame rate up to 60fps.

● Leading Auto Focus Technology

Leading auto focus algorithm makes lens a fast, accurate and stable auto-focusing.

● Low Noise and High SNR

Low Noise CMOS effectively ensure high SNR of camera video. Advanced 2D/3D noise reduction technology is also used to further reduce the noise, while ensuring image sharpness.

● Audio Input Interface (for future development)

Support 16000,32000,44100,48000 sampling frequency and AAC, MP3, PCM audio coding.

● Wide-range, Quiet and Quick Pan/Tilt Mechanism

By adopting step driving motor mechanism, CC-S80 camera works extremely quiet and moves smoothly.

● Multiple Audio/Video Compression

Support H.264/H.265 video compression; AAC, MP3 and PCM audio compression; Support compression of resolution up to 1920x1080 with frame up to 60fps and 2 channel 1920x1080p with 30fps compression.

● Multiple Network Protocol

Support ONVIF, RTSP, RTMP protocols and support RTMP push mode, easy to link streaming media server (Wowza, FMS)

● RS-232 Cascade Function

Support RS-232 cascade function which is convenient for installation.

● Wide Application

Tele-education, Lecture Capture, Webcasting, Videoconferencing, Tele-training, Tele-medicine, Interrogation and Emergency command systems.

● Low-power Sleep Function

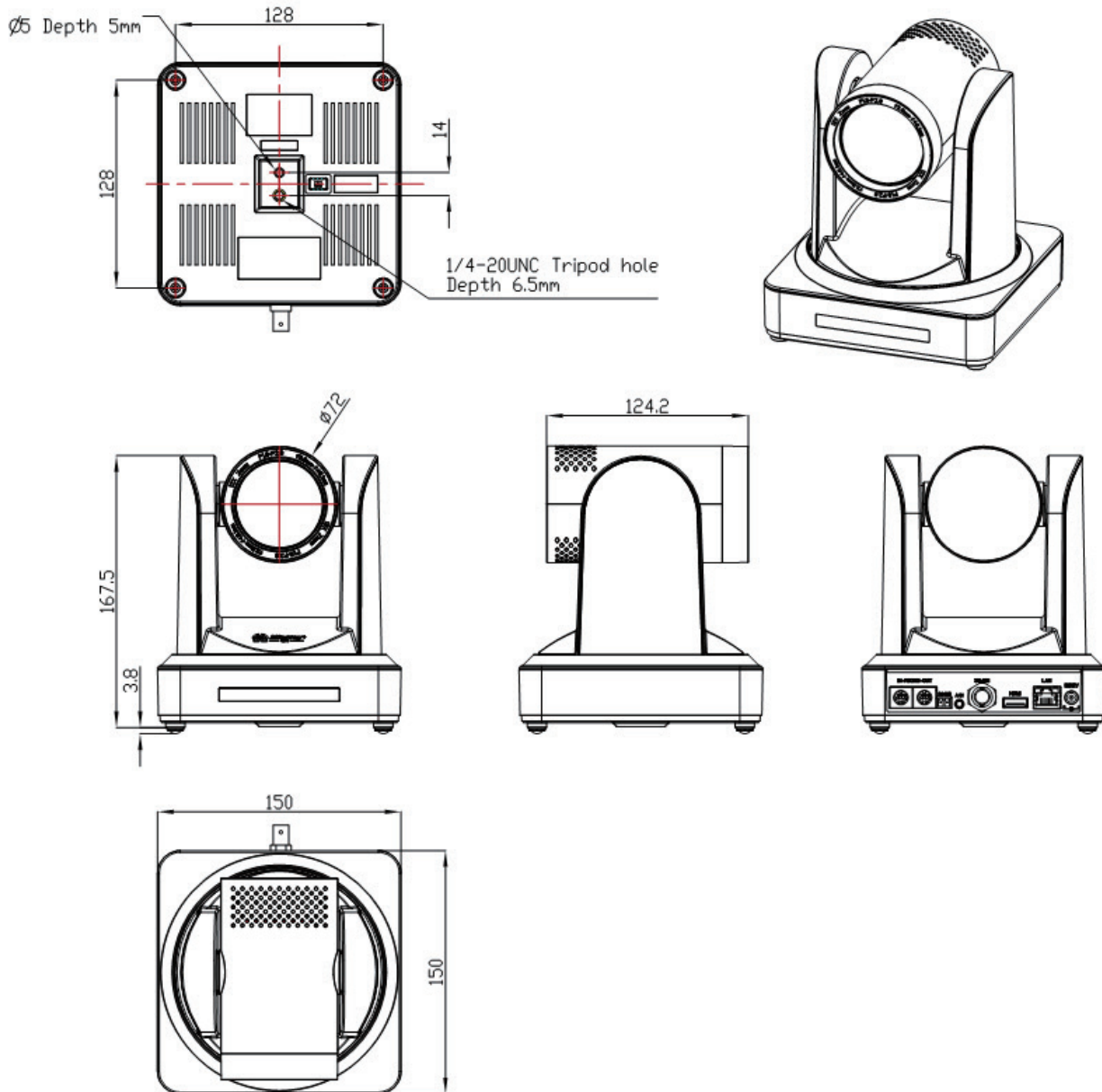
Support low-power sleep/wake up, the consumption is lower than 400mW under sleep mode.

3 TECHNICAL SPECIFICATION

Model	SC-PTZ-10X	SC-PTZ-12X	SC-PTZ-20X
Camera Parameter			
Optical Zoom	10X optical zoom f=4.7 ~ 47mm	12 X optical zoom f=3.9 ~ 46.8mm	20X optical zoom f=5.5 ~ 110mm
Sensor	1/2.8 inch high quality HD CMOS sensor		
Effective Pixels	16: 9, 2.07 megapixel		
Video Format	<p>HDMI/SDI/HDBaseT interface video format 1080P60/50/30/25/59.94/29.97; 1080I60/50/59.94; 720P60/50/30/25/59.94/29.97</p> <p>USB3.0 interface video format USB3.0: 1920 × 1080P60/50/30/25; 1280 × 720P60/50/30/25; 960 × 540P30; 640 × 360P30; 640 × 480P30; 352 × 288P30; 800 × 600P30;</p> <p>USB3.0 compatible with USB2.0: 960 × 540P30; 640 × 360P30; 1280 × 720P10/15; 720 × 576P50; 720 × 480P60; 640 × 480P30; 352 × 288P30; 800 × 600P30;</p> <p>USB2.0 interface video format 176 × 144/320 × 240/320 × 180/352 × 288/640 × 480/ 720 × 480/720 × 576/640 × 360/800 × 600/960 × 540/ 1024 × 576/1024 × 768/1280 × 720/ 1920 × 1080P30/25/20/15/10/5</p>		
View Angle	6.43°(tele) 60.9°(wide)	6.3°(tele) 72.5°(wide)	3.3°(tele) 54.7°(wide)
AV	F1.6 – F3.0	F1.8 – F2.4	F1.6 – F3.5
Digital Zoom	10X	12X	20X
Minimum Illumination	0.5Lux (F1.8, AGC ON)		
DNR	2D & 3D DNR		
White Balance	Auto / Manual/ One Push// 3000K / 3500K / 4000K / 4500K / 5000K / 5500K / 6000K / 6500K / 7000K		
Focus/Aperture/Electronic Shutter	Auto/Manual/ One Push		
BLC	ON/OFF		
WDR	OFF/ Dynamic level adjustment		
Video Adjustment	Brightness, Color, Saturation, Contrast, Sharpness, B/W mode, Gamma curve		
SNR	>55dB		
Input/Output Interface			
Video Interfaces	SDI、HDMI、LAN、RS232 (In/Out)、RS485、A-IN		
Video Compression Format	H.264, H.265, Dual stream output		
Control Protocol	VISCA/Pelco-D/Pelco-P; Baud Rate: 115200/9600/4800/2400bps		
Audio Input Interface	Double track 3.5mm linear input;		
Audio Compression Format	AAC、MP3、G.711A		
HD IP Interface	100M IP port(100BASE-TX); Support VISCA protocol control through IP port. 5G WiFi (optional)		
Network Protocol	RTSP, RTMP, ONVIF, GB/T28181		
Power Interface	HEC3800 outlet (DC12V)		
PTZ Parameter			

Pan/Tilt Rotation	±170°, -30°~ +90°
Pan Control Speed	0.1 -60°/sec
Tilt Control Speed	0.1-30°/sec
Preset Speed	Pan: 60°/sec, Tilt: 30°/sec
Preset Number	255 presets (10 presets by remote controller)
Other Parameter	
Supply Adapter	AC110V-AC220V to DC12V/1.5A
Dimension	150mm x 150mm x 167.5mm
Weight	1.4KG
Remote Operation (IP)	Remote Upgrade, Reboot and Reset

Dimension (mm) :



SPROLINK®

XIAMEN SPROLINK SCIENCE & TECHNOLOGY CO., LTD

Unit 301, No.1734, Gangzhong Road, Xiamen Free Trade Zone, China.

sales@sprolink.com +86 592 556 5698 www.sprolink.com