

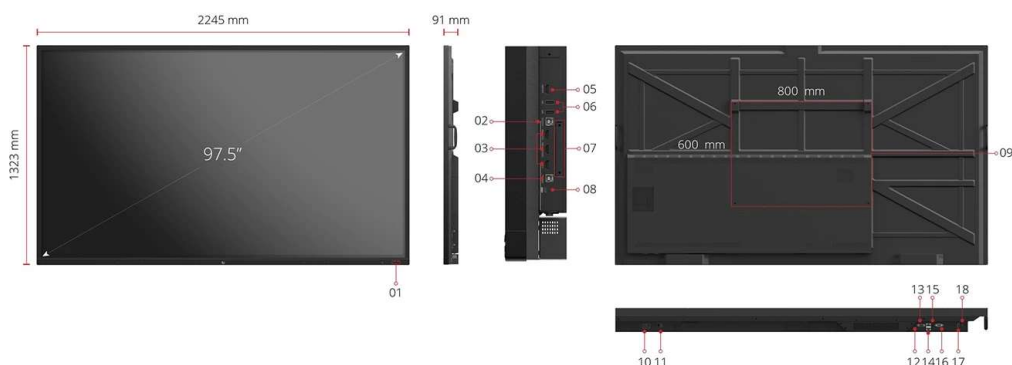
Key Features

- Natural pen-on-paper writing experience with Ultra Fine Touch technology
- Seamless plug-and-present connectivity via USB-C
- Native whiteboarding software for seamless annotation and collaboration
- Wireless content sharing and 4-way split screen for multiple contributors
- myViewBoard Manager for simplified and centralized display management



Product Description

The ViewBoard® 50-4 is a sleek 98" 4K interactive display purpose-built for seamless presentation in corporate and educational spaces. Simply connect your laptop or tablet via a single USB-C cable for instant and effortless presentation functionality. Annotate and collaborate in real-time using integrated myViewBoard® digital whiteboarding software and enjoy a naturally smooth writing experience supported by Ultra Fine Touch technology and dual fine-tipped pens for digital accuracy. And to allow multiple contributors within a single presentation, ViewBoard® Cast offers single sign-on wireless content sharing with up to a 4-way split screen. Encased in a stylishly slim bezel, the ViewBoard® 50-4 not only elevates any room, but also empowers IT teams with myViewBoard® Manager, a web-based remote management system, for simplified and centralized display management from anywhere, anytime.



1. USB 2.0
2. Touch
3. HDMI In
4. Touch
5. HDMI Out
6. USB 3.0
7. Wi-Fi Module Slot

8. USB Type-C
9. VESA® Wall Mount(800x600mm)
10. Power In
11. Power Switch
12. Audio out
13. RS-232
14. LAN

15. Audio In
16. VGA
17. USB 2.0
18. SPDIF

Visit Us ■ www.viewsonic.com

DISPLAY

Panel Size:	98"
Panel Type:	TFT LCD Module with DLED Backlight
Display Area (mm):	2171.85(H) x 1232.35(V) (97.52"diagonal)
Aspect Ratio:	16:9
Resolution:	UHD 3840x2160(Pixels)
Colors:	1.07B colors (10bit)
Brightness:	350 nits (typ.)
Contrast Ratio:	DCR: 3000:1
Response Time:	8ms(TYP.)
Viewing Angles:	H = 178, V = 178typ.
Backlight Life:	30,000 Hours (Min)
Surface Treatment:	Anti-glare

PLATFORM

Processor:	ARM Cortex A73*4
RAM:	4GB DDR4
Storage:	32GB

TOUCH

Type/ Tech:	Ultra fine touch technology
Touch Resolution:	32768 ×32768
Touch Point:	20 points touch, 10 points writing

INPUT

HDMI:	HDMI 2.0 x3 (3840x2160 @60Hz)
RGB / VGA:	x 1
Audio:	x 1
RS232:	x 1
OPS:	X1 PC Slot
WiFi:	x 1 WiFi Slot

OUTPUT

HDMI:	HDMI out 2.0 x1 (3840x2160 @60Hz)
Audio:	3.5mm * 1
SPDIF:	x1

LAN

RJ45:	x2
-------	----

USB

Type A:	USB2.0 x 1USB3.0 x 4
Type B:	x2, for touch
Type C:	x1

SPEAKERS

16Wx2

TOP CAMERA PLATE

YES

COMPATIBILITY

RGB PC/HDMI PC:	1920x1080
HDMI:	4K 60Hz/30Hz/1080p

EMBEDDED OS

Android 9

BUNDLE SOFTWARE

Basic Annotation Software:	myViewBoard for android
Pro Annotation Software:	myViewBoard for windows (Embedded in Windows Slot-in PC)
Wireless Presentation:	Viewboard Cast

SPECIAL FEATURES

All-in-one USB port:	Front "SmartPort USB" to all channels.
Simple LAN sharing between IFP and slot-in device:	Yes
Light Sensor:	Yes

POWER

Voltage:	100-240VAC +/- 10% Wide Range
Consumption:	On mode: 192.5W, Off mode< 0.5W

ERGONOMICS

Wall Mount (VESA®):	800*600
----------------------	---------

OPERATING CONDITIONS

Temperature (° C):	0°C to 40°C
Humidity:	10% ~ 90% RH non-condensing

DIMENSIONS (W X H X D)

Physical (inch / mm):	88.4 x 52.1 x 3.6 in /2245 x 1323 x 91 mm
Packaging (inch / mm):	95.9 x 58.8 x 13.6 in / 2435 x 1483 x 346 mm

WEIGHT

Net (lb / kg):	228.4lb / 103.6kg
Gross (lb / kg):	293.7lb / 133.2kg

REGULATIONS

FCC, cTUVus, EPEAT, ES8, LBL, CE, CB, RCM

PACKAGE CONTENTS

1. Power cord
2. Remote control with AAA battery
3. USB cable for touch
4. Touch pen x 2
5. Quick Start Guide
6. RS232 adapter
7. Clamp x 5
8. Camera plate
9. Screw x 8
10. HDMI cable
11. USB Type-C cable

COMPATIBLE SLOT-IN PC

VPC12-WPO series/VPC25-O series/VPC27-O series
--