

Highlights:

- 20° incline angle
- Modern and elegant design
- 1" Compression horn tweeter
- High efficiency 8" Mid/low woofer
- Tweeter protection circuitry
- 2 x Speaker connector (Linkthrough)
- Vertical and horizontal mounting (rotatable logo)
- Zinc alloy mounting bracket included

Product information:

The VEXO8 is a high-output loudspeaker cabinet, featuring an 8" high efficiency mid/low range driver and 1" compression driver fitted with a 100° x 80° coverage horn, providing a powerful and detailed sound in a compact cabinet.

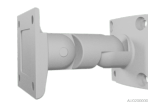
The exceptional accuracy and clarity coming from this compact cabinet are recommended to be extended with a complementary bass cabinet adding the punchy & deep bass, resulting in a stunning sound over the entire frequency range. Their elegant enclosure allows them to be used in modern & trendy installation applications such as bars and nightclubs, while their functional features make them perfect for use in compact mobile systems.

It delivers a powerful full-range sound with an RMS rating of 175 Watt and a maximum of 350 Watt. Compression driver overload protection is provided through an internal limiting circuit. Connections are made using two speaker connectors allowing link through to other cabinets.

Mounting in both horizontal and vertical direction, up to 20°, is possible with the included wall bracket and the rotatable horn. An optional 35mm pole adapter can be installed when used in mobile applications.

Applications:

- Sporting facilities
- Hotels
- Clubs
- Bars & Restaurants



Properties:

 Rotatable

Impedance:

Ω 8 Ohm

System specifications:

Speaker type		2-way
Peak power handling		700 W
Program power handling		350 W
RMS/AES power handling		175 W
Impedance		8 Ω
Sensitivity (1W/1m)		92 dB
Sound Pressure (Max. W/1m)		115 dB
Frequency	Response (\pm 3 dB)	65 Hz - 20 kHz
	Range (-10 dB)	55 Hz - 20 kHz
Crossover	Frequency	1.25 kHz
	Type	Passive built-in
Dispersion	Horizontal	100°
	Vertical	80°
Connectors		2 x Speaker connector (Linkthrough)
Drivers	HF	1" Compression driver
	MF	8"
	LF	8"

Product Features:

Dimensions		250 x 380 x 262 mm (W x H x D)
Weight		9.700 kg
Construction		Medium Density Fibreboard with structured coating
Front finish		Steel grill
Mounting & handling		2-way Revolving mounting bracket
		Optional 35 mm pole adapter
Colours		Black (RAL9004) (VEXO8/B)
		White (RAL9003) (VEXO8/W)
Operating temperature		-20 °C ~ 60 °C
Accessories	Included	2-way Revolving mounting bracket
	Optional	WBP100 Wall bracket mounting plate
		CHB196 35 mm pole adapter

Variants:

- VEXO8/B - Black
- VEXO8/W - White

Shipping & Ordering:

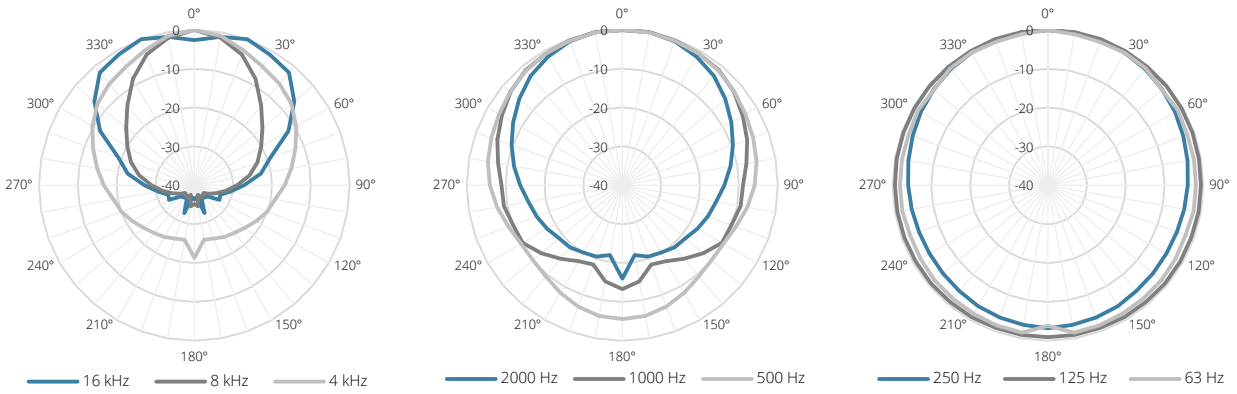
Packaging	Cardboard box
Shipping weight & volume	10.600 kg - 0.05 Cbm

Architects' and Engineers' Specifications:

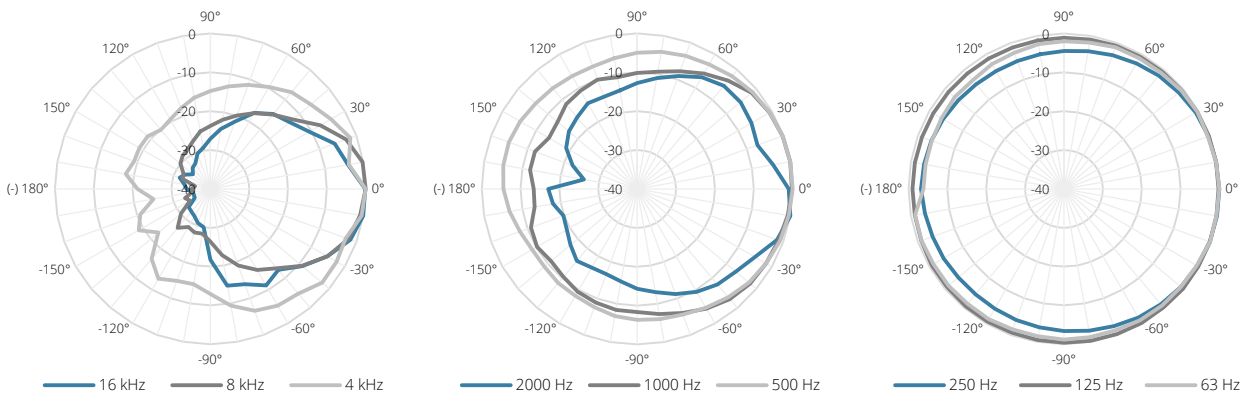
The loudspeaker shall be a 2-way high-power system, incorporating a high-efficiency 8" mid/low woofer and 1" compression horn tweeter. It shall have an RMS power handling of 175 Watt with a maximum power handling of 350 Watt and the frequency response (± 3 dB) shall range from 65 Hz to 20 kHz. The sensitivity shall be 92 dB when measuring with an input signal of 1 Watt at a distance of 1 meter, while the maximum continuous sound pressure level shall be 115 dB. The loudspeaker shall have an impedance of 8 Ohm and contain a passive built-in crossover network with crossover frequency of 1250Hz, which is constructed of high-quality components. It shall have a curved enclosure constructed out of medium density wood with a textured and scratch resistant paintwork finish. The front finishing shall be made with a curved and overlapping front grill, giving a slim and elegant impression. It shall be wall mountable in both horizontal and vertical position using a 1" compression driver with rotatable 100° x 80° coverage horn and an included 2-way revolving mounting bracket, which enables aiming into any direction. An additional drop safety cable shall be provided. It will be possible to install an optional wall bracket mounting plate for mounting on surfaces such as brick, drywall, etc. Space for an optional 35mm pole adaptor shall be provided improving the flexibility when used in mobile applications and connections shall be made using two Speakon compatible connectors, allowing parallel linkthrough to other loudspeakers. The full range system's enclosure shall be 380 mm high, 250 mm wide and 262 mm deep and the weight shall not exceed 9.7 Kg.

Acoustical data graphs:

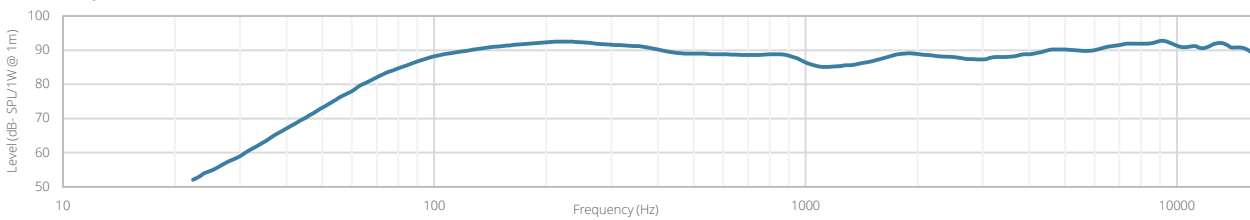
Horizontal Polars:



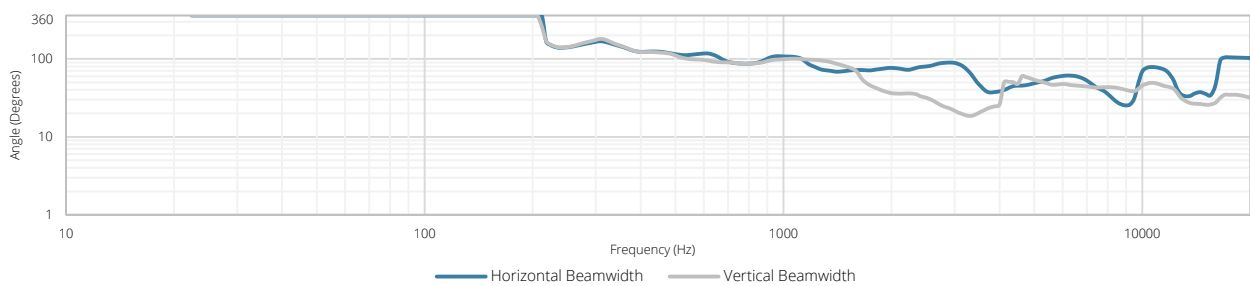
Vertical Polars:



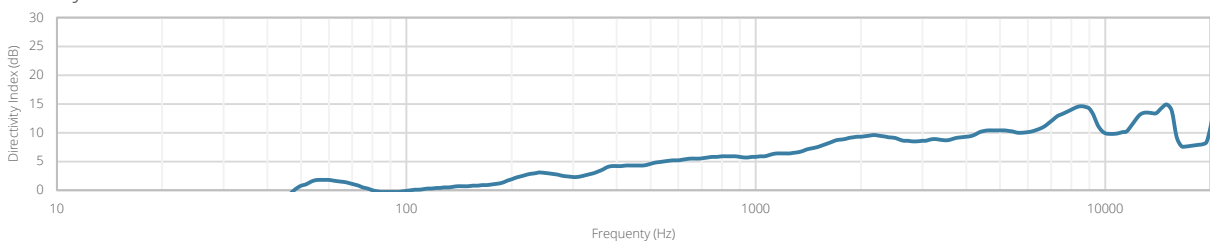
Sensitivity:

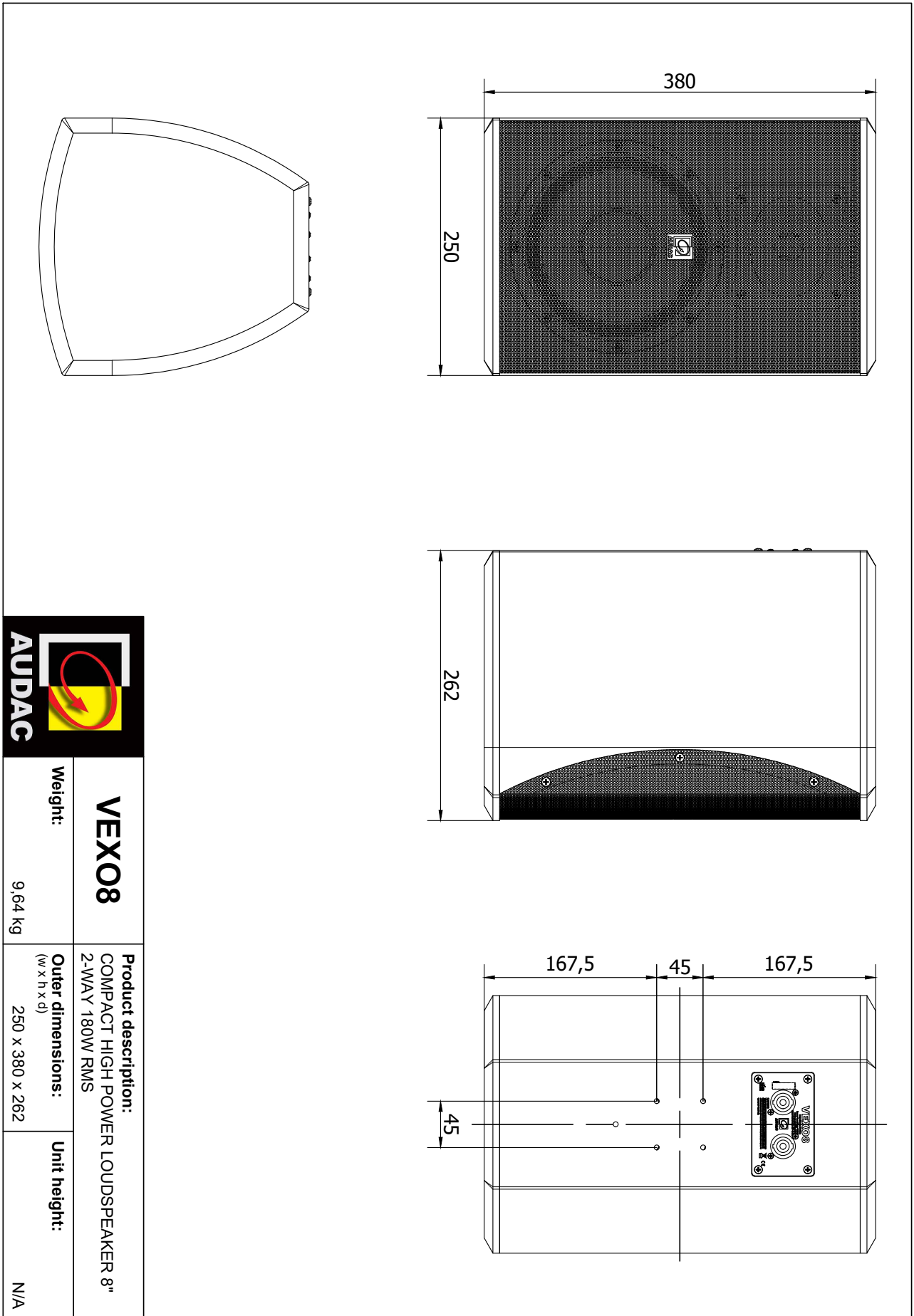


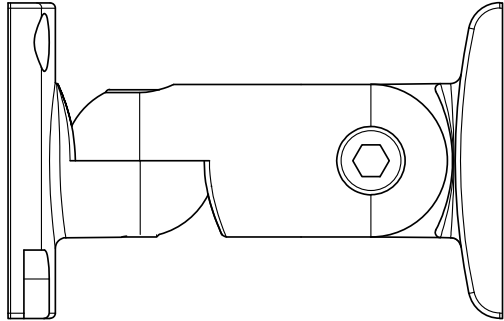
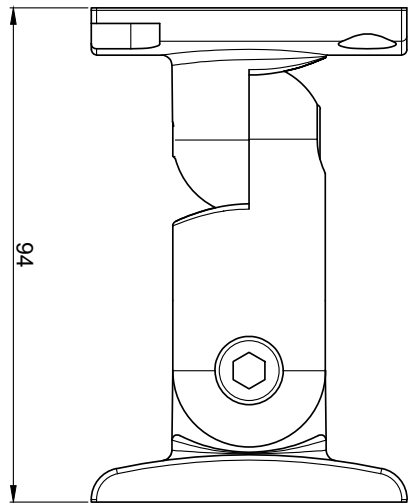
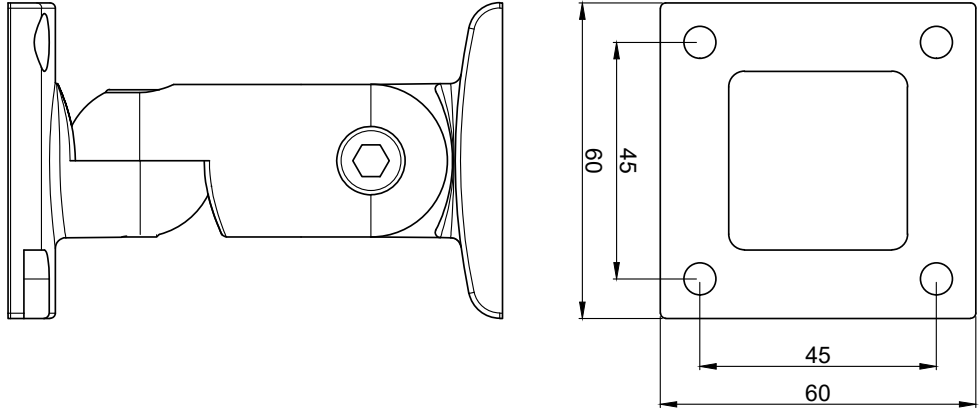
Beamwidth (-3dB):




Directivity index:







		
Weight: 0,58 kg	XENO & VEXO Bracket	Product description: WALL MOUNTING BRACKET FOR XENO AND VEXO SERIES
Outer dimensions: (w x h x d) 60 x 60 x 94	Unit height: N/A	