



ADJUSTABLE  
 CEILING DROP

# BT8420

## ADJUSTABLE DROP FLAT SCREEN CEILING MOUNT

Designed to ceiling mount screens up to 25kg, the BT8420 features an adjustable drop of 625mm - 950mm in increments of 25mm. The mount is suitable for screens with VESA patterns up to 200mm x 200mm. Locking screws are included to help prevent unauthorised removal of the screen. Cover plates are supplied for a neat and tidy installation.

### SPECIFICATION

Recommended screen size	up to 47"
Max Load	25kg
VESA® compatibility	up to 200 x 200
Screen tilt	+ / - 40°
Ceiling drop	Min. 600mm - Max. 1000mm*
Colour	Black

\*From the ceiling to the centre of the mount

### FEATURES

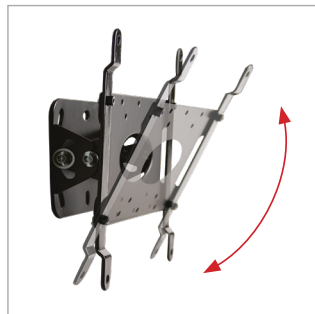
- Fits screens with VESA mounting patterns: 75 x 75mm, 100 x 100mm, 200 x 100mm and 200 x 200mm
- Easy tilt adjustment
- Tool-less adjustable ceiling drop in increments of 25mm
- Includes security locking screws and Allen key to prevent unauthorised removal of the screen
- Suitable for landscape or portrait mounting
- Integrated cable management
- Simple 'hook-on' installation with all mounting hardware included



47" 120cm | VESA 200 | 25KG | 40° 40° | [Screen Orientation Icon]



Quick and easy 'push button' height adjustment



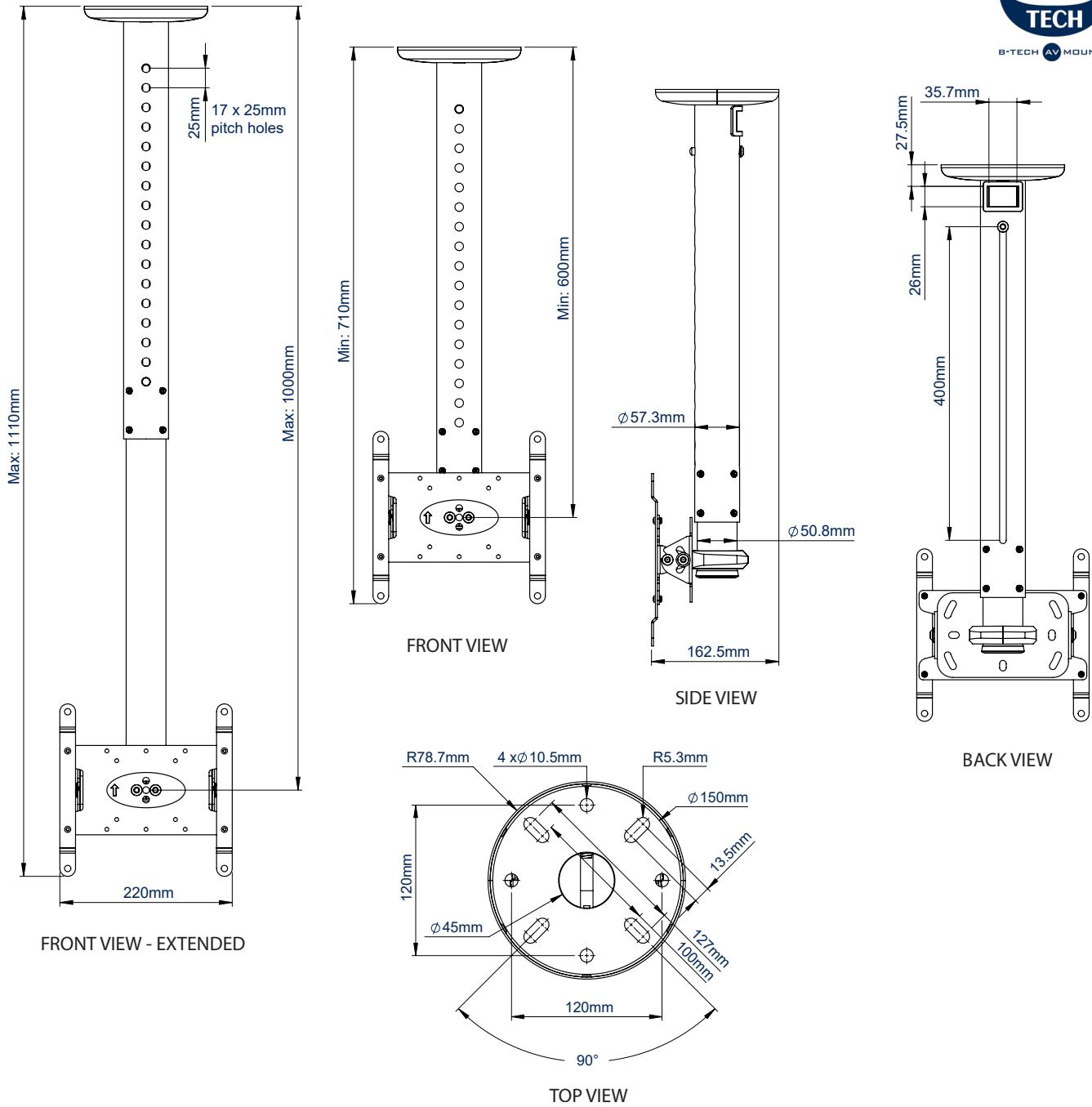
Easy tilt adjustment



Security locking screws provided

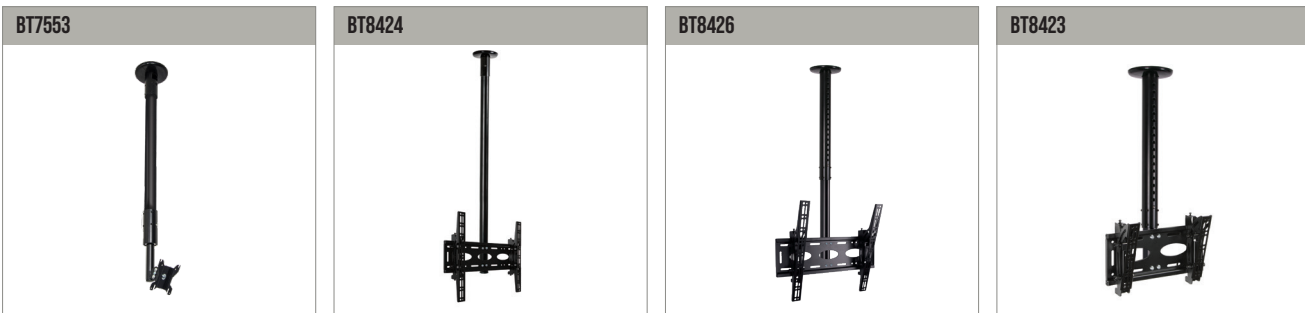


Simple 'hook-on' installation



PACKING INFORMATION			ORIGINAL DESIGNS BY B-TECH AV MOUNTS - REGISTERED DESIGNS & PATENTS APPLY			
COLOUR:	ORDER REF:	EAN CODE:	MASTER CARTON QTY:	MASTER CARTON WEIGHT:	MASTER CARTON CUBE:	
BLACK	BT8420/B	5019318303470	2	3.5KG / 1.2KG	0.016CBM / 0.0014CBM	

RELATED PRODUCTS



BT7553 Flat Screen Ceiling Mount with tilt and swivel

BT8424 Universal Flat Screen Mount with Tilt for screens up to 65°

BT8426 Adjustable Drop Universal Flat Screen Ceiling Mount with tilt

BT8423 Adjustable Drop Universal Flat Screen Ceiling Mount with tilt

© 2015 B-Tech Limited. Design of this product is the property of B-Tech Limited. All rights reserved. No part of this publication may be reproduced, stored in a retrieval system, or transmitted, in any form or by any means, electronic, mechanical, photocopying, recording, or by any information storage and retrieval system, without the prior written permission of B-Tech Limited. The information in this specification does not constitute an offer of insurance. B-Tech Limited is not liable for loss or damage caused by improper or misuse of the product. Any reproduction or transmission of any part of this specification is strictly prohibited, unless prior written permission has been granted by B-Tech Limited.

SS-BT-8420-250821