

QUATRO29

Aluminium square truss

ISO DIN 4113 and TÜV certified.

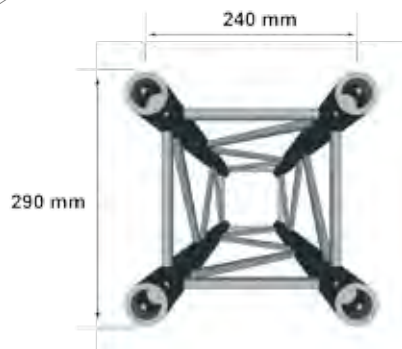
Made of 50mm aluminium alloy (EN AW 6082 T6, diameter 50 mm, thickness 2 mm) .

Square structure allowing heavier loads, with conical connectors.

- Width 290 mm.
- Tube diametre: 50 mm, thread: 16 mm.

This structure is supplied with :

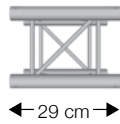
- 1 x connection kit per truss
- 1 x connection kit per 2-direction angle
- 2 x connection kit per 3, 4 and 5-direction angle



146

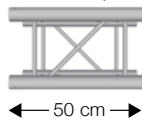
QUA29-029

ref 10118



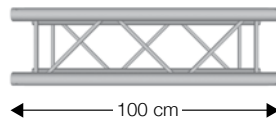
QUA29-050

ref 10049



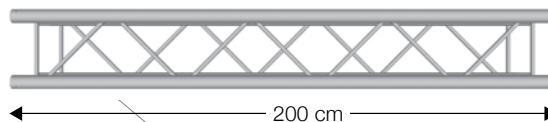
QUA29-100

ref 10050



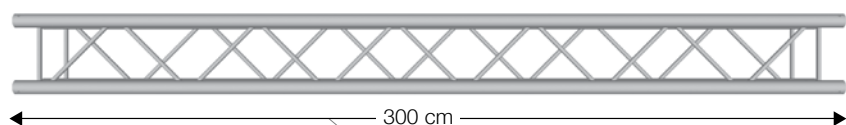
QUA29-200

ref 10051



QUA29-300

ref 10052








LENGTH (M)		4	6	8	10	12	14	16
Max load (center) (kg)		1167	769	568	445	361	299	252
Distortion (mm)		12,5	28,2	50,3	79,1	114,5	157,0	206,8
Max distributed load (kg/m)		449	256	142	89	60	43	32
Distortion (mm)		12	35,1	62,4	97,5	140,3	191,0	249,5

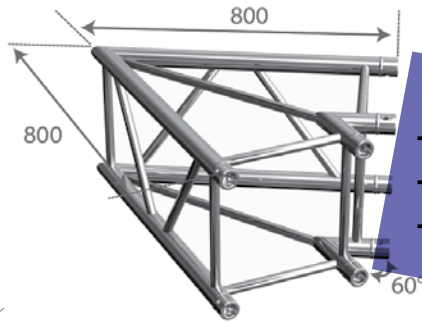
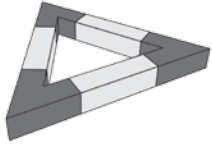
Table loads indicate the maximum load-bearing capacity between two fixation points.
Centered and distributed loads cannot be cumulated. Talk to a qualified engineer for more information.

Contestage / Aluminium square truss

Contest® 


Contestage

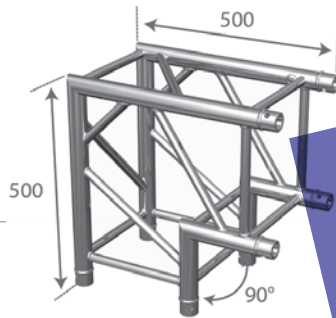
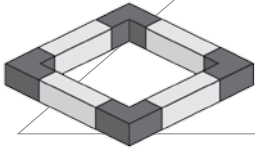
ANGLE CONNECTION KITS



- + Quatro angle
- + 2 directions
- + 80 cm 60°

AGQUA-01

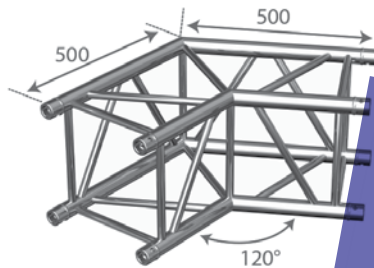
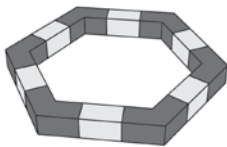
ref 10053



- + Quatro angle
- + 2 directions
- + 50 cm 90°

AGQUA-02

ref 10054



- + Quatro angle
- + 2 directions
- + 50 cm 120°

AGQUA-03

ref 10055

147



QUATRO29

SCENE

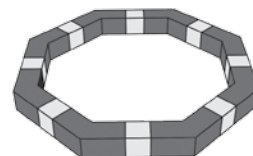
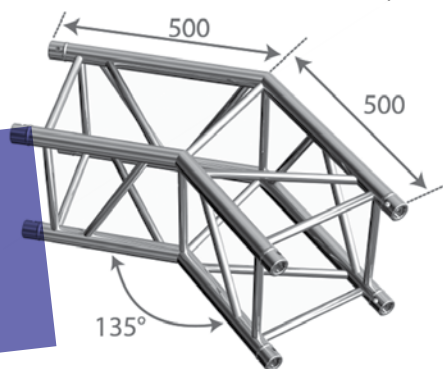
3 m square truss

ANGLE CONNECTION KITS

AGQUA-04

ref 10056

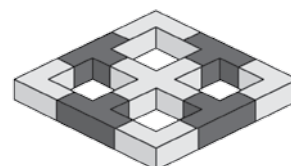
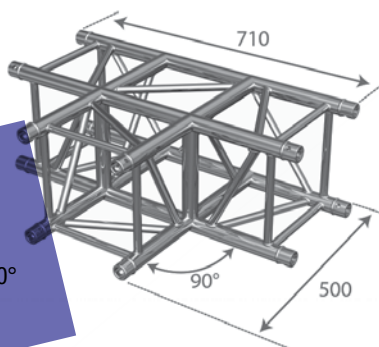
- + Quatro angle
- + 2 directions
- + 50 cm 135°



AGQUA-05

ref 10057

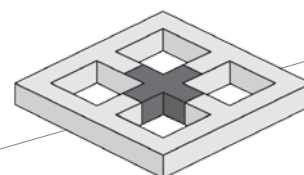
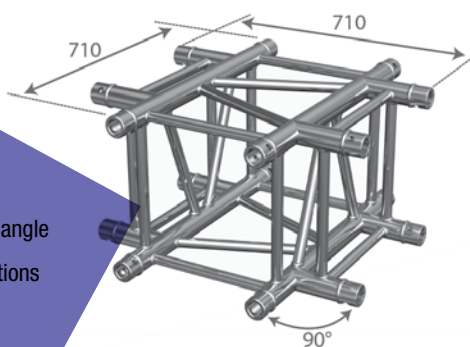
- + Quatro angle
- + 3 directions 90°



AGQUA-06

ref 10058

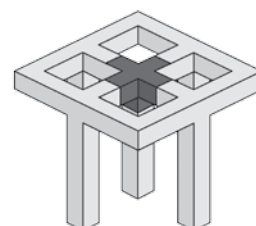
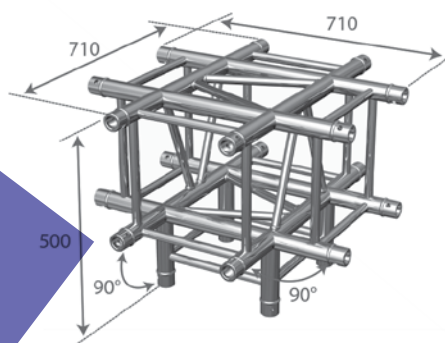
- + Quatro angle
- + 4 directions



AGQUA-07

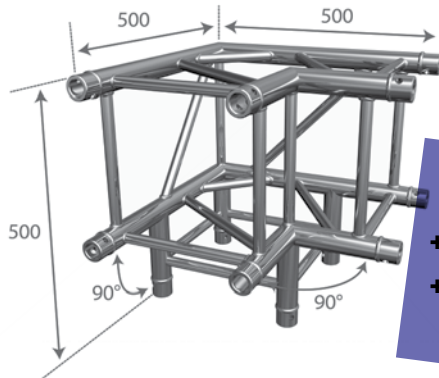
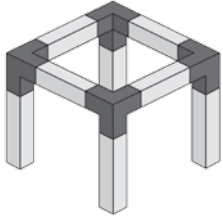
ref 10059

- + Quatro connection kit
- + 5 directions





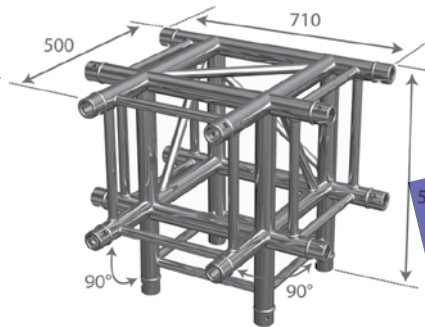
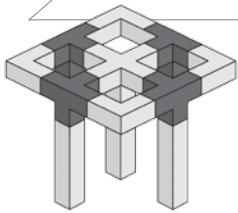
ANGLE CONNECTION KITS



AGQUA-09

ref 10061

- + Quatro side piece
- + 3 directions



AGQUA-10

ref 10062

- + Quatro side piece
- + 4 directions

QUATRO ACCESSORIES

MCQUA-KIT

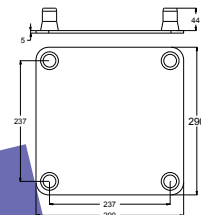
ref 10063

- + 4 connectors, 8 pins and 8 safety pins kit



EMQUA-B1

ref 10064



- + QUATRO baseplate with connectors