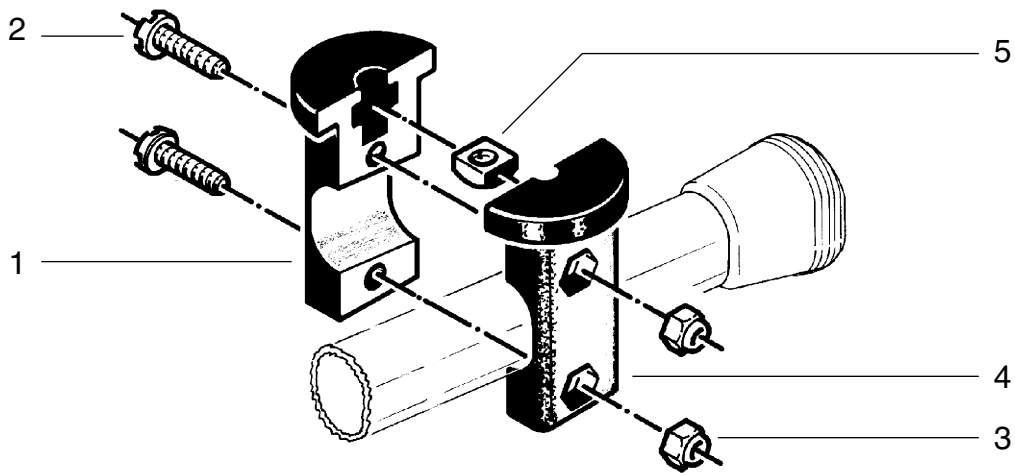


**14301 Peg Holder**

14301.000.55 black



pos.	description	art.-no.	qty
1	plastic peg holder part right	01.86.995.55	1
2	countersunk head screw M4 x 16 mm	03.05.130.01	2
3	locking nut M4	03.08.120.29	2
4	plastic peg holder part left	01.85.996.55	1
5	locking nut M5	03.08.210.29	1