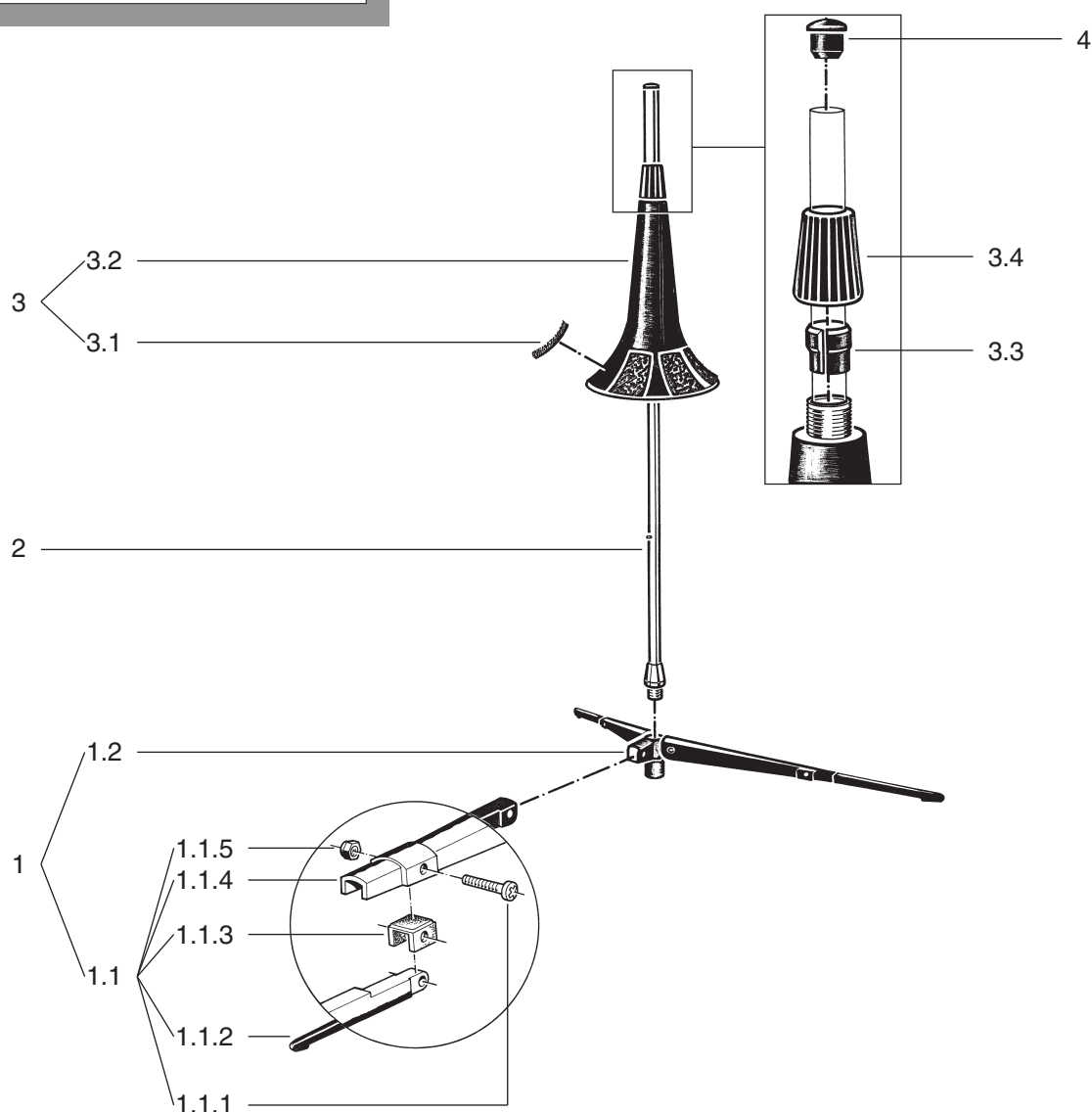


15270 Trombone Stand

15270.000.55 black



pos.	description	art.-no.	qty
1	base complete, consisting of:	7.152.700155	1
1.1	leg complete, consisting of:	7.152.700255	3
1.1.1	countersunk head screw M3 x 20 mm	03.05.060.29	1
1.1.2	folding leg	02.41.300.55	1
1.1.3	plastic locking spacer	01.86.600.55	1
1.1.4	leg	02.41.305.55	1
1.1.5	locking nut M3	03.08.080.29	1
1.2	socket	02.41.095.55	1
2	rod combination complete	7.152.700301	1
3	plastic peg complete, consisting of:	7.152.700455	1
3.1	feld pad	03.21.573.55	6
3.2	plastic peg	01.84.385.55	1
3.3	plastic ring	01.86.820.55	1
3.4	plastic tightening sleeve	01.86.930.55	1
4	end cap	01.87.115.55	1