

## 10. Maintenance and cleaning

It is absolutely essential that the fixture is kept clean and that dust, dirt and smoke-fluid residues must not build up on or within the fixture. Otherwise, the fixture's light-output will be significantly reduced. Regular cleaning will not only ensure the maximum light-output, but will also allow the fixture to function reliably throughout its life. A soft lint-free cloth moistened with any good glass cleaning fluid is recommended, under no circumstances should alcohol or solvents be used!

**DANGER !**  
**Disconnect from the mains before starting any maintenance work**

The front objective lens will require weekly cleaning as smoke-fluid tends to building up residues, reducing the light-output very quickly. The cooling-fans should be cleaned monthly.

The interior of the fixture should be cleaned at least annually using a vacuum-cleaner or an air-jet. Dichroic colour filters, CMY lamellas, gobo and graphic wheels and the internal lenses should be cleaned monthly. Remove dust and dirt from the fans and cooling vents using a soft brush and vacuum-cleaner.

Important! Check the air filters periodically and clean before they become clogged!

Clean two air filters placed in the fixture's covers and two in the fixture base. Use a vacuum cleaner, compressed air or you can wash them and put back dry.

After replacing the air filters, reset the elapsed time counter in the menu "Information" (Information---->Air Filters--->Elapsed Time).

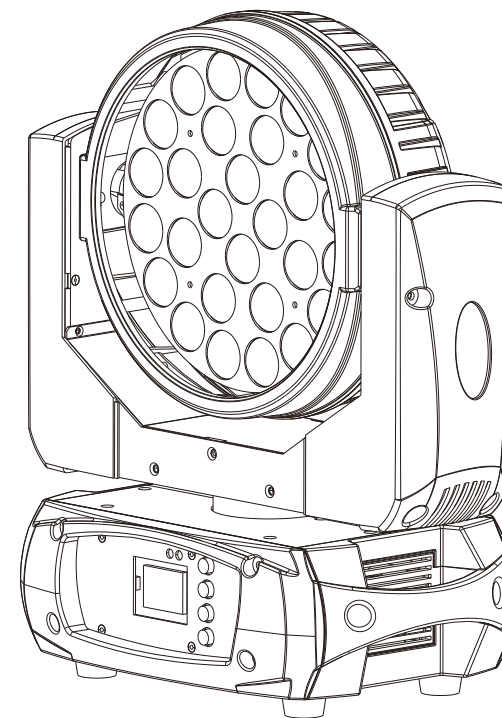
Replacing the fuse. Before replacing the fuse, unplug mains lead.

- 1) Remove the fuse holder on the rear panel of the base with a fitting screwdriver from the housing (anti-clockwise).
- 2) Remove the old fuse from the fuse holder.
- 3) Install the new fuse in the fuse holder (only the same type and rating).
- 4) Replace the fuseholder in the housing and fix it.

# FOS

technologies

## FOS IQ 28x12



Version 1.0

## USER MANUAL

- Be sure to read the USER MANUAL carefully before using this product.
- Be sure to keep the USER MANUAL properly for future needs.
- Use this product correctly when you can fully understand the User Manual

## 1.Safety instructions

Thank you for choosing our FOS IQ 28x12. FOR YOUR OWN SAFETY, PLEASE READ THIS USER MANUAL CAREFULLY BEFORE YOU INITIAL START - UP!

**CAUTION!**  
**Be careful with your operations.**  
**With a high voltage you can suffer a dangerous electric shock when touching the wires!**

This device has left our premises in absolutely perfect condition. In order to maintain this condition and to ensure a safe operation, it is absolutely necessary for the user to follow the safety instructions and warning notes written in this manual.

**CAUTION!**  
**Keep this device away from rain and moisture!**  
**Unplug mains lead before opening the housing!**

**Important:**

The manufacturer will not accept liability for any resulting damages caused by the non-observance of this manual or any unauthorized modification to the device.

Please consider that damages caused by manual modifications to the device are not subject to warranty.

During the operation the housing becomes hot). Allow the fixture to cool approximately 20 minutes prior to manipulate with it.

Make sure that the available voltage is not higher than stated on the rear panel.

WARNING! This unit does not contain an ON/OFF switch. Always disconnect power input cable to completely remove power from unit when not in use or before cleaning or servicing the fixture.

Make sure that the power-cord is never crimped or damaged by sharp edges. Check the device and the power-cord from time to time.

Always disconnect from the mains, when the device is not in use or before cleaning it. Only handle the power-cord by the plug. Never pull out the plug by tugging the power cord.

This device falls under protection class I. Therefore it is essential to connect the yellow/green conductor to earth.

The electric connection, repairs and servicing must be carried out by a qualified employee.

Do not connect this device to a dimmer pack.

Do not switch the fixture on and off in short intervals as this would reduce the lamp's life.

During the initial start-up some smoke or smell may arise. This is a normal process and does not necessarily mean that the device is defective.

Do not touch the device's housing bare hands during its operation (housing becomes hot)!

For replacement use lamps and fuses of same type and rating only.

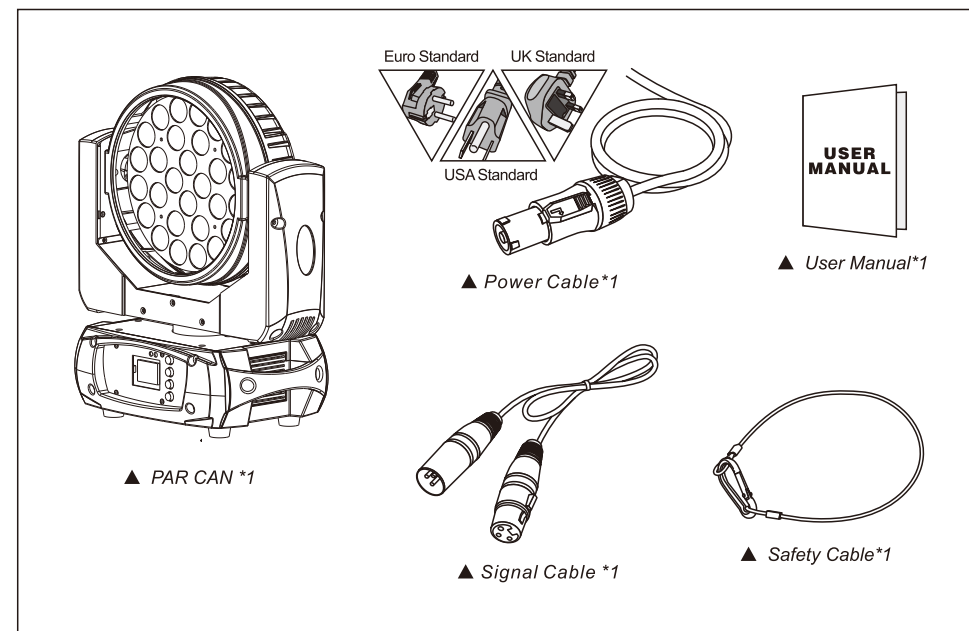
**CAUTION ! EYE DAMAGES !**  
**Avoid looking directly into the light source**  
**(meant especially for epileptics) !**

14	30	0..15	<b>Color Temp</b> No Function
		16..45	Below 3200K
		46..75	3200K - 3500K
		76..105	3500K - 5000K
		106..135	5000K - 5500K
		136..165	5500K - 6000K
		166..195	6000K - 6500K
		196..225	6500K - 7000K
		226..255	7000K - 8000K
		15	31
16..31	Macro Run 1		
32..47	Macro Run 2		
48..63	Macro Run 3		
64..79	Macro Run 4		
80..95	Macro Run 5		
96..111	Macro Run 6		
112..127	Macro Run 7		
128..143	Macro Run 8		
144..159	Macro Sound 1		
160..175	Macro Sound 2		
176..191	Macro Sound 3		
192..207	Macro Sound 4		
208..223	Macro Sound 5		
224..239	Macro Sound 6		
240..255	Macro Sound 7		
16	32	0..255	<b>Macro Speed</b> Macro Speed from Slow To Fast
		0..15	<b>Dynamic Rotate</b> No function
17	33	16..31	Dynamic Rotate 1
		32..47	Dynamic Rotate 2
		48..63	Dynamic Rotate 3
		64..79	Dynamic Rotate 4
		80..95	Dynamic Rotate 5
		96..111	Dynamic Rotate 6
		112..127	Dynamic Rotate 7
		128..143	Dynamic Rotate 8
		144..159	Dynamic Rotate 9
		160..175	Dynamic Rotate 10
		176..191	Dynamic Rotate 11
		192..207	Dynamic Rotate 12
		208..223	Dynamic Rotate 13
		224..239	Dynamic Rotate 14
		240..255	Dynamic Rotate 15
		18	34
0..19	<b>Special function</b> No function		
19	35	20..39	No function
		40..59	Enter power saving mode
		60..79	Exit power saving mode
		80..84	All Motor reset
		85..94	SCAN Motor Reset
		95..99	Zoom Motor Reset
		100..119	Internal program 1
		120..139	Internal program 2
		140..159	Internal program 3
		160..179	Internal program 4
		180..199	Internal program 5
		200..219	Internal program 6
		220..239	Internal program 7
		240..255	Internal Sound program 1

13	13	0..255	<b>Red1</b> Red in pixel 1 saturation control (0-100%)	
	14	0..255	<b>Green1</b> Red in pixel 1 saturation control (0-100%)	
	15	0..255	<b>Blue1</b> Red in pixel 1 saturation control (0-100%)	
	16	0..255	<b>White1</b> Red in pixel 1 saturation control (0-100%)	
	17	0..255	<b>Red2</b> Red in pixel 2 saturation control (0-100%)	
	18	0..255	<b>Green2</b> Red in pixel 2 saturation control (0-100%)	
	19	0..255	<b>Blue2</b> Red in pixel 2 saturation control (0-100%)	
	20	0..255	<b>White2</b> Red in pixel 2 saturation control (0-100%)	
	21	0..255	<b>Red3</b> Red in pixel 3 saturation control (0-100%)	
	22	0..255	<b>Green3</b> Red in pixel 3 saturation control (0-100%)	
	23	0..255	<b>Blue3</b> Red in pixel 3 saturation control (0-100%)	
	24	0..255	<b>White3</b> Red in pixel 3 saturation control (0-100%)	
	25	0..255	<b>Red4</b> Red in pixel 4 saturation control (0-100%)	
	26	0..255	<b>Green4</b> Red in pixel 4 saturation control (0-100%)	
	27	0..255	<b>Blue4</b> Red in pixel 4 saturation control (0-100%)	
	28	0..255	<b>White4</b> Red in pixel 4 saturation control (0-100%)	
	13	29		<b>Macro Color</b>
			0..15	No Function
			16..31	Red
			32..47	Green
			48..63	Blue
			64..79	White
			80..95	Red+Green
			96..111	Red+Blue
			112..127	Red+White
			128..143	Green+Blue
			144..159	Green+White
			160..175	Blue+White
176..191			R+G+B	
192..207			R+G+B+W	
208..212			2700K	
213..217			3200K	
218..222			3500K	
223..227			5000K	
228..232	5500K			
233..237	6000K			
238..242	6500K			
243..247	7000K			
248..255	8000K			

## 2.UNPACKING

FOS IQ 28x12 adopts 28 x 12W 4-IN-1 RGBW LEDs which features high brightness and stability. Please carefully unpack it when you receive the fixture and check whether it is damaged during the transportation. And please check whether the following items are included inside the box:



FOS IQ 28x12 is made of a new type of high temperature strength of engineering plastics and cast aluminum casing with nice outlook. The fixture is designed and manufactured strictly following CE standards, complying with international standard DMX512 protocol. It's available independently controlled and linkable with each other for operation. And it is applicable for large-scale live performances, theater, studio, nightclubs and discos.

This manual covers the important information on installation and applications. Meanwhile, please keep this manual well for future needs.

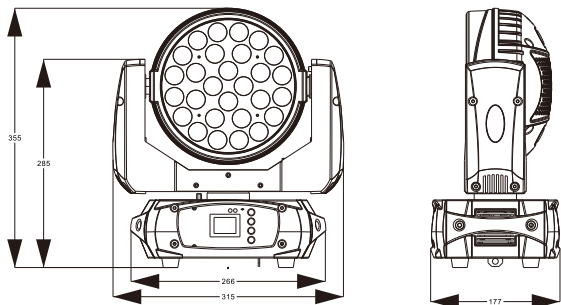
### 3. TECHNICAL INFORMATION

**SPECIFICATIONS**

- Powered by 28 x 12W 4-IN-1 RGBW LEDs
- Input Voltage: AC90-260V 50-60Hz
- Power Consumption: 215W
- Group pixel control
- Control Signal:DMX512, master-slave and sound activated
- Control Channel: 19/35 DMX Channels USITT DMX-512
- Dimensions: 315(D)\*177(W)\*355(H)mm
- Packing Dimensions: 330(D)\*230(W)\*320(H)mm
- Net Weight: 5.64kgs
- Gross Weight: 6.84kgs

**FEATURES:**

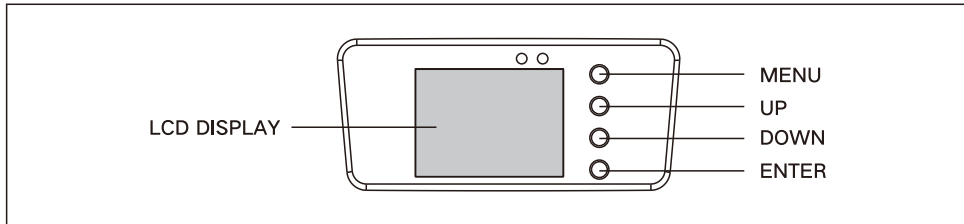
- Low power consumption
- 8/16 bit smooth and precise resolution for PAN/TILT movement
- 50,000 hours life span and low power consumption
- Engineering grade nylon plastic, flame retardant and corrosion resistant
- Cooling system
- 12-60°Smooth electronic linear zoom
- CTB and CTO, linear colour temperature 2800K-8000K changable
- 16.7million additive RGBW colors whit full saturation control
- Built-in programs that could be called up via a DMX controller
- 25t/s strobe effect and pulse strobe effect
- 0-100% electronic dimming
- 1.44' TFT LCD display
- POWERCON connector IN
- 3-Pin XLR connectors IN/OUT
- Overheat protection
- -35 ° C ~ 45 ° C max ambient temperature



### 9. DMX PROTOCOL

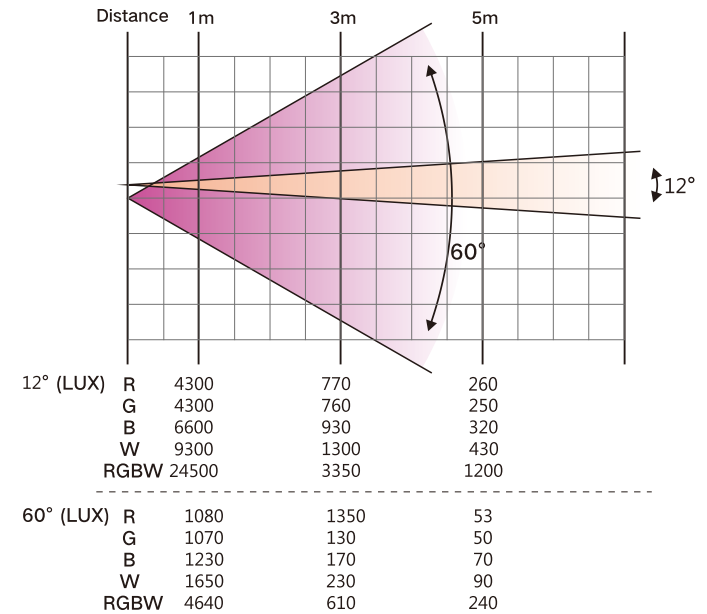
Mode/Channel		Value	Function
CH19	CH35		
1	1		<b>Dimmer</b>
		0..255	Dimmer 0%...100%
2	2		<b>Shutter</b>
		0..31	Shutter closed
		32..63	shutter open
		64..95	Strobe effect slow to fast
		96..127	shutter open
		128..159	Pulse-effect in sequences slow to fast
		160..191	shutter open
		192..223	Random strobe effect slow to fast
	224..255	shutter open	
3	3		<b>Pan</b>
		0..255	PAN Movement
4	4		<b>Pan-fine</b>
		0..255	Fine control of Pan movement
5	5		<b>Tilt</b>
		0..255	Tilt Movement
6	6		<b>Tile-fine</b>
		0..255	Fine control of Tilt movement
7	7		<b>Speed pan/tile</b>
		0..225	max to min speed
		226..235	blackout by movement
	236..255	no function	
8	8		<b>Red</b>
		0..255	0-100% Red dimmer from dark to bright
9	9		<b>Green</b>
		0..255	0-100% Green dimmer from dark to bright
10	10		<b>Blue</b>
		0..255	0-100% Blue dimmer from dark to bright
11	11		<b>White</b>
		0..255	0-100% White dimmer from dark to bright
12	12		<b>Focus</b>
		0..255	In(near) to out(far)

### 8.MENU OPERATIONS



MENU			Description
Dmx Addr	A001~AXXX		<b>DMX address setting</b>
Auto Play	Auto Run	Internal Program1~9 Master/Alone	<b>Auto Program</b>
	Music Run	Internal Program1~9 Master/Alone	<b>Music Control</b>
Reset	ALL Reset	On/Off	<b>ALL Reset</b>
	Scan Reset	On/Off	<b>Scan Reset</b>
	Other Reset	On/Off	<b>Zoom Reset</b>
ReversePan	On/Off		<b>Reverse Pan</b>
ReversTilt	On/Off		<b>Reverse Tilt</b>
Special	Reset Default	On/Off	<b>Reset Default</b>
	Calibrat	Code(Password:088)	<b>Calibration Code</b>
	Temperatur	PAN, TILT, ZOOM XXX ° C/ ° F	<b>Calibration of the channel Current Temperature</b>
	Manual Ctrl	PAN=XXX.....	<b>Manual Control</b>
	Mic SET	0~99%	<b>Sensitivity of mic</b>
DMX Mode	CH19		<b>Standard Mode</b>
	CH35		<b>Basic Mode</b>
Scan Degree	PAN Degree	630 ° /540 ° /360 °	<b>Select Pan Degree The default is 540 °</b>
	TILT Degree	270 ° /180 ° /90 °	<b>Select Pan Degree The default is 270 °</b>
Version	V1.0—VXX		<b>software Version:V1.0—VXX</b>

### 4.PHOTOMETRICS DIAGRAM



### 5.OPERATION INSTRUCTIONS

- FOS IQ 28×12 is for wash effect for on-site decoration purpose.
- Don't turn on the fixture if it's been through severe temperature difference like after transportation because it might damage the light due to the environment changes. So make sure to operate the fixture until it is in normal temperature.
- This light should be keep away from strong shaking during any transportation or movement.
- Don't pull up the light by only the head, or it might cause damages to the mechanical parts.
- Don't expose the fixture in overheat, moisture or environment with too much dust when installing it. And
- don't lay any power cables on the floor. Or it might cause electronic shock to the people.
- Make sure the installation place is in good safety condition before installing the fixture.
- Make sure to put the safety chain and check whether the screws are screwed properly when installing the fixture.
- Make sure the lens are in good condition.It's recommended to replace the units if there are any damages or severe scratch.
- Make sure the fixture is operated by qualified personnel who knows the fixture before using.
- Keep the original packages if any second shipment is needed.
- Don't try to change the fixtures without any instruction by the manufacturer or the appointed repairing agencies.
- It is not in warranty range if there are any malfunctions from not following the user manual to operate or any illegal operation, like shock short circuit, electronic shock , lamp broke, etc.

## 6. INSTALLATIONS

### Cautions:

For added protection mount the fixtures in areas outside walking paths, seating areas, or in areas where the fixture might be reached by unauthorized personnel.

Before mounting the fixture to any surface, make sure that the installation area can hold a minimum point load of 10 times the device's weight.

Fixture installation must always be secured with a secondary safety attachment, such as an appropriate safety cable.

Never stand directly below the device when mounting, removing, or servicing the fixture.

from a ceiling, or set on a flat level surface (see illustration below). Be sure this fixture is kept at least 0.5m (1.5 ft) away from any flammable materials (decoration etc.).

Always use and install the supplied safety cable as a safety measure to prevent accidental damage and/or injury in the event the clamp fails.

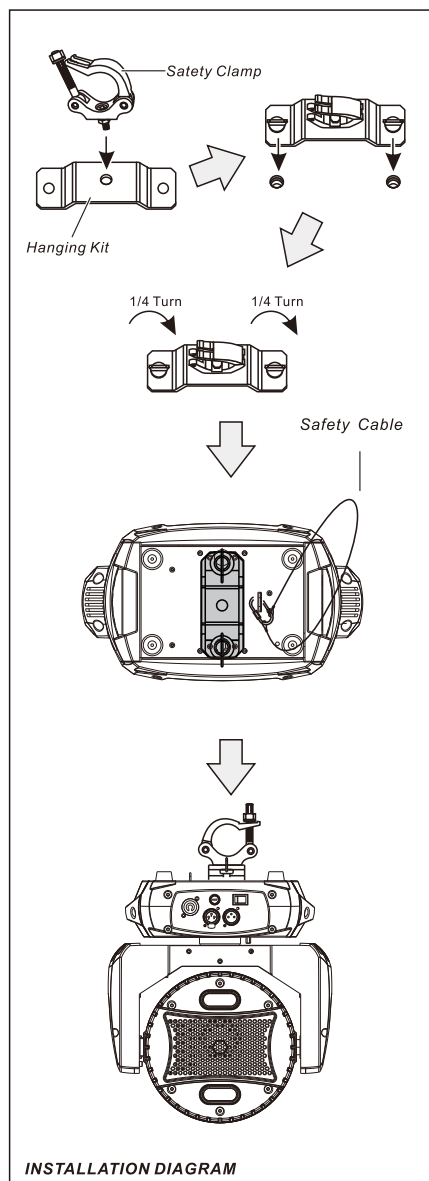
### Mounting points:

Overhead mounting requires extensive experience, including amongst others calculating working load limits, a fine knowledge of the installation material being used, and periodic safety inspection of all installation material and the fixture. If you lack these qualifications, do not attempt the installation yourself. Improper installation can result in bodily injury.

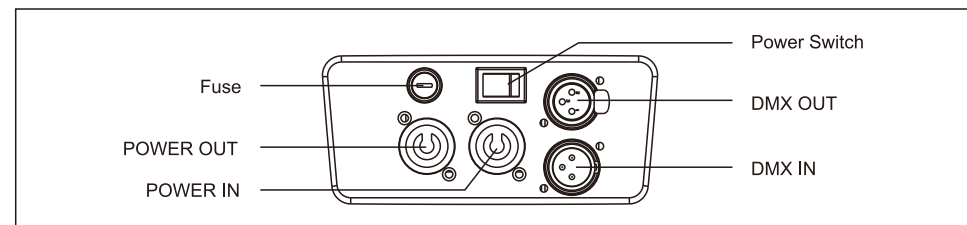
Be sure to complete all rigging and installation procedures before connecting the main power cord to the appropriate wall outlet.

### Clamp Mounting:

The FOS IQ 28x12 provides a unique mounting bracket assembly that integrates the bottom of the base, and the safety cable rigging point in one unit (see the illustration below). When mounting this fixture to truss be sure to secure an appropriately rated clamp to the included omega bracket using a M10 screw fitted through the center hole of the handle. As an added safety measure be sure to attached at least one properly rated safety cable to the fixture using one of the safety cable rigging points integrated in the base assembly .



## 7. CONTROL CONNECTION



Connect the provided XLR cable to the female 3-pin XLR output of your controller and the other side to the male 3-pin XLR input of the moving head. You can chain multiple Moving head together through serial linking. The cable needed should be two core, screened cable with XLR input and output connectors. Please refer to the diagram below. DMX-512 connection with DMX terminator.

For installations where the DMX cable has to run a long distance or is in an electrically noisy environment, such as in a discotheque, it is recommended to use a DMX terminator. This helps in preventing corruption of the digital control signal by electrical noise. The DMX terminator is simply an XLR plug with a resistor connected between pins 2 and 3, which is then plugged into the output XLR socket of the last fixture in the chain. Please see illustrations below.

