



## FOS Ultra Par

7\*40W RGBW 4in1 LED



User Manual

This manual contains important information.  
Please read before operating fixture.



# CATALOGUE

1. Safety Instruction .....	2
2. Technical Specifications .....	4
3. How to set the lighting .....	5
Control Panel .....	5
Main Functions .....	5
The main functions are shown below .....	6
4. How to control the lighting.....	7
The Master/Slave Machine Built-in Function .....	7
Universal DMX Controller .....	7
5. DMX512 Channel.....	8
6. DMX512 Connection.....	9
7. Fault Handling .....	9
8. Cleaning and maintenance .....	10

1. The DMX indicator must be on. If not, check the DMX signal connector and signal line to see if the connection is correct.
2. If the DMX indicator is on, but there is no response to channel control, and check the address code is set correctly.
3. If the DMX signal transmission is intermittent, to check if the Canon is in good connection with the signal line.
4. Try it again with another controller.
5. Check whether the DMX signal line is too close to the high voltage line, which can damage or interfere with the signal circuit.

### C. Out of control by Sound

1. Make sure the light does not receive DMX signal.
2. Check if the microphone for damage.

### D. One certain channel does not work

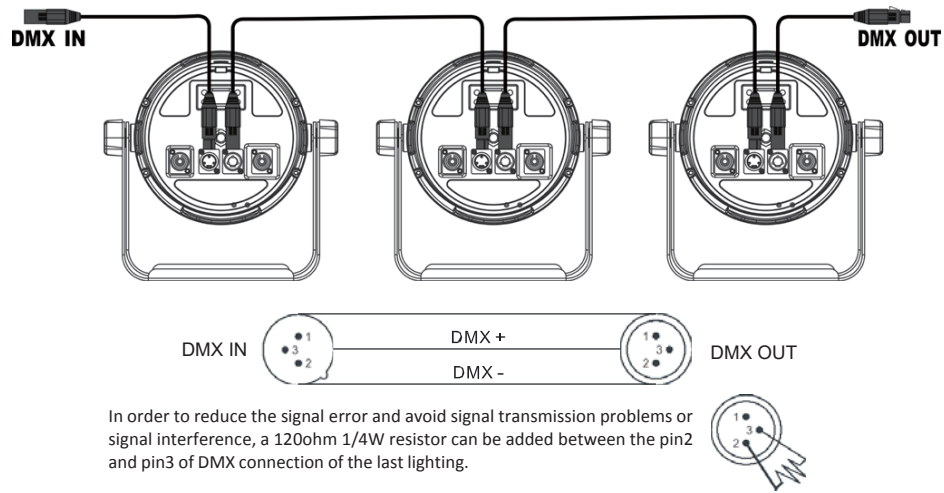
1. The drive line may be damaged or loose.
2. The drive circuit may be damaged.

## 8. Cleaning and maintenance

Lightings must be cleaned regularly so that the lighting effect is better. The cleaning frequency depends on the environment. Wet, smoggy, dirtier environments tend to dust the lenses.

- Use a soft linen and a special glass cleaner;
- Carefully wipe the cadres.
- Clean the exterior of the light once every 20 days at least once every 30 days or 60 days.

## 6. DMX512 Connection



1. Connect the lighting with the XLR signal line, one end receives the outlet of the light, and the other end receives the input port of the next light. XLR signal lines can only be used in series, not in parallel. DMX512 signal transmission is very fast. The signal line is damaged, the welding place is not secure, the contact is not good, it will affect the signal transmission, causing the system to close.
2. When a unit of power supply circuit, DMX output and input is by-pass connection, so that can continue to maintain the DMX line connected.
3. On the last light, the DMX wire needs an amplifier. Welding a 120 - ohm quarter w resistor between pin2 and pin3, within XLR plugs into 3 - pin and insert it in the end of a light DMX.
4. Each light, want to have an address to receive information from the console, range between 0-512 (usually 0 and 1 and 1 equal).
5. The 3-core XLR connector is more common than the 5-core XLR.

3 core XLR: PIN 1: GND, PIN 2: negative signal, PIN 3: positive signal.

5 core XLR: PIN 1: GND, PIN 2: negative signal, PIN 3: positive signal , Pin4/5: unused.

## 7. Fault Handling

Here are some of the problems that are common in working and some Suggestions for breaking down:

### A. Lighting does not work, no lights.

1. Check the power contact condition and whether the fuse is in good condition.
2. Detect the voltage.

### B. Out of Control by DMX

## 1. Safety Instruction



### Warning

Please read this manual carefully, which includes important information about installation, using, and maintenance.

- Please keep this manual as a future reference, if you sell the product to other users, make sure they have access to this manual as well.
- Before using the lighting, please check carefully to make sure that there is no damage caused by transportation. If yes, please do not use and contact the dealer for the first time.
- The lighting is only suitable for indoor to dry environment.
- The installation and operation of lights should be carried out by professionals.
- Use safety harness when fixing equipment.
- The equipment must be installed in a well-ventilated area, at least 50 cm from the adjacent plane.
- Make sure the ventilation holes are unobstructed to avoid overheating when the lightings are working.
- Ensure that the power supply voltage is in line with the requirement of the equipment before operation.
- Please earth the conductive body in case of electric shock.
- Please do not use the light in more than 40 °C environment.
- The shortest distance between all exterior surface and combustible materials is 2.5m.
- It is forbidden to connect the lighting directly to the dimmer.
- A small amount of smoke or peculiar smell may occur during the work of the new lighting, which will disappear after a few minutes.
- Do not place combustible materials near the lighting when it is working, in case of fire danger.
- Please check whether the power line is broken before turning on the lighting, please replace it immediately if there is any damage.
- Lightings runtime surface temperature of 60 °C, please do not touch with bare hands.
- Avoid long time to turn on lighting, so as not to shorten the life of lighting.
- Avoid the metal and other conductive body into the interior of the lighting, so as to avoid electric shock or fire. If any foreign body enters the lighting, please cut off the power immediately.
- Avoid operation in dirty and dusty environment, and regularly clean and maintain the lighting.
- Children are not allowed to contact/operate lighting.

- Do not touch the wire when the lighting is working in case of electric shock.
- Avoid winding of power cord and other wire.
- Please use the same model when replacing the fuse.
- If there is a serious malfunction, please stop using it immediately.
- Do not open the lighting again.
- Please replace the lighting housing and lens when there is obvious damage.
- The interior of the lighting is not available.
- Please do not open the shell of the lighting without authorization.
- If necessary, please contact the nearest authorized service center.
- Please cut off the power when the lightings are not used or repaired for a long time.
- Please use the original packing material for re-shipment.
- To avoid fire or electric shock, do not expose the lighting to rain or wet areas.
- Please do not look directly when the lighting is working.
- The product may emit harmful optical radiation.

**Warning**

- Do not expose the lighting to rain or humidity in order to prevent or reduce the danger of electric shock and fire.
- Shut off for 5 minutes.
- The lighting housing, when the lens has obvious damage, please replace it in time.

If AC 230V~50Hz power supply is used, do not connect more than 5 lamps in series, please use another power supply to provide power for the next set of 5 lamp sets;

If AC 120V~60Hz power supply is used, do not connect more than 3 lamps in series. Please use another power source to provide power for the next set of 3 lamps.

• **Attention**

There is no spare parts inside the lamp, please do not open the shell without authorization. Please contact the nearest technical service center if necessary.

• **Installation**

The lightings should be screwed to the bracket. Make sure the installation is strong enough to prevent flicking and sliding at run time. Also make sure the fixtures are stable and support the weight of more than 10 times the equipment. At the same time, when the installation of the equipment, can use under 12 times the product of the weight of the safety rope.

Equipment must be installed by professionals. The lighting is to be installed on the human body, and there will be no passers-by or seats.

**5. DMX512 Channels**

After power on, connect to the console. When the DMX512 console signal is not received, an "X" appears behind the DMX ADDR menu. When the DMX512 console signal is received, the "X" behind the DMX ADDR menu will automatically disappear, and then the control console signal will be controlled. In the address code state, if there is no access console after multi-machine connection, the master-slave online function can be realized to operate one of the devices, while the rest devices in the address state follow the host to run programs synchronously. DMX512 signal must be cut off when the master-slave is online.

**11 Channel Mode**

No.	Function	Descriptions
CH1	Zoom	( 0-255 ) Zoom 0-100%
CH2	Dimmer	( 0-255 ) Master dimmer 0-100%
CH3	Strobe	( 0-255 ) Strobe from slow to fast
CH4	Red dimmer	( 0-255 ) Red intensity 0-100%
CH5	Green dimmer	( 0-255 ) Green intensity 0-100%
CH6	Blue dimmer	( 0-255 ) Blue intensity 0-100%
CH7	White dimmer	( 0-255 ) White intensity 0-100%
CH8	Preset colors	( 0-255 ) Preset colors
CH9	Programs	0-020 No function 21-255 Built-in programs
CH10	Program speed	( 0-255 ) speed from fast to slow
CH11	Reset	( 194-255 ) reset

## 4. How to control the lighting

The lighting can be controlled in two ways as below:

1. The Master/Slave Machine Built-in Function;
2. DMX Controller.

No need to turn off the power of the lighting, and the new address code can be set immediately. Open the lighting, it began to receive DMX signal.

### Master/Slave Built-in Function

String many sets of lightings, first walk in the lighting of 1, 2, 3 (host, the host indicator, voice control indicator lights flashing, signal input connectionless), will control the other lamps and lanterns (vice machine, machine signal connection indicator) and the host with step effect.

### Universal DMX Controller

When using the general DMX control controller to control the lighting, please set the starting address (1-512) for the light to receive the DMX letter number.

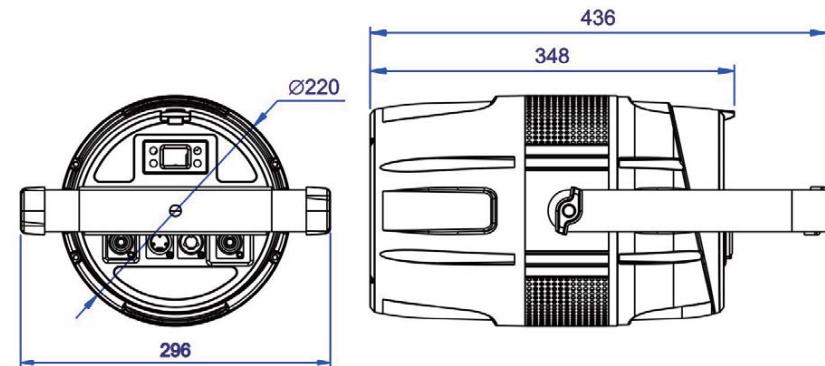
Press MENU button up to show Address, Press ENTER button, to show flashing; Use UP/DOWN button to select address code; Press ENTER to save or not save and return to the last menu; Please click the MENU button to return the Main Menu.

If you want to use this function, please refer to the DMX512 address of the first 4 lightings in the diagram below:

**11CHS Mode: 001、 012、 023、 034 .....**

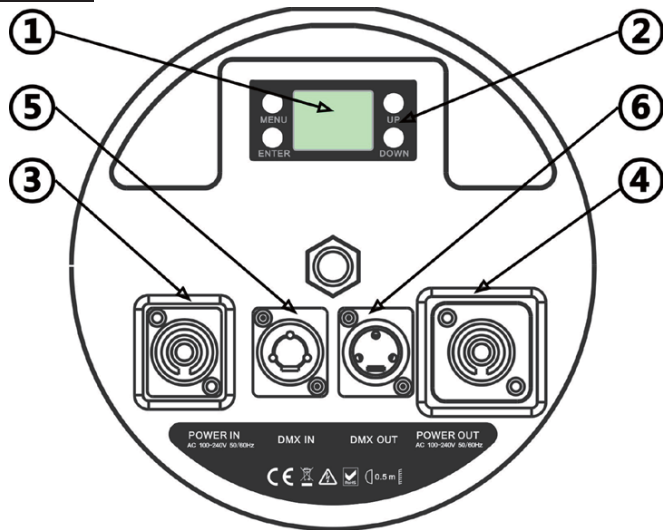
## 2. Technical specifications

POWER SUPPLY: AC100-240V, 50HZ-60HZ
POWER CONSUMPTION: 300W
LIGHT SOURCE: 7×40W 4 in 1 RGBW Luminus LED
CONTROL MODE: DMX512、 RDM、 Master/Slave、 Auto
STROBE: 1-25/S Electronic strobe
DIMMER: 0-100% linearly adjustable
BEAM ANGLE: 5° - 45°
DMX CHANNELS: 11 CH
DISPLAY: OLED DISPLAY
PROTECTION RATE: IP65
N. W. : 8.0 Kg
DIMENSION SIZE: 296×220×436 mm
PACKING SIZE: 275×275×550 mm
Feature: Unique structure design, focus more smooth; Double hanger design, can be placed on ground for use, a variety of installation schemes; Multiple built-in programs, RGBW can mix more wonderful colors; Built-in RDM, easy to operate; Perfect dimming, built-in 4 dimming curve optional; Optical angle adjustable, more diversified applications, no flicker output, die-cast body, waterproof grade IP65.



### 3. How to set the lighting

#### Control Panel



① **LCD:** Displays menu options and selected features;

② **Button:**

<b>MENU</b>	Select Function
<b>DOWN</b>	Select the next menu option
<b>UP</b>	Select the previous menu option
<b>ENTER</b>	Confirm the selected function

③ **POWERCON** Input: connect lamp to supply power;

④ **POWERCON** Output: connect the next lamp and provide power;

⑤ **DMX** Input: input **DMX** signal using **3-core XLR** signal line;

⑥ **DMX** Output: connect the next lamp with the **3-core XLR** signal line and output the **DMX** signal;

#### Main Function

To select a preset feature, press the **MENU** button to select the **MENU** option you want. Press **ENTER** button to ENTER the selected function, the display screen will blink, then use the **UP/DOWN** button to select the desired function, press **ENTER** button to confirm. To return to the main **MENU**, press the **MENU** button.

#### The main functions are shown below

No	English Display		Descriptions
1	DMX Addr	001	Set DMX address 001-512
2	Key_ADJ	R-Dim 000-255	Manual adjustment of RED intensity 0-100%
		G-Dim 000-255	Manual adjustment of GREEN intensity 0-100%
		B-Dim 000-255	Manual adjustment of GREEN intensity 0-100%
		W-Dim 000-255	Manual adjustment of WHITE intensity 0-100%
3	CCT	Brightness 000-255	Manual adjustment of intensity 0-100%
		CCT 000-255	Manual adjustment of color temperature
4	Focus	000-255	Manual zoom 0-100%
5	Test Mode	PROG 1/16	Press "OK" to enter, press "up" and "down" to select the built-in program, and press "OK" to enter. Press the menu button to return to the superior menu.
		PROG-SPEED 1/16	Press "OK" to enter, press "up" and "down" to select the built-in program speed, press "OK" to enter, and then press "Menu" to return to the superior menu.
		Auto/Sound	Press "OK" to enter, press "up" and "down" to select, press "OK" to enter, then press "Menu" to return to the superior menu.
6	Setting	Dim mode 1/2/3/4	Press "OK" to enter, press "up" and "down" to select,press "OK" to enter, then press "Menu" to return to the superior menu.
		DMX Keep On/OFF	Press "OK" to enter, press "up" and "down" to select,press "OK" to enter, then press "Menu" to return to the superior menu.
		DMX Prio On/OFF	Press "OK" to enter, press "up" and "down" to select,press "OK" to enter, then press "Menu" to return to the superior menu.
		BackLight On/OFF	Press "OK" to enter, press "up" and "down" to select,press "OK" to enter, then press "Menu" to return to the superior menu.
		Language EN	Press "OK" to enter, press "up" and "down" to select,press "OK" to enter, then press "Menu" to return to the superior menu.
7	system		System informations