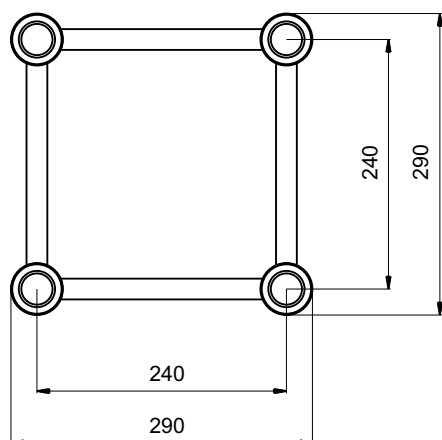
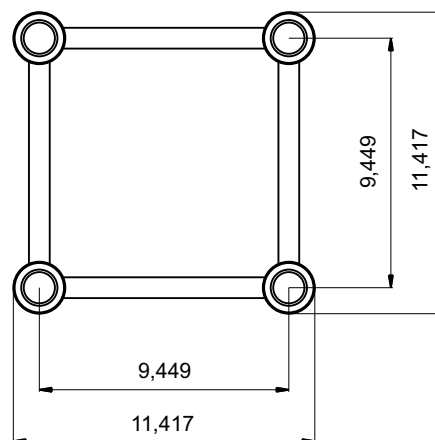


SIZE IN MILLIMETERS



SIZE IN INCHES



SPECIFICATIONS HT34

TUBES	50x3mm (2 x 0.12inch)
BRACES	20x2mm (0.8 x 0.08inch)
ALLOY	EN-AW 6082 T6



STRAIGHT SEGMENT LENGTHS HT34

CODE	LENGTH		WEIGHT	
HT34-50	0.5m	1.64ft	4.4kg	9.66lbs
HT34-75	0.75m	2.46ft	5.9kg	12.92lbs
HT34-87,5	0.875m	2.87ft	6.1kg	13.52lbs
HT34-100	1m	3.28ft	7.4kg	16.27lbs
HT34-125	1.25m	4.10ft	9.0kg	19.91lbs
HT34-150	1.5m	4.92ft	10.5kg	23.20lbs
HT34-200	2m	6.56ft	13.7kg	30.12lbs
HT34-215	2.15m	7.05ft	13.3kg	29.33lbs
HT34-250	2.5m	8.20ft	16.8kg	37.02lbs
HT34-275	2.75m	9.02ft	18.4kg	40.57lbs
HT34-300	3m	9.84ft	19.9kg	43.95lbs
HT34-350	3.5m	11.48ft	23.1kg	50.85lbs
HT34-400	4m	13.12ft	26.2kg	57.77lbs
HT34-450	4.5m	14.76ft	29.3kg	64.65lbs
HT34-500	5m	16.40ft	32.4kg	71.44lbs

LOADING TABLES HT34

	2m	4m	6m	8m	10m	12m
Distrib. Load [kg/m]	1420	707	344	193	121	82
Deflection [mm]	1.7	13.3	33.2	59.8	93.9	134.8
Point load [kg]	2840	1544	1033	771	607	491
Deflection [mm]	2.7	11.7	26.7	48.3	76.2	110.1
	6.56ft	13.12ft	19.68ft	26.24ft	32.81ft	37.37ft
Distrib. Load [lb/ft]	954.3	475.1	231.2	129.7	81.3	55.1
Deflection [inch]	0.1	0.5	1.3	2.4	3.7	5.3
Point load [lb]	6262.2	3404.5	2277.8	1700.1	1338.4	1082.7
Deflection [inch]	0.1	0.5	1.1	1.9	3	4.3