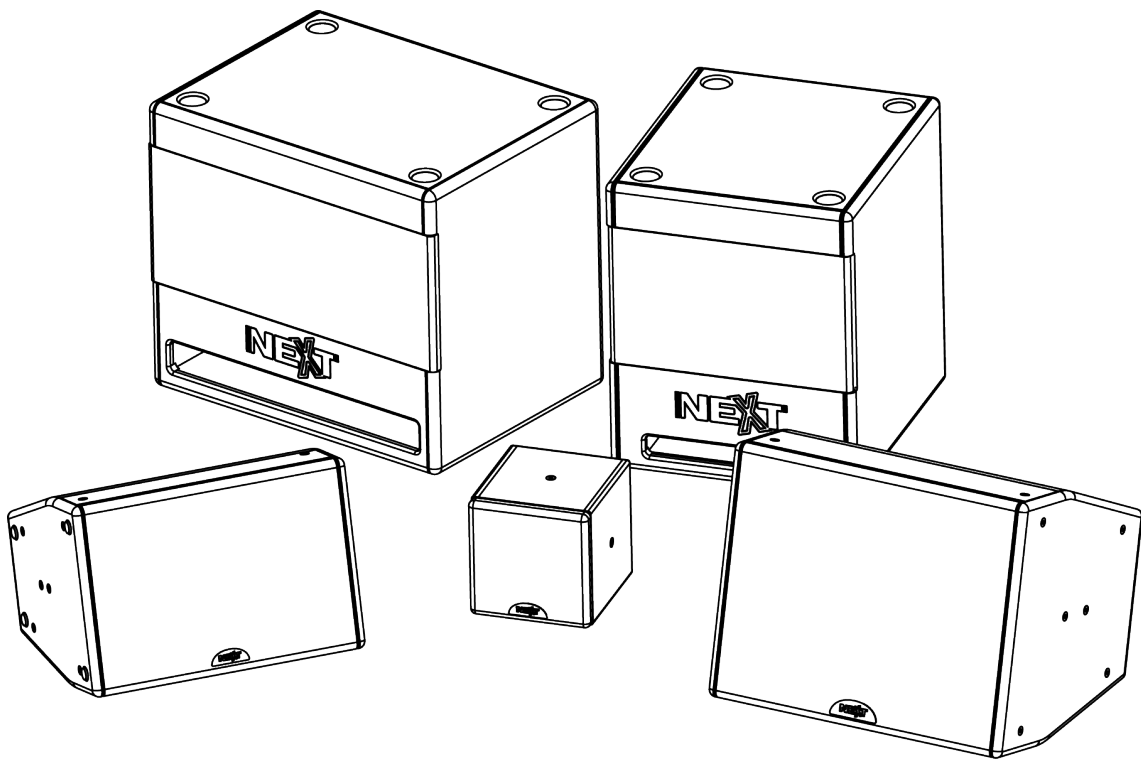


NEXT
proaudio

||| www.next-proaudio.com



KUBIX

Time Coherent Systems

USER MANUAL

V201609

CONTENTS

INTRODUCTION	- 2 -
UNPACKING	- 2 -
KUBIX SERIES OVERVIEW	- 2 -
SAFETY FIRST	- 3 -
RIGGING AND SUSPENSION SAFETY CONSIDERATIONS	- 4 -
KUBIX FAMILY	- 5 -
PASSIVE SPEAKERS	- 6 -
K5 / K5+	- 6 -
K8 / K12	- 6 -
ACTIVE SPEAKERS	- 7 -
K8A/K12A/K10sA POWER MODULE AND DSP	- 7 -
K12sA POWER MODULE AND DSP	- 8 -
AMPLIFIER BLOCK DIAGRAMS	- 9 -
KUBIX ACCESSORIES	- 10 -
KUBIX APPLICATION EXAMPLES	- 11 -
STANDALONE	- 11 -
SUBWOOFER + SATELLITE	- 12 -
POWER CABLE SELECTING	- 13 -
TROUBLESHOOTING	- 13 -
K5(+) / K8(A) / K12(A) – Disassembly procedure	- 14 -
K10s(A) / K12s(A) – Disassembly procedure	- 14 -
TECHNICAL SPECIFICATIONS	- 15 -
K5/K5+	- 15 -
K8/K8A	- 16 -
K12/K12A	- 17 -
K10s/K10sA	- 18 -
K12s/K12sA	- 19 -
WARRANTY	- 20 -
CONTACTS	- 21 -

INTRODUCTION

Thank you for purchasing a NEXT-proaudio KUBIX loudspeaker system. The NEXT-proaudio KUBIX series has been designed to cover almost all install applications such as nightclubs, bars, restaurants, convention centres, hotels, museums and houses of worship in an extreme-compact enclosure. Thanks to the coaxial loudspeaker mounting, it is possible to have a time coherent system response throughout the venue. With KUBIX series, the NEXT-proaudio's engineering team, developed the most powerful and compact series providing high performance and sound fidelity. This manual will provide you with useful and important information about your KUBIX element. Please devote some time reading this manual, and keep it at hand for future reference. NEXT-proaudio is concerned with your safety and well-being, so please follow all instructions and heed all warnings. Also, a better understanding of some specific features of the KUBIX series will help you to operate it to its full potential. With a continuous evolution of techniques and standards, NEXT-proaudio, reserves the right to change the specifications of its products without early warning. For the most current data, please visit our website: www.next-proaudio.com

UNPACKING

NEXT-proaudio KUBIX Series are built in Europe (Portugal) by NEXT-proaudio, according to the highest quality standards and thoroughly inspected before they leave the factory. When unpacking your KUBIX unit, please examine it carefully for any signs of possible transit damage and inform your dealer immediately if any such damage has occurred.

It is suggested that you retain the original packaging so that the speaker can be repacked in the future if necessary. Please note that NEXT-proaudio and its authorized distributors cannot accept any responsibility for damage to any returned product through the use of non-approved packaging.

When the product has reached the end of its useful life, please dispose of it responsibly through a recycling centre.

KUBIX SERIES OVERVIEW

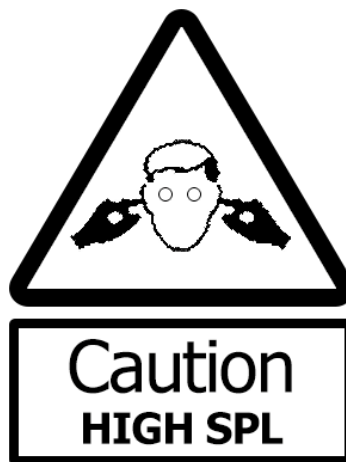
NEXT-proaudio engineered the new KUBIX series of self-powered and passive speaker cabinets, specifically for installations, musicians and DJs who want the state-of-the-art in acoustics and electronics. The family currently consists of three full-range cabinets, with drivers comprehended between 5" and 12". The coaxial full-range models are complemented by two high-performance subwoofers of 10" and 12" – all elements are available in active and passive versions.

This speaker line employs premium-quality lightweight plywood with an hardening, durable, and scratch-resistant coating. The KUBIX range of loudspeakers use two-way, full-range, coaxial drivers. The active enclosures are powered by integrated, lightweight Class-D or Class AB audio amplifiers with DSP, specially engineered to provide high impact, balanced, rich and transparent sound at any volume. The passive enclosures are fitted with a very accurate and optimised crossover for the best frequency and phase response. This series is made up of speakers and subwoofers that bind together forming the perfect combination. Several combinations of speakers and subwoofers can be done in order to satisfy your needs. The active speakers feature a variety of factory presets that allow you to use it like a plug n' play perfect solution for any kind of venue.

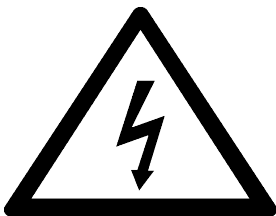
SAFETY FIRST

Please pay close attention to this chapter. Failure to comply with these instructions may result on injury or death.

DANGER – HEARING DAMAGE



NEXT-proaudio KUBIX systems are capable of producing extremely high sound pressure levels and should be used with care. Hearing loss is cumulative and can result from levels above 90dB if people are exposed for a long period. Never stand close to loudspeakers driven at high levels.



CAUTION

**RISK OF ELECTRIC SHOCK
DO NOT OPEN**



**TO REDUCE THE RISK OF ELECTRIC SHOCK, DO NOT REMOVE COVER
NO USER SERVICEABLE PARTS INSIDE
REFER SERVICE TO QUALIFIED PERSONNEL**

NEXT KUBIX Series - User Manual

www.next-proaudio.com

- Do not use your KUBIX unit near any sources of water, like swimming pools, lakes, water streams, exposed to rain, high humidity environments or any other source of water or moisture.
- Use only a soft dry cloth to clean your KUBIX unit.
- Never place your KUBIX unit in a way that prevents air flow near the amplifier. A minimum clearance distance of 6cm (2.5 in) should be kept between the amplifier and any near surface.
- Never use your KUBIX unit too close to any heat source, such as radiators, or any other device that produces heat.
- Place cables in a way that they do not present a trip hazard.
- Do not place any objects on top of the stack, they can fall accidentally and cause injuries.
- Do not attempt to move the enclosures while connected.
- Do not attempt to service the KUBIX unit beyond what is described in this manual. All other service or repair of this product should be carried only by qualified personnel.
- To prevent electric shock, do not use any extension cord, receptacle or other outlets where the blades of the connectors cannot be fully inserted.
- Precautions should be taken to prevent grounding failure or polarity switch.
- It is advised to unplug the KUBIX unit during storms or when not in use for a long period of time.

RIGGING AND SUSPENSION SAFETY CONSIDERATIONS

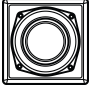
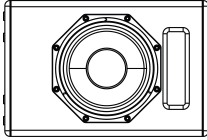
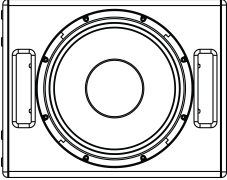
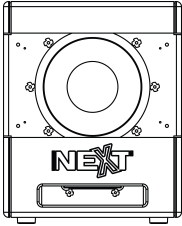
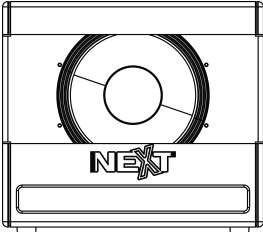
KUBIX Series enclosures were designed for installation applications; it means that can be suspended by aid of the threaded inserts provided or using the recommended brackets. These enclosures are internally fitted with steel corner reinforcement brackets to ensure that each cabinet is strong enough to be hung from its top.

- Before rigging or suspending NEXT-proaudio KUBIX systems, inspect all components and all hardware for any signs of damage or missing parts. If you find any damaged, corroded or deformed parts, **do not use them**, replace them immediately.
- Do not use hardware that isn't load rated or that its rating is not enough to handle the system's weight with a good safety factor (minimum 4:1).
- Suspended systems installation should only be carried out by qualified personnel.
- Always use adequate protective clothing and equipment to prevent possible injuries.
- Be sure you understand all local and national regulations regarding equipment installation.

NEXT KUBIX Series - User Manual

www.next-proaudio.com

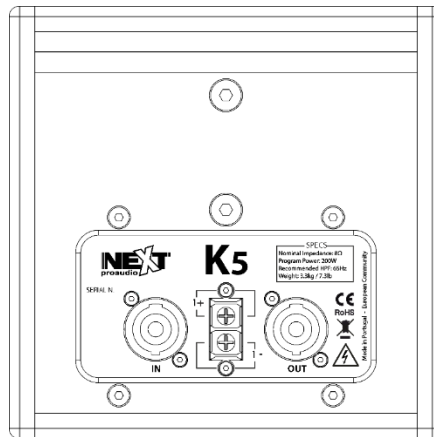
KUBIX FAMILY

	Model	Spk. Size	Freq. Resp.	Dispersion	Power
	K5/K5+	5"	70Hz/100Hz to 18kHz	80° Conical	200W
	K8(A)	8"	59Hz to 18kHz	100° Conical	500W
	K12(A)	12"	44Hz to 18kHz	80° Conical	700W
	K10s(A)	10"	37Hz to 500Hz	Omnidirectional	500W
	K12s(A)	12"	38Hz to 500Hz	Omnidirectional	1400W

PASSIVE SPEAKERS

K5 / K5+

K5 is the smallest cabinet of KUBIX family. Available in two different passive versions, K5 and K5+, are the best solutions for small venues such as conference rooms, theatres, museums and restaurants. The K5 model is a full-range loudspeaker with a low frequency response beyond the 70Hz. The K5+ is a similar cabinet to K5 with higher sensitivity and a frequency response above 110Hz. In order to complement the audible spectrum, NEXT-proaudio highly recommends to use this cabinet with a KUBIX series subwoofer. On the image below is represented the K5(+)'s rear panel.



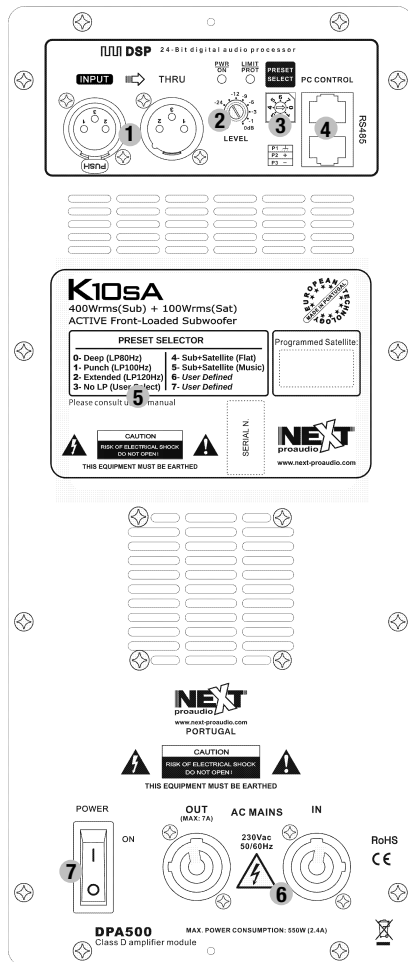
K8 / K12

K8 and K12 are passive full-range loudspeakers with an incredible frequency response even at low frequencies. Thanks to its advanced built-in crossover filter, the loudspeakers can be plugged in directly to a power amplifier without any digital processing. However, NEXT-proaudio recommends the use of a digital signal processor (LMS242 or DP240) for an optimal system response according to the venue and the playback content. Because of being a coaxial loudspeaker, that avoids interferences between the LF driver and the HF driver, it can be the perfect solution for DJ monitoring, drum fills, and also small venues where the listener is located near to the sound source. On the image below is represented the K8's rear panel. The K12's rear panel is similar to this one.



ACTIVE SPEAKERS

All the KUBIX series cabinets were designed to achieve a simple to use and deploy versatile system. The ACTIVE units belonging to this series are qualified to be completely plug n' play, featuring a power amplifier with DSP.

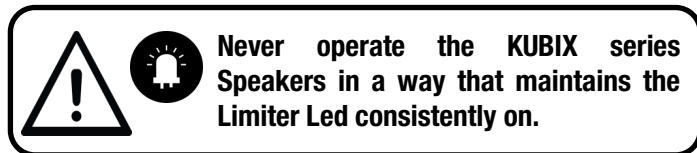


K8A/K12A/K10sA POWER MODULE AND DSP

Here is a brief description of the amplifier panel:

- 1- Signal Input/Output
- 2- Level Adjustment Potentiometer
- 3- Preset Selector
- 4- RS485 Communication Interface
- 5- List of Available Presets
- 6- AC Mains Power Input/Output
- 7- Power On/Off Switch

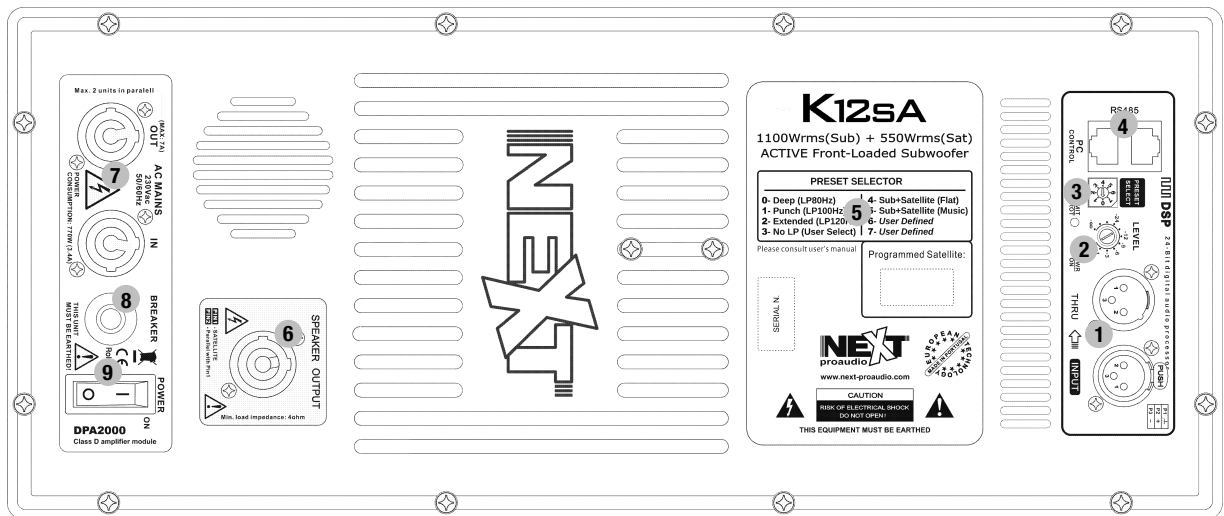
NEXT-proaudio chose a 2 Channel Switched Mode Class AB amplifier with DSP to power K8A, K12A and K10sA. On K8A and K12A models the amplifier delivers 400W to the woofer and 100W to the high frequency driver. The K10sA model has a satellite output (Neutrik NL4) with 100W keeping 400W to power its own 10" low frequency driver at maximum efficiency.



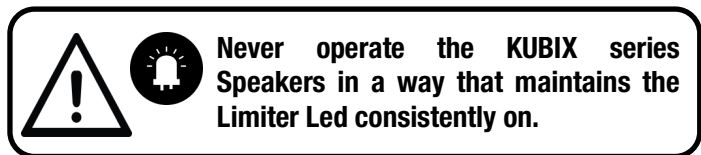
Full-Range Speakers Preset List (K8A/K12A):

- 0- Flat: Flat frequency response
- 1- Flat (HP 80Hz): Flat frequency response with High-pass filter at 80Hz 24dB/Oct Linkwitz-Riley
- 2- Music: Frequency response adapted for music reproduction (SPL level boosted at low frequencies and ear compensation, due to high SPL levels, at the mid-high frequency range)
- 3- Music (HP 80Hz): Frequency response adapted for music reproduction High-pass filter at 80Hz 24dB/Oct Linkwitz-Riley
- 4- Vocal: Frequency response adapted for voice speech. (High Pass Filter at 90Hz and EQing for an improved intelligibility)
- 5- Loudness: Is a setting, intended to be used at low listening levels, that increases the level of the high and low frequencies compensating the ear's low sensitivity
- 6 / 7- User Defined: Free memory for user storage

K12sA POWER MODULE AND DSP



- | | |
|-----------------------------------|--------------------------------|
| 1- Signal Input/Output | 6- Satellite Output |
| 2- Level Adjustment Potentiometer | 7- AC Mains Power Input/Output |
| 3- Preset Selector | 8- Protection Circuit Breaker |
| 4- RS485 Communication Interface | 9- Power On/Off Switch |
| 5- List of Available Presets | |



Capable of delivering very high power, the K12sA, is equipped with a 2 Channel Switched Mode Class D amplifier with DSP. Internally bridged, 2 channel of 550W each, play an extraordinary power performance when powering the 12" low frequency driver with 1100W. Thanks to a satellite output with 550W, located on the amplifier's panel, it is possible to easily connect an external passive speaker, or group of speakers, as long as the minimum total impedance doesn't reach below 4Ω. When connected to the computer, with SOUNDWARE software, the user can easily control the output satellite volume and delay and equalize the input channel.

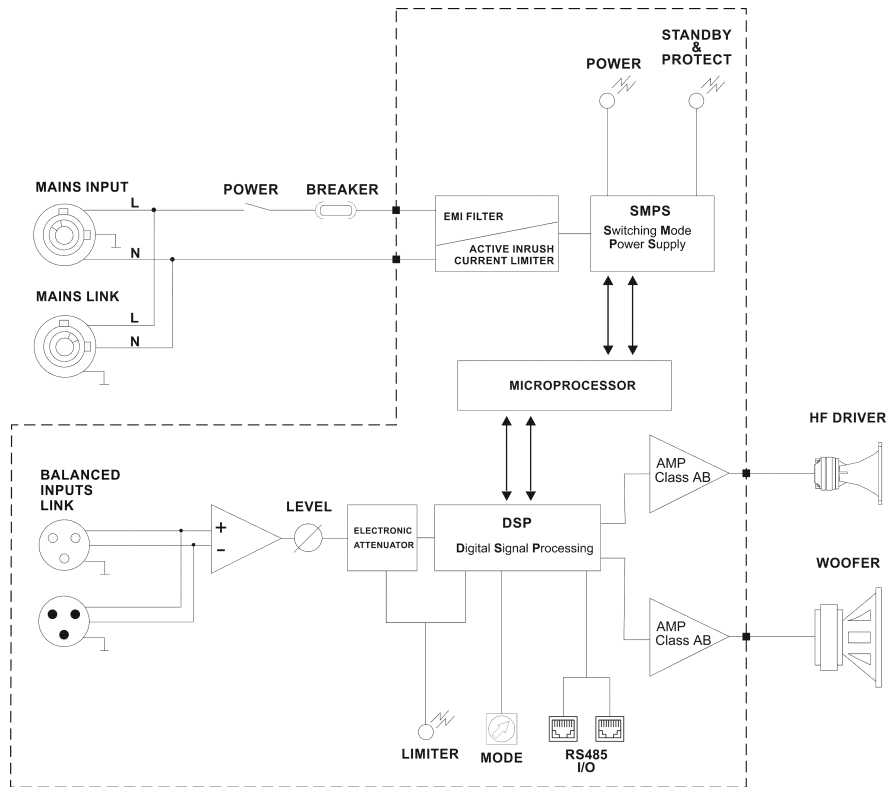
Subwoofers Preset List (K10sA/K12sA):

- 0- Deep (LP80Hz): Low-pass filter at 80Hz 24dB/Oct Linkwitz-Riley
- 1- Punch (LP100Hz): Low-pass filter at 100Hz 24dB/Oct Linkwitz-Riley
- 2- Extended (LP120Hz): Low-pass filter at 120Hz 24dB/Oct Linkwitz-Riley
- 3- No LP: No Low-pass filter used (can be defined by user)
- 4- Sub+Satellite (Flat): Flat frequency response with the satellite designated on "Programmed Satellite" label
- 5- Sub+Satellite (Music): Frequency response adapted for music reproduction with the satellite designated on "Programmed Satellite" label (Ear compensation, due to high SPL levels, at the mid-high frequency range)
- 6 / 7- User Defined: Free memory for user storage (OUTPUT is muted by default)

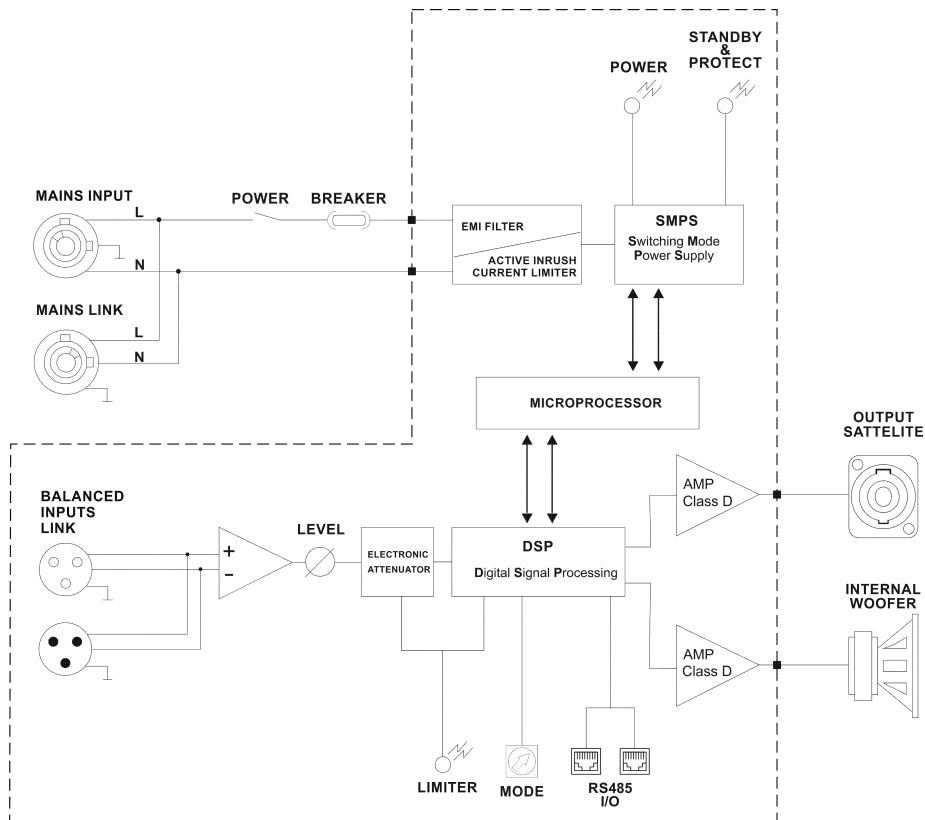
NEXT KUBIX Series - User Manual

www.next-proaudio.com

AMPLIFIER BLOCK DIAGRAMS

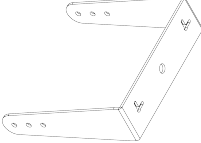
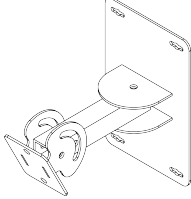
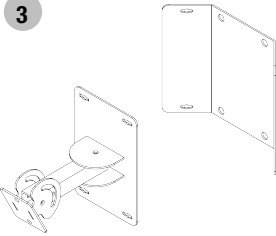
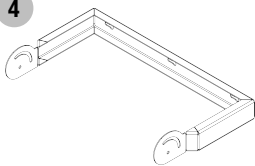
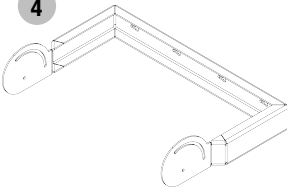


K8A/K12A/K10sA Amplifier Block Diagram



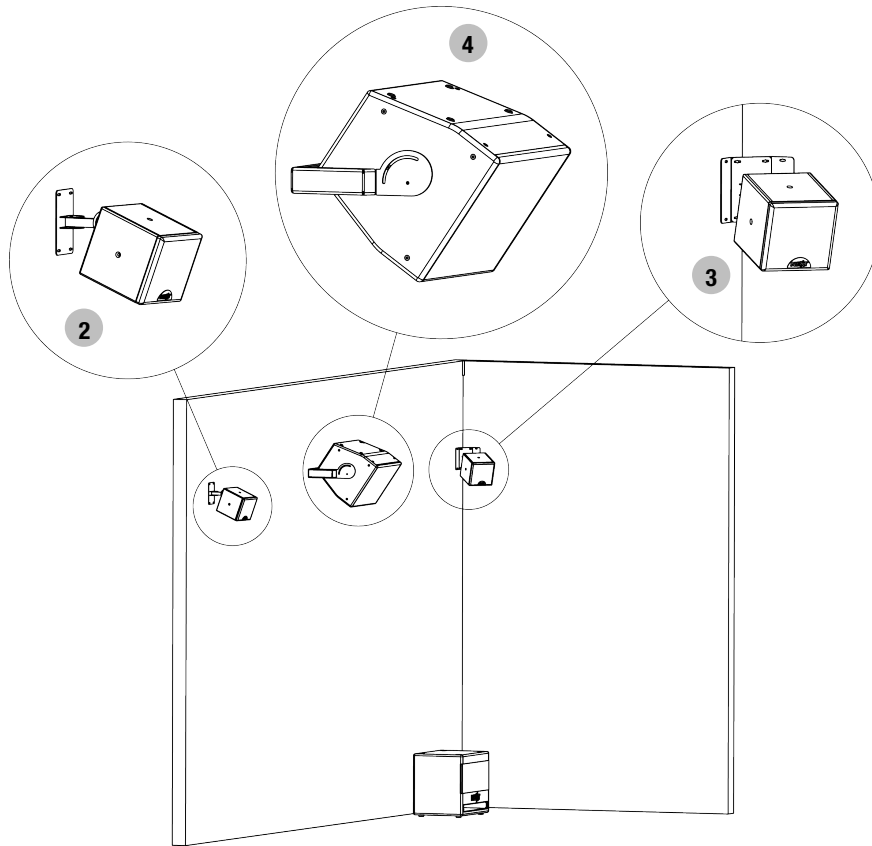
K12sA Amplifier Block Diagram

KUBIX ACCESSORIES

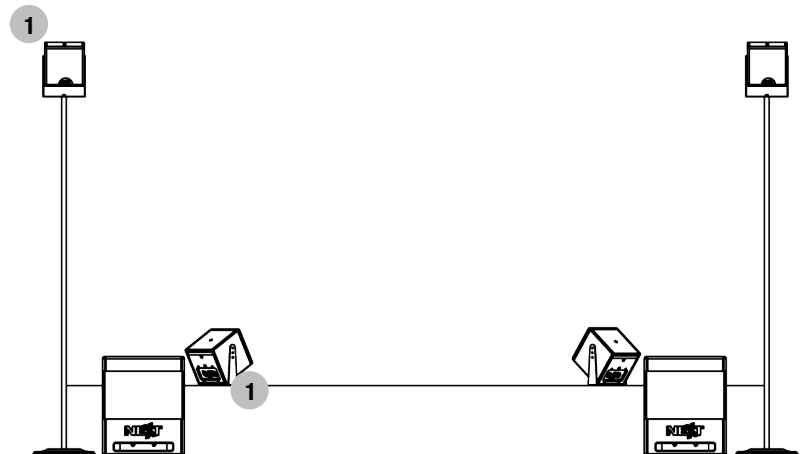
1		U-Bracket	Wall/Ceiling/Floor/Mic Stand Mounting	K5/K5+
<hr/>				
2		Adjustable Wall Bracket	Wall/Ceiling Mounting	K5/K5+
<hr/>				
3		Corner Fixer for Adjustable Wall Bracket	Corner Mounting	K5/K5+
<hr/>				
4		U-Bracket	Wall/Ceiling Mounting	K8/K8A
<hr/>				
4		U-Bracket	Wall/Ceiling Mounting	K12/K12A

KUBIX APPLICATION EXAMPLES

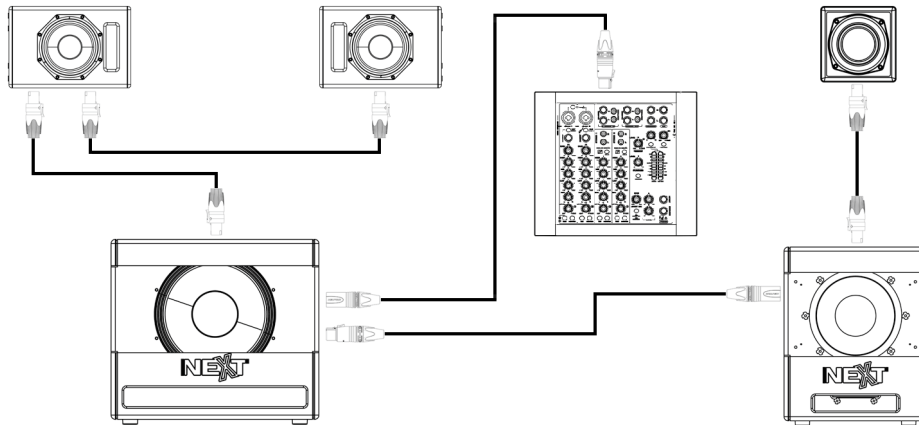
STANDALONE



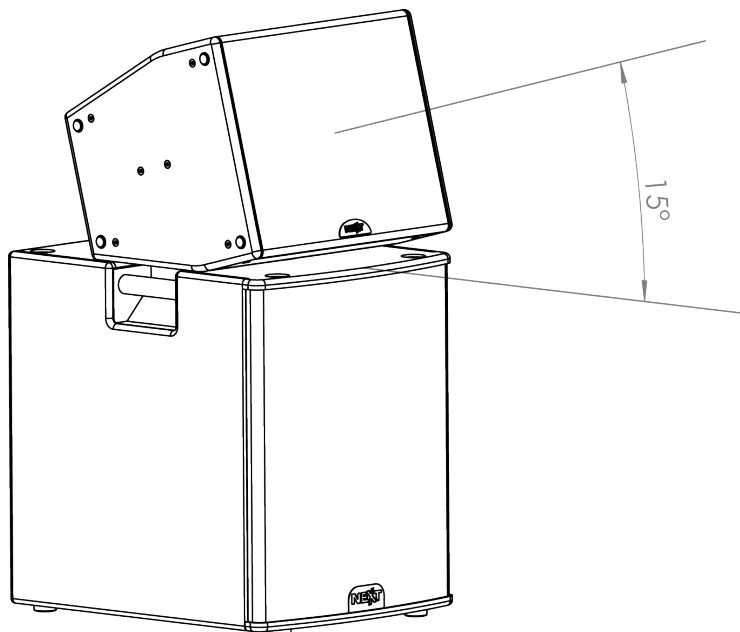
The KUBIX installation series provides a wide range of accessories for standalone applications. In the picture above are represented the different kind of wall mounting systems available; the speakers can be used either on horizontal or vertical orientation. All the KUBIX series cabinets are also ready to be suspended by mean of chains, only replacing the screw for an eye bolt. In the picture below are described the U-Bracket applications on a microphone stand or directly on the floor.



SUBWOOFER + SATELLITE



Able to deliver an extremely high output and dynamics for its size, K5, is one of the best solutions for small venues. When used with the K10sA or K12sA, active subwoofers, it becomes the perfect solution for any kind of audio reinforcement and reproduction. K10sA can power 1 x K5(+) and K12sA can power up to 2 x K5(+). The K12sA operating with K8 can be the perfect solution for medium venues where the high SPL with sound clarity is needed.



It is also possible to operate the KUBIX series with other NEXT-proaudio models. On the image above is represented an HFA115s, from HFA Series, powering a K12. By simply laying the speaker on the top of the subwoofer it will automatically set a 15° angle that perfectly aligns the listener ears with the centre of the sound source for the best listening experience. This set up can be used as an excellent DJ monitoring or as a perfect drum fill for the most exigent drummers.

POWER CABLE SELECTING

Selecting a cable consists of calculating the correct cable section (size) in relation to the load impedance and the required cable length. A small cable section will increase its serial resistance, which will induce power-loss and response variations (damping factor).

The following table indicates, for 3 common sizes, a cable length with a maximum serial resistance equal to 4% of the load impedance (damping factor = 25):

Cable section	Maximum Length related to load impedance	
	8Ω	4Ω
1.5 mm ²	12 m [40 ft]	6 m [20 ft]
2.5 mm ²	20 m [64 ft]	10 m [32 ft]
4 mm ²	32 m [104 ft]	16 m [52 ft]

TROUBLESHOOTING

Simple troubleshooting does not require sophisticated measurement equipment and can be easily undertaken by users. The technique should be to segment the system in order to identify the faulty system component: signal source, controller, amplifier, loudspeaker or cable? Most installations are multi-channel. It is often the case that one channel works and others do not. Trying different combinations of system elements can usually help to isolate and locate the fault.

Some cabinet faults can be quite easily identified and corrected by the user. A simple sweep with a sine wave generator can be very helpful though it **MUST** be made at a fairly low level to prevent damage to the speakers. A sine wave sweep can help find:

- Vibrations due to loose screws.
- Air-leak noises: check that no screws are missing, particularly where the accessories attach to the cabinet.
- Vibrations due to a front grille badly positioned on the quick release fixings.
- Foreign object that has fallen into the cabinet after repair or through the ports.
- Internal connection wires or absorbing material touching the loudspeaker diaphragm: check by removing the bass loudspeaker.
- Loudspeaker not connected or phase reversed following a previous inspection, test or repair.

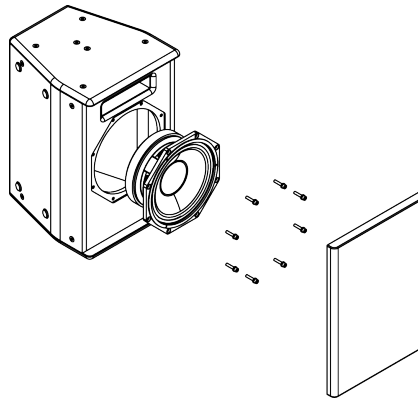
In case of excessive heat (self-powered versions), due to a fan malfunction, the amplifier will decrease the output power in order to cool. The amplifier will not stop working. This operation mode is signed with blinking of LIMIT/PROT led.

If you need to disassemble any of this series loudspeaker, please follow the disassembly procedure described below. Do not attempt to service the KUBIX unit beyond what is described in this manual. All other service or repair of this product should be carried only by qualified personnel.

K5(+) / K8(A) / K12(A) – Disassembly procedure

Pre-requisite: 4mm hex bit

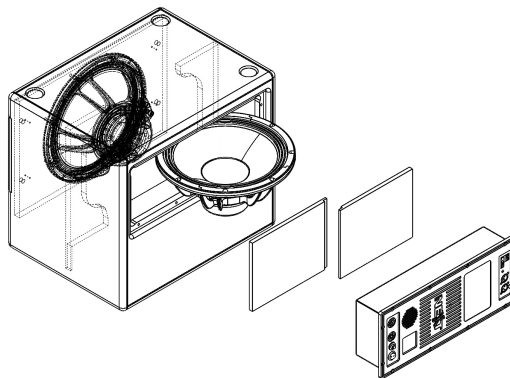
1. Carefully remove the front grille by simply pulling it from the enclosure, exposing the loudspeaker
2. Remove the loudspeaker's screws with help of the hex bit
3. Remove the loudspeaker and disconnect the LF and HF cables



K10s(A) / K12s(A) – Disassembly procedure

Pre-requisite: Phillips screwdriver, 4mm hex bit

1. Remove the rear panel or amplifier's screws using a Phillips screwdriver
2. Carefully remove the amplifier module from the enclosure and disconnect the power connector on the back. In case of being the passive version just remove the rear panel and disconnect the cables from the loudspeaker
3. On the ACTIVE version there is a vibrancy isolation box that must be disassembled unscrewing 4 screws using a Phillips screwdriver; Remove the 2 pieces of the anti-vibrancy box door
4. Remove the loudspeaker's screws (from the inside) with help of the hex bit
5. Remove the loudspeaker



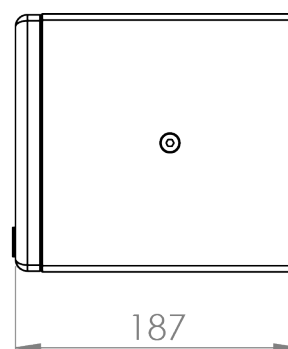
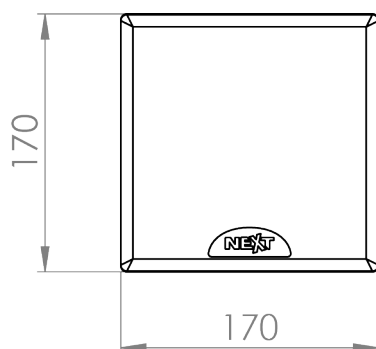
NEXT KUBIX Series - User Manual

www.next-proaudio.com

TECHNICAL SPECIFICATIONS

K5/K5+

TECHNICAL SPECIFICATIONS	K5	K5+
Speaker Type	Passive Coaxial Reflex Speaker	
Frequency Response (-6dB)	112Hz - 18.000Hz	150Hz - 18.000Hz
Low Frequency Extension (-10dB)	70Hz	100Hz
Sensitivity (1W@1m)	91dB (Full-Space)	93dB (Full-Space)
Recommended HPF.	65Hz	125Hz
Calculated Max. SPL (Cont./Peak)	114dB / 117dB (Full-Space)	116dB / 119dB (Full-Space)
Components	LF: 1 x 5" / 1.7" Voice Coil B&C Custom Speaker	
	HF: 1 x 1" / 1" Voice Coil Custom B&C Compression Driver	
Directivity (-6dB)	80° Conical	
Program Power	200W	
Nominal Impedance	8Ω	
Recommended Amplifier	MA900	
Construction	10mm Multi-laminate Birch Plywood, Screwed and Glued	
Finish	Black Textured Scratch Resistant Paint (also available in other colours and finishing)	
Grille	Perforated Steel with Acoustically Transparent Fabric	
Connectors	2 x Neutrik NL4 ; 2 x Screw Terminal	
Dimensions (W x H x D)	170 x 170 x 187 mm (6.69 x 6.69 x 7.36 in)	
Net Weight	3.3 kg (7.28 lb)	

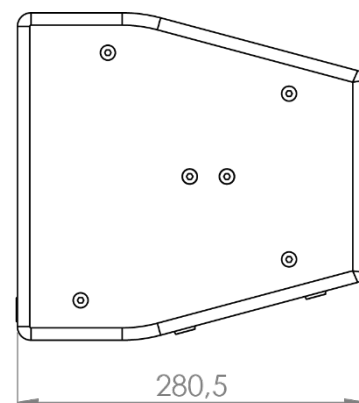
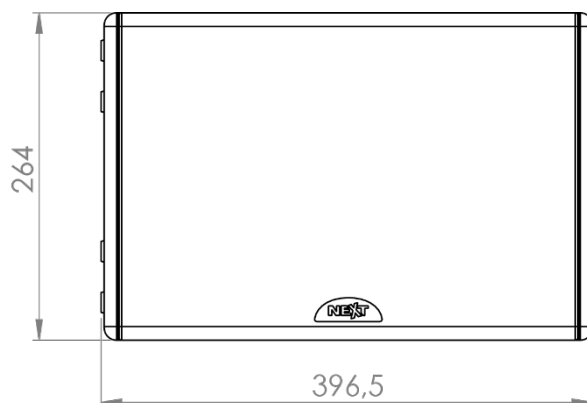


NEXT KUBIX Series - User Manual

www.next-proaudio.com

K8/K8A

TECHNICAL SPECIFICATIONS	K8	K8A
Speaker Type	Passive Coaxial Reflex Speaker	ACTIVE Coaxial Reflex Speaker
Frequency Response (-6dB)	67Hz – 18.000Hz	67Hz – 18.000Hz
Low Frequency Extension (-10dB)	59Hz	59Hz
Sensitivity (1W@1m)	96dB (Full-Space)	
Recommended HPF.	56Hz	
Calculated Max. SPL (Cont./Peak)	123dB / 126dB (Full-Space)	122dB / 125dB (Full-Space)
Components	LF: 1 x 8" / 2" Voice Coil B&C Custom Speaker	
	HF: 1 x 1" / 1.7" Voice Coil B&C Custom Compression Driver	
Directivity (-6dB)	100° Conical	
Program Power	500W	
Nominal Impedance	8Ω	
Recommended Amplifier	MA1700	
Amplifier Technology		2 Channel Switched Mode Class AB with DSP (500W) 400W 100W
LF Power (RMS)		
HF Power (RMS)		
Construction	15mm Plywood, Screwed and Glued	
Finish	Black Textured Scratch Resistant Paint (also available in other colours and finishing)	
Grille	Perforated Steel with Acoustically Transparent Fabric	
Connectors	2 x Neutrik NL4	Signal: 2 x XLR Power: 2 x PowerCON Data: 2 x RJ45
Dimensions (W x H x D)	397 x 264 x 281 mm (15.63 x 10.39 x 11.06 in)	
Net Weight	10.8 kg (23.81 lb)	12.2 kg (26.9 lb)

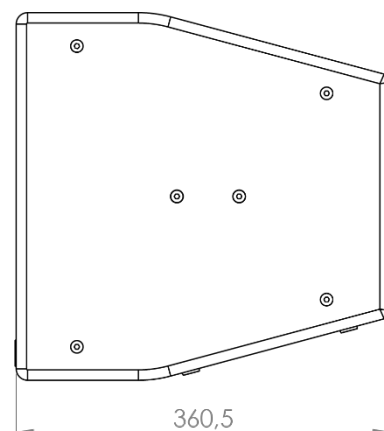
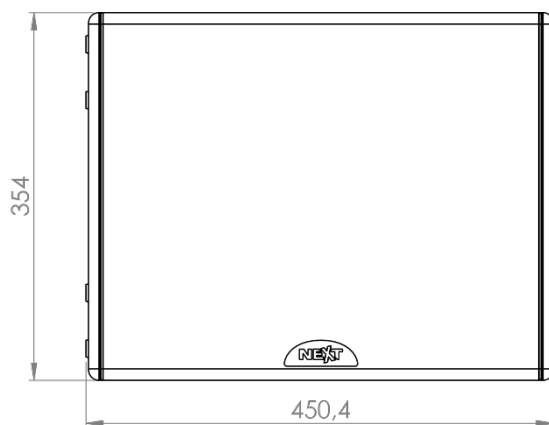


NEXT KUBIX Series - User Manual

www.next-proaudio.com

K12/K12A

TECHNICAL SPECIFICATIONS	K12	K12A
Speaker Type	Passive Coaxial Reflex Speaker	ACTIVE Coaxial Reflex Speaker
Frequency Response (-6dB)	53Hz – 18.000Hz	53Hz – 18.000Hz
Low Frequency Extension (-10dB)	44Hz	44Hz
Sensitivity (1W@1m)	98dB (Full-Space)	
Recommended HPF.	44Hz	
Calculated Max. SPL (Cont./Peak)	126.5dB / 129.5dB (Full-Space)	124dB / 127dB (Full-Space)
Components	LF: 1 x 12" / 3" Voice Coil B&C Custom Speaker	
	HF: 1 x 1.4" / 3" Voice Coil B&C Custom Compression Driver	
Directivity (-6dB)	80° Conical	
Program Power	700W	
Nominal Impedance	8Ω	
Recommended Amplifier	MA3200	
Amplifier Technology		2 Channel Switched Mode Class AB with DSP (500W) 400W 100W
LF Power (RMS)		
HF Power (RMS)		
Construction	15mm Plywood, Screwed and Glued	
Finish	Black Textured Scratch Resistant Paint (also available in other colours and finishing)	
Grille	Perforated Steel with Acoustically Transparent Fabric	
Connectors	2 x Neutrik NL4	Signal: 2 x XLR Power: 2 x PowerCON Data: 2 x RJ45
Dimensions (W x H x D)	450 x 354 x 361 mm (17.72 x 13.94 x 14.21 in)	
Net Weight	15.6 kg (34.39 lb)	17.2 kg (37.92 lb)

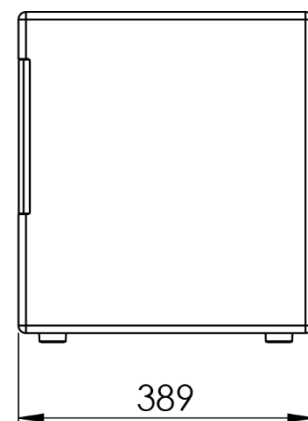
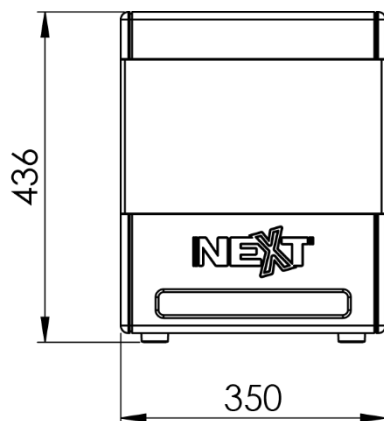


NEXT KUBIX Series - User Manual

www.next-proaudio.com

K10s/K10sA

TECHNICAL SPECIFICATIONS	K10s	K10sA
Speaker Type	Passive Reflex Subwoofer	ACTIVE Reflex Subwoofer
Frequency Response (-6dB)	44Hz – 500Hz	44Hz – X-Over
Low Frequency Extension (-10dB)	37Hz	37Hz
Sensitivity (1W@1m)	99dB (Half-Space)	
Recommended HPF.	34Hz	
Calculated Max. SPL (Cont./Peak)	126dB / 129dB (Half-Space)	125dB / 128dB (Half-Space)
Components	LF: 1 x 10" / 2.5" Voice Coil Long Excursion Custom Speaker	
Program Power	500W	
Nominal Impedance	8Ω	
Recommended Amplifier	MA2300	
Amplifier Technology		2 Channel Switched Mode Class AB with DSP (500W)
Power to Int. Speaker (Sub) (RMS)		400W
Power to Ext. Speaker (Sat) (RMS)		100W
Construction	15mm Plywood, Screwed and Glued	
Finish	Black Textured Scratch Resistant Paint (also available in other colours and finishing)	
Grille	Perforated Steel with Acoustically Transparent Fabric	
Connectors	2 x Neutrik NL4	Signal: 2 x XLR Power: 2 x PowerCON Sat. Output: 1 x Neutrik NL4 Data: 2 x RJ45
Dimensions (W x H x D)	350 x 436 x 389 mm (13.78 x 17.17 x 15.31 in)	
Net Weight	12.9 kg (28.44 lb)	15.9 kg (35.05 lb)

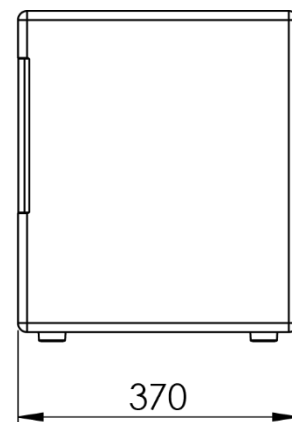
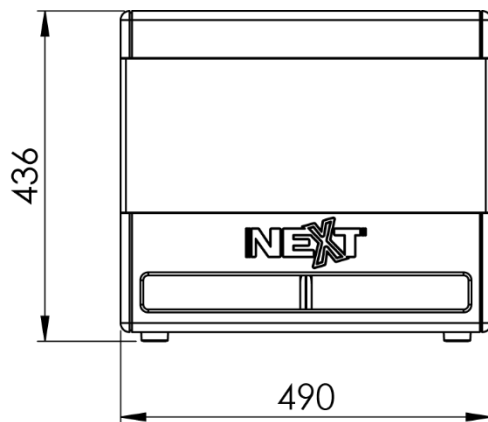


NEXT KUBIX Series - User Manual

www.next-proaudio.com

K12s/K12sA

TECHNICAL SPECIFICATIONS	K12s	K12sA
Speaker Type	Passive Reflex Subwoofer	ACTIVE Reflex Subwoofer
Frequency Response (-6dB)	43Hz – 500Hz	43Hz – X-Over
Low Frequency Extension (-10dB)	38Hz	38Hz
Sensitivity (1W@1m)	101dB (Half-Space)	
Recommended HPF.	42Hz	
Calculated Max. SPL (Cont./Peak)	132.5dB / 135.5dB (Half-Space)	131.5dB / 134.5dB (Half-Space)
Components	LF: 1 x 12" / 3.5" VC Neodymium Long Excursion B&C Custom Speaker	
Program Power	1400W	
Nominal Impedance	8Ω	
Recommended Amplifier	MA6000	
Amplifier Technology		2 Channel Switched Mode Class D with DSP (1650W)
Power to Int. Speaker (Sub) (RMS)		1000W
Power to Ext. Speaker (4Ω Sat) (RMS)		550W
Construction	15mm Plywood, Screwed and Glued	
Finish	Black Textured Scratch Resistant Paint (also available in other colours and finishing)	
Grille	Perforated Steel with Acoustically Transparent Fabric	
Connectors	2 x Neutrik NL4	Signal: 2 x XLR Power: 2 x PowerCON Sat. Output: 1 x Neutrik NL4 Data: 2 x RJ45
Dimensions (W x H x D)	490 x 436 x 370 mm (19.29 x 17.17 x 15.31 in)	
Net Weight	18.1 kg (39.9 lb)	22 kg (48.5 lb)



WARRANTY

NEXT-proaudio's products are warranted, by NEXT-proaudio, against manufacturing defects in materials or craftsmanship over a period of 5 years for the passive loudspeakers, and 2 years for all other products counting from the date of original purchase. The original receipt of purchase is mandatory for warranty validation purposes, and the product must have been bought from a NEXT-proaudio authorized dealer.

The warranty can be transferred to a subsequent owner during the warranty period; however, this cannot extend the warranty period beyond the original warranty period of five years from the original date of purchase stated on the NEXT-proaudio's invoice.

During the warranty period NEXT-proaudio will, at its own discretion, either repair or replace a product which prove to be defective provided that the product is returned in its original packaging, shipping prepaid, to an authorized NEXT-proaudio service agent or distributor.

NEXT-proaudio cannot be held responsible for defects caused by unauthorized modifications, improper use, negligence, exposure to inclement weather conditions, act of God or accident, or any use of this product that is not in accordance with the instructions provided by this manual and/or NEXT-proaudio. NEXT-proaudio is not liable for consequential damages.

This warranty is exclusive and no other warranty is expressed or implied. This warranty does not affect your statutory rights.



CONTACTS

In case of any doubts or any information just:

Write us:

NEXT-proaudio
Rua da Venda Nova, 295
4435-469 Rio Tinto
Portugal

Contact us:

Tel. +351 22 489 00 75
Fax. +351 22 480 50 97

Send an e-mail:

info@next-proaudio.com

Search our website:

www.next-proaudio.com

Follow us on:

Facebook: facebook.com/nextproaudio

Instagram: instagram.com/nextproaudio

LinkedIn: linkedin.com/company/next-proaudio

Twitter: twitter.com/next_proaudio

Youtube: youtube.com/user/NEXTmanufacturer