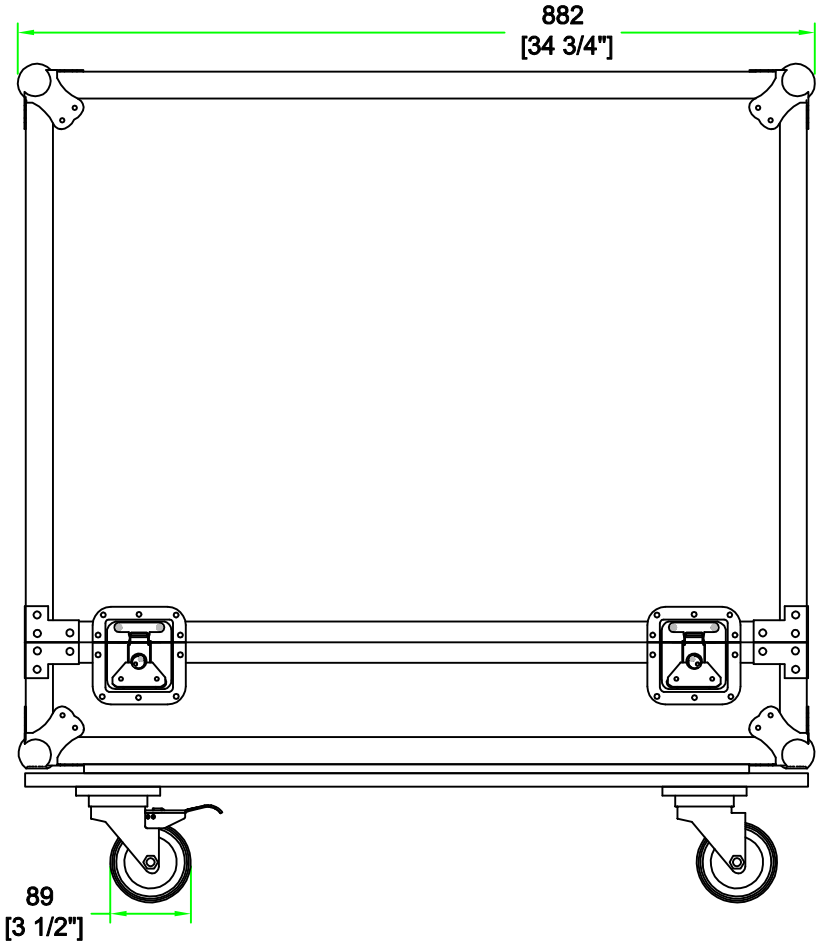
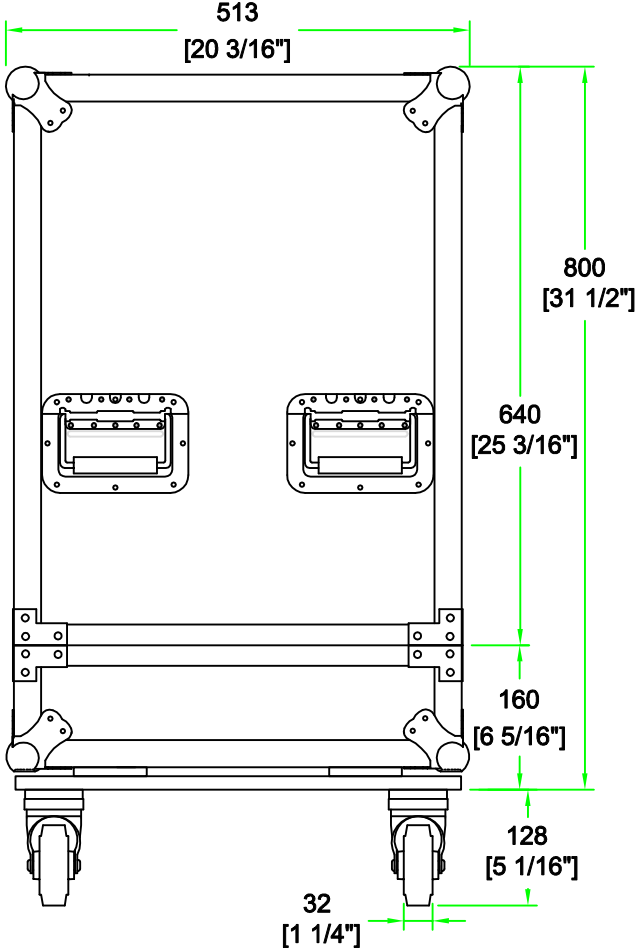


# RR2SPEAKER15



FRONT VIEW  
BACK VIEW

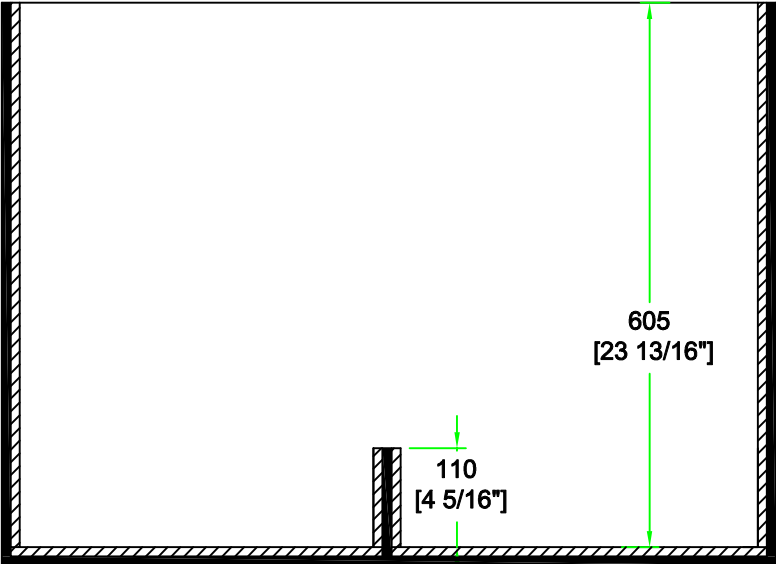


LEFT VIEW  
RIGHT VIEW

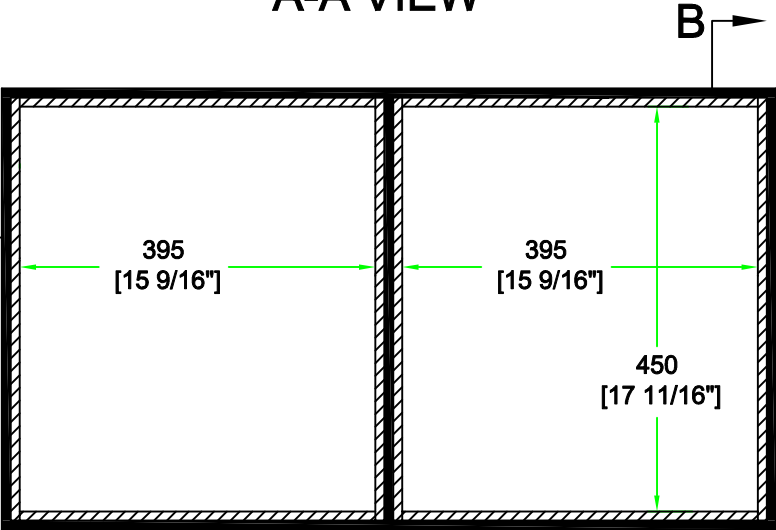
	SKU: RR2SPEAKER15	BY:	
	UPC: NA	ROAD READY CASES	
	APPROVAL SIGNATURE:	DATE:	
DRAWING DATE:	SCALE:	DRAWING NUMBER:	REVISION:
02 / 21 / 2024	1:8	1/3	NA

# RR2SPEAKER15

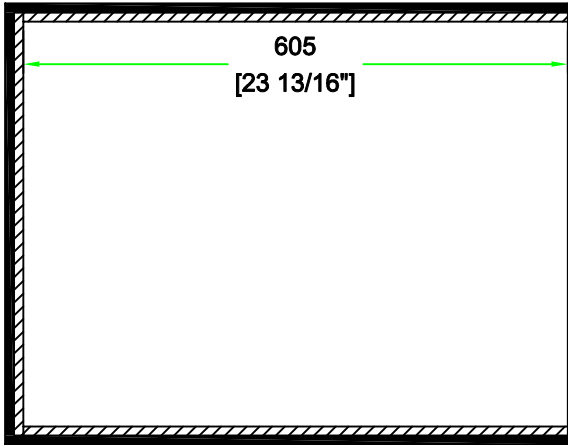
lined w/ 10mm EVA



A-A VIEW



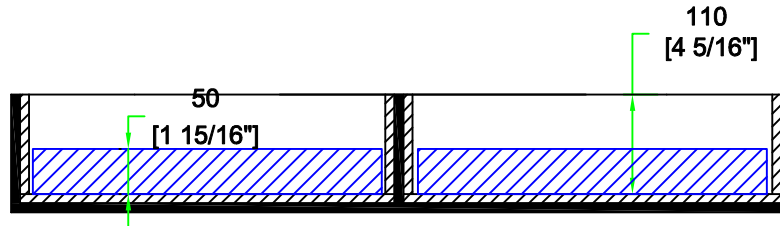
TOP VIEW OF COVER



B-B VIEW

	SKU: RR2SPEAKER15	BY:	
	UPC: NA	ROAD READY CASES	
	APPROVAL SIGNATURE:	DATE:	
DRAWING DATE:	SCALE:	DRAWING NUMBER:	REVISION:
02 / 21 / 2024	1:8	2/3	NA

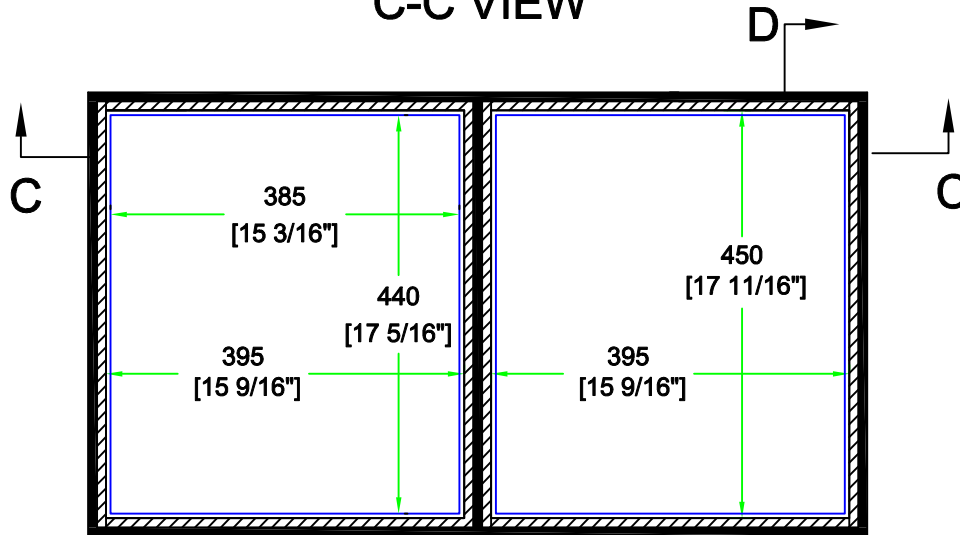
# RR2SPEAKER15



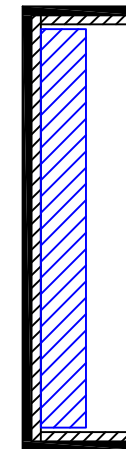
C-C VIEW

lined w/ 10mm EVA

removable hard foam (50mm thick):  
440\*385 x2 pcs



TOP VIEW OF BASE



D-D VIEW

	SKU: RR2SPEAKER15	BY:	
	UPC: NA	ROAD READY CASES	
	APPROVAL SIGNATURE: _____	DATE: ____/____/____	
DRAWING DATE:	SCALE:	DRAWING NUMBER:	REVISION:
02 / 21 / 2024	1:8	3/3	NA