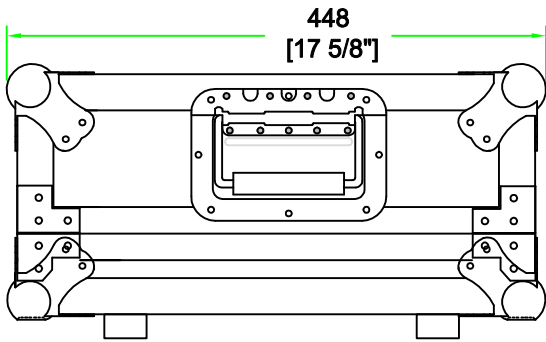
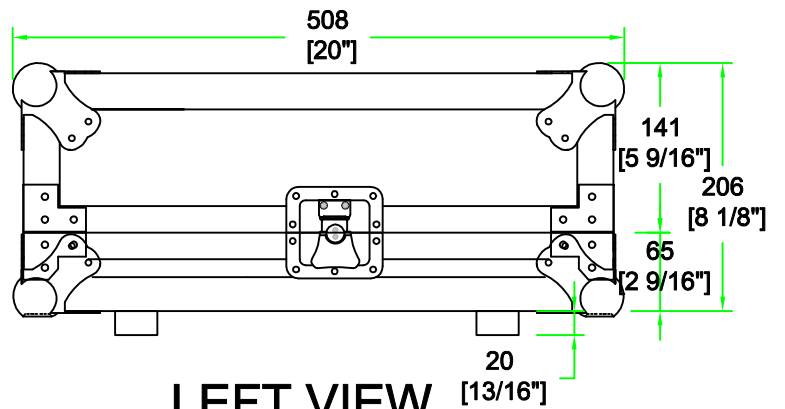


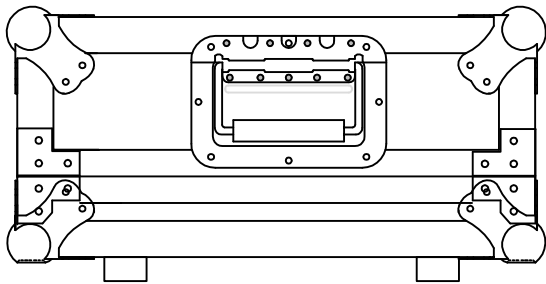
# RRVSS12



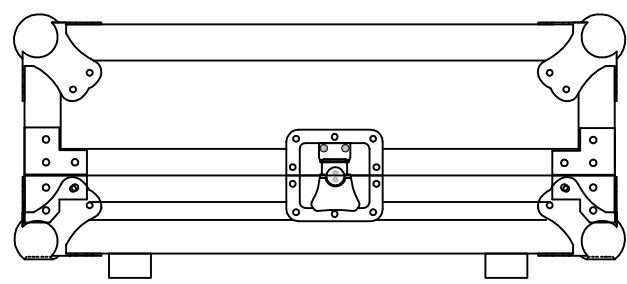
**FRONT VIEW**



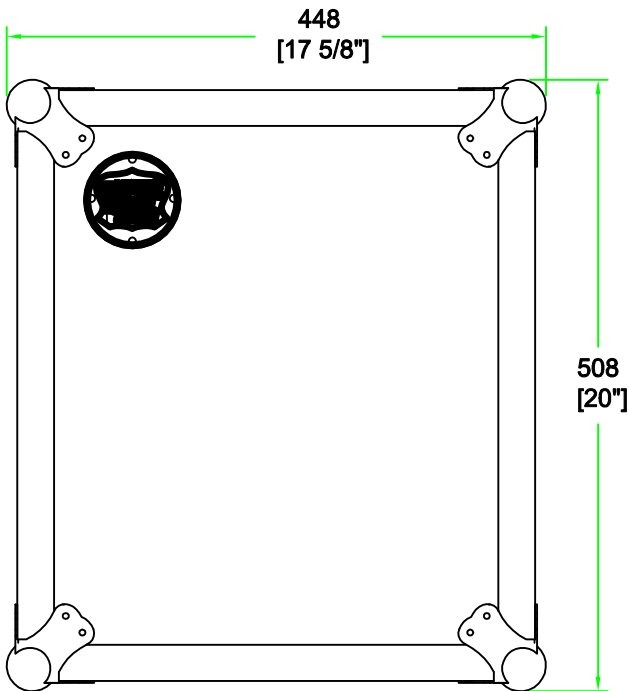
**LEFT VIEW**



**BACK VIEW**




**RIGHT VIEW**

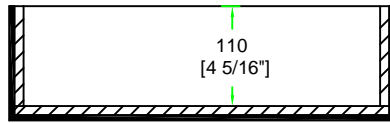


**TOP VIEW**

with 5mm plywood

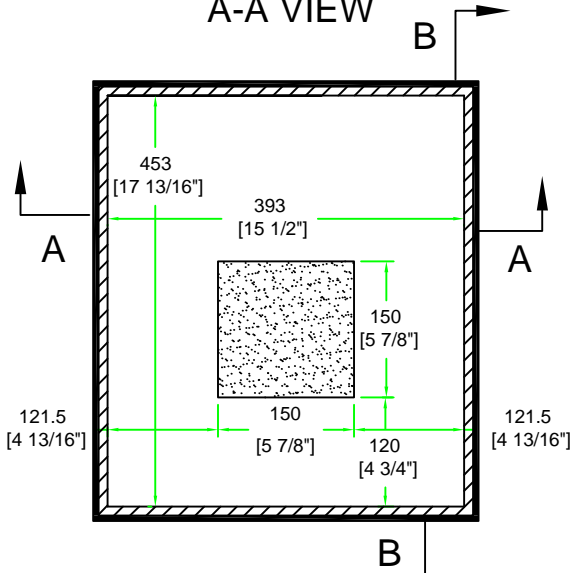
	SKU: RRVSS12	BY:
	UPC: NA	ROAD READY CASES
APPROVAL SIGNATURE: _____		DATE: _____
DRAWING DATE: 09 / 23 / 2016	SCALE: 1:6	DRAWING NUMBER: 1/2
		REVISION: NA

# RRVSS12

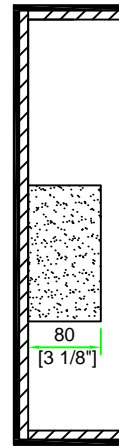


A-A VIEW

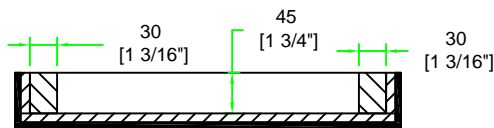
with 10mm eva in cover



TOP VIEW OF COVER

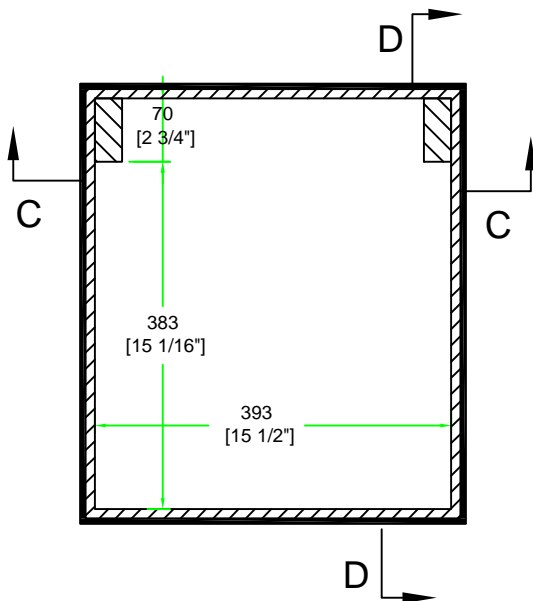


B-B VIEW

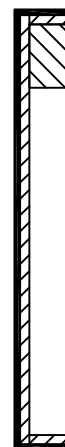


C-C VIEW

with 10mm eva in base



TOP VIEW OF BASE



D-D VIEW

	SKU: RRVSS12	BY:	
	UPC: NA	ROAD READY CASES	
	APPROVAL SIGNATURE: _____ DATE: _____		
DRAWING DATE: 09 / 23 / 2016	SCALE: 1:8	DRAWING NUMBER: 2/2	REVISION: NA