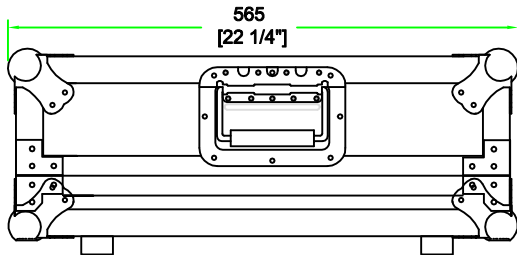
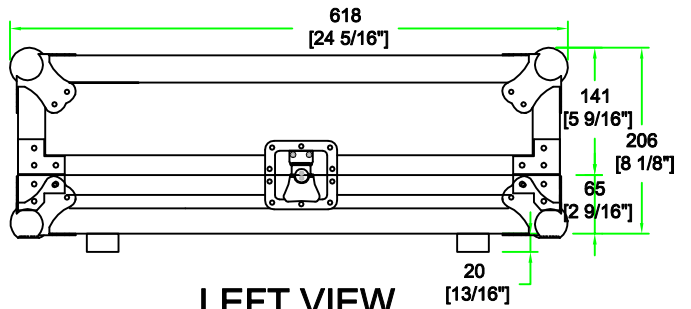


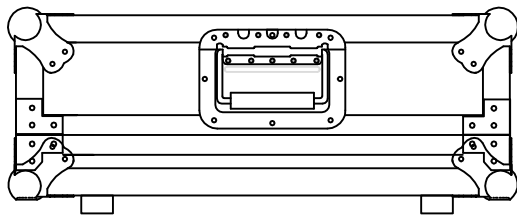
RRVSS16



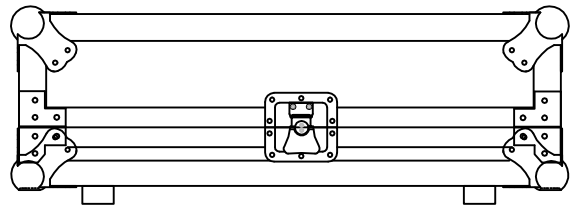
FRONT VIEW



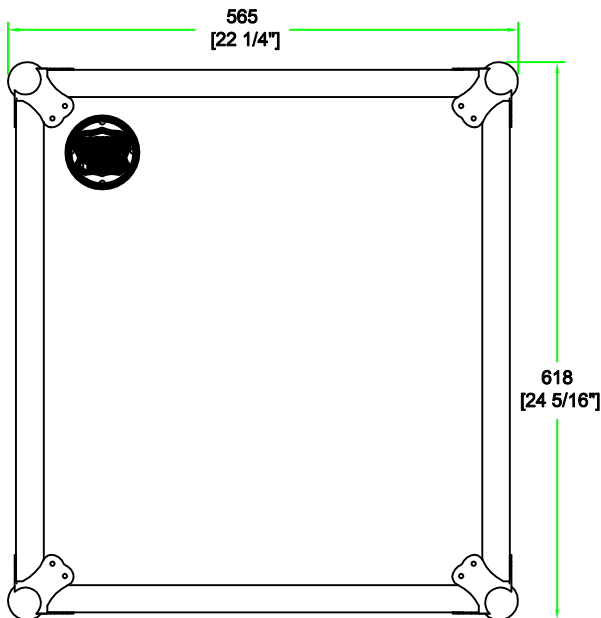
LEFT VIEW



BACK VIEW



RIGHT VIEW

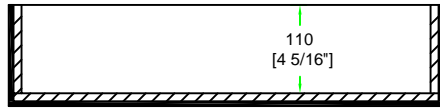


TOP VIEW

with 5mm plywood

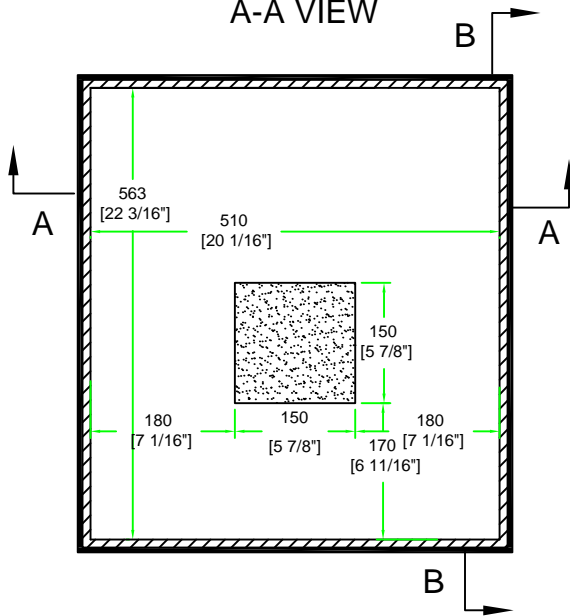
	SKU: RRVSS16	BY:	
	UPC: NA	ROAD READY CASES	
	APPROVAL SIGNATURE :	DATE:	
DRAWING DATE :	SCALE :	DRAWING NUMBER :	REVISION :
09 / 23 / 2016	1:8	2/2	NA

RRVSS16

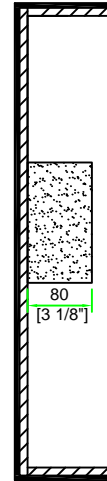


A-A VIEW

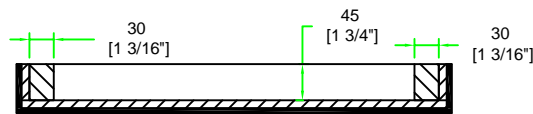
with 10mm eva in cover



TOP VIEW OF COVER

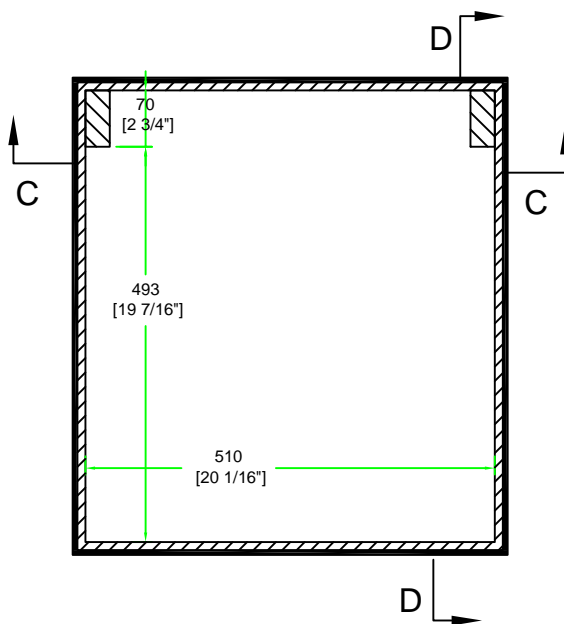


B-B VIEW

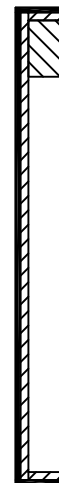


C-C VIEW


with 10mm eva in base



TOP VIEW OF BASE



D-D VIEW

	SKU: RRVSS16	BY:	
	UPC: NA	ROAD READY CASES	
	APPROVAL SIGNATURE: _____ DATE: _____		
DRAWING DATE:	SCALE:	DRAWING NUMBER:	REVISION:
09 / 23 / 2016	1:9	2/2	NA