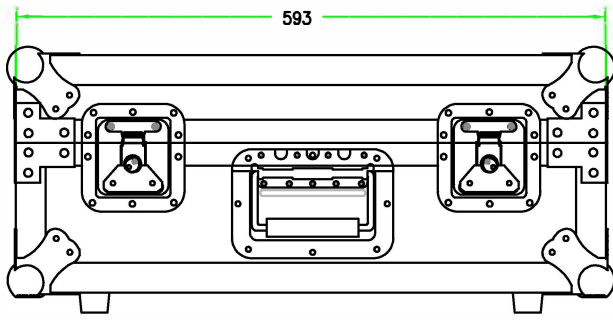
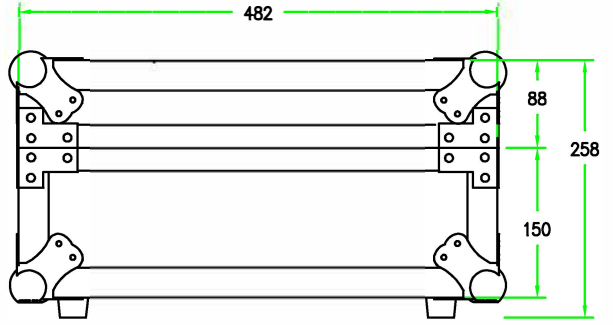


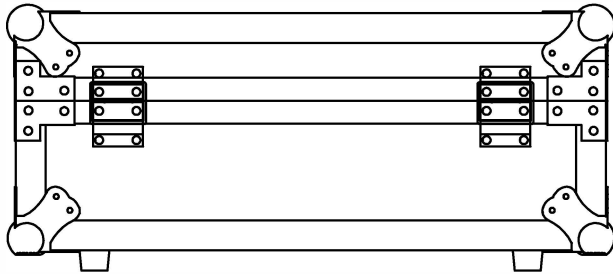
RRC-RRFC2-561X450X200



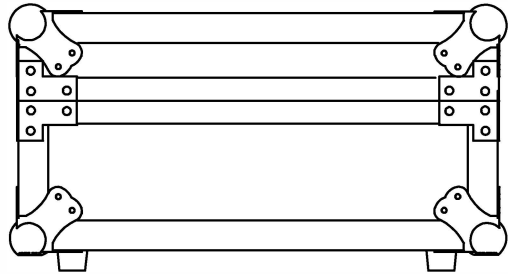
FRONT VIEW



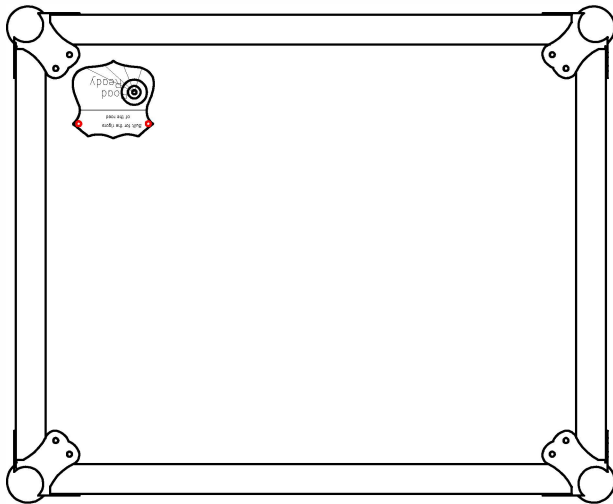
LEFT VIEW




BACK VIEW



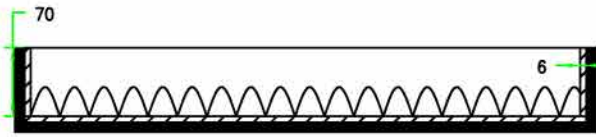
RIGHT VIEW



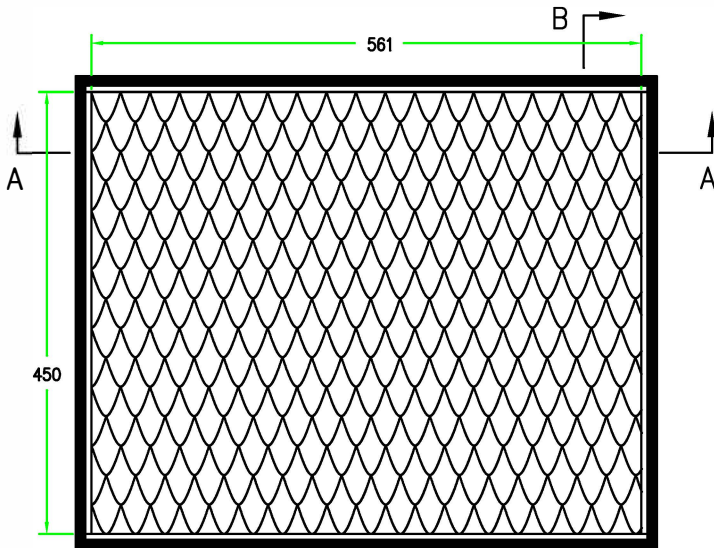
TOP VIEW

	SKU : RRFC201	BY:	
	UPC : NA	ROAD READY CASES	
	APPROVAL SIGNATURE: _____ DATE: _____		
	DRAWING DATE:	SCALE:	DRAWING NUMBER:
08 / 26 / 2023	1:7	1/2	NA

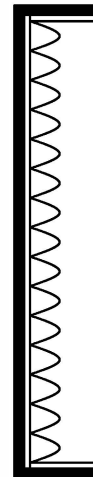
RRC-RRFC2-561X450X200



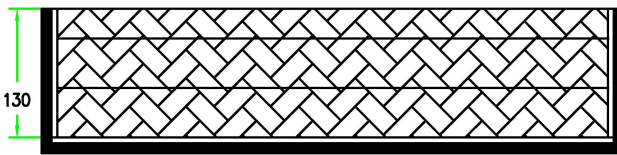
A-A VIEW



TOP VIEW OF COVER

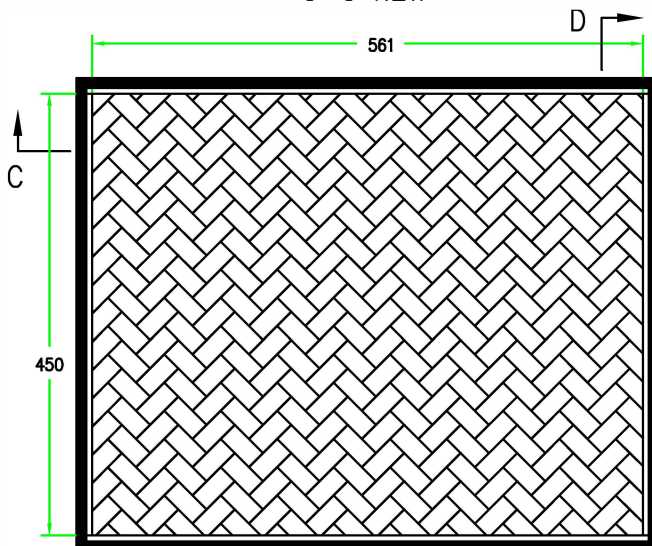


B-B VIEW

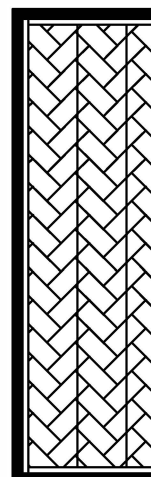


C-C VIEW


Lined w/ 6mm EVA on sides
and filled w/ 2 pcs of 50mm and
1 pc of 30mm pick-fit foam



TOP VIEW OF BASE



D-D VIEW

	SKU : RRFC201	BY:
	UPC : NA	ROAD READY CASES
APPROVAL SIGNATURE: _____		DATE: _____
DRAWING DATE:	SCALE:	REVISION:
08 / 26 / 2023	1:7	2/2 NA