

TL-056



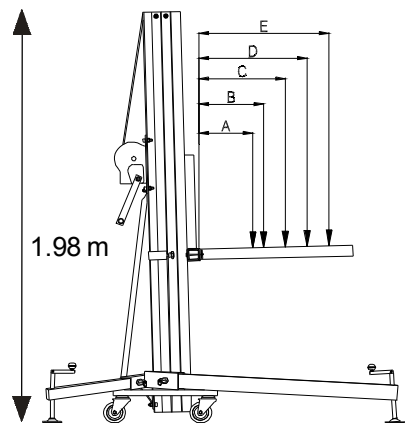
Front load aluminium towerlift with ILS security

▶▶ TECHNICAL SPECIFICATIONS

Maximum height	6,5 m
Maximum load	200 Kg
Security	ILS
Work surface	2 x 2 m
Folded height	1,98 m
Weight	94,5 Kg
Winch	900 Kg
Load support	Forks

Distance from the center of the load to the towerlift	Maximum load
---	--------------

A	25 cm	200 Kg
B	30 cm	180 Kg
C	40 cm	150 Kg
D	50 cm	128 Kg
E	60 cm	112 Kg



Intl. Tel.: +34 961 22 15 21
Tel.: 902 34 10 34 - Fax: + 34 961 22 11 77
Web: www.vmb.es - E-mail: contact@vmb.es

