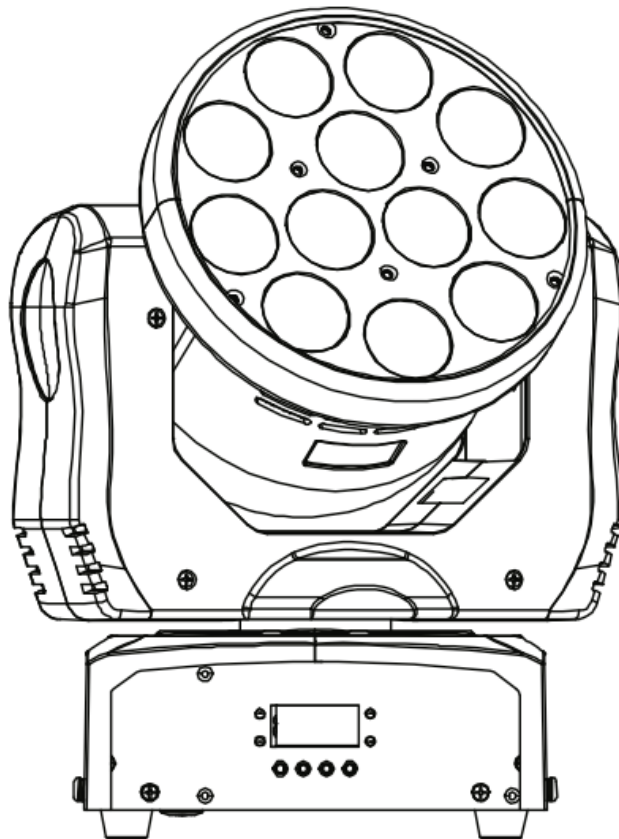




ColorKey
creative lighting



Mover Wash HEX 12

RGBAW+UV Moving Head Wash Light

CKU-5039

USER MANUAL

Table of Contents

INTRODUCTION	3
SERVICE & SUPPORT	3
DISPLAY OPERATION	4
MENU GUIDE	5
DMX VALUES	6
9 CHANNELS MODE	6
15 CHANNELS MODE	7
OPERATION	8
TROUBLESHOOTING	9
.....	10
TECHNICAL INFORMATION	10

Please read these instructions carefully before use. Operating this fixture according to these instructions is important to avoid any possible damage or accidents caused by misuse.

Introduction

Package Contents

- Mover Wash HEX 12
- Power Cable
- Hanging Brackets
- User Manual

Caution! Opening this unit voids warranty. Contact ColorKey for any service requests.

Warning! To avoid electrical shock, be sure to disconnect power before any service or when moving or setting up the fixture.

Caution! Avoid direct eye exposure with the fixture when on.

- This fixture is for indoor use only.
- Do not install or operate this fixture near flammable materials.
- This device must be installed, operated, and maintained by a qualified professional.
- Please check if the voltage is in accordance with the rated power before installing.
- Do not operate this fixture if the power cord has been damaged. Turn off fixture and replace with a power cord of similar rating.

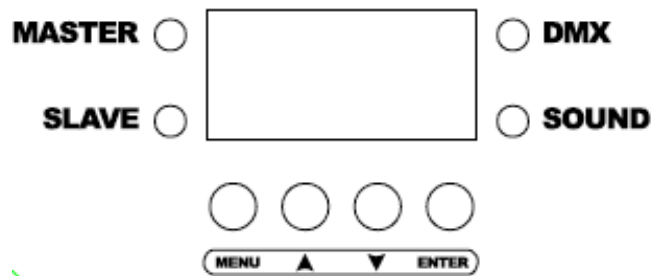
Service & Support

Your ColorKey product includes a 2-year warranty. For technical support or to register your product, please visit <https://www.colorkeyled.com/support/>

You can also reach us by phone Monday thru Friday, 8:30am – 5pm PST at (818) 578-4030.



Display Operation



- Menu: Access the menu/Scroll through menu options (*Hold Menu for two seconds to exit the menu and return to your chosen program)
- Up: Scroll through menu selections or increase parameters
- Down: Scroll through menu selections or parameter decrease
- Enter: Open/Select the current menu option

Menu Guide

Menu Item	Values	Function
Addr	A001-A512	DMX Address setting
ChNd	9ch / 15ch	Channel selection mode
ShNd	Show0-Show4	Performance modes
SLNd	NASt / SLV1 / SLV2	Master / Slave settings
Soun	No/Yes	Sound active mode
SEnS	0-100	Sound active sensitivity
Blnd	No/Yes	Boot pause mode
Pan	No/Yes	X motor forward / reverse
Tilt	No/Yes	Y motor forward / reverse
LED	No/Yes	Display on / off during use
Disp	Yes / No	Invert the LED display
Bala	R:125-255,B:125-255,G:125-255	White balance setting- Add or decrease red, green and blue to create White Balance temp.
Test		Self-performance test. The light will color cycle pan and tilt on its own
Temp	-20-100C	Temperature of the light will be displayed
Fhrs5		Displays number of hours used
uEr		NA
rESt		Reset light to out of box settings

DMX Values

5 Channels Mode

Channel	Value	Function
1	000-007	Off
	008-255	Dimmer (0 to 100)
2	000-007	Open
	008-037	Random Strobe
	038-067	Sound Active Strobe
	068-255	Strobe (Rate from slow to fast)
3	000-007	No Function
	008-0037	Red
	038-067	Green
	068-097	Blue
	098-127	White
	128-157	Orange
	158-187	UV
	188-247	Color fade (Slow to fast)
4	248-255	Color chase
	000-007	No Function
	008-037	Pan/Tilt movement 1
	038-067	Pan/Tilt movement 2
	068-097	Pan/Tilt movement 3
	098-127	Pan/Tilt movement 4
	128-157	Pan/Tilt movement 5
	158-187	Pan/Tilt movement 6
	188-217	Pan/Tilt movement 7
218-247	Pan/Tilt movement 8	
5	248-255	Pan/Tilt movement 9
	000-007	Hold
	008-247	Manual speed (Slow to fast)
	248-255	Sound Active Response

9 Channels Mode

Channel	Value	Function
1	0-255	Pan motor adjustment
2	0-255	Tilt motor adjustment
3	0-199	Dimmer from dark to bright
	200-250	Strobe from slow to fast
	251-255	All bright
4	0-255	Red
5	0-255	Green
6	0-255	Blue
7	0-255	White
8	0-255	Amber
9	0-255	UV

15 Channels Mode

CH	Value	Function
1	0-255	Pan motor adjustment
2	0-255	Fine pan motor adjustment
3	0-255	Tilt motor adjustment
4	0-255	Fine tilt motor adjustment
5	0-255	Pan & Tilt speed
6	0-255	Dimmer from dark to bright (Ch 14 Must be Open)
7	0-255	Red
8	0-255	Green
9	0-255	Blue
10	0-255	Amber
11	0-255	White
12	0-255	UV
13	008-255	Auto color programs
14	008-131	Strobe from slow to fast
	132-139	Open
	140-181	Strobe effect 1
	182-189	Open
	190-231	Strobe effect 2
	232-239	Open
	240-247	Random flashes
	248-255	Open
15	128-255	Sound active (001-127 No function)

Operation and Control

Fine tuning your Mover Wash Hex 12 start position

The Mover Wash HEX 12 offers the ability to adjust your starting position should your lights begin to vary after use due to bumps received during transit or use

- To enter adjustment program, press Menu and hold Enter key for 3 seconds
- Use Up and Down navigation arrows to select Pan or Tilt, pressing enter to make your selection.
- You may now enter fine adjustments from -127 to 127 for both Pan and Tilt to start your light in its desired position.
- Press Enter to confirm your selection and Menu to exit adjustments program.
- Your Mover Wash will now start at desired position going forward.

Controlling your Mover Wash HEX 12 using a DMX controller:

- Use a DMX cable to connect your Mover Wash HEX 12 to the DMX in/out sockets on the bottom of the light.
- Set desired DMX address for your light

Using Master/Slave Mode:

The Master/Slave mode allows a group of Mover Wash HEX 12 units (the slaves) to duplicate the output of another Mover Wash HEX 12 (the master) without a DMX controller.

1. Set each of the slaves:

- Go to SLNd in the main menu and press enter.
- Select SL1.

2. Set the master:

- Go to SLNd in the main menu and press enter.
- Select NAST.

- The master (NAST) is the unit that runs your program whether in one of the static color modes or various Auto programs.

Using Slave modes (SL1, SL2) to create a light show

Using 4 or more lights for best effect, Mover Wash HEX can help create auto-light shows by engaging Auto Programs on the Master fixture and having slaves connected in varying sequences to display varied yet synchronized light shows.

1. Set each of the desired slaves SL1, SL2:

- Go to SLNd in the main menu and press enter.
- Select SL1.
- Repeat steps for each slave fixture SL1 and SL2

2. Set the master:

- Go to SLNd in the main menu and press enter.
 - Select NAST.
- Accessing the (ShNd) programs on the Master light will now create varying displays of synchronized light on the master and slave fixtures through (Auto) and (SoUn) functions.

Troubleshooting

Problems	Solutions
No DMX Control	Ensure your DMX controller is sending signal and you are using a proper and working DMX cable.
Head position is off centered at startup	See directions on pg. 7 "Fine tuning your Mover Wash Hex 12 start position"
Master / Slave	For a direct copy of the master (NAST), select SL1. For a synchronized yet varied Auto Show, select SL2.

Technical Information

- 12x12W RGBAW+UV LED Wash Light
- DMX Channel Modes: 9 / 15 channels
- Control modes: DMX 512, Master /Slave, Sound active, Auto programs
- Pan: 540o
- Tilt: 270o
- Power consumption: 160W
- Power supply: AC90-230V; 50-60Hz
- Weight: 6.4lb
- Measurements: 10.25in. x 7.14in. x 6.25in.

Please note: As we continue to work towards improving our products and your experience as a user, we recommend that you check our website periodically for updates to user manuals and specifications at www.ColorKeyLED.com or you may contact us directly at info@colorkeyled.com.