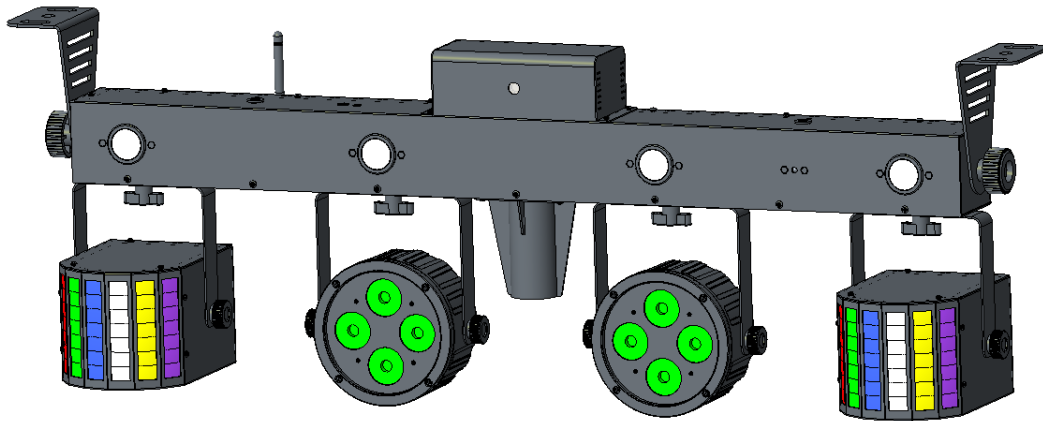


# PARTYBAR

*Mobile 250*



**CKU-3070**

USER MANUAL



**ColorKey**  
creative lighting

# Table of Contents

**TABLE OF CONTENTS ..... 2**

**INTRODUCTION ..... 3**

**SERVICE & SUPPORT ..... 3**

**STAND SETUP INSTRUCTIONS ..... 5**

**UNPACKING & REPACKING ..... 6**

**MOUNTING ..... 6**

**PRODUCT OVERVIEW ..... 7**

**DISPLAY OPERATION ..... 9**

**MENU GUIDE ..... 10**

**DMX VALUES ..... 11**

**STAND ALONE CONTROL SETTINGS ..... 17**

**WIRED DMX CONNECTIONS ..... 18**

**WIRELESS DMX CONNECTIONS ..... 19**

**IR REMOTE OVERVIEW ..... 21**

**WIRELESS FOOTSWITCH (SOLD SEPARATELY) ..... 22**

**BATTERY LIFE AND SPECIFICATIONS ..... 23**

**MAINTENANCE ..... 24**

**TROUBLESHOOTING ..... 24**

**TECHNICAL INFORMATION ..... 25**

*Please read these instructions carefully before use. Operating this fixture according to these instructions is important to avoid any possible damage or accidents caused by misuse.*

## Introduction

### Package Contents

- PartyBar Mobile 250
- 7 ft. Stand
- Power Cable
- IR Remote
- Antenna x2
- QR Manual
- Laser on/off key
- Carrying Case
- Mounting Brackets

**Caution!** Opening this unit voids warranty. Contact ColorKey for any service requests.

**Warning!** To avoid electrical shock, be sure to disconnect power before any service or when moving or setting up the fixture.

## Service & Support

Your ColorKey product includes a 2-year warranty. For technical support or to register your product, please visit <https://www.colorkeyled.com/support/>

You can also reach us by phone Monday thru Friday, 8:30am –5pm PST at (818) 578-4030.



## Stand Setup Instructions

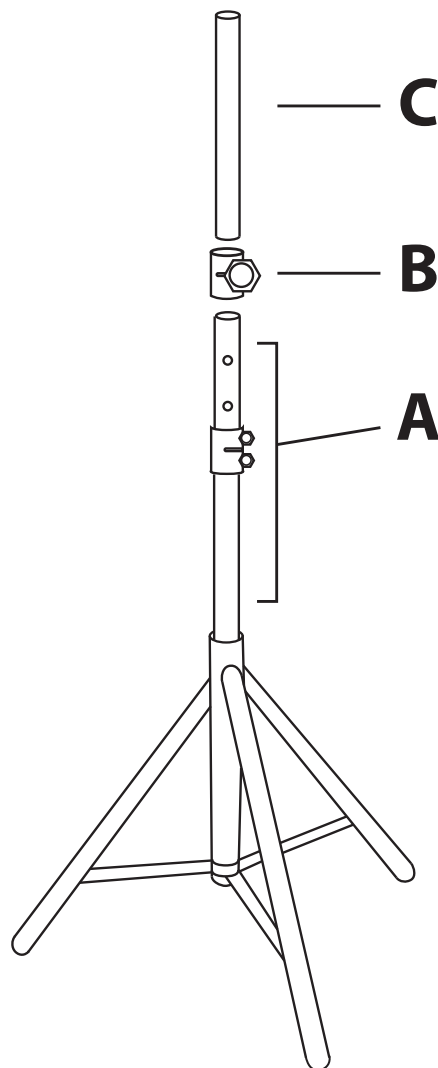
### PLEASE READ CAREFULLY BEFORE USING THE STAND TO AVOID DAMAGE AND INJURY

The PartyBar tripod stand includes a removable extension pole, which has the advantage of shrinking the footprint of the stand when disassembled, for ease of transportation. With the extension pole installed, the stand can lift your fixtures over 7ft in the air.

Max Weight Capacity

25 lbs

To use the extension pole, simply press the connection collar (B) to the top of the tripod (A), then insert the extension (C) into the collar. Push down until both poles are fully inserted into the collar and tighten the knob.



**WARNING!** In order to avoid accidents, it is highly recommended to weigh down the base of the tripod using counterweights or sandbags while the stand is set to maximum height. Failure to do so may result in the stand being tipped over accidentally, causing damage and bodily injury.

## Unpacking & Repacking

*Please read these instructions carefully before packing. Packing this fixture according to these instructions is important to avoid any possible damage or accidents during transport and storage.*

When packing your PartyBar Mobile 250 please be sure that:

- The unit is placed face down with derby fixtures pointing in a downward direction
- You remove wireless and footswitch antenna
- You remove laser on/off key
- You remove mounting brackets
- The retainer strap does not hang out of case when closing the zipper

## Mounting

### Orientation

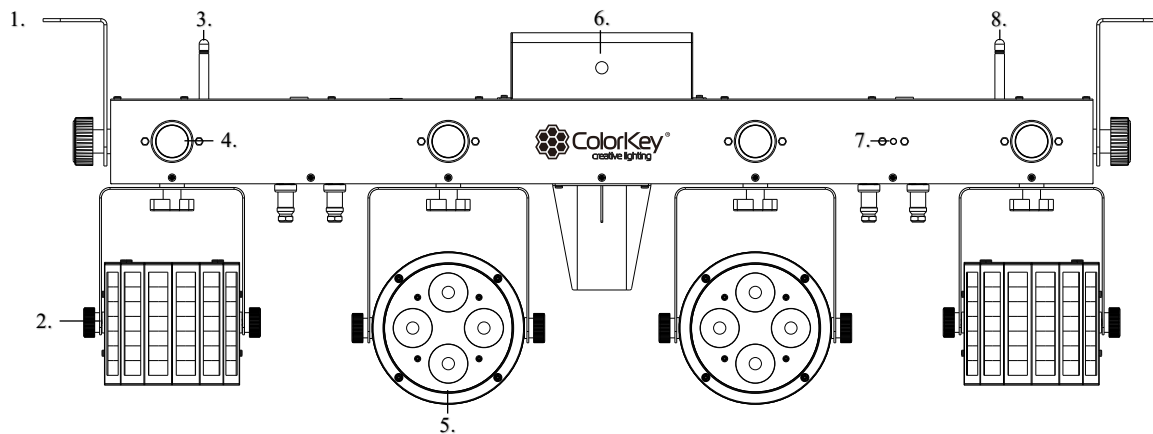
PartyBar Mobile 250 may be mounted in any position; however, make sure there is adequate ventilation around the product.

### Rigging

- Before deciding on a location, make sure there is easy access to the product for maintenance and programming.
- Make sure adequate ventilation is provided around the product.
- Make sure that the structure or surface onto which you are mounting the product can support the products weight.
- Mount the product securely to a rigging point, weather an elevated platform or a truss.
- When rigging the product onto a truss, use a mounting clamp of the appropriate weight capacity.
- When power linking multiple products, mount the products close enough for power linking cable to reach.

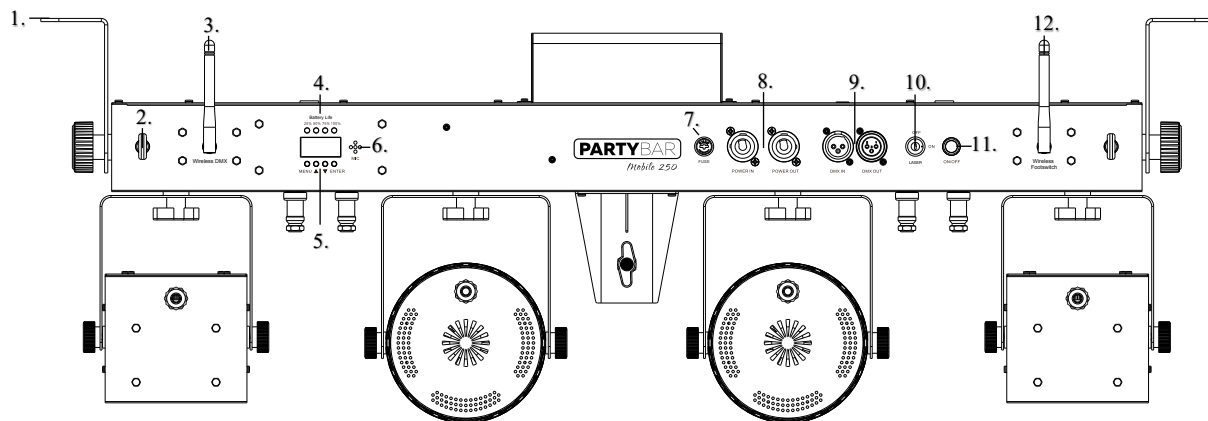
# Product Overview

## Front



- |                         |                                |
|-------------------------|--------------------------------|
| 1. Mounting Bracket     | 5. RGBW 4-in1 LED Par          |
| 2. RGBWAP LED Derby     | 6. Red & Green Laser           |
| 3. Wireless DMX Antenna | 7. Wireless IR Receiver        |
| 4. White+UV 2-in-1 LED  | 8. Wireless Footswitch Antenna |

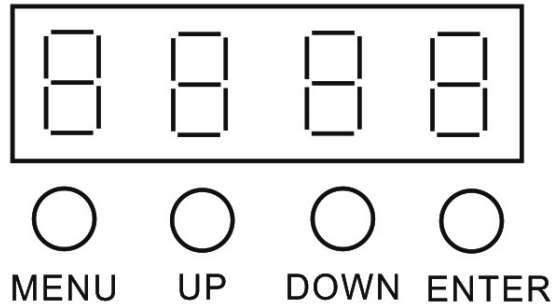
## Back



- |                           |                                 |
|---------------------------|---------------------------------|
| 1. Mounting Bracket       | 7. T3A Fuse Socket              |
| 2. Safety Eye-bolt        | 8. Locking Power In/Out         |
| 3. Wireless DMX Antenna   | 9. DMX In/Out                   |
| 4. Battery Life Indicator | 10. Laser On/Off Lock           |
| 5. Menu                   | 11. Power On/Off                |
| 6. Microphone             | 12. Wireless Footswitch Antenna |



## Display Operation



- Menu: Access the menu/Scroll through menu options
- Up: Scroll through menu selection or increase selected parameter
- Down: Scroll through menu selection or decrease a selected parameter
- Enter: Open/Select the current or selected menu option

## Menu Guide

Mode	Programming		Description
DMX	Addr	32 CH	d001-d512
		16 CH	
		3CH	
Static colors	Stat	S 01-25	Static color selections
Auto	Auto	Au1-9	Auto programs
Sound	Soun	So1-9	Sound activated program
Speed	SPEE	SP1-SP9	Speed select (slow to fast)
Sensitivity	SEnS	Se1-Se9	MIC sensitivity (low to high)
Dimming	dIMM	dI1-dI 9	Master dimming (low to high)
Silent scene	SILE	on/oFF	Specific to (Sound) mode, Silent Scene will either keep the light on, or off when music stops playing
Slave	SLAV	Slave	Slave mode will mimic Master units by way of wired or wireless DMX connections. Select SLAV for this control, otherwise the unit is a Master
Wireless 2.4G	24G	1r__	Red or Ch. 1 Wireless Connection
		2_G_	Green, Ch. 2 Wireless Connection
		3rG_	Yellow, Ch. 3 Wireless Connection
		4__b	Blue, Ch. 4 Wireless Connection
		5r_b	Magenta, Ch. 5 Wireless Connection
		6_Gb	Cyan, Ch. 6 Wireless Connection
		7rGb	White, Ch. 7 Wireless Connection
ECO PRO Power Saving	ECO	OFF	Regular operating mode at full brightness
		ON	Energy saving mode, at a slightly reduced brightness (to White+UV 2-in-1 LEDs))
		S-EC	Super energy saving mode at a significant reduction in brightness
IR Remote	InFr	On/off	Enable or disable the IR remote
Foot	Foot	on/oFF	Enable or disable a Footswitch controller (sold separately)

# DMX Values

## 3CH DMX values

CH1	0-255	Master dimming (0-100%)
CH2	0-9	No function
	10-19	Auto program 1
	20-29	Auto program 2
	30-39	Auto program 3
	40-49	Auto program 4
	50-59	Auto program 5
	60-69	Auto program 6
	70-79	Auto program 7
	80-89	Auto program 8
	90-99	Auto program 9
	100-109	Sound program1
	110-119	Sound program2
	120-129	Sound program3
	130-139	Sound program4
	140-145	Sound program5
	150-159	Sound program6
	160-169	Sound program7
170-179	Sound program8	
180-255	Sound program9	
CH3	0-255	Auto and Sound Program 1-9 speed ( From slow to fast )

## 16CH DMX values

CH1	0-255	Dimming	
CH2	0-9	No function	
	10-255	PAR Strobe (Rate 0-100%)	
CH3-4	0-9	No function	
	10-19	Red	
	20-29	Green	
	30-39	Blue	
	40-49	White	
	50-59	Yellow	
	60-69	Magenta	
	70-79	Cyan	
	80-89	Dark orange	
	90-99	Greenish- yellow	
	100-109	Salmon	
	110-119	Turquoise	
	120-129	Light Green	
	130-139	Orange	
	140-149	Straw	
	150-159	Lavender	
	160-169	Light blue	
170-179	Dark blue		
180-189	Pink		
190-255	Full on		
CH5	0-9	No function	
	10-255	Derby Strobe (Rate 0-100%)	
CH6-7	0-9	No function	
	10-19	Red	
	20-29	Green	
	30-39	Blue	
	40-49	White	
	50-59	Amber	
	60-69	UV	
	70-79	Red + Green	
	80-89	Red + Blue	
	90-99	Red + White	
	100-109	Red + Amber	

	110-119	Green + Blue	
	120-129	Green + White	
	130-139	Green + Amber	
	140-149	Blue + White	
	150-159	Blue + Amber	
	160-169	White + Amber	
	170-179	Red + Green + Blue	
	180-189	Red + Blue +White	
	190-199	Red + White +Amber	
	200-209	Red + Green +Amber	
	210-219	Red + Blue +Amber	
	220-229	Green + Blue +White	
	230-239	Green + White +Amber	
	240-249	Green + Blue +Amber	
	250-255	Red + Green + Blue+Amber+UV	
CH8	0-9	No function	
	10-255	Derby Motor Speed (speed low-fast)	
CH9	0-9	No function	Laser
	10-59	Laser Red	
	60-109	Laser Green	
	110-159	Laser Red + Green	
	160-255	Laser R+G effect group (speed low-high)	
CH10	0-9	No function	
	10-129	Motor Clockwise rotation(speed low-fast)	
	130-255	Motor counterclockwise rotation (speed low-fast)	
CH11	0-9	No function	Bar white LED
	10-255	BAR white Strobe (Rate 0-100%)	
CH12	0-9	No function	Bar white LED
	10-19	BAR white LED ON	
	20-159	Chase cycles	
	160-255	Chase running (slow to fast )	
CH13	0-9	No function	Bar UV LED
	10-255	BAR UV Strobe (Rate 0-100%)	
CH14	0-9	No function	Bar UV LED
	10-19	BAR UV LED ON	
	20-159	Chase cycles	
	160-255	Chase running (slow to fast )	
CH15	0-9	No function	

	10-19	Auto program 1
	20-29	Auto program 2
	30-39	Auto program 3
	40-49	Auto program 4
	50-59	Auto program 5
	60-69	Auto program 6
	70-79	Auto program 7
	80-89	Auto program 8
	90-99	Auto program 9
	100-109	Sound program 1
	110-119	Sound program 2
	120-129	Sound program 3
	130-139	Sound program 4
	140-145	Sound program 5
	150-159	Sound program 6
	160-169	Sound program 7
	170-179	Sound program 8
	180-255	Sound program 9
CH16	0-255	Auto and Sound Program 1-9 speed ( From slow to fast )

### 32CH DMX values

CH1	0-255	Master dimming (0-100%)	
CH2	0-9	No function	
	10-255	PAR Strobe (Rate 0-100%)	
CH3	0-255	Red (0-100%)	PAR1
CH4	0-255	Green (0-100%)	
CH5	0-255	Blue (0-100%)	
CH6	0-255	White (0-100%)	
CH7	0-255	Red (0-100%)	PAR2
CH8	0-255	Green (0-100%)	
CH9	0-255	Blue (0-100%)	
CH10	0-255	White (0-100%)	
CH11	0-9	No function	
	10-255	Derby Strobe (Rate 0-100%)	
CH12	0-255	Red (0-100%)	DERBY1
CH13	0-255	Green (0-100%)	

CH14	0-255	Blue (0-100%)	
CH15	0-255	White (0-100%)	
CH16	0-255	Amber (0-100%)	
CH17	0-255	UV (0-100%)	
CH18	0-255	Red (0-100%)	DERBY2
CH19	0-255	Green (0-100%)	
CH20	0-255	Blue (0-100%)	
CH21	0-255	White (0-100%)	
CH22	0-255	Amber (0-100%)	
CH23	0-255	UV (0-100%)	
CH24	0-9	No function	
	10-255	Derby Motor Speed (speed low-fast)	
CH25	0-9	No function	Laser
	10-59	Laser Red	
	60-109	Laser Green	
	110-159	Laser Red + Green	
CH26	160-255	Laser R+G effect group speed low-high)	
	0-9	No function	
	10-129	Clockwise motor rotation(speed low-fast)	
CH27	130-255	Counterclockwise motor rotation (speed low-fast)	
	0-9	No function	
CH28	10-255	bar white Strobe (Rate 0-100%)	Bar white LED
	0-9	No function	
	10-19	Bar white LED ON	
	20-159	Chase cycles	
CH29	160-255	Chase running (slow to fast )	
	0-9	No function	
CH30	10-255	Bar UV Strobe (Rate 0-100%)	Bar UV LED
	0-9	No function	
	10-19	Bar UV LED on	
	20-159	Chase cycles	
CH31	160-255	Chase running (slow to fast )	
	0-9	No function	
	10-19	Auto program 1	
	20-29	Auto program 2	
	30-39	Auto program 3	
	40-49	Auto program 4	
	50-59	Auto program 5	

	60-69	Auto program 6
	70-79	Auto program 7
	80-89	Auto program 8
	90-99	Auto program 9
	100-109	Sound program 1
	110-119	Sound program 2
	120-129	Sound program 3
	130-139	Sound program 4
	140-145	Sound program 5
	150-159	Sound program 6
	160-169	Sound program 7
	170-179	Sound program 8
	180-255	Sound program 9
CH32	0-255	Auto and Sound Program 1-9 speed ( From slow to fast )



## Stand Alone Control Settings

To use your PartyBar Mobile 250 without a DMX Controller, use one of the various standalone modes below.

### Static Color Programs

To run the PartyBar Mobile 250 in a Static color, do the following:

1. Press (Menu)
2. Use (Up) or (Down) to select Stat
3. Use (Up) or (Down) to select Color S 01- S 25
4. Press (Enter)

### Automatic Programs

To run the PartyBar Mobile 250 in Automatic Mode, follow the instructions below:

1. Press (Menu)
2. Use (Up) or (Down) to select Auto
3. Use (Up) or (Down) to select show Au1-9
4. Press (Enter)

### Sound Active Mode

To run the PartyBar Mobile 250 in Sound-Active mode, do the following:

1. Press (Menu)
2. Use (Up) or (Down) to select Soun
3. Press (Enter)
4. Use (Up) or (Down) to select So1-9
5. Press (Enter)

### Sound Sensitivity

To set the Sound Active sensitivity on the PartyBar Mobile 250, follow the instructions below:

1. Press (Menu)
2. Use (Up) or (Down) to select SEnS
3. Press (Enter)
4. Use (Up) or (Down) to select sensitivity from Se1-Se9 (low to high)
5. Press (Enter)

## Wired DMX Connections

Your unit will automatically be in Master mode unless menu option SLAV is selected from the onboard display. To connect a Master to a Slave, you will need to link the DMX (Out) of your Master unit to the DMX (In) of your Slave unit by a wired DMX connection.

### Slave products:

To set Slave on the unit you wish to control from the Master, do the following:

1. Press (Menu)
2. Use (Up) or (Down)) to select SLAV
3. Press (Enter)

### Using a DMX controller:

1. Power on your PartyBar Mobile 250
2. Connect to a DMX controller with a DMX cable plugged into the DMX (In) port of your PartyBar Mobile 250 unit.
3. The fixture will default to DMX address 001.
  - a. The DMX address can now be set as needed for programming.
4. Use (Up) or (Down) to select (Addr)
5. Press (Enter)
6. Use (Up) or (Down) to select operating Channel Mode, (3ch, 16Ch or 32Ch)
7. Press (Enter)
8. Use (Up) or (Down) to set DMX Address (d001-d512)
9. Press (Enter)

## Wireless DMX Connections

Your PartyBar Mobile 250 unit can connect wirelessly to other units using 2.4G wireless DMX networks 1-7. It can act as the Master controller or be controlled as Slave, or by wireless DMX. To do so, follow the instructions below.

### Wireless Network Overview:

1r__	Red or Ch. 1 Wireless Network
2_G_	Green, Ch. 2 Wireless Network
3rG_	Yellow, Ch. 3 Wireless Network
4__b	Blue, Ch. 4 Wireless Network
5r_b	Magenta, Ch. 5 Wireless Network
6_Gb	Cyan, Ch. 6 Wireless Network
7rGb	White, Ch. 7 Wireless Network

### Slave products:

To set your units as SLAV you wish to control from the Master, do the following:

1. Press (Menu)
2. Use (Up) or (Down) to select SLAV
3. Press (Enter)
4. Use (Up) or (Down) to select 2.4G
5. Press (Enter)
6. Use (Up) or (Down) to select wireless network 1-7 (this will correspond to Master)
7. Press (Enter)

### Master products:

To select wireless network, do the following:

1. Press (Menu)
2. Use (Up) or (Down) to select 2.4G
3. Press (Enter)
4. Use (Up) or (Down) to select wireless 1-7
5. Press (Enter)
6. Use standalone programs, Included IR remote or Optional footswitch to control.

### **Connecting to a wireless DMX transmitter:**

To connect to a wireless DMX controller or other wireless network for control, do the following:

1. Turn on your wireless DMX transmitter
2. Turn on your PartyBar Mobile 250
3. Press (Menu)
4. Use (Up) or (Down) to select 2.4G
5. Press (Enter)
6. Use (Up) or (Down) to select wireless 1-7
7. Press (Enter)
8. The fixture will default to DMX address 001.
  - a. The DMX address can now be set as needed for programing.
9. Use (Up) or (Down) to select (Addr)
10. Press (Enter)
11. Use (Up) or (Down) to select operating Channel Mode, (3ch, 16Ch or 32Ch)
12. Press (Enter)
13. Use (Up) or (Down) to set DMX Address (d001-d512)
14. Press (Enter)

## IR Remote Overview

To use the IR remote, simply point the remote at the IR receiver on the lighting fixture while pressing your desired selection. The IR receiver on the PartyBar Mobile 250 is located on the front face of the unit.

**\*THE IR REMOTE WILL NOT WORK IF A DMX CABLE IS CONNECTED TO THE INPUT**

### BLACK OUT

1. Press **BLACK OUT** to clear the existing program mode- all lights will go off, Press **BLACK OUT** again to return to the last program mode.

### AUTO

1. Press **AUTO** on the IRC.
2. Press (+) or (-) to cycle between the different AUTO programs.

### SOUND

1. Press **SOUND** on the IRC.
2. Press (+) or (-) to choose between the different SOUND programs.

### STROBE

1. Press **STROBE** on the IRC.
2. Press (+) or (-) to adjust the strobe rate.
3. Press **STROBE** again to turn off the strobe.

### SPEED

1. Press **SPEED** on the IRC.
2. Press (+) or (-) to adjust the auto/sound program speed.

### SENSITIVITY

1. Press **SENSITIVITY** on the IRC.
2. Press (+) or (-) to adjust the microphone sensitivity value on the light.

### DMX / %

1. Press to enable **DMX** or **disconnect** DMX on the product
2. Disconnecting DMX will set your fixture to last enabled program mode.

### Manual

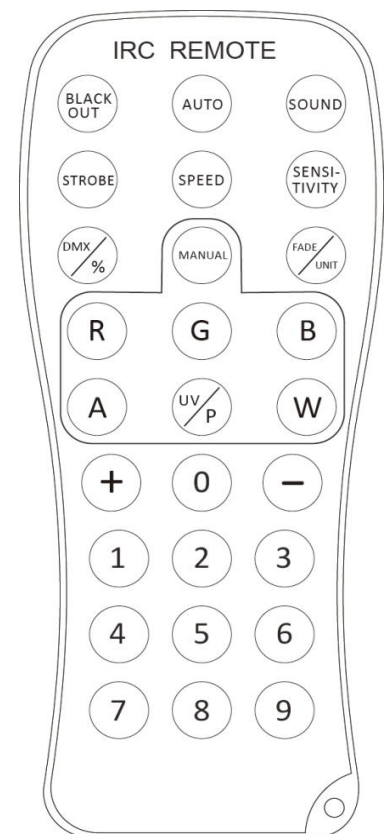
1. Press **MANUAL** on the IRC.
2. Press **(R)ed**, **(G)reen**, **(B)lue**, **(W)hite**, **(A)mber** and **(UV/P)** to choose your color setting.
3. Press (+) or (-) to cycle between static colors.

### FADE / UNIT

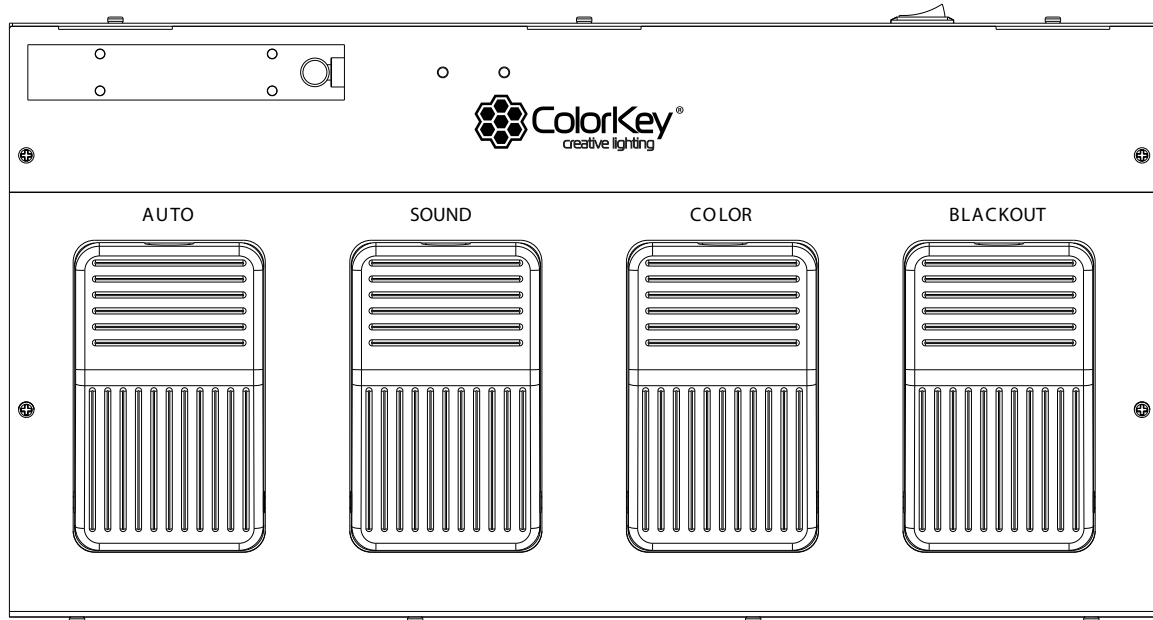
1. Press **Fade / Unit** on the IRC.
2. Press (+) or (-) to cycle between the different FADE programs.

### Numbers 0-9

1. Press from number (0) to (9) to change the brightness intensity (0 is low to 9 high).



## Wireless Footswitch (Sold Separately)



### Using the Optional Footswitch

- Ensure your PartyBar Footswitch Controller is powered on by engaging the power switch on the back of the unit and that the wireless antennae is securely connected.
- Ensure the wireless antennae is also connected on the back of your PartyBar Mobile 250 unit.
- Operate by pressing Auto, Sound Active, Color selections and Blackout.
- When Blackout is pressed, the active program will discontinue. An additional press is needed to reengage the lighting fixture and enable the last program.

### Enable the Footswitch Controller within the Menu:

1. Press (Menu)
2. Use (Up) or (Down) to select Foot
3. Press (Enter)
4. Use (Up) or (Down) to select On or Off
5. Press (Enter)

# Battery Life and Specifications

PartyBar Mobile 250 features a rechargeable lithium-ion battery for wire free use. The battery can power the light for up to 6 hours from a full charge.

The battery charges whenever the included power cable is connected and plugged into a power source. If the product is plugged in and not in operation, make sure the product is turned off.

Battery life can be viewed on the rear of your unit above the LED Menu. ECO PRO Power Saving can be enabled to extend the operating time of your fixture between charges.

### About ECO PRO PowerSaving





You can access Power Saving settings in the onboard LED menu.

- (OFF) Regular operating mode at full brightness
- (ON) Energy saving mode, at a slightly reduced brightness
- (S-EC) Super energy saving mode at a significant reduction in brightness

\*Power usage still varies dependent on the complexity of the programs used.

### About LED Indicators and Battery Life

You can view Battery Life remaining from LEDs above the onboard menu.

- Battery life 100%    
- Battery life 75%    
- Battery life 50%    
- Battery life 25%    

### Battery specification:

- Maximum working hours: 3-6H (depends on the ECO PRO Power Setting and programs you choose )
- Battery charge time: 3 hours
- Battery lifetime: average lifetime is 500 charges
- Battery Type: Fixed Lithium Battery
- Battery Voltage: 11.1 VDC
- Battery Capacity: 4400 mAH

## Maintenance

Dust build-up reduces light output performance and can cause overheating. This can lead to reduction of the light sources' life and or mechanical wear. To maintain optimum performance and minimize wear, clean your lighting products regularly after extended use. However, be aware that usage and environmental conditions could be contributing factors to increase the cleaning frequency.

To clean the product, follow the instruction below:

1. Unplug the product from power.
2. Wait until the product is at room temperature.
3. Use a vacuum (or dry compressed air) and a soft brush to remove dust collected on the external surface/vents.
4. Clean all transparent surfaces with a mild soap solution, ammonia-free glass cleaner, or Isopropyl Alcohol.
5. Apply the solution directly to a soft, lint free cotton cloth or a lens cleaning tissue.
6. Softly drag any dirt or grime to the outside of the transparent surface.
7. Gently polish the transparent surfaces until they are free of haze and lint.

## Troubleshooting

Problems	Solutions
No DMX Control	Ensure your DMX controller is sending signal and you are using a proper and working DMX cable.
No Laser Output	Make sure the Laser Key is turned to ON
No Wireless Connections are Made	Please follow instructions for wireless connections



## Technical Information

- Derby LED: (2) 6 x 3W R/G/B/W/A/UV
- Par LED: (2) 4 x 8W RGBW 4-in-1
- Bar LED: (4) 2W White-UV 2-in-1
- Laser: Red laser and Green laser
- Control Modes: DMX512, Master-Slave, Auto, Sound, IR Remote, Wi-DMX Footswitch (Optional)
- 0-100% linear dimmer
- Flash rate: 0-20Hz
- DMX Channel Modes: 3 / 16 / 32
- DMX: 3-pin XLR In/Out
- Includes mounting brackets
- Power Input Type: PowerCon In + Out
- Power Consumption: 72W
- Power Supply: AC100~240V 50/60Hz
- Fuse: T3A
- Dimensions: 31.5 x 3.5 x 12in
- Weight: 12.8 lbs

**Please note:** As we continue to work towards improving our products and your experience as a user, we recommend that you check our website periodically for updates to user manuals and specifications at [www.ColorKeyLED.com](http://www.ColorKeyLED.com) or you may contact us directly at [info@colorkeyled.com](mailto:info@colorkeyled.com).