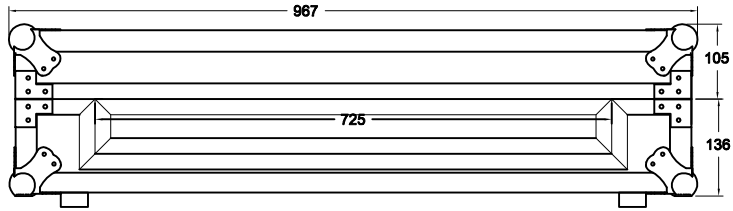
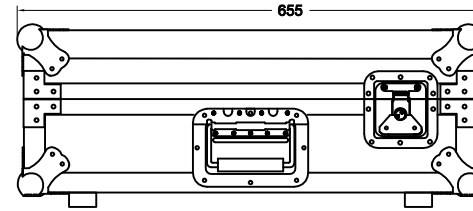


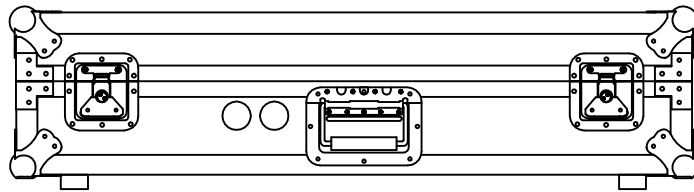
# RRXDJAZ



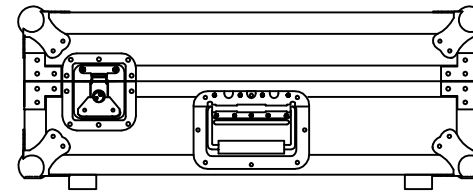
FRONT VIEW



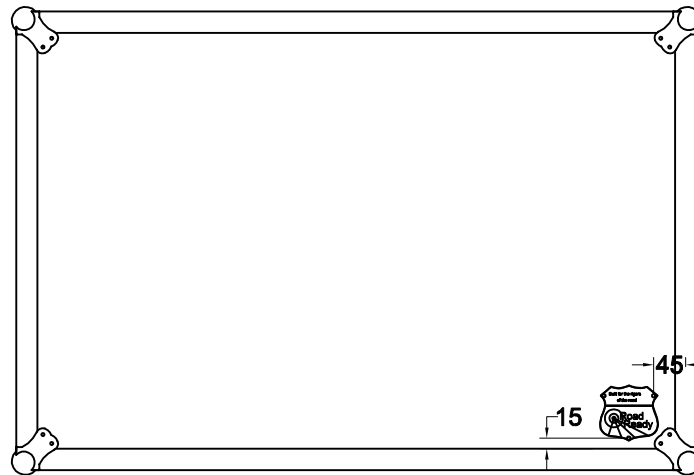
LEFT VIEW




BACK VIEW



RIGHT VIEW



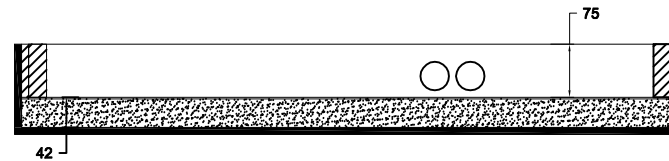
TOP VIEW

	SKU: <b>RRXDJAZ</b>	BY:	<b>ROAD READY CASES</b>
	UPC: NA		
APPROVAL SIGNATURE: _____		DATE: _____	
DRAWING DATE:	SCALE:	DRAWING NUMBER:	REVISION:
11 / 06 / 2024	1:10	1/2	NA

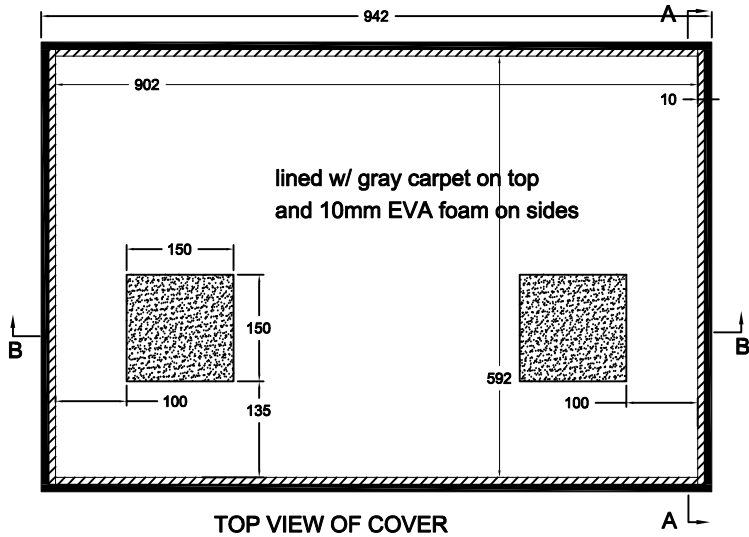
# RRXDJAZ



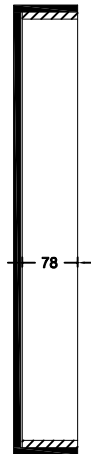
B-B VIEW



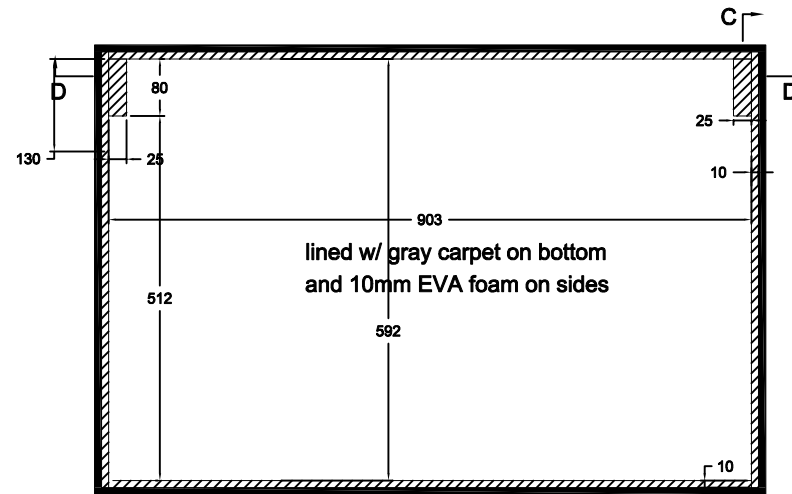
D-D VIEW



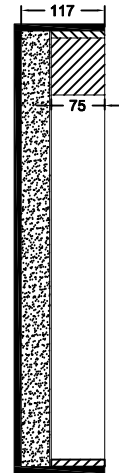
TOP VIEW OF COVER



A-A VIEW



TOP VIEW OF BASE



C-C VIEW

	SKU: <b>RRXDJAZ</b>	BY: <b>ROAD READY CASES</b>
	UPC: NA	
	APPROVAL SIGNATURE: _____	DATE: _____
DRAWING DATE: <b>11 / 06 / 2024</b>	SCALE: <b>1:10</b>	DRAWING NUMBER: <b>2/2</b>
		REVISION: <b>NA</b>