

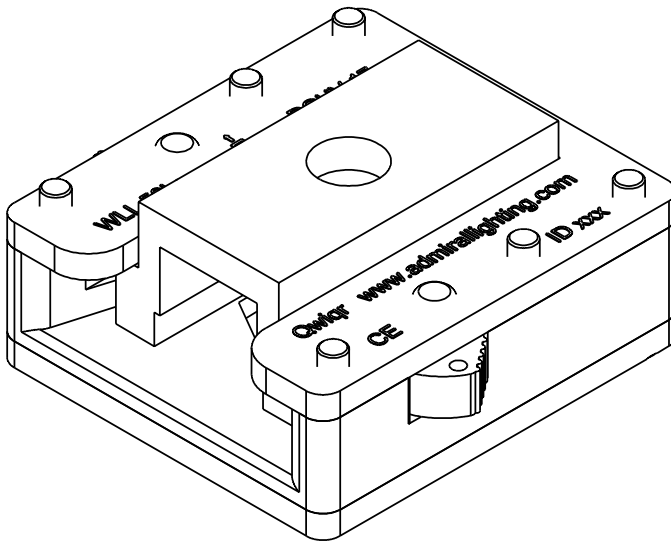


**ADMIRAL**  
STAGING

QWIQR

# QWIQR

ORIGINAL USER MANUAL



Manufacturer:

**Rolight Theatertechniek B.V.**

Josink Kolkweg 10

7545 PR Enschede , The Netherlands

Phone (+31)53 432 06 44

info@rolight.nl

www.rolight.nl

Oct. 2020

SKU: RIHASL30

Distributed by ADMIRAL

# CONTENT

<b>1.</b>	INTRODUCTION	Page 2
<b>2.</b>	SAFETY INSTRUCTION	Page 3
<b>3.</b>	SCOPE	Page 4
<b>3.1</b>	LIMITATION OF USE	Page 5
<b>4.</b>	TECHNICAL DATA + LOADCHART	Page 7
<b>4.1</b>	IDENTIFICATION	Page 8
<b>5.</b>	ASSEMBLY INSTRUCTIONS	Page 9
<b>6.</b>	DISASSEMBLY INSTRUCTIONS	Page 10
<b>7.</b>	STORAGE	Page 11
<b>8.</b>	MAINTENANCE	Page 11
<b>9.</b>	WARRANTY	Page 11
<b>10.</b>	CE CERTIFICATE	Page 12

## 1. INTRODUCTION

The intended use of the ADMIRAL Qwiqr is used to a hang load from a supporting structure. It is mostly used in temporary set ups in the entertainment market but can also be used for permanent set ups in places of entertainment like museums, event venues, theatres etc..

Clamps or couplers used to connect the Qwiqr to the supporting structure are not included. The user must use clamps with a minimum WLL (working load limit) of 100kg, and a minimum safety factor of 8:1 as required for overhead lifting.

The Qwiqr is stamped with the redundant working load safety factor to meet the German standard for loads above persons DGUV17/18 (formerly known as BGVc1)

ADMIRAL has endeavoured to deliver the highest degree of accuracy possible. However continuous improvement of our products is ADMIRAL policy. Therefore product specifications are subject to change without notice.

Readers and users are encouraged to notify ADMIRAL of errors and send in suggestions for improvements. All communications will be carefully considered for future printings of this manual and changes to our products.

## 2. SAFETY INSTRUCTIONS

Before installing and operating the Qwiqr, Please read this manual carefully and pay attention to the information provided. All persons who use and service the Qwiqr must familiarise them with the part , its proper use and safety regulations.

### LEGENDA



**DANGER:** Indicates a hazardous situation which, if not avoided, will result in death or serious injury. This signal word is to be limited to the most extreme situations.



**WARNING:** Indicates a hazardous situation which, if not avoided, could result in death or serious injury.



**CAUTION:** Indicates a hazardous situation which, if not avoided, could result in minor or moderate injury.

### NOTICE

**NOTICE:** address practices not related to personal injury.

### SAFETY INSTRUCTIONS

**SAFETY INSTRUCTIONS:** is used for lists of steps, procedures or instructions that might otherwise substitute a DANGER, WARNING or CAUTION notification. Note that equivalent phrases, such as SAFE OPERATION PROCEDURES or SAFE SHUT DOWN PROCEDURE, can be used in place of the words “SAFETY INSTRUCTIONS.”

 **WARNING**

**DO NOT lift or load above people without the following precautions:**

- Use clamps and hooks which are made for the M10 bolt-nut connection only.
- Use an approved additional secondary safety component to save the load from the supporting structure.
- A Qwiqr must be taken out of services immediately if, during use, repair or maintenance serious damages are discovered.
- Remove people from the area underneath the item to be installed.

 **WARNING**

**Use only rated, tested and certified lamp hooks / clamps to connect the Qwiqr to the load.**

 **WARNING**

**Wear appropriate Personal protection Equipment (PPE) such as hard hats and gloves during installation.**

### 3. SCOPE

The intended use of ADMIRAL Qwiqr is to create a quick-release connection between a hanging device such as a lamp hook or clamp and a load.

The assembly of a Qwiqr, lamp hook is used to suspend a load from a supporting structure like, e.g., truss constructions, grid frames or theatrical fly bars.

Loads can be lighting fixtures, video projectors, sound systems and/or set pieces.

Any use other application than mentioned is considered to be a case of misuse. Solely the user is liable for any damage or injury resulting from such cases of misuse.

 **WARNING**

**Check local legislation for the application of use.**

## 3.1 LIMITATIONS OF USE

### **WARNING**

**Exceeding the limitations of use can severely endanger audience and users.**

- The Qwiqr can be operated from -20° up to 60° Celsius
- Do not exceed the maximum working load limit stated on the product.
- Make sure the resulting forces on the supporting structure are approved by a competent person.
- All loads imposed shall be considered. E.g. dynamic forces caused by the lifting machinery.
- When loads are using electrical power, equip potential bonding shall be put in place.
- ADMIRAL Qwiqr must be inspected by a competent person as often as required but with a minimum of 1x per year. Records shall be kept.
- Inspect equipment before every use. A damaged Qwiqr shall be taken out of service .
- Outdoor use shall be approved by a competent person and might influence the load capacity. The use is the sole responsibility of the operator.
- In case of use in the vicinity of saltwater , the product shall be rinsed regularly with fresh water.
- It is also imperative to observe the local accident prevention regulations and/or occupational health and safety regulations.
- The QWIQR is not designed to work as a guide for electrical potential bonding. Users shall sufficiently ground lighting fixtures supported by the QWIQR separately.
- A Support structure on which the part is used must have lightning protection when used outdoors and the equipment itself must be grounded appropriately.

### **CAUTION**

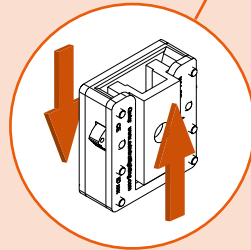
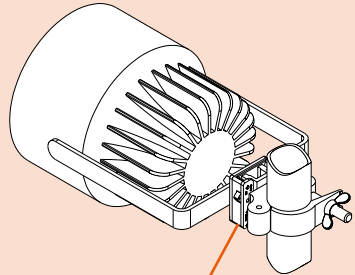
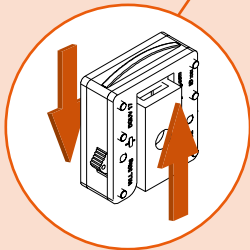
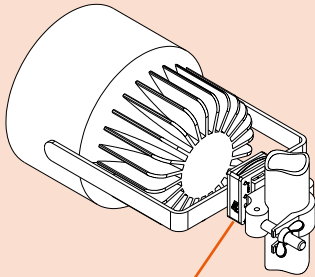
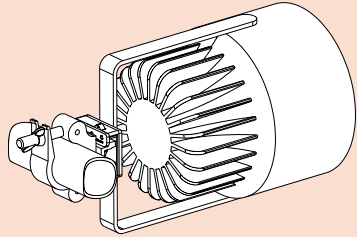
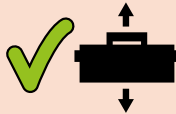
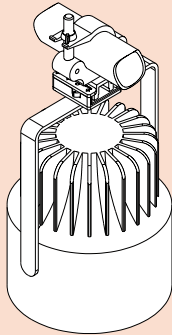
**A Qwiqr must be taken out of services immediately if, during use, repair or maintenance serious damages are discovered.**

### **NOTICE**

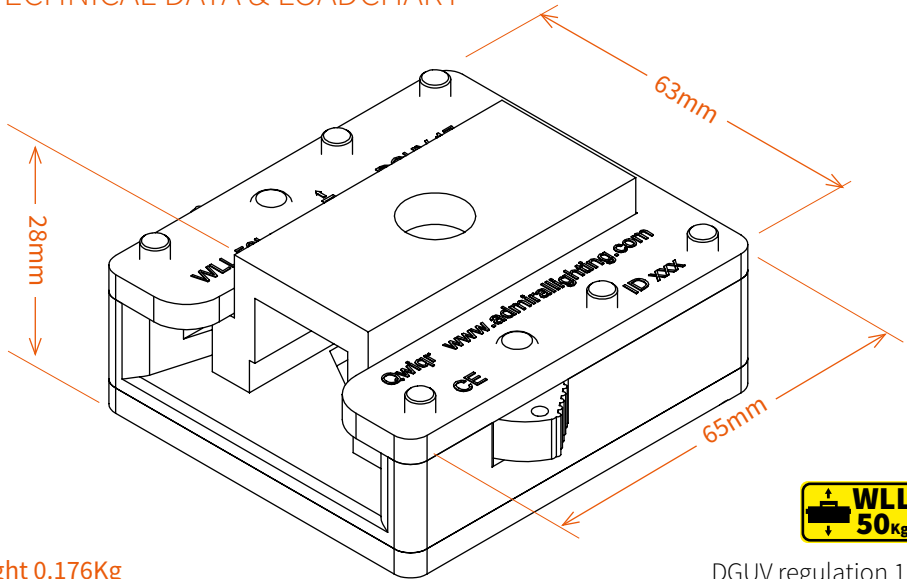
**Do not throw the Qwiqr.**

**! WARNING**

The methods of hanging shown below creates torsional forces, influencing the stability of the supporting structure and is therefore forbidden.



## 4. TECHNICAL DATA & LOADCHART



Weight 0.176Kg

DGUV regulation 17  
Regulations for stages and studios.  
(Formerly known as BGVc1)

### Applicable standards:

**2006/42/EC**  
**DGUV regulation 17**

Machinery directive  
Regulations for stages and studios  
(Formerly known as BGVc1)

**DGUV Information**  
**215-313**

Safety at productions and events for television, radio, film, theatre, exhibitions: Loads above persons  
(Formerly known as BGI 810-3)

**CWA 15902-1**

European code of practice for lifting and loadbearing equipment for stages and other production areas within the entertainment industry.

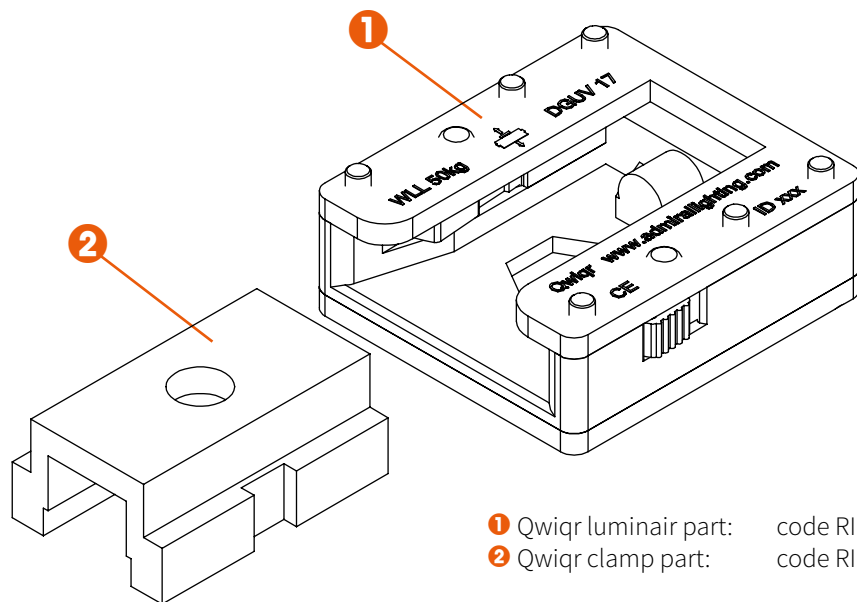
**DIN 15922:2018**

Entertainment technology - Fastening points and fixtures for work equipment

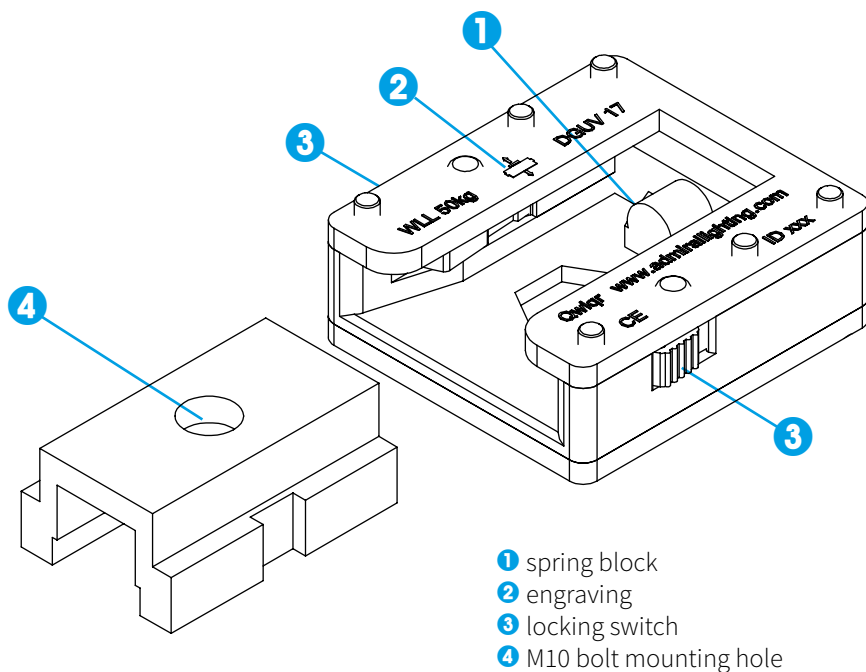
**BS 7905-1**

Lifting equipment for performance broadcast and similar applications. Part 1 specifications for the design and manufacture of above stage equipment

## 4.1 IDENTIFICATION



- 1 Qwiqr luminaire part: code RIHASL42
- 2 Qwiqr clamp part: code RIHASL44



- 1 spring block
- 2 engraving
- 3 locking switch
- 4 M10 bolt mounting hole



## 5. ASSEMBLY INSTRUCTIONS

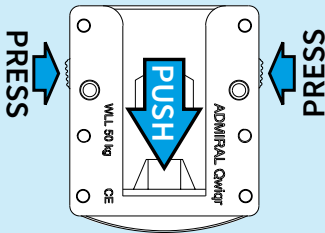
### WARNING

Inspect the Qwiqr before every use. If damaged, mark the item clearly and take out of service

- Use M10 Grade 8.8 bolts and self-locking nuts to connect the load to the Qwiqr as well as connecting the hook part of the Qwiqr to the lamp hook / clamp.
- Secure them with a torque setting of 25Nm
- Check if the locking mechanism is free of dirt and dust.
- Use an approved secondary safety component (safety cable) to save the load from the load bearing support structure in order to eliminate any residual risk.

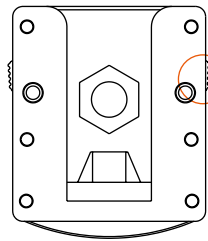
### NOTICE

Make sure the Qwiqr is set to the starting position before use.



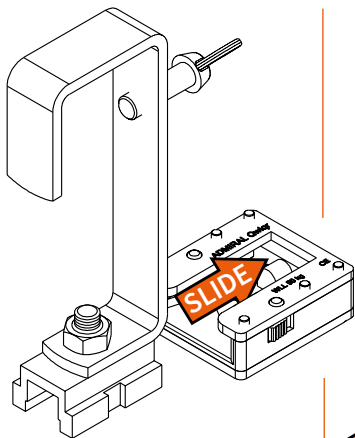
- 1: push
- 2: press both locking switches

 Starting position

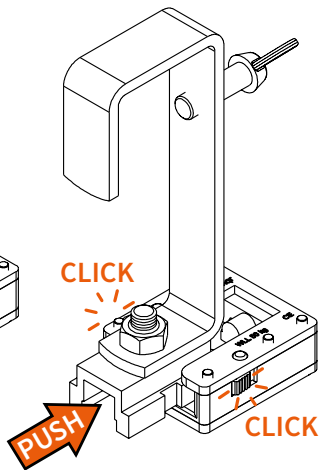


Even on delivery, it may be that the Qwiqr is not in its starting position. You can check this by checking the locking switch. If you see the relieve dots, it is not in the starting position.

- Follow the next assembly sequence to attach the load:



Step 1  
Slide the clamp part straight into the luminaire part until it hits the spring block.



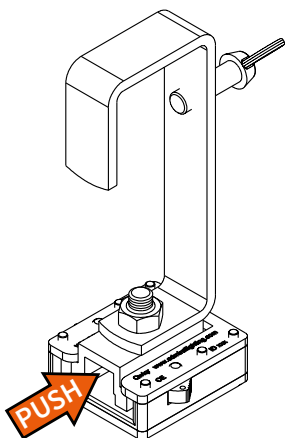
Step 2  
Push the clamp part against the spring block until both locking switches are activated.

**! WARNING**

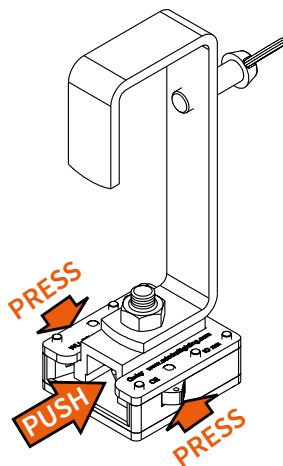
**! Locking position**

**If you see the dots on both locking switches, the Qwiqr is locked.**

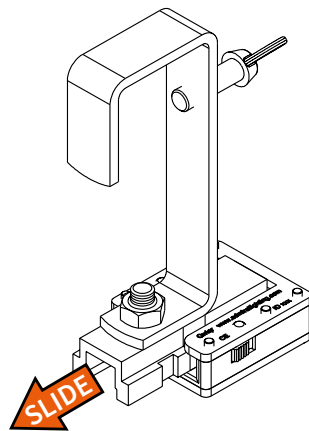
## 6. DISASSEMBLY INSTRUCTIONS



Step 1  
Push the clamp part against the spring block.



Step 2  
Press both locking switches at the same time.



Step 3  
The clamp part can now slide out of the Qwiqr.

## 7. STORAGE

The Qwiqr must be stored and in a dry and none hostile environment.

## 8. MAINTENANCE

### SAFETY INSTRUCTIONS

**The Qwiqr hardly needs any maintenance under normal use and environmental circumstances. For safety reasons however, all parts must be checked regularly for dirt, damages , loss and corrosion.**

**The Qwiqr shall be checked in compliance with the local law by a competent person. Checking shall take place as often as required but with a minimum of 1x per year. In case of doubt contact ADMIRAL.**

- Check all components for damage and corrosion. Damaged and corroded parts shall be rejected and thrown away.
- Remove all sharp edges and burrs by means of a sand paper of a File.



### CAUTION

**Replaced component shall be genuine ADMIRAL only.  
Check chapter 4 for replacement parts**

## 9. WARRANTY

- For a period of 12 month we undertake to repair, free of charge any damage attributable to faulty materials or workmanship, provided that the appliance is forwarded, freight paid, to our works or one of the ADMIRAL contract service organisations.
- The guarantee-period begins with the day of the delivery, proven by a purchase receipt like an invoice or delivery note or their copies.
- The guarantee only is applicable for new equipment.
- The guarantee does not cover damage due to transport damage, negligent handling, overload or parts subject to normal wear and tear nor damages that originate from a case of misuse because of non-observance the instructions in this manual.
- The fitting of replacement parts not supplied by us or modifications of our design by third parties also invalidates the guarantee.
- Guarantee repairs do not renew nor extend the guarantee-period.
- In case of a claim under the guarantee, a malfunction or spare part requirements please contact your point of sale or ADMIRAL.
- The manufacturer is not liable for indirect consequential damage and financial loss.
- The manufacturer shall not be liable for any changes made to the device nor for any damage resulting from such changes.

## 10. CE CERTIFICATE



### CE - DECLARATION OF CONFORMITY FOR MACHINERY (2006/42/EG Annex II)

**Rolight Theatertechnik b.v.**  
Josink Kolkweg 18  
7545 PR Enschede  
The Netherlands

Herewith declares that:

**Admiral QWIQR article code: RIHASL30**

- is in compliance with the Machinery Directive 2006/42/EEC annex II
- the following harmonized standards have been applied (or parts/clauses of): EN 12100-1-2010, EN 1999, EN 1993
- the following national technical standards and specifications have been used (or parts/clauses of): German DGVU 17-18, German DGVU 215-313, DIN 15922:2018, EN 754 all parts, EN 755 all parts, EN 515, EN 573, EN 10204:2004

Enschede, The Netherlands 02-01-2019

A handwritten signature in blue ink, appearing to read "RME", with a horizontal line underneath.

Mr. R.M. Evers  
CEO Rolight Theatertechnik b.v.



a brand of Rolight, The Netherlands