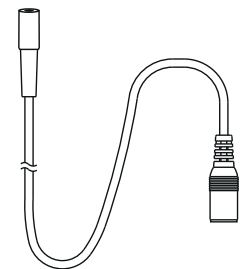
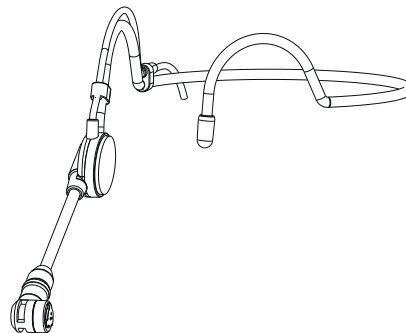
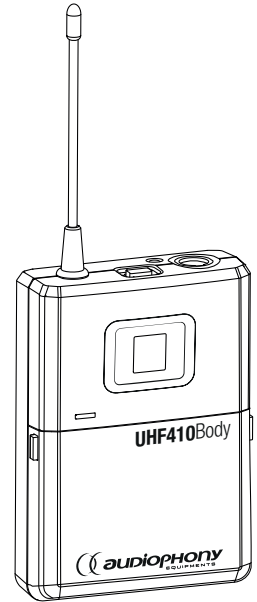
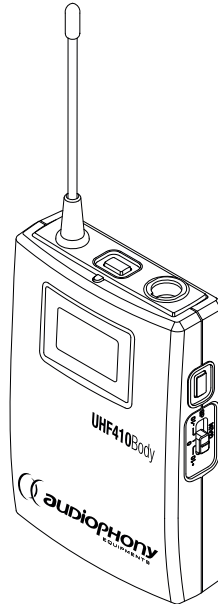
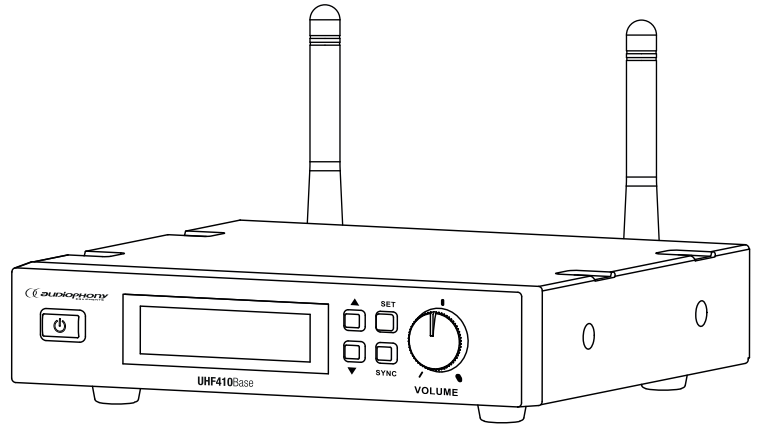
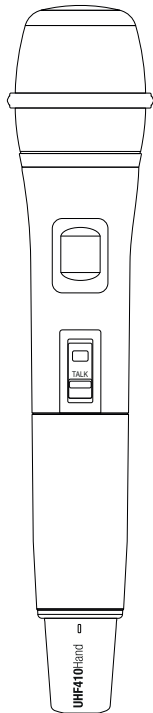
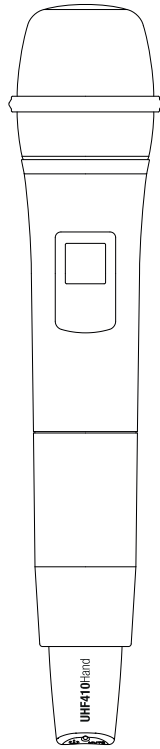
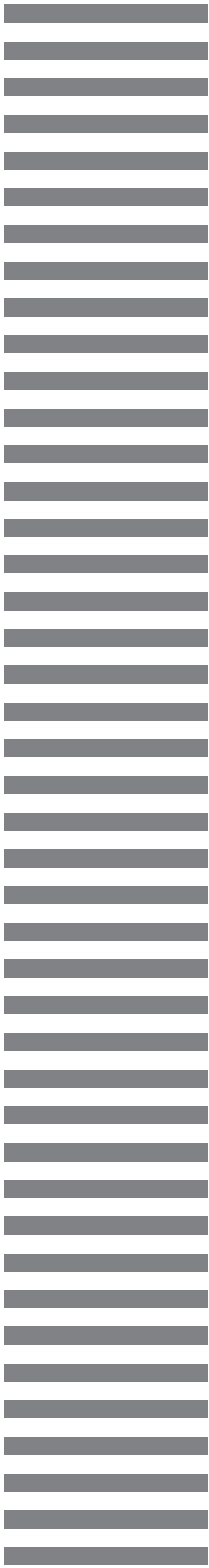


UHF410 series microphones - UHF Hand, Headband or Lavalier Systems



1 - Safety information

Important safety information



This unit is intended for indoor use only. Do not use it in a wet, or extremely cold/hot locations. Failure to follow these safety instructions could result in fire, electric shock, injury, or damage to this product or other property.



This product contains non-isolated electrical components. Do not undertake any maintenance operation when it is switched on as it may result in electric shock.



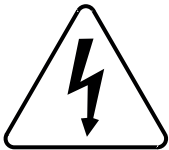
Any maintenance procedure must be performed by a CONTEST authorised technical service. Basic cleaning operations must thoroughly follow our safety instructions.



CAUTION
RISK OF ELECTRIC SHOCK
DO NOT OPEN



WARNING : This unit contains no user-serviceable parts. Do not open the housing or attempt any maintenance by yourself. In the unlikely even your unit may require service, please contact your nearest dealer. In order to avoid any electrical malfunction, please do not use any multi-socket, power cord extension or connecting system without making sure they are perfectly isolated and present no defect.



Risk of electrocution

To prevent the hazard of electric shocks, do not use extension cords, multi-socket or any other connection system without making sure metal parts completely are out of reach.



Sound levels

Our audio solutions deliver important sound pressure levels (SPL) that can be harmful to human health when exposed during long periods. Please do not stay in close proximity of operating speakers.



Recycling your device

- As HITMUSIC is really involved in the environmental cause, we only commercialise clean, ROHS compliant products.
- When this product reaches its end of life, take it to a collection point designated by local authorities. The separate collection and recycling of your product at the time of disposal will help conserve natural resources and ensure that it is recycled in a manner that protects human health and the environment.

Symbols used



This symbol signals an important safety precaution.



The CAUTION symbol signals a risk of product deterioration.



The WARNING symbol signals a risk to the user's physical integrity. The product may also be damaged.

Instructions and recommendations

1 - Please read carefully :

We strongly recommend to read carefully and understand the safety instructions before attempting to operate this unit.

2 - Please keep this manual :

We strongly recommend to keep this manual with the unit for future reference.

3 - Operate carefully this product :

We strongly recommend to take into consideration every safety instruction.

4 - Follow the instructions:

Please carefully follow each safety instruction to avoid any physical harm or property damage.

5 - Avoid water and wet locations :

Do not use this product in rain, or near washbasins or other wet locations.

6 - Installation :



We strongly encourage you to only use a fixation system or support recommended by the manufacturer or supplied with this product. Carefully follow the installation instructions and use the adequate tools.

Always ensure this unit is firmly fixed to avoid vibration and slipping while operating as it may result in physical injury.

7 - Ceiling or wall installation :

Please contact your local dealer before attempting any ceiling or wall installation.

8 - Ventilation :



The cooling vents ensure a safe use of this product, and avoid any overheating risk.

Do not obstruct or cover these vents as it may result in overheating and potential physical injury or product damage. This product should never be operated in a closed non-ventilated area such as a flight case or a rack, unless cooling vents are provided for the purpose .

9 - Heat exposure :

Sustained contact or proximity with warm surfaces may cause overheating and product damages. Please keep this product away from any heat source such as a heaters, amplifiers, hot plates, etc...

10 - Electric power supply :

This product can only be operated according to a very specific voltage. These information are specified on the label located at the rear of the product.

11 - Power cords protection:

Power-supply cords should be routed so that they are not likely to be walked on or pinched by items placed upon or against them, paying particular attention to cords at lugs, convenience receptacles and the point where they exit from the fixture.



12 - Cleaning precautions :



Unplug the product before attempting any cleaning operation. This product should be cleaned only with accessories recommended by the manufacturer. Use a damp cloth to clean the surface. Do not wash this product.

13 - Long periods of non use :

Disconnect the unit's main power during long periods of non use.

14 - Liquids or objects penetration :

Do not let any object penetrate this product as it may result in electric shock or fire.

Never spill any liquid on this product as it may infiltrate the electronic components and result in electric shock or fire.

15 - This product should be serviced when :



Please contact the qualified service personnel if :

- The power cord or the plug has been damaged.
- Objects have fallen or liquid has been spilled into the appliance.
- The appliance has been exposed to rain or water.
- The product does not appear to operate normally.
- The product has been damaged.

16 - Inspection/maintenance :



Please do not attempt any inspection or maintenance by yourself. Refer all servicing to qualified personnel.

17 - Operating environment :



Ambient temperature and humidity: +5 - +35°C, relative humidity must be less than 85% (when cooling vents are not obstructed).

Do not operate this product in a non-ventilated, very humid or warm place.

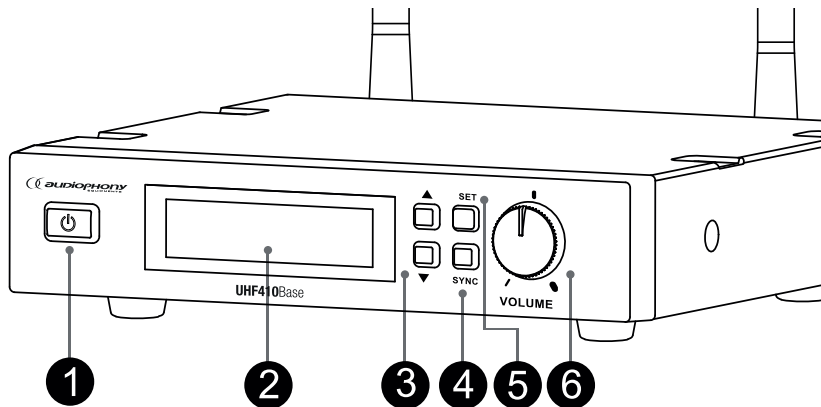
2 - Presentation of the UHF410 range

UHF system for voice recording. 442 (F8) or 997 (F5) selectable frequencies and up to 8 microphones simultaneously depending on the configuration you use and the conditions in which you operate. This manual covers the entire UHF410 range and its components.

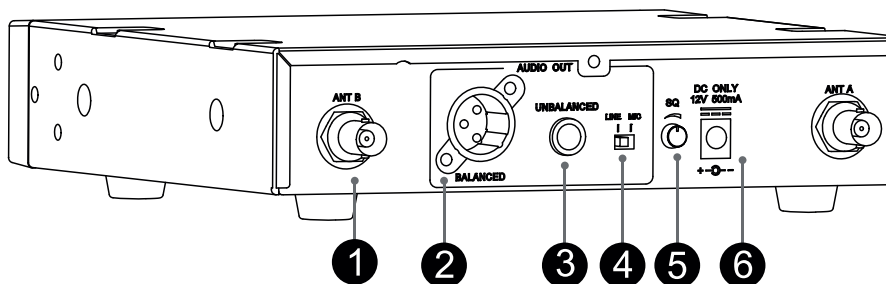
2.1 - UHF410Base code H10271 (F8 series) and H11026 (F5 series)

Receiver box

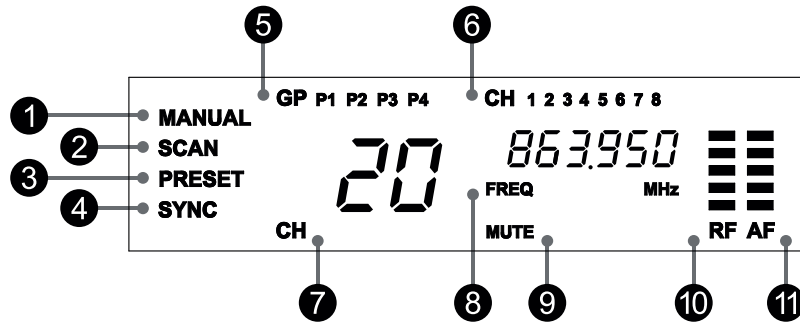
- True Diversity receiver
- Frequency range : UHF 823~832 and 863~865 MHz or 514~564 MHz (F5)
- 442 (F8) or (F5) fréquences programmées avec fonction Auto-scan
- Channel Presets :
 - 4 groups, 8 compatible channels in each group
 - 8 groups, 16 compatible channels in each group
- Channel Selection Mode: Tact Switch, Auto-Scan, SYNC
- LCD Display: Frequency, Group, Channel, RF & AF
- Balanced and unbalanced audio output on XLR and 6.35 mono jacks
- Line or Micro level
- Oscillator: PLL Synthesizer
- Frequency stability: $\pm 0.005\%$
- Modulation mode: FM
- T.H.D. : $<1\%$ (@1KHz)
- Audio Frequency Response: 80 Hz to 18kHz
- Volume control by rotary potentiometer on the front panel
- Squelch adjustment by rotary selector switch on the rear side
- Detachable BNC antennas, many accessories available
- Power supply: 12V DC (adapter supplied)
- Current consumption: $260\text{mA} \pm 10\text{mA}$
- Dimensions: 200 x 42 x 183 mm (Rackable 19 inches in pairs)



- 1- ON/OFF button
- 2- LCD screen
- 3- Up and down navigation buttons
- 4- SYNC button: Activates synchronization with the transmitter.
- 5- SET Button: Selects Manual, Auto-scan, or Preset Mode
- 6- Adjusting the output volume



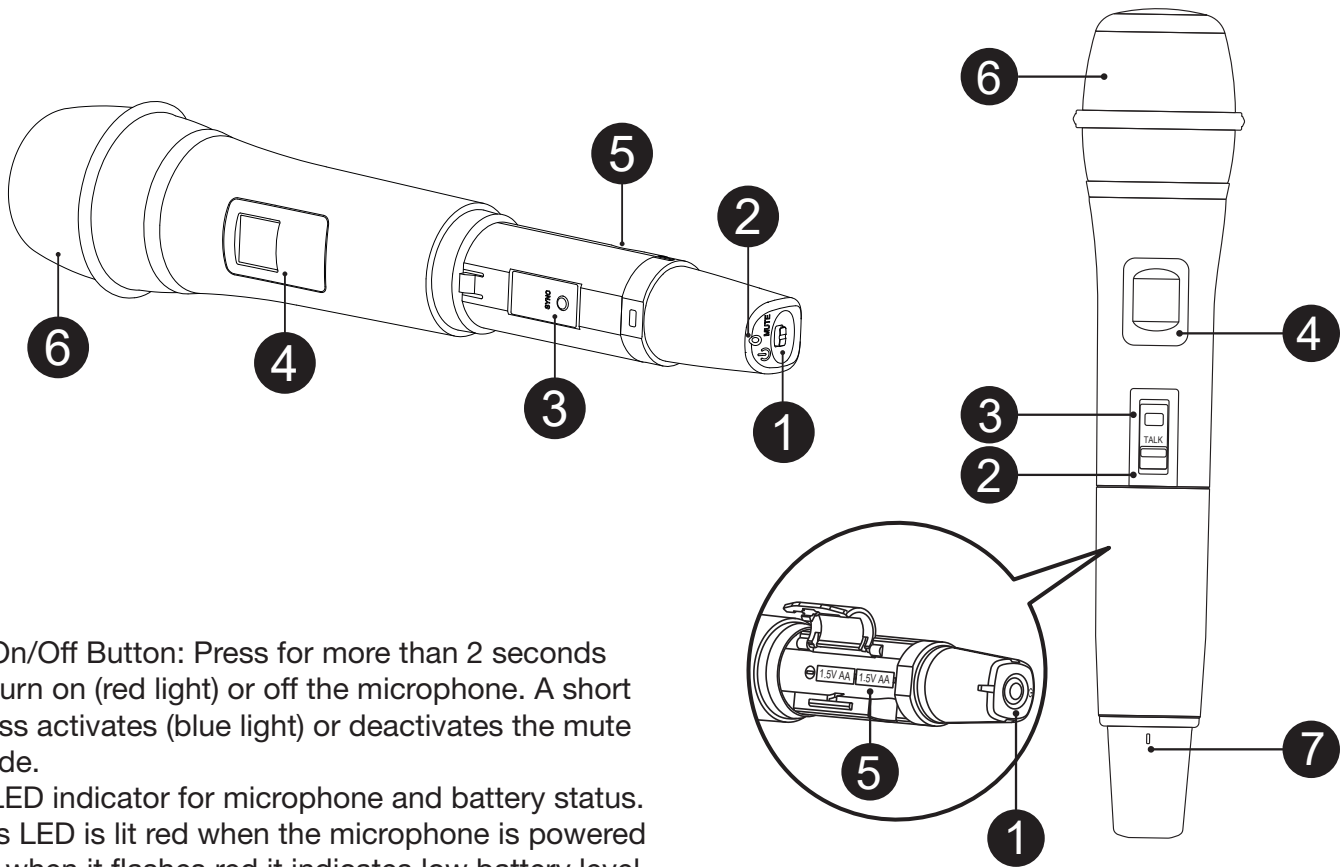
- 1- BNC plug for connection of the antenna or accessories
- 2- Balanced XLR output
- 3- Jack 6.35 Unbalanced
- 4- Output level selector switch
- 5- Squelch potentiometer
- 6- DC Input



- 1- Manual Mode: Allows you to select free channels manually.
- 2- Scan Mode: Allows you to start the auto scan to find a free channel.
- 3- Preset Mode: Allows you to use several receivers by assigning each one to a group.
- 4- Synchronization Function: Allows you to synchronize the selected frequency on the transmitter and the receiver.
- 5- Display of the selected group
- 6- Displaying the number of the recorded channel
- 7- Displays the selected channel
- 8- Displays the UHF frequency used
- 9- Allows you to see if the transmitter is in MUTE mode (silent).
- 10- Display of the UHF reception level
- 11- Display of the audio level transmitted by the transmitter

2.2 - UHF410-Hand code H10272 (F8 series) and H11027 (F5 series)

Handheld Microphone



1- On/Off Button: Press for more than 2 seconds to turn on (red light) or off the microphone. A short press activates (blue light) or deactivates the mute mode.

2- LED indicator for microphone and battery status. This LED is lit red when the microphone is powered on, when it flashes red it indicates low battery level. The LED lights blue when the Mute mode is active. If it does not light up, it indicates either poor battery placement or complete discharge of the batteries.

3- SYNC button to activate frequency synchronization between transmitter and receiver.

4- LCD display to view channel number and battery status.

5- Use two AA 1.5v batteries with correct polarity.

6- Capsule protection grid equipped with an anti-pop filter and a wind reducer.

For F5 version only

1- On/Off Button: Press for more than 2 seconds to turn the microphone on (green light) or off.

7- LED indicator for microphone and battery status.

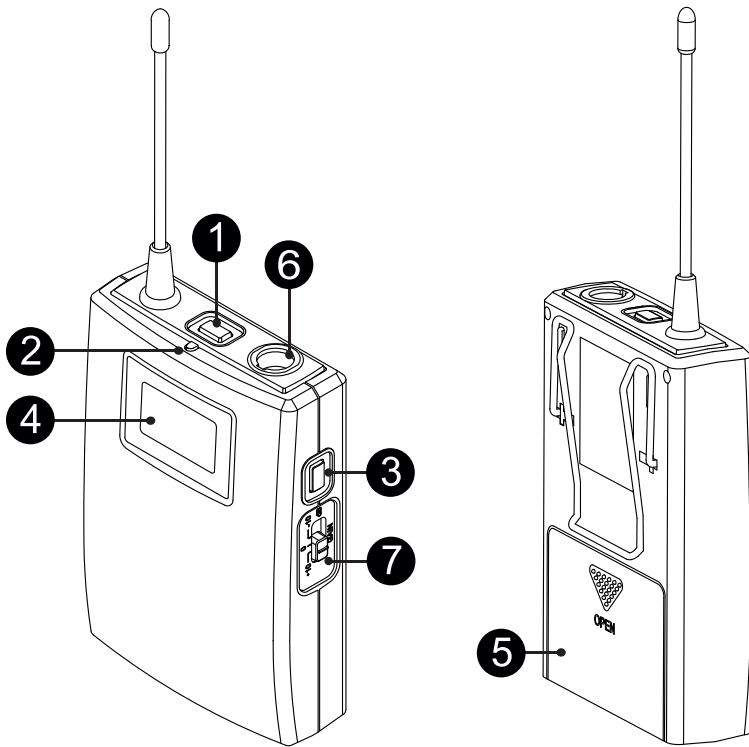
- Lighted green: The microphone is powered on.
- Flashing green: The synchronization process is in progress.
- Flashing red: The batteries are low and there are about 10 minutes left before the power is turned off.

Note : Turning the microphone off when the receiver is on may create audible interference.

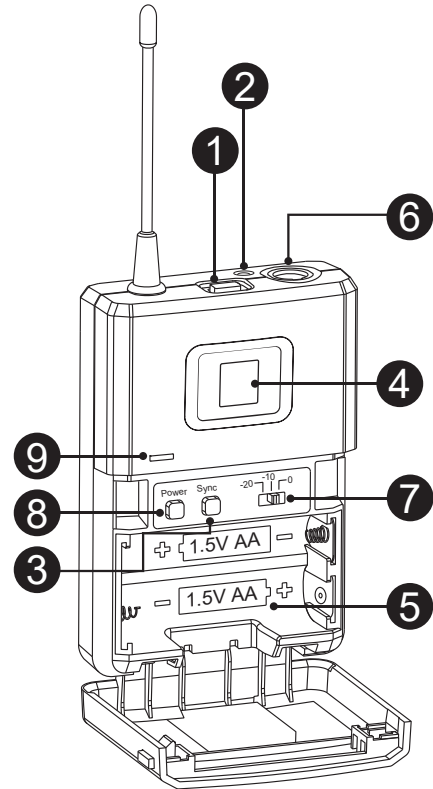
2.3 - UHF410-Body code H10273 (F8 series) and H11028 (F5 series)

Bodypack transmitter with mini-XLR input

F8 series



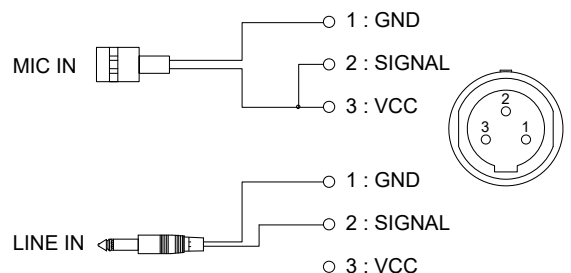
F5 series



- 1- On/Off Button:** Press for more than 2 seconds to turn on (red light) or off the microphone. A short press activates (blue light) or deactivates the mute mode.
- 2- LED indicator for microphone and battery status.** This LED is lit red when the microphone is powered on, when it flashes red it indicates low battery level. The LED lights blue when the Mute mode is active. If it does not light up, it indicates either poor battery placement or complete discharge of the batteries.
- 3- SYNC button** to activate frequency synchronization between transmitter and receiver.
- 4- LCD display** to view channel number and battery status.
- 5- Battery compartment.** Use two AA 1.5v batteries with correct polarity.
- 6-Mini-XLR male plug.** The wiring is shown in the opposite drawing.
- 7- Selector switch** -20/-10/0dB you can connect either an electret microphone or a line-type device in which case you will need to adjust the input level.

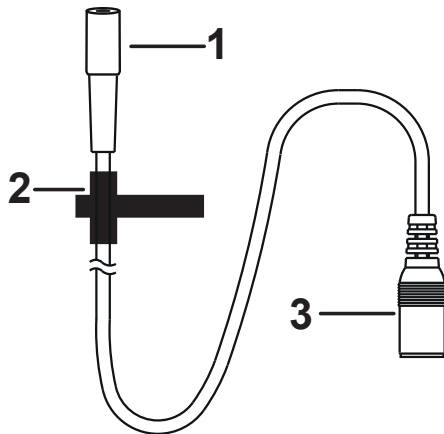
For F5 version only

- 8- On/Off Button:** Press for more than 2 seconds to turn the microphone on (green light) or off.
- 9- LED indicator for microphone and battery status.**
 - Lighted green: The microphone is powered on.
 - Flashing green: The synchronization process is in progress.
 - Flashing red: The batteries are low and there are about 10 minutes left before the power is turned off.



2.4 - UHF410-Lava code H10275

Lavalier microphone with condenser cell

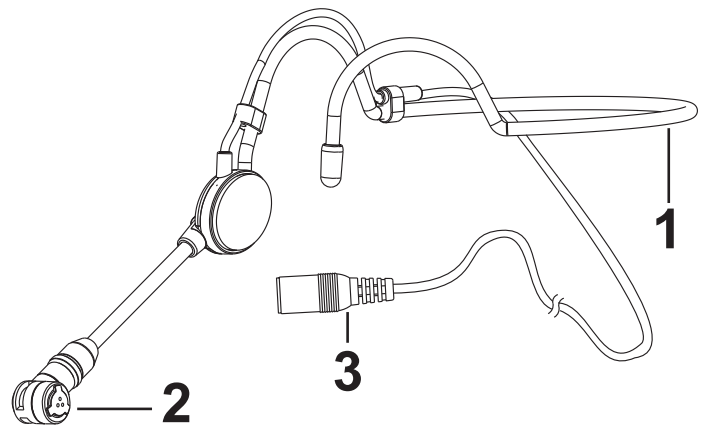


- 1- Condenser microphone
- 2- Fastening clamp
- 3- Mini XLR female plug

2.5 - UHF410-Head code H10274

Headband condenser microphone

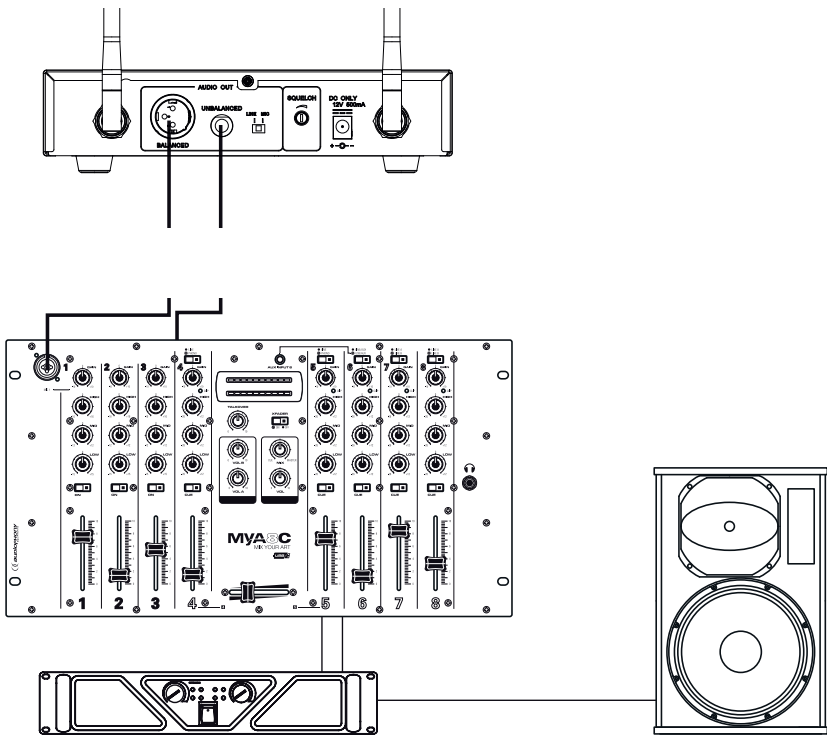
- 1- Adaptable metal headband
- 2- Condenser microphone with windshield
- 3- Mini XLR femelle plug



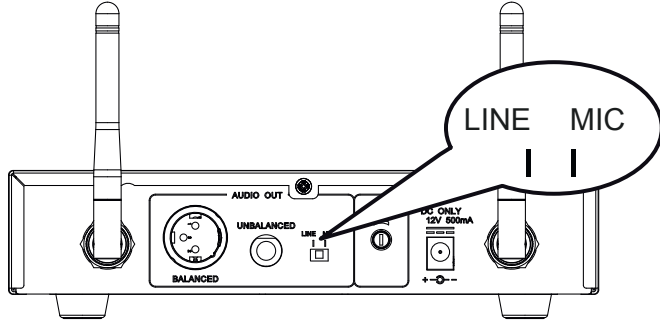
3 - System Installation

3.1 - Receiver connection

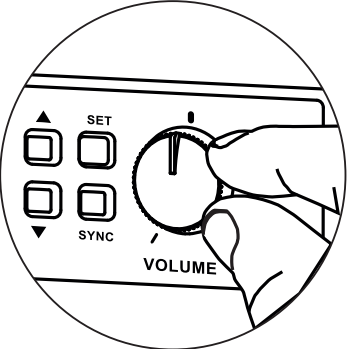
	<p>- Connect the supplied AC adapter to the mains and to the DC 12V input on the back of the UHF410-Base receiver.</p>
--	--



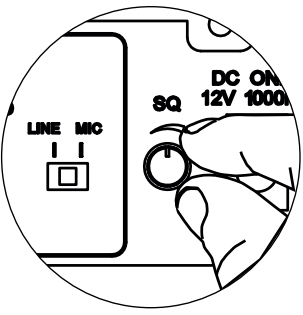
- Connect the audio output to your mixer using either a balanced XLR cable or an unbalanced 6.35 jack cable.
- Never use both balanced and unbalanced outputs at the same time, this may result in signal loss or increased noise.



- Adjust the output level according to the input level used on the mixer.
- MIC level: - 20dBm
- LINE level: 0 dB



- To ensure good sound quality and avoid distortion, adjust the volume according to the following instructions:
- If you use a microphone input on the mixer or amplifier, set the volume to half (approx.), the level on the balanced output and the unbalanced output is then around 77 mV.
- If you use a line input on the mixer or on the amplifier, set the volume to three quarters (approx.), the level on the balanced output and the unbalanced output is then around 770mV.

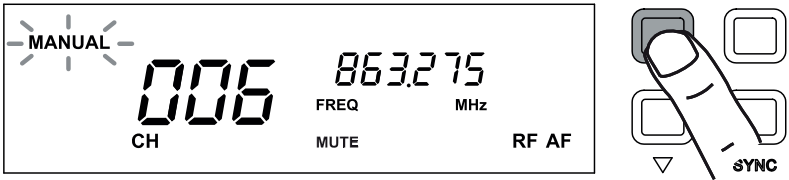


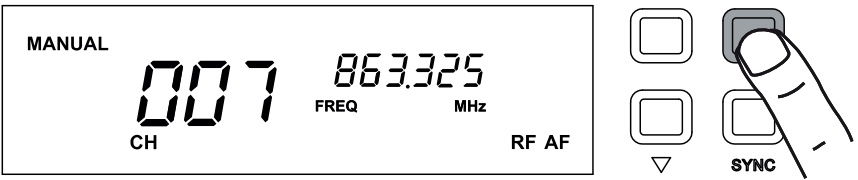


- Adjust the Squelch level on the back of the receiver if the RF reception level is too low.
- Turn clockwise to increase the squelch and reduce the noise level. The more squelch you increase, the more noise you reduce.
- If you reduce the squelch, unwanted noise can be amplified.
- Don't hesitate to use the extension cords to extend the antennas or a UHF410-Boost receiver booster or a UHF410-Ant directional antenna.

4 - Channel settings on the receiver


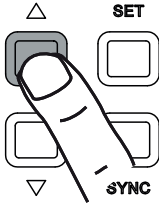
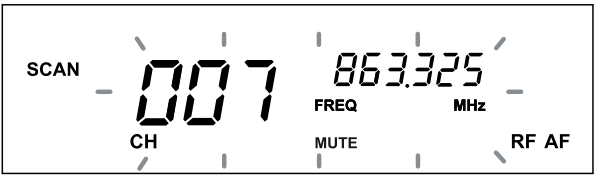
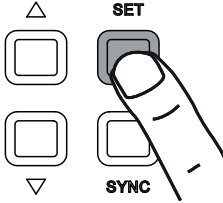

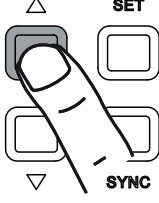
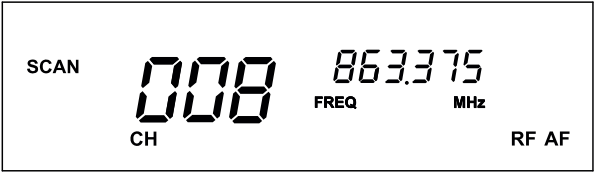
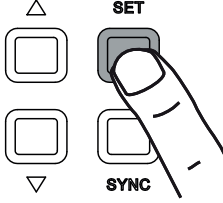
4.1 - Manual mode

Note : When setting up the system, do not leave two or more transmitters on. Keep a distance of at least one meter between the transmitter and receiver during frequency adjustments.

	<ul style="list-style-type: none"> - Press the button \triangle to select the MANUAL mode.
	<ul style="list-style-type: none"> - Press and hold the SET button for 2 seconds until the values flash.
	<ul style="list-style-type: none"> - Press the button \triangle to move on to the next channel.
	<ul style="list-style-type: none"> - Press the SET button to confirm the setting. - Try several channels to find the one that best suits your environment.

4.2 - Auto Scan mode

Note : If you need to use several microphones at the same time. Please leave the receiver and microphone on once they are set up and proceed to autoscan the next system.

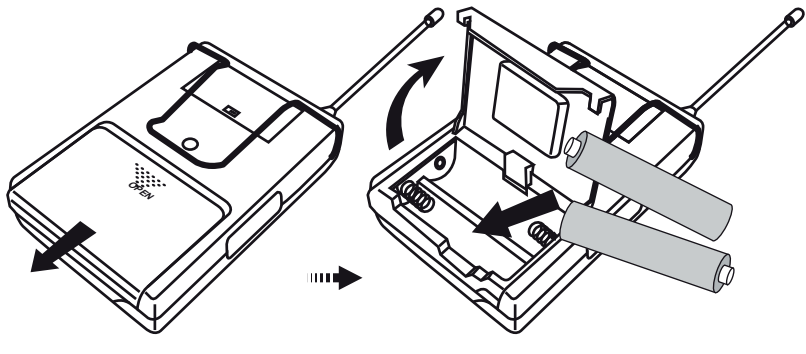
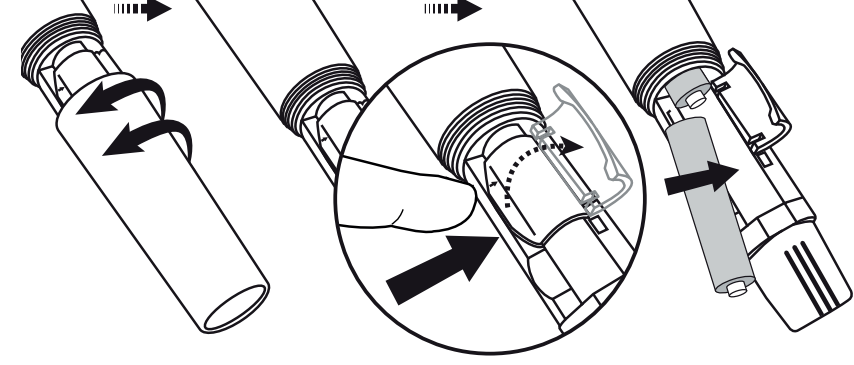
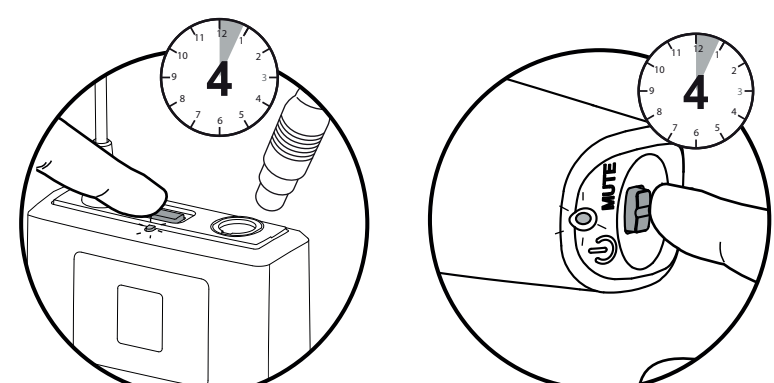
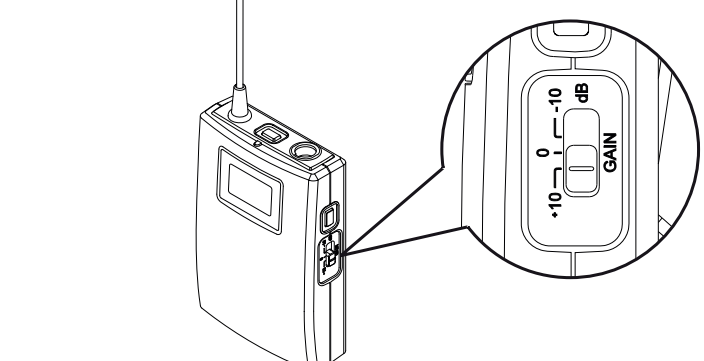
 	<p>- Press the button \triangle to select the SCAN mode</p>
 	<p>- Press and hold the SET button for 2 seconds until the values flash.</p>
 	<p>- Press the button \triangle to start the scan. The receiver will stop on a free frequency automatically..</p>
 	<p>- Press the SET button to confirm the setting. - Try several channels to find the one that best suits your environment.</p>

4.3 - Preset Mode

Note : 8 or 4 groups of 8 or 16 channels are preset in Preset Mode. This makes it possible to use 8 microphones simultaneously. Try each channel in each group and if there is still interference switch to another group.

<p>PRESET 007 863.325 CH FREQ MHz RF AF</p>	<p>△ SET ▽ SYNC</p>	<p>- Press the button △ to select the PRESET mode.</p>
<p>PRESET 001 863.025 GP P1 CH 1 FREQ MHz RF AF H MUTE</p>	<p>△ SET ▽ SYNC</p>	<p>- Press and hold the SET button for 2 seconds until the values flash.</p>
<p>PRESET 001 863.025 GP P1 CH 1 FREQ MHz RF AF MUTE</p>	<p>△ SET ▽ SYNC</p>	<p>- Press the button △ to change group.</p>
<p>PRESET 003 863.125 GP P3 CH 1 FREQ MHz RF AF</p>	<p>△ SET ▽ SYNC</p>	<p>- Press the SET button to confirm the new group.</p>
<p>PRESET 039 864.925 GP P3 CH 4 FREQ MHz RF AF MUTE</p>	<p>△ SET ▽ SYNC</p>	<p>- Press the button △ to change channel.</p>
<p>PRESET 039 864.925 GP P3 CH 4 FREQ MHz RF AF</p>	<p>△ SET ▽ SYNC</p>	<p>- Press the SET button to confirm the new channel.</p>

5 - Setup of the handheld and body pack transmitters

	<ul style="list-style-type: none"> - Open the battery compartment and insert two LR6 or AA batteries, taking care to the polarity indicated.
	<ul style="list-style-type: none"> - Unscrew the battery compartment cover of the Hand-held Microphone and insert two LR6 or AA batteries, taking care the polarity indicated.
	<ul style="list-style-type: none"> - Press the power button on the microphone or transmitter box for 4 seconds to turn it on. - If the LED flashes red this indicates that the batteries need to be changed.
	<ul style="list-style-type: none"> - Adjust the input level of the body pack according to the microphone you are going to connect.

Note : When you do not use your microphone or transmitter box for a long period, turn it off and remove the batteries.

6 - Synchronization of a transmitter with a receiver

<1 M

Etape 2

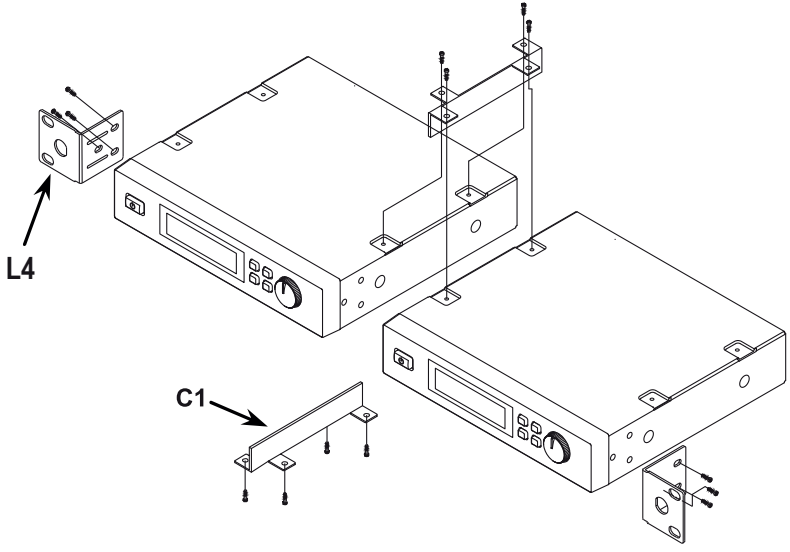
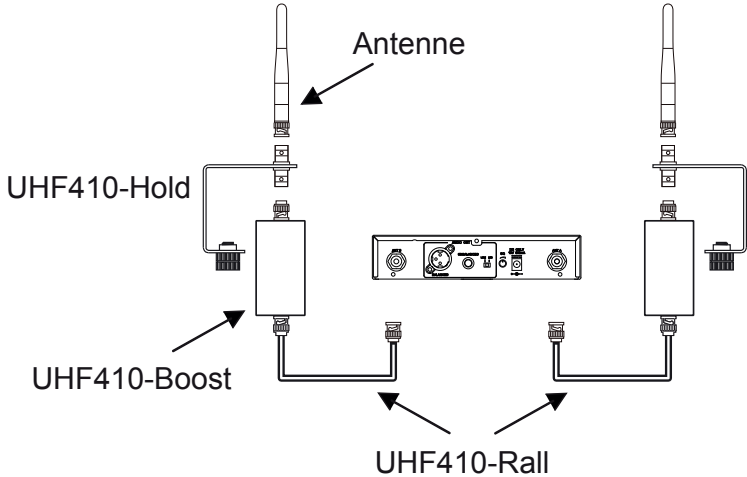
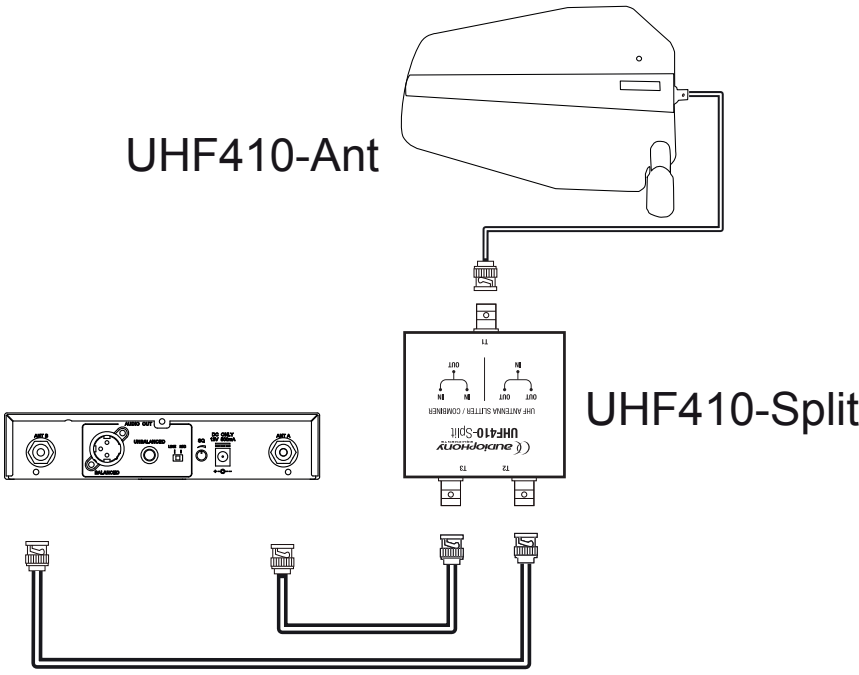
SYNC

Etape 1

Ou

- First turn on the receiver and set the frequencies in manual, auto scan or preset modes (see sections 4.1, 4.2, 4.3).
- Once you have selected the frequency on your receiver.
- Press the SYNC button on your body pack or hand-held microphone transmitter until SYNC flashes on the receiver display.
- Hold down the SYNC button on your transmitter and press the SYNC button on your receiver at the same time.
- The system is now synchronized with the same frequencies
- Please note that a distance of less than 1 meter between transmitter and receiver must be kept when synchronizing.
- Once you have synchronized one system you can start over with the next one.

7 - Use of accessories

	<ul style="list-style-type: none"> - If you acquire two UHF410-Base receivers you have the possibility to couple them to position them in a 19-inch rack. - Each receiver is delivered with a part of the necessary screws. - The coupling frame then allows you to connect the 2 receivers. - Please note that in this case you have the possibility to offset the antennas on the front panel in the holes provided for this purpose on the brackets.
	<ul style="list-style-type: none"> - If the reception is not very good or you need more range you can use the signal booster type UHF410-Boost. - These can be attached to the UHF410-Hold which can be screwed onto the boom of a microphone stand.
	<ul style="list-style-type: none"> - For an optimum range an antenna splitter (UHF410-Split) is connected to the receiver and then to a directional antenna (UHF410-Ant) equipped with an integrated signal booster.

8 - In case of failure

No sound :

- Check the power supplies.
- Check the frequency channels - The channel must be the same on the receiver and transmitter
- Check the connections between the receiver and the amplification system.
- Check transmitter/receiver distance and Squelch setting
- Check that the receiver is not covered by a metal surface.
- Check the battery status of your transmitters.

Mauvais son ou interférences :

- Check the position of the antennas
- Check that two transmitters are not using the same frequency.
- Use a UHF410-Boost signal booster or UHF410-Ant directional antenna.
- Check that interference is not coming from other equipment such as TV, radio, etc...
- Check the volume of the receiver
- Check the battery status of your transmitters.
- Adjust the input gain of your mixer channel.



Beware of feedback
Avoid turning up the gain too high on your mix or the volume on your receiver.
Keep a reasonable distance from the speakers.
Feedback can cause serious damage to your system and your ears.



9 - Technical data

UHF410-Base receiver

- True Diversity Receiver
- Frequency range: UHF 823~832MHz/863~865 MHz (F8 series) et 514~564MHz (F5 series)
- 442 (F8) or 997 (F5) programmed frequencies with Auto-scan function
- Channel presets:
 - 4 groups, 8 compatible channels in each group (F8 series)
 - 8 groups, 16 compatible channels in each group (F5 series)
- Channel Selection Mode: Tact Switch, Auto-Scan, SYNC
- LCD display: frequency, group, channel, RF & AF
- Balanced and unbalanced audio output on XLR and 6.35 mono jacks
- Line or Micro level
- Oscillator: PLL Synthesizer
- Frequency stability: $\pm 0.005\%$.
- Modulation mode: FM
- H.H.T.: $<1\%$ (@1KHz)
- Audio Frequency Response: 80 Hz to 18kHz
- Volume control by rotary switch on the front panel
- Squelch adjustment by rotary selector at the rear
- Detachable BNC antennas, many accessories available
- Power supply: 12 V DC (adapter supplied)
- Current consumption: 260mA \pm 10mA
- Dimensions: 200 x 42 x 183 mm (Rackable 19 inches in pairs)

UHF410-Hand microphone

- True Diversity Transmitter
- Frequency range: UHF 823~832 and 863~865 MHz (F8 series) or 514~564 MHz (F5 series)
- Output power: 10mW max. (F8 series) / 35mW max. (F5 serie)
- 442 (F8) or 997 (F5) programmed frequencies with SYNC function
- LCD display: Group, channel, battery level
- Power supply: 2 x AA 1.5V batteries (not included)
- Average autonomy: 10 Hours
- Dimensions: 260 x diam 54 mm

UHF410-Body bodypack transmitter

- True Diversity Transmitter
- Frequency range: UHF 823~832 and 863~865 MHz (F8 series) or 514~564 MHz (F5 series)
- Output power: 10mW max. (F8 series) / 35mW max. (F5 serie)
- 442 (F8) or 997 (F5) programmed frequencies with SYNC function
- LCD display: Group, channel, battery level
- Microphone input on mini XLR
- Gain level of -20/-10/0 dB
- Power supply: 2 x AA 1.5V batteries (not included)
- Average autonomy: 10 Hours
- Dimensions: 98 x 65 x 25 mm (+ 75mm antenna)

Micro headband UHF410-Head

- Type of microphone: Condenser capsule
- Sensitivity: -47 ±4dB
- Directivity: Unidirectional cardioid
- Frequency response: 100Hz - 10KHz
- Maximum operating voltage: 10V
- Normal operating voltage: 1.5V
- Consumption: 0.5mA max.
- Signal to noise ratio : More than 60dB
- Accessory supplied: Cap and elastic headband
- Connection : Mini XLR

Lavalier microphone UHF410-Lava

- Type of microphone: Condenser capsule
- Sensitivity: -42 ±3dB
- Directivity: Omnidirectional cardioid
- Frequency response: 50Hz - 10KHz
- Maximum operating voltage: 10V
- Normal operating voltage: 1.5V
- Consumption: 0.5mA max.
- Signal to noise ratio : More than 58dB
- Accessory supplied: Windshield and hooking pin
- Connection : Mini XLR

EC DECLARATION OF CONFORMITY

We, **HIT-MUSIC SAS**,

Address : Parc d'Activités CAHORS SUD – EN TESTE - 46230 FONTANES – France

Declare under our sole responsibility that the Audiophony UHF wireless transmitter and receiver microphones:

UHF-410 (H10271&H11026) / UHF410-Hand (H10272&H11027) / UHF410-Body (H10273&H11028)

Are in conformity with the Council Directives:

- 2011/65/UE ROHS
- 2014/53/EU RED
- 2014/35/EU LVD
- 2014/30/EU EMC

And are in conformity with the following standards or normative documents :

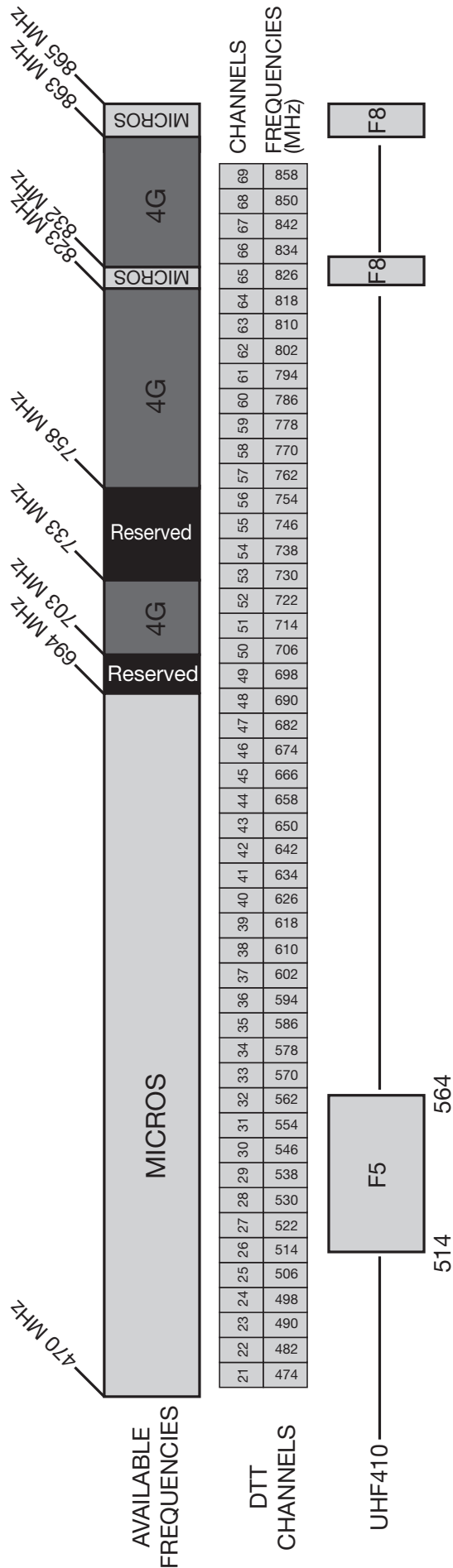
- EN 300 422-2 V1.3.1 (2011-08)
- EN 300 440-2 V1.4.1 (2010-08)
- EN 301 489-1 V1.9.2 (2011-09)
- EN 301 489-3 V1.6.1 (2012-05)
- EN 301 489-9 V1.4.1 (2007-11)
- EN 60065 :2001+A1 : 2005+A2 : 2010 : 2006 + A11 :2008+A2 :2010+A12 : 2011

Additional information: None

At Cahors, 11th of December, 2012

www.audiophony.com

10 - New UHF frequency plan



The authorised frequency bands can thus be used "freely" by PMSE equipment, i.e. without the need for prior individual authorisation, but subject to compliance with the technical parameters laid down.

In these circumstances, users of ancillary sound programme design and broadcasting equipment shall not be subject to the payment of fees. However, they must not interfere with other uses of frequencies, and are not protected against interference.

Please check your local services authorised to be sure that you can use the frequencies range of your system.

11 - Channels and their frequencies (F8 series)

Channel	Frequency
1	823.000
2	823.025
3	823.050
4	823.075
5	823.100
6	823.125
7	823.150
8	823.175
9	823.200
10	823.225
11	823.250
12	823.275
13	823.300
14	823.325
15	823.350
16	823.375
17	823.400
18	823.425
19	823.450
20	823.475
21	823.500
22	823.525
23	823.550
24	823.575
25	823.600
26	823.625
27	823.650
28	823.675
29	823.700
30	823.725
31	823.750
32	823.775
33	823.800
34	823.825
35	823.850
36	823.875
37	823.900
38	823.925
39	823.950
40	823.975
41	824.000
42	824.025
43	824.050
44	824.075
45	824.100
46	824.125
47	824.150
48	824.175
49	824.200
50	824.225
51	824.250
52	824.275
53	824.300
54	824.325
55	824.350
56	824.375
57	824.400
58	824.425
59	824.450
60	824.475
61	824.500
62	824.525
63	824.550
64	824.575
65	824.600

Channel	Frequency
66	824.625
67	824.650
68	824.675
69	824.700
70	824.725
71	824.750
72	824.775
73	824.800
74	824.825
75	824.850
76	824.875
77	824.900
78	824.925
79	824.950
80	824.975
81	825.000
82	825.025
83	825.050
84	825.075
85	825.100
86	825.125
87	825.150
88	825.175
89	825.200
90	825.225
91	825.250
92	825.275
93	825.300
94	825.325
95	825.350
96	825.375
97	825.400
98	825.425
99	825.450
100	825.475
101	825.500
102	825.525
103	825.550
104	825.575
105	825.600
106	825.625
107	825.650
108	825.675
109	825.700
110	825.725
111	825.750
112	825.775
113	825.800
114	825.825
115	825.850
116	825.875
117	825.900
118	825.925
119	825.950
120	825.975
121	826.000
122	826.025
123	826.050
124	826.075
125	826.100
126	826.125
127	826.150
128	826.175
129	826.200
130	826.225

Channel	Frequency
131	826.250
132	826.275
133	826.300
134	826.325
135	826.350
136	826.375
137	826.400
138	826.425
139	826.450
140	826.475
141	826.500
142	826.525
143	826.550
144	826.575
145	826.600
146	826.625
147	826.650
148	826.675
149	826.700
150	826.725
151	826.750
152	826.775
153	826.800
154	826.825
155	826.850
156	826.875
157	826.900
158	826.925
159	826.950
160	826.975
161	827.000
162	827.025
163	827.050
164	827.075
165	827.100
166	827.125
167	827.150
168	827.175
169	827.200
170	827.225
171	827.250
172	827.275
173	827.300
174	827.325
175	827.350
176	827.375
177	827.400
178	827.425
179	827.450
180	827.475
181	827.500
182	827.525
183	827.550
184	827.575
185	827.600
186	827.625
187	827.650
188	827.675
189	827.700
190	827.725
191	827.750
192	827.775
193	827.800
194	827.825
195	827.850

Channel	Frequency
196	827.875
197	827.900
198	827.925
199	827.950
200	827.975
201	828.000
202	828.025
203	828.050
204	828.075
205	828.100
206	828.125
207	828.150
208	828.175
209	828.200
210	828.225
211	828.250
212	828.275
213	828.300
214	828.325
215	828.350
216	828.375
217	828.400
218	828.425
219	828.450
220	828.475
221	828.500
222	828.525
223	828.550
224	828.575
225	828.600
226	828.625
227	828.650
228	828.675
229	828.700
230	828.725
231	828.750
232	828.775
233	828.800
234	828.825
235	828.850
236	828.875
237	828.900
238	828.925
239	828.950
240	828.975
241	829.000
242	829.025
243	829.050
244	829.075
245	829.100
246	829.125
247	829.150
248	829.175
249	829.200
250	829.225
251	829.250
252	829.275
253	829.300
254	829.325
255	829.350
256	829.375
257	829.400
258	829.425
259	829.450
260	829.475

Channel	Frequency
261	829.500
262	829.525
263	829.550
264	829.575
265	829.600
266	829.625
267	829.650
268	829.675
269	829.700
270	829.725
271	829.750
272	829.775
273	829.800
274	829.825
275	829.850
276	829.875
277	829.900
278	829.925
279	829.950
280	829.975
281	830.000
282	830.025
283	830.050
284	830.075
285	830.100
286	830.125
287	830.150
288	830.175
289	830.200
290	830.225
291	830.250
292	830.275
293	830.300
294	830.325
295	830.350
296	830.375
297	830.400
298	830.425
299	830.450
300	830.475
301	830.500
302	830.525
303	830.550
304	830.575
305	830.600
306	830.625
307	830.650
308	830.675
309	830.700
310	830.725
311	830.750
312	830.775
313	830.800
314	830.825
315	830.850
316	830.875
317	830.900
318	830.925
319	830.950
320	830.975
321	831.000
322	831.025
323	831.050
324	831.075
325	831.100

Channel	Frequency	Channel	Frequency	Channel	Frequency	Channel	Frequency	Channel	Frequency
326	831.125	351	831.750	376	863.350	401	863.975	426	864.600
327	831.150	352	831.775	377	863.375	402	864.000	427	864.625
328	831.175	353	831.800	378	863.400	403	864.025	428	864.650
329	831.200	354	831.825	379	863.425	404	864.050	429	864.675
330	831.225	355	831.850	380	863.450	405	864.075	430	864.700
331	831.250	356	831.875	381	863.475	406	864.100	431	864.725
332	831.275	357	831.900	382	863.500	407	864.125	432	864.750
333	831.300	358	831.925	383	863.525	408	864.150	433	864.775
334	831.325	359	831.950	384	863.550	409	864.175	434	864.800
335	831.350	360	831.975	385	863.575	410	864.200	435	864.825
336	831.375	361	832.000	386	863.600	411	864.225	436	864.850
337	831.400	362	863.000	387	863.625	412	864.250	437	864.875
338	831.425	363	863.025	388	863.650	413	864.275	438	864.900
339	831.450	364	863.050	389	863.675	414	864.300	439	864.925
340	831.475	365	863.075	390	863.700	415	864.325	440	864.950
341	831.500	366	863.100	391	863.725	416	864.350	441	864.975
342	831.525	367	863.125	392	863.750	417	864.375	442	865.000
343	831.550	368	863.150	393	863.775	418	864.400		
344	831.575	369	863.175	394	863.800	419	864.425		
345	831.600	370	863.200	395	863.825	420	864.450		
346	831.625	371	863.225	396	863.850	421	864.475		
347	831.650	372	863.250	397	863.875	422	864.500		
348	831.675	373	863.275	398	863.900	423	864.525		
349	831.700	374	863.300	399	863.925	424	864.550		
350	831.725	375	863.325	400	863.950	425	864.575		

12 - Channels and their frequencies (F5 series)

Ch	Frequency	Ch	Frequency	Ch	Frequency	Ch	Frequency	Ch	Frequency	Ch	Frequency
1	514.100	48	516.450	95	518.800	142	521.150	189	523.500	236	525.850
2	514.150	49	516.500	96	518.850	143	521.200	190	523.550	237	525.900
3	514.200	50	516.550	97	518.900	144	521.250	191	523.600	238	525.950
4	514.250	51	516.600	98	518.950	145	521.300	192	523.650	239	526.000
5	514.300	52	516.650	99	519.000	146	521.350	193	523.700	240	526.050
6	514.350	53	516.700	100	519.050	147	521.400	194	523.750	241	526.100
7	514.400	54	516.750	101	519.100	148	521.450	195	523.800	242	526.150
8	514.450	55	516.800	102	519.150	149	521.500	196	523.850	243	526.200
9	514.500	56	516.850	103	519.200	150	521.550	197	523.900	244	526.250
10	514.550	57	516.900	104	519.250	151	521.600	198	523.950	245	526.300
11	514.600	58	516.950	105	519.300	152	521.650	199	524.000	246	526.350
12	514.650	59	517.000	106	519.350	153	521.700	200	524.050	247	526.400
13	514.700	60	517.050	107	519.400	154	521.750	201	524.100	248	526.450
14	514.750	61	517.100	108	519.450	155	521.800	202	524.150	249	526.500
15	514.800	62	517.150	109	519.500	156	521.850	203	524.200	250	526.550
16	514.850	63	517.200	110	519.550	157	521.900	204	524.250	251	526.600
17	514.900	64	517.250	111	519.600	158	521.950	205	524.300	252	526.650
18	514.950	65	517.300	112	519.650	159	522.000	206	524.350	253	526.700
19	515.000	66	517.350	113	519.700	160	522.050	207	524.400	254	526.750
20	515.050	67	517.400	114	519.750	161	522.100	208	524.450	255	526.800
21	515.100	68	517.450	115	519.800	162	522.150	209	524.500	256	526.850
22	515.150	69	517.500	116	519.850	163	522.200	210	524.550	257	526.900
23	515.200	70	517.550	117	519.900	164	522.250	211	524.600	258	526.950
24	515.250	71	517.600	118	519.950	165	522.300	212	524.650	259	527.000
25	515.300	72	517.650	119	520.000	166	522.350	213	524.700	260	527.050
26	515.350	73	517.700	120	520.050	167	522.400	214	524.750	261	527.100
27	515.400	74	517.750	121	520.100	168	522.450	215	524.800	262	527.150
28	515.450	75	517.800	122	520.150	169	522.500	216	524.850	263	527.200
29	515.500	76	517.850	123	520.200	170	522.550	217	524.900	264	527.250
30	515.550	77	517.900	124	520.250	171	522.600	218	524.950	265	527.300
31	515.600	78	517.950	125	520.300	172	522.650	219	525.000	266	527.350
32	515.650	79	518.000	126	520.350	173	522.700	220	525.050	267	527.400
33	515.700	80	518.050	127	520.400	174	522.750	221	525.100	268	527.450
34	515.750	81	518.100	128	520.450	175	522.800	222	525.150	269	527.500
35	515.800	82	518.150	129	520.500	176	522.850	223	525.200	270	527.550
36	515.850	83	518.200	130	520.550	177	522.900	224	525.250	271	527.600
37	515.900	84	518.250	131	520.600	178	522.950	225	525.300	272	527.650
38	515.950	85	518.300	132	520.650	179	523.000	226	525.350	273	527.700
39	516.000	86	518.350	133	520.700	180	523.050	227	525.400	274	527.750
40	516.050	87	518.400	134	520.750	181	523.100	228	525.450	275	527.800
41	516.100	88	518.450	135	520.800	182	523.150	229	525.500	276	527.850
42	516.150	89	518.500	136	520.850	183	523.200	230	525.550	277	527.900
43	516.200	90	518.550	137	520.900	184	523.250	231	525.600	278	527.950
44	516.250	91	518.600	138	520.950	185	523.300	232	525.650	279	528.000
45	516.300	92	518.650	139	521.000	186	523.350	233	525.700	280	528.050
46	516.350	93	518.700	140	521.050	187	523.400	234	525.750	281	528.100
47	516.400	94	518.750	141	521.100	188	523.450	235	525.800	282	528.150

Ch	Frequency	Ch	Frequency	Ch	Frequency	Ch	Frequency	Ch	Frequency	Ch	Frequency
283	528.200	330	530.550	377	532.900	424	535.250	471	537.600	518	539.950
284	528.250	331	530.600	378	532.950	425	535.300	472	537.650	519	540.000
285	528.300	332	530.650	379	533.000	426	535.350	473	537.700	520	540.050
286	528.350	333	530.700	380	533.050	427	535.400	474	537.750	521	540.100
287	528.400	334	530.750	381	533.100	428	535.450	475	537.800	522	540.150
288	528.450	335	530.800	382	533.150	429	535.500	476	537.850	523	540.200
289	528.500	336	530.850	383	533.200	430	535.550	477	537.900	524	540.250
290	528.550	337	530.900	384	533.250	431	535.600	478	537.950	525	540.300
291	528.600	338	530.950	385	533.300	432	535.650	479	538.000	526	540.350
292	528.650	339	531.000	386	533.350	433	535.700	480	538.050	527	540.400
293	528.700	340	531.050	387	533.400	434	535.750	481	538.100	528	540.450
294	528.750	341	531.100	388	533.450	435	535.800	482	538.150	529	540.500
295	528.800	342	531.150	389	533.500	436	535.850	483	538.200	530	540.550
296	528.850	343	531.200	390	533.550	437	535.900	484	538.250	531	540.600
297	528.900	344	531.250	391	533.600	438	535.950	485	538.300	532	540.650
298	528.950	345	531.300	392	533.650	439	536.000	486	538.350	533	540.700
299	529.000	346	531.350	393	533.700	440	536.050	487	538.400	534	540.750
300	529.050	347	531.400	394	533.750	441	536.100	488	538.450	535	540.800
301	529.100	348	531.450	395	533.800	442	536.150	489	538.500	536	540.850
302	529.150	349	531.500	396	533.850	443	536.200	490	538.550	537	540.900
303	529.200	350	531.550	397	533.900	444	536.250	491	538.600	538	540.950
304	529.250	351	531.600	398	533.950	445	536.300	492	538.650	539	541.000
305	529.300	352	531.650	399	534.000	446	536.350	493	538.700	540	541.050
306	529.350	353	531.700	400	534.050	447	536.400	494	538.750	541	541.100
307	529.400	354	531.750	401	534.100	448	536.450	495	538.800	542	541.150
308	529.450	355	531.800	402	534.150	449	536.500	496	538.850	543	541.200
309	529.500	356	531.850	403	534.200	450	536.550	497	538.900	544	541.250
310	529.550	357	531.900	404	534.250	451	536.600	498	538.950	545	541.300
311	529.600	358	531.950	405	534.300	452	536.650	499	539.000	546	541.350
312	529.650	359	532.000	406	534.350	453	536.700	500	539.050	547	541.400
313	529.700	360	532.050	407	534.400	454	536.750	501	539.100	548	541.450
314	529.750	361	532.100	408	534.450	455	536.800	502	539.150	549	541.500
315	529.800	362	532.150	409	534.500	456	536.850	503	539.200	550	541.550
316	529.850	363	532.200	410	534.550	457	536.900	504	539.250	551	541.600
317	529.900	364	532.250	411	534.600	458	536.950	505	539.300	552	541.650
318	529.950	365	532.300	412	534.650	459	537.000	506	539.350	553	541.700
319	530.000	366	532.350	413	534.700	460	537.050	507	539.400	554	541.750
320	530.050	367	532.400	414	534.750	461	537.100	508	539.450	555	541.800
321	530.100	368	532.450	415	534.800	462	537.150	509	539.500	556	541.850
322	530.150	369	532.500	416	534.850	463	537.200	510	539.550	557	541.900
323	530.200	370	532.550	417	534.900	464	537.250	511	539.600	558	541.950
324	530.250	371	532.600	418	534.950	465	537.300	512	539.650	559	542.000
325	530.300	372	532.650	419	535.000	466	537.350	513	539.700	560	542.050
326	530.350	373	532.700	420	535.050	467	537.400	514	539.750	561	542.100
327	530.400	374	532.750	421	535.100	468	537.450	515	539.800	562	542.150
328	530.450	375	532.800	422	535.150	469	537.500	516	539.850	563	542.200
329	530.500	376	532.850	423	535.200	470	537.550	517	539.900	564	542.250

Ch	Frequency	Ch	Frequency	Ch	Frequency	Ch	Frequency	Ch	Frequency	Ch	Frequency
565	542.300	612	544.650	659	547.000	706	549.350	753	551.700	800	554.050
566	542.350	613	544.700	660	547.050	707	549.400	754	551.750	801	554.100
567	542.400	614	544.750	661	547.100	708	549.450	755	551.800	802	554.150
568	542.450	615	544.800	662	547.150	709	549.500	756	551.850	803	554.200
569	542.500	616	544.850	663	547.200	710	549.550	757	551.900	804	554.250
570	542.550	617	544.900	664	547.250	711	549.600	758	551.950	805	554.300
571	542.600	618	544.950	665	547.300	712	549.650	759	552.000	806	554.350
572	542.650	619	545.000	666	547.350	713	549.700	760	552.050	807	554.400
573	542.700	620	545.050	667	547.400	714	549.750	761	552.100	808	554.450
574	542.750	621	545.100	668	547.450	715	549.800	762	552.150	809	554.500
575	542.800	622	545.150	669	547.500	716	549.850	763	552.200	810	554.550
576	542.850	623	545.200	670	547.550	717	549.900	764	552.250	811	554.600
577	542.900	624	545.250	671	547.600	718	549.950	765	552.300	812	554.650
578	542.950	625	545.300	672	547.650	719	550.000	766	552.350	813	554.700
579	543.000	626	545.350	673	547.700	720	550.050	767	552.400	814	554.750
580	543.050	627	545.400	674	547.750	721	550.100	768	552.450	815	554.800
581	543.100	628	545.450	675	547.800	722	550.150	769	552.500	816	554.850
582	543.150	629	545.500	676	547.850	723	550.200	770	552.550	817	554.900
583	543.200	630	545.550	677	547.900	724	550.250	771	552.600	818	554.950
584	543.250	631	545.600	678	547.950	725	550.300	772	552.650	819	555.000
585	543.300	632	545.650	679	548.000	726	550.350	773	552.700	820	555.050
586	543.350	633	545.700	680	548.050	727	550.400	774	552.750	821	555.100
587	543.400	634	545.750	681	548.100	728	550.450	775	552.800	822	555.150
588	543.450	635	545.800	682	548.150	729	550.500	776	552.850	823	555.200
589	543.500	636	545.850	683	548.200	730	550.550	777	552.900	824	555.250
590	543.550	637	545.900	684	548.250	731	550.600	778	552.950	825	555.300
591	543.600	638	545.950	685	548.300	732	550.650	779	553.000	826	555.350
592	543.650	639	546.000	686	548.350	733	550.700	780	553.050	827	555.400
593	543.700	640	546.050	687	548.400	734	550.750	781	553.100	828	555.450
594	543.750	641	546.100	688	548.450	735	550.800	782	553.150	829	555.500
595	543.800	642	546.150	689	548.500	736	550.850	783	553.200	830	555.550
596	543.850	643	546.200	690	548.550	737	550.900	784	553.250	831	555.600
597	543.900	644	546.250	691	548.600	738	550.950	785	553.300	832	555.650
598	543.950	645	546.300	692	548.650	739	551.000	786	553.350	833	555.700
599	544.000	646	546.350	693	548.700	740	551.050	787	553.400	834	555.750
600	544.050	647	546.400	694	548.750	741	551.100	788	553.450	835	555.800
601	544.100	648	546.450	695	548.800	742	551.150	789	553.500	836	555.850
602	544.150	649	546.500	696	548.850	743	551.200	790	553.550	837	555.900
603	544.200	650	546.550	697	548.900	744	551.250	791	553.600	838	555.950
604	544.250	651	546.600	698	548.950	745	551.300	792	553.650	839	556.000
605	544.300	652	546.650	699	549.000	746	551.350	793	553.700	840	556.050
606	544.350	653	546.700	700	549.050	747	551.400	794	553.750	841	556.100
607	544.400	654	546.750	701	549.100	748	551.450	795	553.800	842	556.150
608	544.450	655	546.800	702	549.150	749	551.500	796	553.850	843	556.200
609	544.500	656	546.850	703	549.200	750	551.550	797	553.900	844	556.250
610	544.550	657	546.900	704	549.250	751	551.600	798	553.950	845	556.300
611	544.600	658	546.950	705	549.300	752	551.650	799	554.000	846	556.350

Ch	Frequency	Ch	Frequency	Ch	Frequency	Ch	Frequency
847	556.400	894	558.750	941	561.100	988	563.450
848	556.450	895	558.800	942	561.150	989	563.500
849	556.500	896	558.850	943	561.200	990	563.550
850	556.550	897	558.900	944	561.250	991	563.600
851	556.600	898	558.950	945	561.300	992	563.650
852	556.650	899	559.000	946	561.350	993	563.700
853	556.700	900	559.050	947	561.400	994	563.750
854	556.750	901	559.100	948	561.450	995	563.800
855	556.800	902	559.150	949	561.500	996	563.850
856	556.850	903	559.200	950	561.550	997	563.900
857	556.900	904	559.250	951	561.600		
858	556.950	905	559.300	952	561.650		
859	557.000	906	559.350	953	561.700		
860	557.050	907	559.400	954	561.750		
861	557.100	908	559.450	955	561.800		
862	557.150	909	559.500	956	561.850		
863	557.200	910	559.550	957	561.900		
864	557.250	911	559.600	958	561.950		
865	557.300	912	559.650	959	562.000		
866	557.350	913	559.700	960	562.050		
867	557.400	914	559.750	961	562.100		
868	557.450	915	559.800	962	562.150		
869	557.500	916	559.850	963	562.200		
870	557.550	917	559.900	964	562.250		
871	557.600	918	559.950	965	562.300		
872	557.650	919	560.000	966	562.350		
873	557.700	920	560.050	967	562.400		
874	557.750	921	560.100	968	562.450		
875	557.800	922	560.150	969	562.500		
876	557.850	923	560.200	970	562.550		
877	557.900	924	560.250	971	562.600		
878	557.950	925	560.300	972	562.650		
879	558.000	926	560.350	973	562.700		
880	558.050	927	560.400	974	562.750		
881	558.100	928	560.450	975	562.800		
882	558.150	929	560.500	976	562.850		
883	558.200	930	560.550	977	562.900		
884	558.250	931	560.600	978	562.950		
885	558.300	932	560.650	979	563.000		
886	558.350	933	560.700	980	563.050		
887	558.400	934	560.750	981	563.100		
888	558.450	935	560.800	982	563.150		
889	558.500	936	560.850	983	563.200		
890	558.550	937	560.900	984	563.250		
891	558.600	938	560.950	985	563.300		
892	558.650	939	561.000	986	563.350		
893	558.700	940	561.050	987	563.400		

La société AUDIOPHONY® apporte le plus grand soin à la fabrication de ses produits pour vous garantir la meilleure qualité. Des modifications peuvent donc être effectuées sans notification préalable. C'est pourquoi les caractéristiques techniques et la configuration physique des produits peuvent différer des spécifications et illustrations présentées dans ce manuel. Pour bénéficier des dernières informations et mises à jour sur les produits AUDIOPHONY® connectez-vous sur www.audiophony.com AUDIOPHONY® est une marque déposée par HITMUSIC S.A.S - P.A Cahors Sud - En teste - 46230 FONTANES - FRANCE

Because AUDIOPHONY® takes the utmost care in its products to make sure you only get the best possible quality, our products are subjects to modifications without prior notice. That is why technical specifications and the products physical configuration might differ from the illustrations.

Make sure you get the latest news and updates about the AUDIOPHONY® products on www.audiophony.com AUDIOPHONY® is a trademark of HITMUSIC S.A.S - Zone Cahors sud - 46230 FONTANES - FRANCE