
Model Number: RGB REPEATER

Product name: Ironclad led RGB Amplifier

Products specification



Product Description:

This Iron shell RGB amplifier is suitable for all kinds of constant voltage led RGB controllers. It can enlarge the led controller signal through the RGB to receive the PWM(pulse width modulation),and output the signal to the load, then it can make the same effect with the controller. When add each additional amplifier, can connect and control twice more LED lights. Theoretically, one controller can connect with thousands of this type of RGB amplifiers, and can make the same effect. This amplifier can adapt to all kinds of constant voltage or constant current lamps and lanterns, such as strip lights, panel lights, LED modules, project-light lamp, etc.

Main Feature

1. Adapting the input voltage DC12 ~ 24V, also with the input polarity protection function.
2. Adapting various PWM dimming signal, change effect is exquisite, flicker-free.
3. Adapting the high power dimming control MOS tube, with the strong driving load capacity, maximum power current can reach 30A, stable performance.
4. Brightness of Input and output almost stay the same.
5. The power expander signal input and output are available.

Technical Parameters

Working temperature: -20-60°C

Input voltage: DC12V~24V

Output: 3 circuit

Connection mode: Common anode

Controller size: L110×W90×H25mm

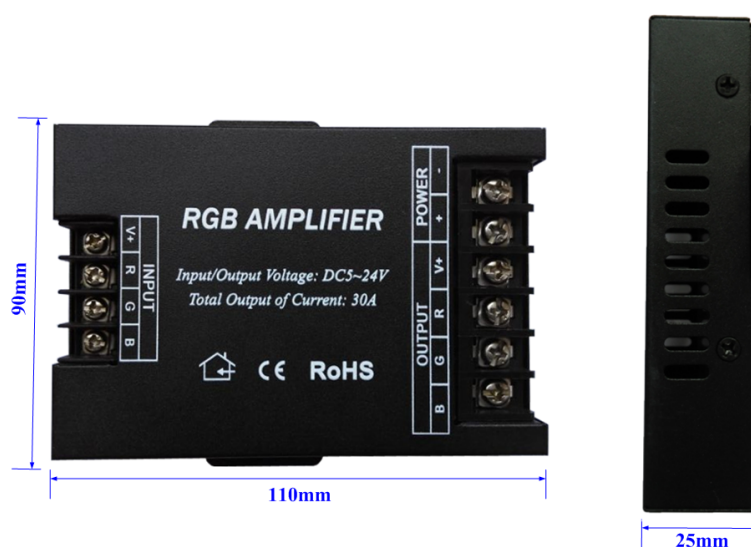
Net weight: 175g,

Static power consumption: <1W

Output current: <10A/ch

Output power: 12V:<360W, 24V:<720W

External dimension



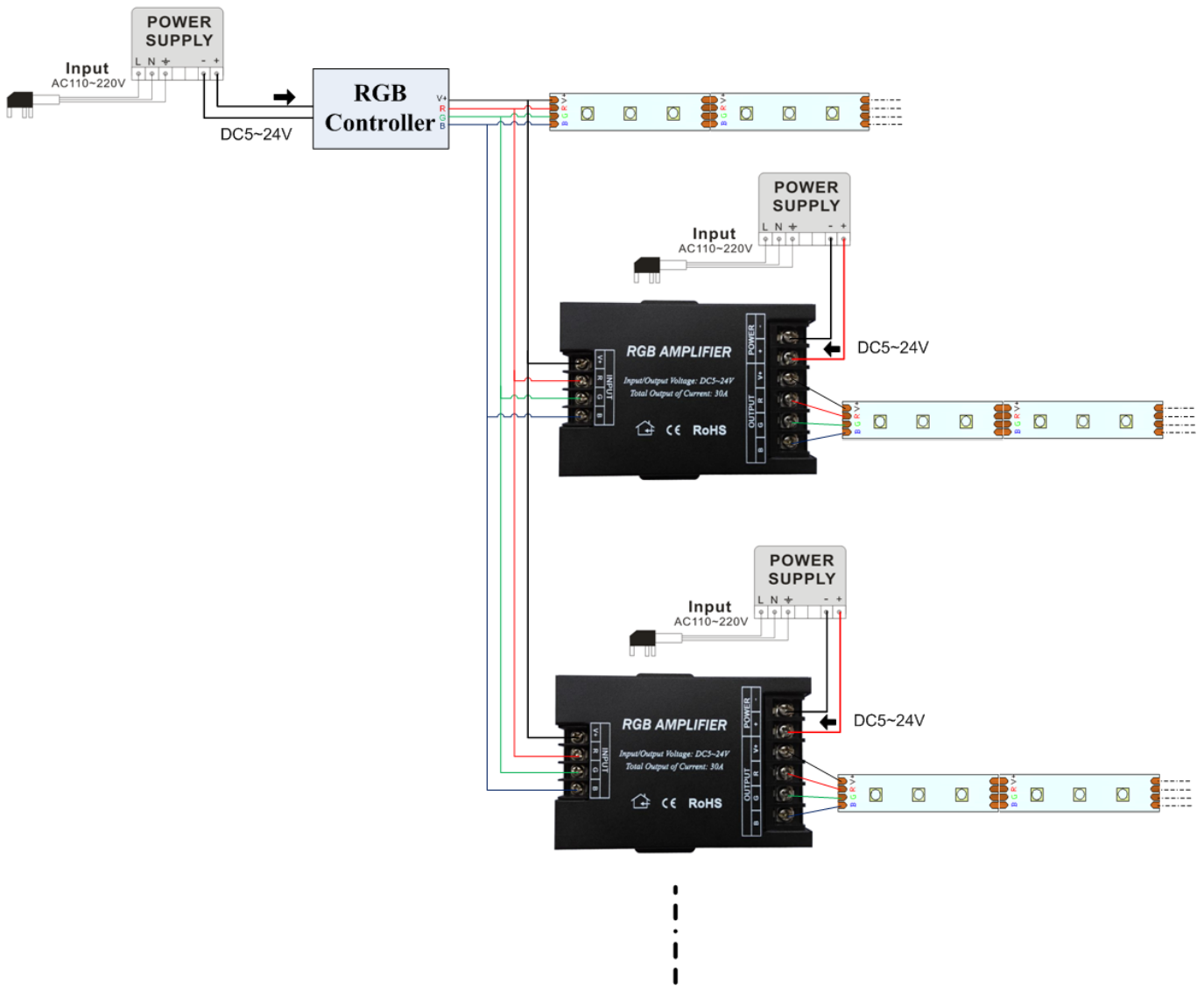
Connection description:



Instructions:

According to the amplifier panel screen printing tips, connect well the input and output signal line in order, ensure there is no short circuit between line and line, then power-on the RGB amplifier, the specifically used with LED control, please refer to the < Typical application > as below.

Typical application



Cautions:

- 1、 This product only use on supply voltage DC12-24V, do not input on other voltage.
- 2、 The lead wire shall be according to the wiring diagram of the color and label, connect correctly.
- 3、 This product cannot be overloaded.