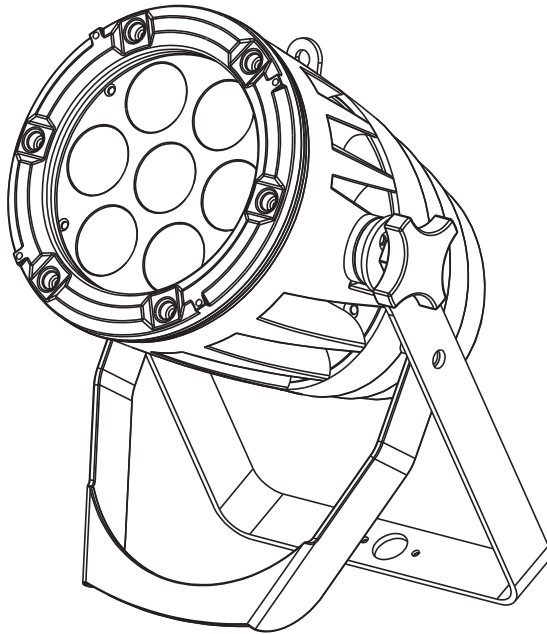




CLF Xena RGBW Par

Item #: 156150



Version 1.0
January 2015



1. BEFORE YOU BEGIN

What is included

- 1 x fixture
- 1 x power cable with plug
- 1 x user manual

Unpacking Instructions

Immediately upon receiving a fixture, carefully unpack the carton; check the content to ensure that all parts are present, and have been received in good condition. Notify the shipper immediately and retain packing material for inspection if any parts appear damaged from shipping or the carton itself shows signs of mishandling. Save the carton and all packing materials. In the event that a fixture must be returned to the factory, it is important that the fixture is returned in the original factory box and packing.

AC POWER

This fixture has an auto-switching switch-mode power supply that can accommodate a wide range of input voltages. The only thing necessary to do before powering on the unit is to make sure the line voltage you are applying is within the range of accepted voltages. This fixture will accommodate between 100V and 240V AC 50-60 Hz. Each fixture is connected end to end by the power socket "POWER IN" and "POWER OUT" on the fixture .



Help preserve the environment! Ensure that this product is recycled at the end of its life. Your supplier can give details of local arrangements for the disposal of products.

Safety Instructions



WARNING!

Please read these instructions carefully, which includes important information about the installation, usage and maintenance of this product

The following symbols are used to identify important safety information on the product and in this manual:



DANGER!
Safety hazard.
Risk of severe injury or death



DANGER!
Hazardous Voltage. Risk of lethal or severe electric shock.



WARNING!
Fire hazard



WARNING!
LED fixture emission. Risk of eye injury.



WARNING!
Refer to user manual

- This fixture belongs to grade I protection device, therefore the fixture must be connected to earth excellently. And the power connection must be operated by the professional technician.
- Make sure that the working Voltage is not higher or lower than the rated value.
- Make sure that the cable is not be damage or lacerated by sharp objects.
- The fixture must be powered off when it's standing idle or before clearing.
- Please be careful when installing the fixture. Never touch the bared cable, or it will cause a deadly electric shock.
- Please use a suitable and safe cable to connect the fixture .
- Maximum ambient temperature is 40°C. Do not operate fixture at temperatures higher than this.
- Never connect the device to a dimmer pack.

2.INTRODUCTION

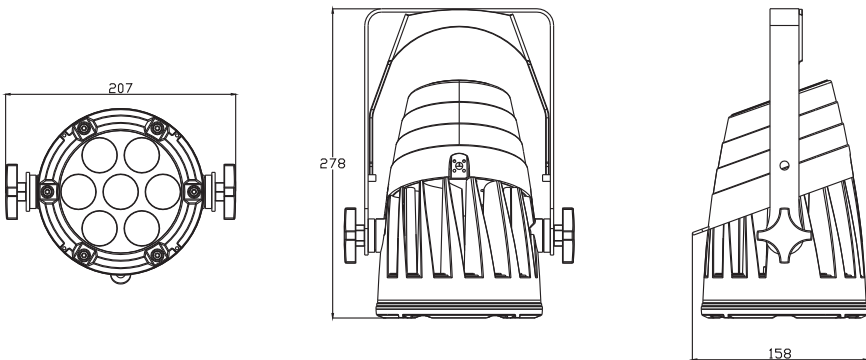
Specifications

- Voltage Rating: AC100V~240V 50-60Hz
- Power Rating: 50W
- Cos ϕ : 0.67
- LED Quantity: 7x 4-in-1 LED(RGBW)
- LED: 500mA
- Beam Angle: 25°
- IP rating: Indoor
- Product Size: 207x158x278mm
- Package Size: 275x235x355mm
- N/W:3.5Kg

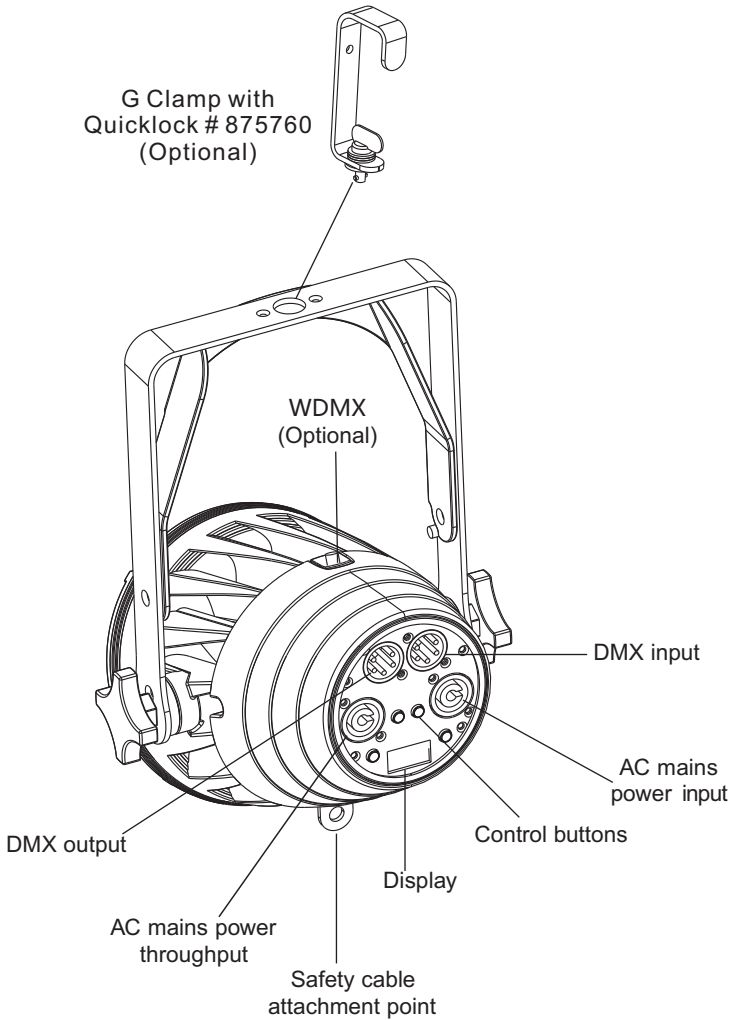
Features

- RGBW color mixing with or without DMX controller
- Operating Modes: DMX512 Connection /Master & Slave
- DMX Channels: 4/5/9 channels
- COLOR(4CHS): RGBW
- FLASH(5CHS): Strobe+RGBW
- STAGE(9CHS): Strobe+Dimmer+RGBW+ macro color +Programe + ID

Dimensions



Fixture overview



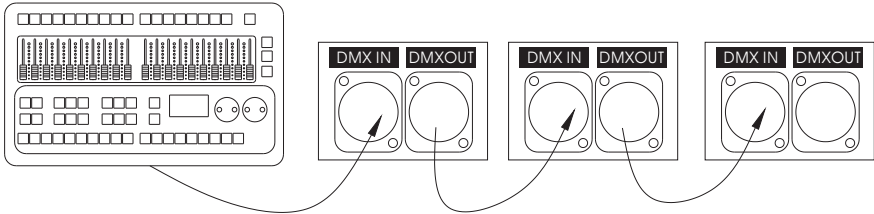
3.SETUP

Installation Requirement

- This product can be used in a variety of situations, can hang and placed on the ground.
- If hanging the fixture for over head use, then please follow the below steps.
- Please choose a suitable location to put or hang the fixture when installing it.
- Please make sure without any flammable objects within 0.5m when installing the fixture .
- The installation should be operated by a professional person; any irregular installation will cause body injury or equipment damage.
- Block access below the work area and use suitable and stable platform when installing or servicing fixture.

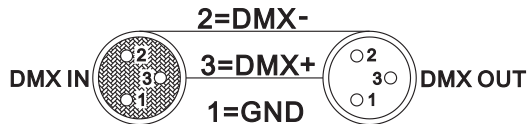
Connection of DMX Signal Wire

This product can be connected numerous lamps in series without the need for the signal amplifier; the signal will not be weakened.



3-PIN TO 5-PIN CONVERSION CHART

Note! If you use a controller with a 5 pin DMX output connector, you will need to use a 5 pin to 3 pin adapter.

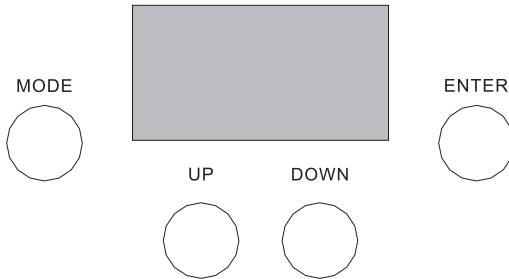


3 PIN TO 5 PIN CONVERSION CHART

Conductor	3 Pin Female(output)	5 Pin Male (Input)
Ground/Shield	Pin 1	Pin 1
Data (-) signal	Pin2	Pin2
Data (+) signal	Pin 3	Pin 3
not used		not used
not used		not used

4. OPERATING INSTRUCTIONS

Control Panel Functions



BUTTON	FUNCTION
MODE	Exits from the current menu or function
UP	Navigates upwards through the menu list and increases the numeric value when in a function
DOWN	Navigates downwards through the menu list and decreases the numeric value when in a function
ENTER	Enables the currently displayed menu or sets the currently selected value in to the selected function

1. The display backlighting goes on an off when there is no DMX present.
2. Holding down the "UP" or "DOWN" button for more than 3 seconds, the MENU display will flip 180°

MAIN FUNCTION	SUB-FUNCTION	SELECTION	INSTRUCTION	
DMX ADDRESS		001~512	Set DMX start address	
CONTROL MODE	Stage MODE		9Ch= Strobe+DIM+Red LED+Green LED+Blue LED+White LED+Macro Color+Program+ID	
	Color MODE		4Ch=Red LED+Green LED +Blue LED +White LED	
	Flash MODE		5 Ch=Strobe+Red LED+Green LED +Blue LED +White LED	
STATIC COLOR	Dimmer	00~100	User can combine RED, GREEN, BLUE, WHITE to generate a custom color	
	Red	00~100		
	Green	00~100		
	Blue	00~100		
	White	00~100		
	Strobe	No Function		Static colours
		ST(01-10)		Strobe
speed	0-20		Strobe speed	
AUTO	AUTO(01-08)	Speed(00-20)	8 AUTO programs and speed available	
	TEST		Test Fixture	
PERSONALITY	ID Address	01-66	Assign ID address for fixtures	
	ID Switch	ON~OFF	Enable or disable ID	
	Dimmer Speed	Smooth		Smooth dimming with restricted speed
		Normal		Normal dimming mode
	WDMX	ON		Turn on the Wireless
		OFF		Turn off the Wireless
		RESET		Reset the Wireless
	LED BOOST MODE	ON		single leds in full power with 120% current, when color mix will drop to 100% current.
OFF			LEDs in 100% full output power	
WHITE BALANCE	RED	000~255	User can combine RED, GREEN, BLUE to generate a basic white color	
	GREEN	000~255		
	BLUE	000~255		
INFO			Presente to see next information	
FACTORY SET	LOAD		Reset all settings to factory defaults	

Master/Slave Control Mode

1 Set fixture to master mode

Access control panel function by pressing MODE until **【AUTO】** is displayed.
Press ENTER, select **【AUTO 0 1-08】** by pressing UP/DOWN buttons.
Press ENTER, and then press MODE to exit.

2 Set fixture to slave mode

Access control panel function by pressing MODE until **【DMX ADDRESS】** is displayed.

DMX512 Controller Mode

1 Setting DMX512 Address

【DMX ADDRESS】 -- 【001--512】

Access control panel function by pressing MODE until **【DMX ADDRESS】** is displayed.
Press ENTER, add or reduce channels by pressing UP/DOWN between 001 and 512.
Press MODE to exit.

3 Setting Channels

【CONTROL MODE】 -- 【4/5/9 channels】

Access control panel function by pressing MODE until **【CONTROL MODE】** is displayed.
Press ENTER button, select DMX channel by pressing UP/DOWN,
Press MODE to exit.

DMX512 Channel Values

Color	Flash	Stage	Value	Description
				Electronic shutter effect
			0 - 19	Shutter closed
			20 - 24	Shutter open
			25 - 64	Strobe 1 (fast --slow)
			65 - 69	Shutter open
			70 - 84	Strobe 2: opening pulse (fast--slow)
			85 - 89	Shutter open
			90 - 104	Strobe 3: closing pulse (fast--slow)
			105 - 109	Shutter open
			110 - 124	Strobe 4: random strobe (fast--slow)
			125 - 129	Shutter open
			130 - 144	Strobe 5: random opening pulse (fast -- slow)
			145 - 149	Shutter open
			150 - 164	Strobe 6: random closing pulse (fast-- slow)
			165 - 169	Shutter open
			170 - 184	Strobe 7: burst pulse (fast--slow)
			185 - 189	Shutter open
			190 - 204	Strobe 8: random burst pulse (fast--slow)
			205 - 209	Shutter open
			210 - 224	Strobe 9: sine wave (fast --slow)
			225 - 229	Shutter open
			230 - 244	Strobe 10: sine wave pulse (fast --slow)
			245 - 255	Shutter open
		2、	000 - 255	Dimmer (0-100%)
1、	2、	3、	000 - 255	LED Red(0-100%)
2、	3、	4、	000 - 255	LED Green(0-100%)
3、	4、	5、	000 - 255	LED Blue(0-100%)
4、	5、	6、	000 - 255	LED White(0-100%)
		7、	000~009	No Function
			010~255	Macro color control
			000~010	No Function
			011~040	AUTO 01
			041~070	AUTO 02
			071~100	AUTO 03
			101~130	AUTO 04
			131~160	AUTO 05
			161~190	AUTO 06
			191~220	AUTO 07
			221~255	AUTO 08
		9、	000~255	ID address selection

ID ADDRESS SELECTION

VALUE	FUNCTION	VALUE	FUNCTION	VALUE	FUNCTION
000~009	All Ids	212	ID23	235	ID46
010~019	ID1	213	ID24	236	ID47
020~029	ID2	214	ID25	237	ID48
030~039	ID3	215	ID26	238	ID49
040~049	ID4	216	ID27	239	ID50
050~059	ID5	217	ID28	240	ID51
060~069	ID6	218	ID29	241	ID52
070~079	ID7	219	ID30	242	ID53
080~089	ID8	220	ID31	243	ID54
090~099	ID9	221	ID32	244	ID55
100~109	ID10	222	ID33	245	ID56
110~119	ID11	223	ID34	246	ID57
120~129	ID12	224	ID35	247	ID58
130~139	ID13	225	ID36	248	ID59
140~149	ID14	226	ID37	249	ID60
150~159	ID15	227	ID38	250	ID61
160~169	ID16	228	ID39	251	ID62
170~179	ID17	229	ID40	252	ID63
180~189	ID18	230	ID41	253	ID64
190~199	ID19	231	ID42	254	ID65
200~209	ID20	232	ID43	255	ID66
210	ID21	233	ID44		
211	ID22	234	Id45		

ID Address Instructions

1. Setting ID address

【PERSONALITY】 -- 【ID】

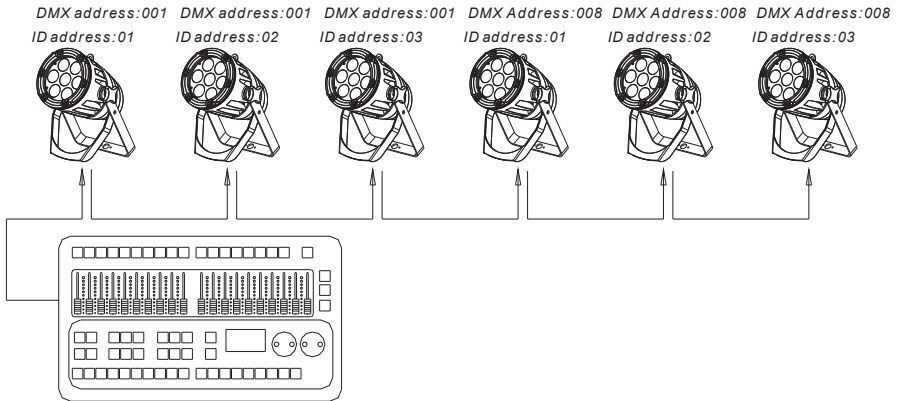
- 1、 Access control panel function by pressing MODE until **【PERSONALITY】** is displayed.
- 2、 Press ENTER, select by pressing UP/DOWN until is **【ID Address】** displayed.
- 3、 Press ENTER, increase or reduce ID values by pressing UP/DOWN between 01 and 66.
- 4、 Press MODE to exit.

2. Enable or disable ID

【PERSONALITY】 -- 【ID SWITCH】 -- 【ON-OFF】

- 1、 Access control panel function by pressing MODE until **【PERSONALITY】** is displayed.
- 2、 Press ENTER, select by pressing UP/DOWN until is **【ID SWITCH】** displayed.
- 3、 Press ENTER, turn on or off ID addressing by pressing UP/DOWN buttons.
- 4、 Press MODE to exit.

For every DMX512 address the user can set 66 separate ID addresses. ID addressing is a secondary function in DMX512 mode. In DMX512 Controller Mode, the user can simultaneously control the individual DMX address of all fixtures, and can control the fixtures which have separate ID address in independent DMX512.



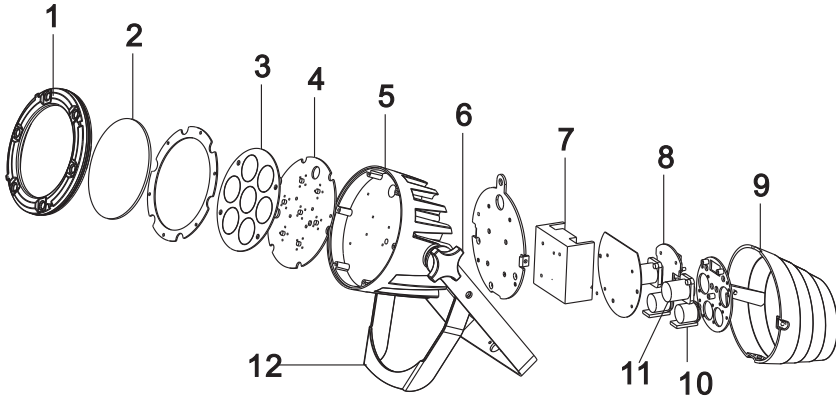
Select **Stage** channel on fixture's control panel (Please refer to DMX512 Channels Selection). The figure above shows a simple DMX layout which has used three units at each DMX address. The three units have different ID addresses. In the DMX address: 001, the user can control the first three fixtures simultaneously. When using channel 9 select the channel number is 020-029 and ID Address=02, the controller can control the second fixture individually. When using channel 9 select the channel number is 000-010 and ID Address=00, all the fixtures are in common use at the same DMX address.

5. APPENDIX

Service Maintenance Guide

Symptom(s)	Possible Solution(s)
1 or more LED's are not illuminating	Clean the fixture regularly to avoid any such failure. This fixture is convection cooled, which means that if the surface is kept clean and free of debris, then proper cooling will be allowed to occur
	An LED may have failed, resulting in an open circuit. In this event, all of the red, green, or blue in a single module will no longer illuminate. This does not mean that all of the LEDs have failed, but the circuit is wired in series.
	An LED may have failed, resulting in a short circuit. In this event, only the single LED which has failed will no longer function. This does not mean that all of the LEDs have failed, but the circuit is wired in series.
	-Note: In the event of LED failure, a replacement LED PCB assembly may be purchased directly from Our company
Breaker/fuse keeps blowing	Check total load placed on the electrical circuit
	Check for a short in the electrical wiring: internal and/or external
Device has no power	Check for power on Mains
	-Note: In the event of autoswitching transformer failure, the unit can be sent in for repair; however, a replacement part can be ordered directly from Our company
Fixture is not responding to DMX	Check Control Panel settings for correct addressing
	Check DMX cables
	Check polarity switch settings on the controller
	Check cable connections
	Call service technician
	-Note: In the event of Display PCB failure, a replacement PCB can be ordered directly from Our company
Loss of signal	Use only 120 Ohm DMX cables
	Install terminator
	Note: Keep DMX cables separated from power cables or black fixture s

Blow-out Diagram.



	Description	Part Number
1	Glass cover	3300609
2	Tempered glass	4170709
3	LED Lens assembly	2P00609
4	LED Metal-core PCB assembly	6B01110
5	radiator	5000611
6	Bracket adjustment metal knob	5080102
7	Electronic Transformer	2P80300
8	Display PCB	6P00613
9	House	5040201
10	DMX socket	P00606
11	power socket	2P00605
12	Bracket Assembly	5020119