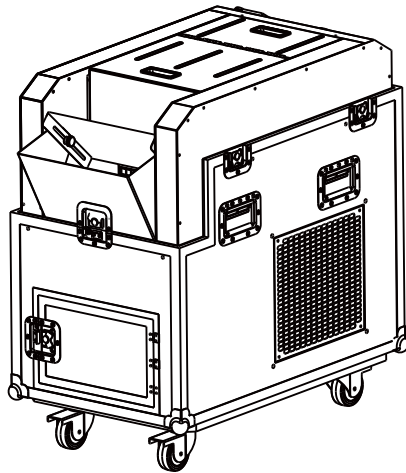




[PRO STAGE EFFECTS]



H-R1 USER MANUAL

SPEED-CHANGING CONFETTI MACHINE

◆ Foreword

Thank you very much for choosing DJPOWER H-R1 Speed-Changing Confetti Machine. This is a newly designed confetti jet machine. Before start operating, we strongly suggest you read the user manual carefully. Following the instructions here will ensure your safety while operating the machine, easily achieve the best effect, as well as understand the right way to care for and maintain the machine, hence to prolong the product life cycle.

◆ Products Description

This is a newly designed confetti machine with worldly unique confetti-transit technology developed by DJPOWER. Propelled by powerful wind, it can launch confetti to 20 meters high, very suitable for large performance.

We only create the professional new products for you. Get away from the inconvenient and low-end round-shape confetti machine!

◆ Products Features

1. Bilingual (Chinese and English) display, easier to use;
2. With integrated flight case, very rugged;
3. With DMX to adjust confetti output;
4. With unique roll paper conveying patent technology to output confetti smoothly and equably;
5. LCD control interface, support controlling by DMX-512.



Due to the powerful wind, in order to avoid the unnecessary damage, please keep away from the spraying nozzle and make sure no substances falling to the nozzle before operating the machine.

◆ Safety use

1. Keep the fixture dry. For indoor and outdoor used.
2. Use grounded electrical outlet. Prior to use, make sure that unit is installed at the rated voltage.
3. Turn off or unplug when not using it.
4. This machine is not water-proof. Please keep it away from moisture and water. If moisture, water, or fluid gets inside the housing, stop using it.
5. No user serviceable and modifiable parts inside. Do not disassemble the housing and do any modification, otherwise it might cause damage to the unit or danger of burning.
6. For adult use only. Fixture must be installed out of the reach of children. Never leave the unit running unattended. Keep it away from fire, combustible and flammable materials.
7. Position the machine in well-ventilated area. Please leave about 50cm spaces surrounding the unit.

8. Please do not use the fixture under high temperature.
9. If something wrong happens while using, please stop the fixture immediately, cut off the power, and check the fuse, power cable and power plug. If problem could not be resolved, please contact with your dealer.

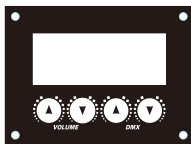
◆ **Opening the package and inspecting the machine**

Please make sure the machine is in good condition after opening the package. If there is any damage, please contact with your dealer directly and do not power on the machine.

◆ **The following parts should be included when you receive the package:**

1. One H-R1 Speed-Changing Confetti Machine
2. One Power Cord
3. One User Manual

◆ **Operating instructions**



1. When plug into the socket, up the breaker, now the machine is powered.
2. No DMX signal when the machine is powered, LCD displays:
Address code: No signal
Output: 1%
Press the MENU to set DMX by ▲、▼ button, ranging from 1~512, then to “VOLUME” to set the confetti output by ▲、▼ button, ranging from 1%~100%.
3. DMX shows on the LCD:
Address code: 1
Output: 1%
The channel 1 is to control the confetti output, now the ▲、▼ button matched with “VOLUME” won’t work. 1% is the min rotary speed of motor delivering confetti, 100% is the max.
4. Press the “start/ shut down” button, the fan starts working, and the motor door will open, then the motor delivering confetti will start working after 4s, now press the “start/ shut down” button again, then the fan and motor delivering confetti will stop working, when the motor door closes, the machine will stop working.

◆ **Technical parameters**

Model:	H-R1
Input Voltage:	AC 380V 50Hz
Total Power Consumption:	2,300 W
DMX-512:	√

The Longest Lasting Time:	90 s
Max Output Height (at 90°):	20 m
Max Output Distance (at 45°):	30 m
Max Output coverage:	300 m ²
Net Weight:	114 kg
Gross Weight:	122 kg
Machine Dimensions:	895/545/965 mm
Packing Dimensions:	965/615/1020 mm

◆ **Diagram**

1. Removable cover
2. Handle
3. Spraying nozzle
4. Storage room
5. 3-pin DMX socket
6. 5-pin DMX socket
7. On/off button
8. LCD display
9. Power switch
10. Power cable
11. Buckle lock
12. Handle
13. The air inlet grid
14. Trundle with lock

