



Little Blue Book
Issue Seven



Welcome to Doughty® Engineering Ltd

Telephone	+44 (0) 1425 478961
Fax	+44 (0) 1425 474481
E Mail	sales@doughty-engineering.co.uk
Website	www.doughty-engineering.co.uk

Welcome to the latest issue of the Little Blue Book.

This catalogue outlines a range of goods and services available from Doughty® Engineering Ltd.

Doughty® began the manufacture of products for the entertainment industry in 1985, and are now one of the world's leading manufacturers of rigging, suspension and lifting equipment for film/TV, theatre and concert halls.

Quality and safety are always key issues at Doughty®. To ensure our products are safe they are all subject to the most rigorous testing possible. Testing that incorporates where necessary, approval by the TÜV product services. Products that have been tested will show the TÜV Logo.

Doughty® are members of ESTA (Entertainment Services and Technology Association) and PLASA (Professional Light and Sound Association) and adhere strictly to the standards of trading expected.



Aluminium Clamps	4 - 61
Al Track Curtain Track	164 - 167
Barrel Receivers	115
Barrel Trolleys	251
Easy Deck Staging	168 - 175
Electrical Connectors	235
Facility Panels, CPU's & Distribution Boxes	236 - 237
Floor and Wall Plates	116 - 119
Girder Clamps	67 - 69
Grip Equipment	180 - 192
Hook Clamps	72 - 80
Hooks, Eyes & Shackles	81 - 87
Internally Wired Bar	230 - 231
Lighting Hoists	252 - 253
Marquee Clamps	71
Pantographs	250
Part No Index	254 - 260
Pipeclamps	138 - 147
Pipes & Tubes	124 - 126
Pulleys	92 - 103
Rack Frames	234
Safety Bonds	88 - 91
Scaffold Clamps	127 - 129
Scenery Fixings	104 - 113
Scissor Clamps	70
Shackles	86 - 87
Sixtrack Curtain Track	148 - 163
Speedrail	130 - 137
Spigots	220 - 229
Stand Accessories	193 - 201
Stands	202 - 219
Studio Rail	238 - 249
Supaclamps	176 - 179
Suspension Clamps	62 - 66
Swivel Arms	114
Wall Brackets	120 - 123
19 Pin Connectors	232 - 233

Aluminium Clamps

Quick Reference Guide

Range	Tube Diameter	Width	SWL	Page(s)
Twenty Clamp [®]	Ø48 - 51mm	28mm	20 Kg	4 - 5
Std Doughty Clamps	Ø48 - 51mm	50mm	750 Kg	6 - 10
Low Profile Clamps	Ø48 - 51mm	50mm	500 Kg	11
Stainless Fixings	Ø48 - 51mm	30mm	750 Kg	12 - 13
Slimline Doughty Clamps	Ø48 - 51mm	30mm	750 Kg	16 - 18
Lightweight Clamps	Ø48 - 51mm	50mm	500 Kg	19 - 21
Slimline Lightweights	Ø48 - 51mm	30mm	300 Kg	22 - 23
Super Lightweights	Ø48 - 51mm	30mm	75 Kg	24 - 25
25mm Atom Clamps	Ø25mm	21mm	100 Kg	26 - 29
32mm Atom Clamps	Ø32mm	30mm	100 Kg	26 - 29
38mm Atom Clamps	Ø38mm	30mm	100 Kg	26 - 29
Mammoth Clamps	Ø60 - 63mm	30mm	500 Kg	30 - 32
Slimline Mammoths	Ø60 - 63mm	30mm	300 Kg	33 - 34
Trigger Clamps [®]	Ø48 - 51mm	30mm	200 Kg	35 - 37
Quick Trigger Clamps [®]	Ø38 - 51mm	50mm	250 Kg	38 - 40
Slimline Quick Triggers [®]	Ø38 - 51mm	30mm	100 Kg	41 - 43
Titan Quick Triggers [®]	Ø48 - 80mm	30mm	100 Kg	44 - 46
Speciality Couplers				47 - 52

Aluminium Clamps at a Glance



Twenty Clamp®
Pages 4 - 5



Doughty Clamps®
Pages 6 - 10



Low Profile Clamps
Page 11



Stainless Fixings
Pages 12 - 13



Slimline Doughty Clamp
Pages 16 - 18



Lightweight Clamps
Pages 19 - 21



Slimline Lightweights
Page 22 - 23



Super Lightweights
Page 24 - 25



Atom Clamps
Pages 26 - 29



Mammoth Clamps
Pages 30 - 32



Slimline Mammoth Clamps
Pages 33 - 34



Trigger Clamps®
Pages 35 - 37



Quick Trigger Clamps®
Pages 38 - 40



Slimline QTrigger Clamps®
Pages 41 - 43



Titan QTrigger Clamps®
Pages 44 - 46



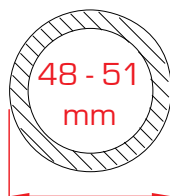
Speciality Couplers
Pages 47 - 52

TWENTY CLAMP®

The Twenty Clamp® is the latest addition to our range of aluminium clamps. Manufactured with pressure die cast aluminium, the Twenty Clamp® has been designed to eliminate truss damage usually associated with steel hook clamps. This stylish compact clamp has a SWL of 20 Kg and can be secured to tubes of 48 - 51 mm diameter with just two turns of the Doughty® knob. As with all major Doughty® products the Twenty Clamp® carries full CE marking and TÜV approval.

Main features:

- SWL 20 Kg
- TÜV approval
- Captive M10 or M12 bolt
- Fits 48 - 51 mm diameter tubes
- Two turns to secure clamp
- Pressure die cast aluminium
- Prevents damage to thin wall truss



20clamp™

Twenty Clamp®

Twenty Clamp®

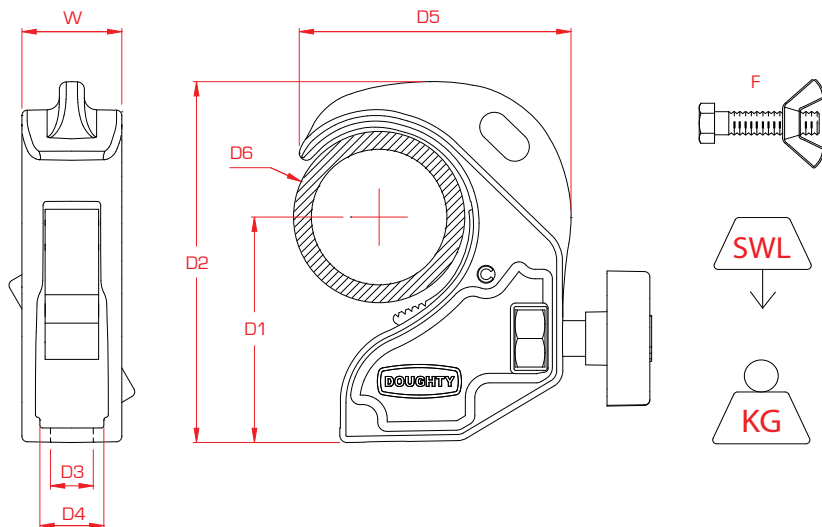


T58400



Twenty Clamp®

SWL	20 Kg	D5	76mm
D1	63mm	D6	Ø48 - 51mm
D2	100mm	W	28mm
D3	Ø12.5mm	Kg	0.26 Kg
D4	M10 & M12	F	M10x30



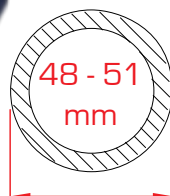
DOUGHTY® CLAMPS

The Doughty® Clamp combines strength and durability with a high degree of safety. Constructed from high tensile aluminium & finished in either polished aluminium or black powder paint, this unit provides a secure fixing for tubes with external diameters from 48 - 51 mm.

The standard clamp is slotted, allowing the use of a captive M12 nut or bolt head, enabling users to create fixings suited to their own individual requirements. This clamp has been TÜV tested and approved with a SWL of 750 Kg.

Main features:

- SWL 750 Kg
- TÜV approval
- Captive M12 bolt
- Fits 48 - 51 mm diameter tubes
- High tensile aluminium





T57000 - Silver



T57200 - Silver



S0123 - Silver
S0124 - Black



T57010 - Black



T57201 - Black



T57120 - Silver
T57121 - Black

Standard

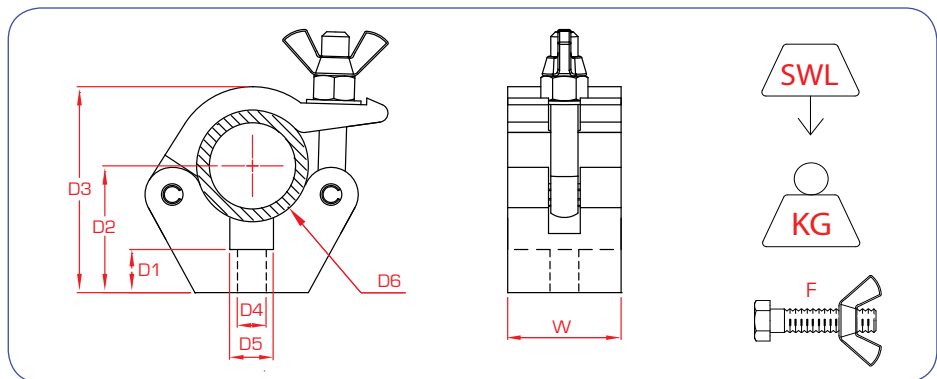
SWL	750 Kg
D1	19mm
D2	55mm
D3	90mm
D4	Ø12.7mm
D5	19mm
D6	Ø48 - 51mm
W	50mm
Kg	0.63 Kg

Hook Clamp

SWL	750 Kg
D1	19mm
D2	55mm
D3	90mm
D4	Ø12.7mm
D5	19mm
D6	Ø48 - 51mm
W	50mm
Kg	0.71 Kg
F	M12x50

Easy Grip

SWL	750 Kg
D1	19mm
D2	55mm
D3	90mm
D4	Ø12.7mm
D5	19mm
D6	Ø48 - 51mm
W	50mm
Kg	0.63 Kg





Swivel Coupler

SWL	750 Kg
D1	110mm
D2	180mm
D3	Ø48 - 51mm
W	50mm
Kg	1.33 Kg

90° Fixed Coupler

SWL	750 Kg
D1	110mm
D2	180mm
D3	Ø48 - 51mm
W	50mm
Kg	1.33 Kg

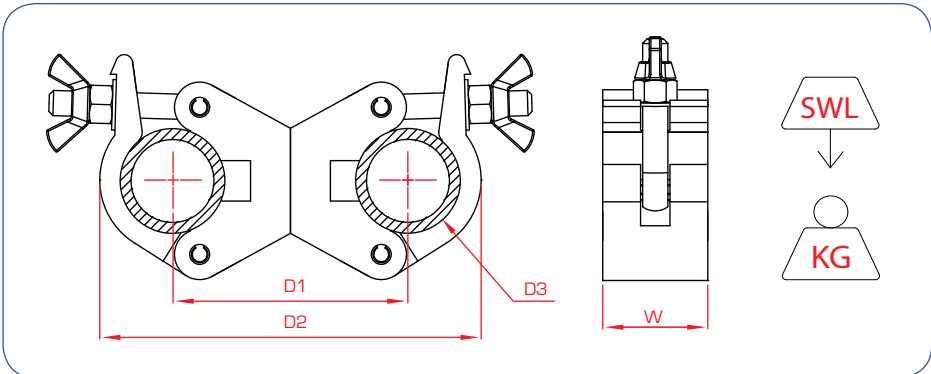
Parallel Coupler

SWL	750 Kg
D1	110mm
D2	180mm
D3	Ø48 - 51mm
W	50mm
Kg	1.33 Kg

Maximum Torque
30 N-m
22 lb-ft



Tube Diameters
48 - 51mm





T57215 - Silver



T57216 - Black



T57225 - Euro - Silver
 T57226 - Din - Silver
 T5722501 - Euro - Black
 T5722601 - Din - Black

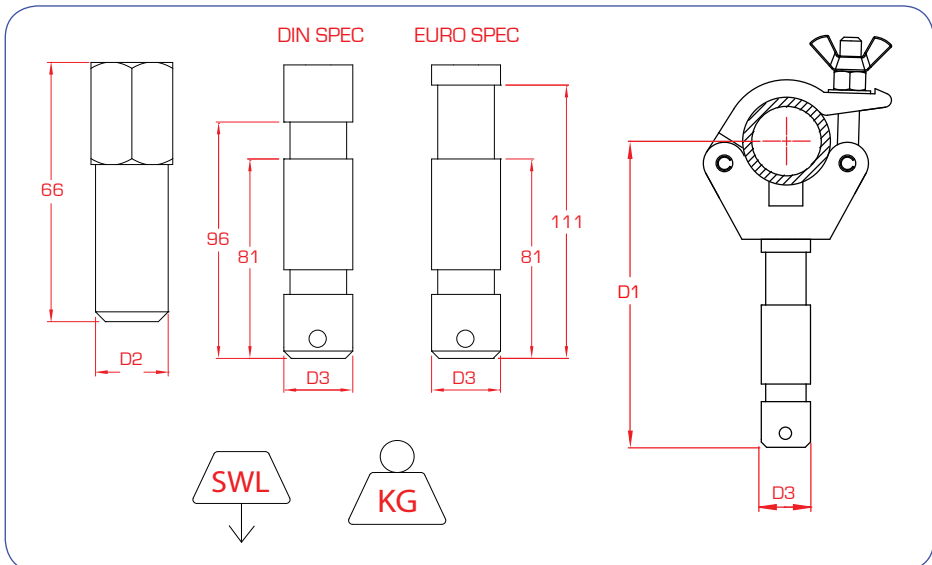


T57227 - Euro Spec
 T57228 - Din Spec

Little Tom	
SWL	N/A
D1	121mm
D2	Ø19mm
W	50mm
Kg	0.74 Kg

Big Ben	
SWL	200 Kg
D1	170mm
D3	Ø28mm
W	50mm
Kg	0.86 Kg

Articulated Big Ben	
SWL	200 Kg
D1	250mm
D3	Ø28mm
W	50mm
Kg	1.77 Kg





T57223 - Silver
T57224 - Black



T57235 - Silver
T57236 - Black



T57205 - Silver
T57206 - Black



T57207 - Silver

TV Doughty Clamp

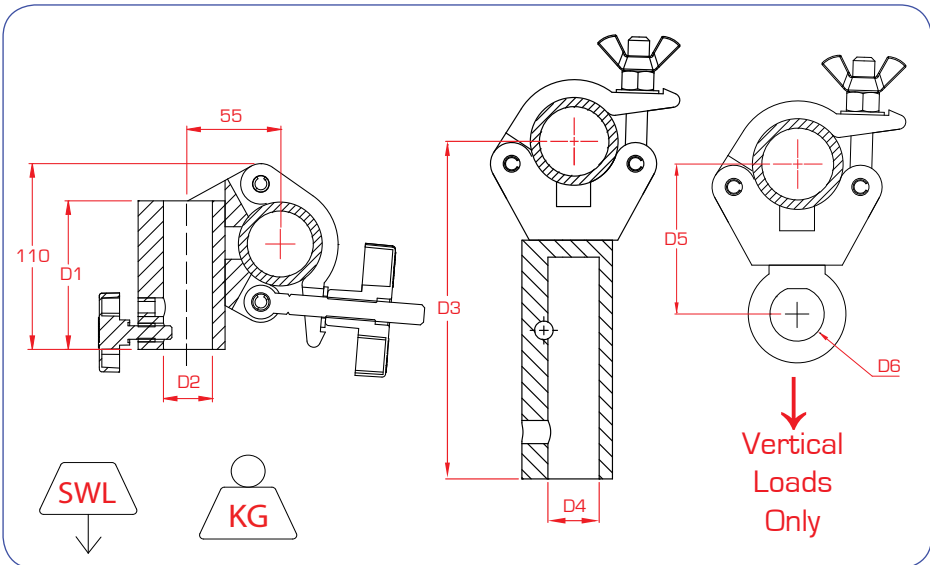
SWL	250 Kg
D1	83mm
D2	Ø29mm
W	50mm
Kg	0.93 Kg

TV Quick Clamp

SWL	200 Kg
D3	190mm
D4	Ø29mm
W	50mm
Kg	1.22 Kg

Hanging Clamps

	T57205/6	T57207
SWL	340 Kg	500 Kg
D5	82mm	87.5mm
D6	Ø30mm	Ø35mm
Kg	0.84 Kg	0.90 Kg





T57230



T58600



T58601



T58605 - Silver
T58606 - Black

LP Weld Coupler

SWL	500 Kg
D1	36mm
D2	50mm
D3	Ø12.7mm
D4	Ø48 - 51mm
W	50mm
Kg	0.49 Kg

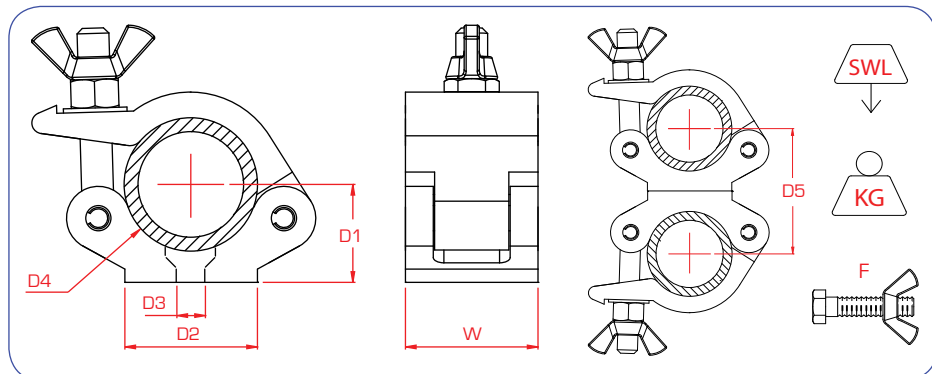
LP Hook Clamp

SWL	500 Kg
D1	36mm
D2	50mm
D3	Ø12.7mm
D4	Ø48 - 51mm
W	50mm
Kg	0.57 Kg
F	M12x45

LP Swivel Coupler

SWL	500 Kg
D5	72mm
D4	Ø48 - 51mm
W	50mm
Kg	1.06 Kg

LP = Low Profile

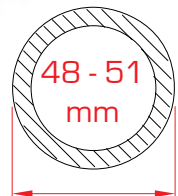


STAINLESS FIXINGS

Due to the increasing number of outdoor events using truss roof systems etc, Doughty® Engineering have developed a range of Doughty® Clamps with stainless steel fasteners to allow these clamps to be used outside for prolonged periods minimising any galvanic corrosion. These clamps have a SWL of 750 Kg.

Main features:

- SWL 750 Kg
- Captive M12 bolt
- Stainless steel fasteners
- Fits 48 - 51mm diameter tubes
- High tensile aluminium



Stainless Steel Fasteners



ST57000



ST57001



ST57100

ST Standard Coupler

SWL	750 Kg
D1	19mm
D2	55mm
D3	90mm
D4	Ø12.7mm
D5	19mm
D6	Ø48 - 51mm
W	50mm
Kg	0.63 Kg

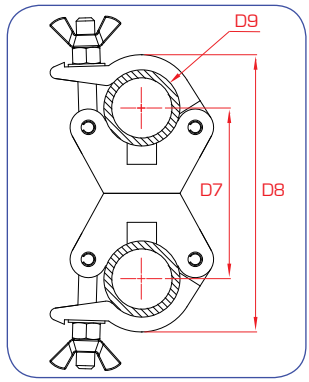
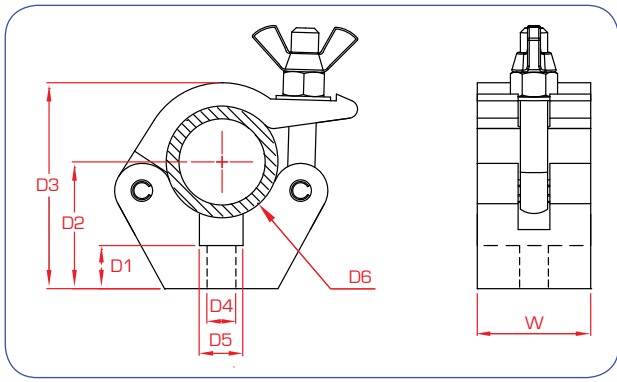
ST Slimline Coupler

SWL	750 Kg
D1	19mm
D2	55mm
D3	90mm
D4	Ø12.7mm
D5	19mm
D6	Ø48 - 51mm
W	30mm
Kg	0.41 Kg

ST Swivel Coupler

SWL	750 Kg
D7	110mm
D8	180mm
D9	Ø48 - 51mm
W	50mm
Kg	1.33 Kg

ST = Stainless Steel Fasteners



3 POINT RECEIVER

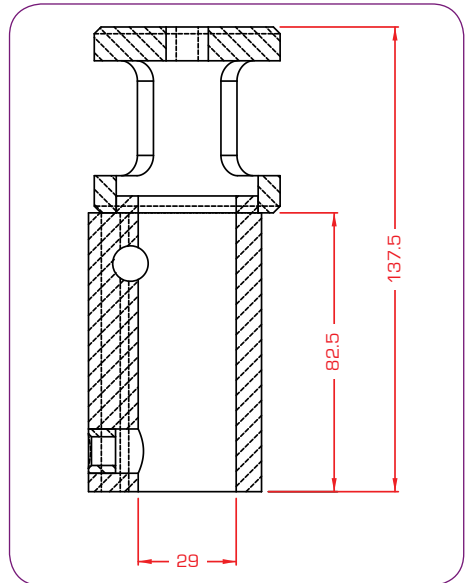
Manufactured from high tensile aluminium and designed with a leading TV/Grip supplier, the 3 Point Receiver has been carefully designed to incorporate the following three safety points:

1. A 6mm diameter pin designed to take the initial load quickly and safely
2. Our standard sword pin which allows 360° rotation
3. A Doughty® knob which enables the luminaire to be locked at a chosen point of rotation

T84300 - Black

T84310 - Silver

SWL 100 Kg



The 3 Point Receiver has a SWL of 100 Kg and accepts 28mm [1-1/8"] Spigots of either Euro or Din spec. This receiver can be factory fitted to the majority of our aluminium clamp range and also be fitted to pantographs on request.

There is a 12mm mounting hole for use with clamps and two 6mm holes for other applications. Receivers can be fitted by an authorised service agent.

The 3 Point Receiver is also a key part of our Studio Rail System.

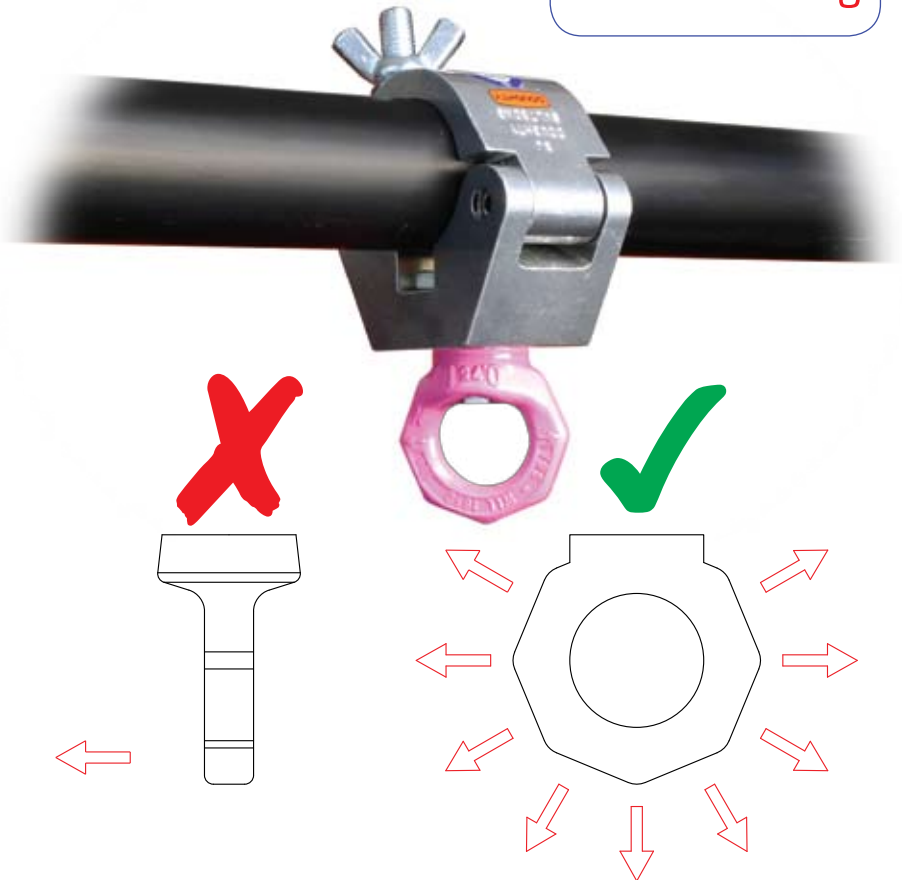
Available either powder painted black or as polished aluminium.

PINK EYES

The Pink Eye is an articulating M12 Eye Nut with a SWL of 750 Kg, manufactured with forged material 1.6541, high tensile and annealed. 100% electromagnetic crack detected according to EN 1677-1. Unlike standard eye nut to DIN 582, this eye nut can be used for most unfavourable load directions. These eye nuts can be used with any clamp from the Doughty® range which accepts M12 fixings and should be mounted with a 10.9 graded bolt.

T42307 - Pink Eye

SWL 750 Kg

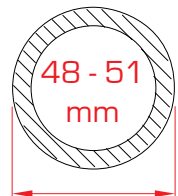


SLIMLINE DOUGHTY® CLAMPS

The Slimline range of Doughty® Clamps carry all the same features of the standard Doughty® clamp range. This range is 30mm wide to allow the clamps to be used between truss webs etc. The standard clamp is slotted capturing an M12 nut or bolt head. This clamp has been TÜV tested and approved with a SWL of 750 Kg.

Main features:

- SWL 750 Kg
- TÜV approval
- Captive M12 bolt
- Fits 48 - 51mm diameter tubes
- High tensile aluminium

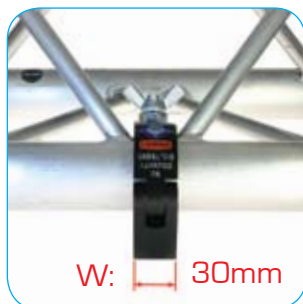




T57001



T58010



W: 30mm



T57011



T58011



T58014 - Silver
T58015 - Black

Slimline Standard

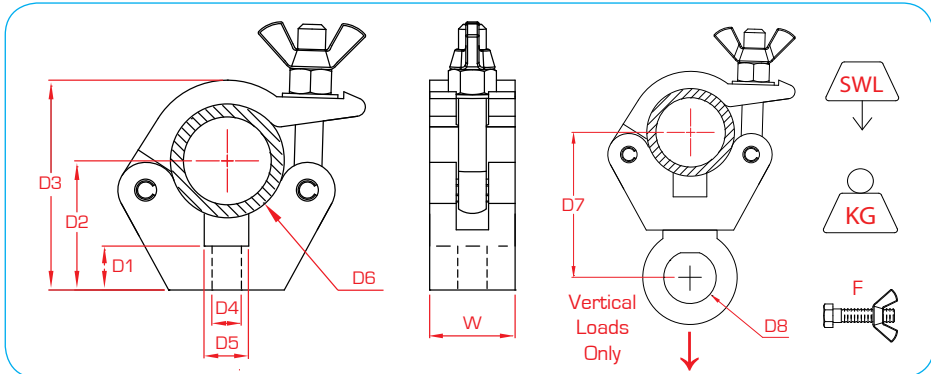
SWL	750 Kg
D1	19mm
D2	55mm
D3	90mm
D4	Ø12.7mm
D5	19mm
D6	Ø48 - 51mm
W	30mm
Kg	0.41 Kg

Slimline Hook Clamp

SWL	750 Kg
D1	19mm
D2	55mm
D3	90mm
D4	Ø12.7mm
D5	19mm
D6	Ø48 - 51mm
W	30mm
Kg	0.50 Kg
F	M12x50

Slimline Hanging Clamp

SWL	340 Kg
D7	82mm
D8	Ø30mm
W	30mm
Kg	0.61 Kg





T58030 - Silver
T58031 - Black



T58026



T58018 - Euro Spec
T58022 - Din Spec

Slimline Swivel Coupler

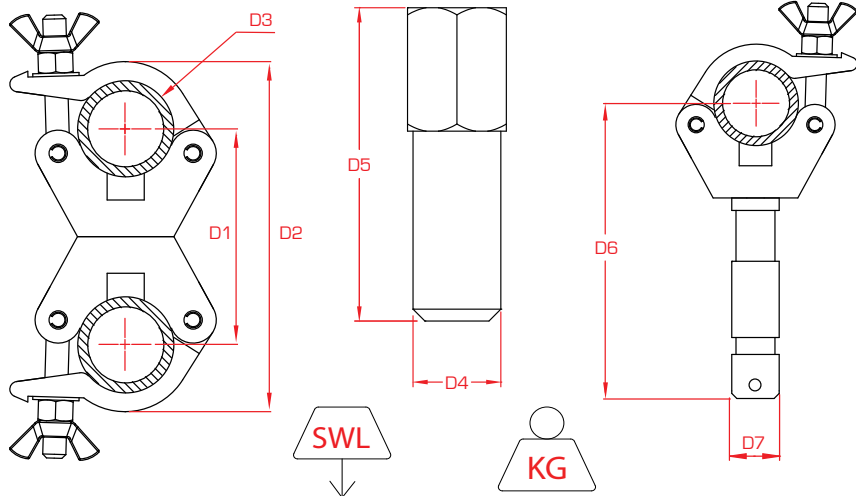
SWL	750 Kg
D1	110mm
D2	180mm
D3	Ø48 - 51mm
W	30mm
Kg	0.89 Kg

Slimline Little Tom

SWL	N/A
D6	121mm
D5	66mm
D4	Ø19mm
W	30mm
Kg	0.44 Kg

Slimline Big Ben

SWL	200 Kg
D6	170mm
D7	Ø28mm
W	30mm
Kg	0.48 Kg

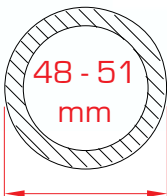


LIGHTWEIGHT CLAMPS

Lightweight Doughty® Clamps are constructed from high tensile aluminium extrusion and have been developed for installations where load capacities of up to 500 Kg are required. Designed to fit tubes with diameters of 48 - 51 mm, these clamps are slotted to hold captive an M12 hexagon nut or bolt head. The lightweight half coupler has been TÜV tested and certified with a SWL and TÜV approval of 500 Kg. Slimline versions of this range are also available.

Main features:

- SWL 500 Kg
- TÜV approval
- Captive M12 bolt
- Fits 48 - 51 mm diameter tubes
- High tensile aluminium
- Available in polished aluminium or black powder paint





T58100



T58105



T58107 - Euro - Silver
T58108 - Din - Silver



T58101



T58106

LW Big Ben

SWL	200 Kg
H1	151mm
H2	Ø28mm
KG	0.63 Kg

LW Half Coupler

SWL	500 Kg
D1	7mm
D2	40mm
D3	70mm
D4	Ø12.7mm
D5	17 & 19mm
D6	35mm
D7	Ø48 - 51mm
W	50mm
Kg	0.34 Kg

LW Hook Clamp

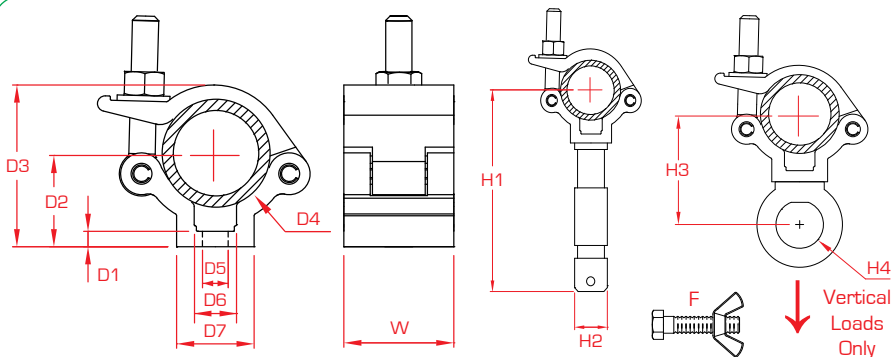
SWL	500 Kg
D1	7mm
D2	40mm
D4	Ø12.7mm
D5	17 & 19mm
D6	35mm
D7	Ø48 - 51mm
W	50mm
Kg	0.34 Kg
F	M12x50



T58109

LW Hanging Clamp

SWL	340 Kg
H3	67mm
H4	Ø30mm
Kg	0.44 Kg





T58110



T58115 - Silver
T58116 - Black



T58120 - Silver
T58121 - Black

LW 90° Fixed Coupler

SWL	500 Kg
D1	80mm
D2	140mm
D3	Ø48 - 51mm
W	50mm
Kg	0.76 Kg

LW Parallel Coupler

SWL	500 Kg
D1	80mm
D2	140mm
D3	Ø48 - 51mm
W	50mm
Kg	0.76 Kg

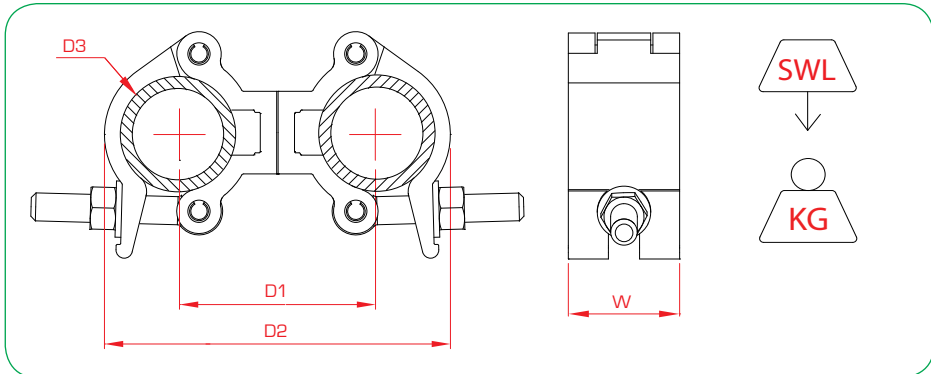
LW Swivel Coupler

SWL	500 Kg
D1	80mm
D2	140mm
D3	Ø48 - 51mm
W	50mm
Kg	0.76 Kg

Maximum Torque
30 N-m
22 lb-ft

⊘ Tube Diameters
48 - 51mm

LW =
Lightweight

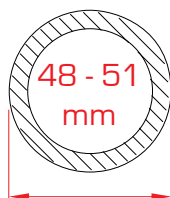


SLIMLINE LIGHTWEIGHT CLAMPS

Slimline Lightweight Doughty® Clamps carry the same quality features of the standard lightweight range. The width of the slimline range is 30mm allowing these clamps to be used between truss webs etc.

Main features:

- SWL 300 Kg
- TÜV approval
- Captive M12 bolt
- Fits 48 - 51 mm diameter tubes
- High tensile aluminium
- Available in polished aluminium or black powder paint





T58080



T58085



T58098 - Silver
T58099 - Black



T58081



T58086

S-line LW Swivel Coupler

SWL	300 Kg
W	30mm
KG	0.55 Kg



T58089

Slimline LW Half Coupler

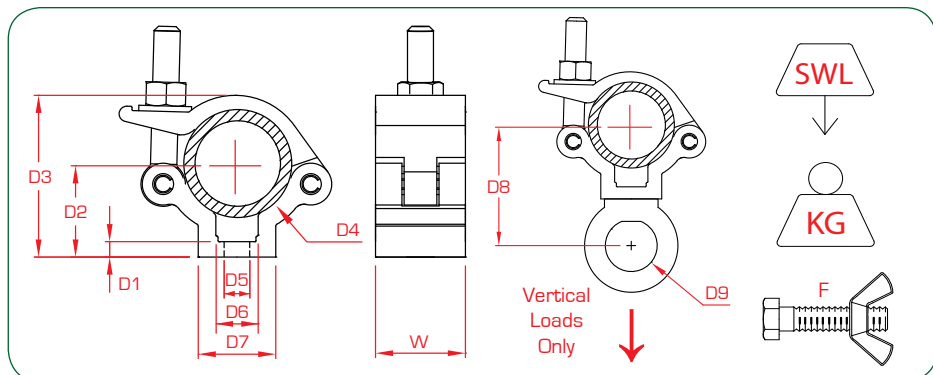
SWL	300 Kg
D1	7mm
D2	40mm
D3	70mm
D4	Ø48 - 51mm
D5	Ø12.7mm
D6	17 & 19mm
D7	35mm
W	30mm
Kg	0.24 Kg

Slimline LW Hook Clamp

SWL	300 Kg
D1	7mm
D2	40mm
D4	Ø48 - 51mm
D5	Ø12.7mm
D6	17 & 19mm
D7	35mm
W	30mm
Kg	0.32 Kg
F	M12x50

S-line LW Hanging Clamp

SWL	300 Kg
D8	67mm
D9	Ø30mm
W	30mm
Kg	0.34 Kg



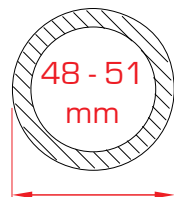
SUPER LIGHTWEIGHT CLAMPS

Super Lightweight Doughty® Clamps are constructed from high tensile aluminium extrusions designed to fit bars with diameters between 48 - 51mm and are slotted to hold captive an M10 nut or bolt head.

The clamps have a slimline profile of 32mm and a SWL and TÜV approval of 75 Kg.

Main features:


- SWL 75 Kg
- TÜV approval
- Captive M10 bolt
- Fits 48 - 51mm diameter tubes
- High tensile aluminium
- Available in polished aluminium or black powder paint





T58122

**SLW =
Super
Lightweight**

 Tube Diameters
48 - 51mm



T58124 - Silver
T5812401 - Black

SLW Hanging Clamp

SWL	75 Kg
H3	60mm
H4	Ø25mm
Kg	0.28 Kg



T5812201



T58123 - Silver
T5812301 - Black



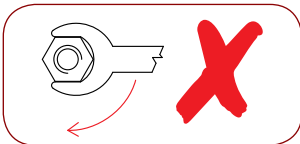
T58125

SLW Hook Clamp

SWL	75 Kg
D1	4.30mm
D2	36mm
D3	Ø10mm
D4	17mm
D5	30mm
D6	Ø48 - 51mm
W	30mm
Kg	0.18 Kg
F	M10x30

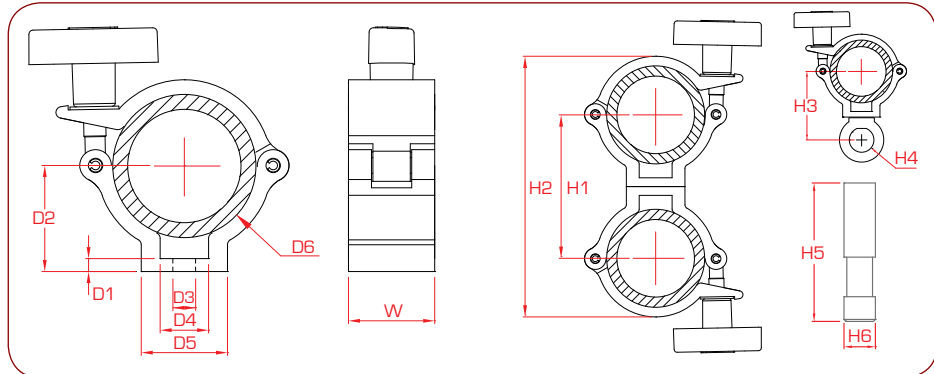
SLW Swivel Coupler

SWL	75 Kg
H1	72mm
H2	120mm
D6	Ø48 - 51mm
W	30mm
Kg	0.40 Kg



SLW Bearer

SWL	75 Kg
H5	70mm
H6	Ø16mm
W	30mm
Kg	0.28 Kg



ATOM CLAMPS

Atom Clamps are the smallest of the Doughty® Clamp range of extruded aluminium couplers and are slotted to hold captive a nut or bolt head. These small clamps have a SWL and of 100 Kg and are ideal for shop displays, film lighting etc. Atom clamps will fit tubes with exterior diameters ranging from 25 - 38mm and are suitable for use not only for lightweight trusses, but also the centre tubes on most varieties of stands.

Main features:



- SWL 100 Kg
- TÜV approval (32mm only)
- Captive bolt
- Fits 25, 32 & 38mm diameter tubes
- High tensile aluminium
- Available in polished aluminium or black powder paint





- T58870 - 25mm Silver
-  T58800 - 32mm Silver
- T58970 - 38mm Silver
- T5887001 - 25mm Black
-  T5880001 - 32mm Black
- T5897001 - 38mm Black



- T58887 - 25mm Silver
- T58830 - 32mm Silver
- T58997 - 38mm Silver
- T5888701 - 25mm Black
- T5883001 - 32mm Black
- T5899701 - 38mm Black



- T58890 - 25mm Silver
- T58840 - 32mm Silver
- T58990 - 38mm Silver
- T5889001 - 25mm Black
- T5884001 - 32mm Black
- T5899001 - 38mm Black

Atom Half Coupler

Ø25mm

SWL	100 Kg
D1	5mm
D2	21mm
D3	41mm
D4	Ø6mm
D5	10mm
D6	20mm
W	21mm
F	M6x30

Atom Hook Clamp

Ø32mm

SWL	100 Kg
D1	5mm
D2	28mm
D3	48mm
D4	Ø6mm
D5	10mm
D6	30mm
W	30mm
F	M6x30

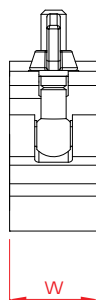
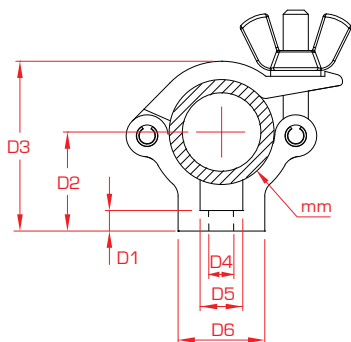
Atom Hanging Clamp

Ø38mm

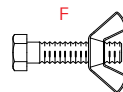
SWL	100 Kg
D1	5mm
D2	36mm
D3	55mm
D4	Ø10mm
D5	17mm
D6	30mm
W	30mm
F	M10x30



Atom



F





T58885 - 25mm Silver
 T58820 - 32mm Silver
 T58985 - 38mm Silver
 T5888501 - 25mm Black
 T5882001 - 32mm Black
 T5898501 - 38mm Black



T58880 - 25mm Silver
 T58815 - 32mm Silver
 T58980 - 38mm Silver
 T5888001 - 25mm Black
 T5881501 - 32mm Black
 T5898001 - 38mm Black



T58875 - 25mm Silver
 T58810 - 32mm Silver
 T58975 - 38mm Silver
 T5887501 - 25mm Black
 T5881001 - 32mm Black
 T5897501 - 38mm Black

Atom 90° Fixed Coupler

Ø25mm

SWL	100 Kg
D1	42mm
D2	82mm
W	21mm

Atom Parallel Coupler

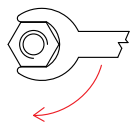
Ø32mm

SWL	100 Kg
D1	56mm
D2	96mm
W	30mm

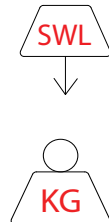
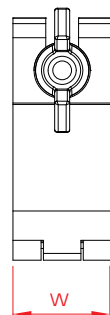
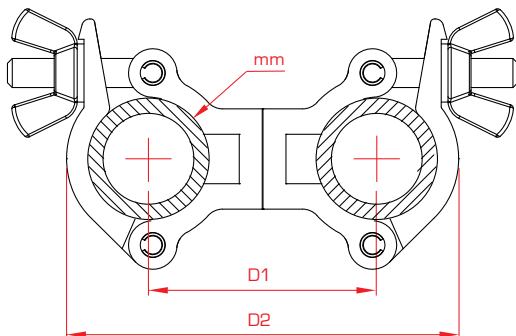
Atom Swivel Coupler

Ø38mm

SWL	100 Kg
D1	72mm
D2	110mm
W	30mm



Tube Diameters
 25mm, 32mm & 38mm





T58892 - 25mm Silver
 T58850 - 32mm Silver
 T58992 - 38mm Silver
 T5889201 - 25mm Black
 T5885001 - 32mm Black
 T5899201 - 38mm Black



T58894 - 25mm Silver
 T58855 - 32mm Silver
 T58994 - 38mm Silver
 T5889401 - 25mm Black
 T5885501 - 32mm Black
 T5899401 - 38mm Black



T58896 - 25mm Silver
 T58856 - 32mm Silver
 T58996 - 38mm Silver
 T5889601 - 25mm Black
 T5885601 - 32mm Black
 T5899601 - 38mm Black

Atom Snapper

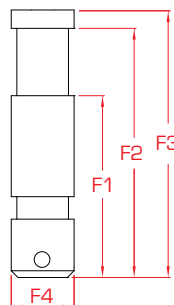
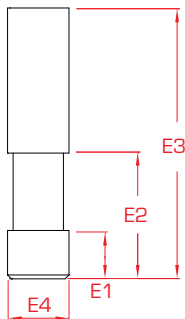
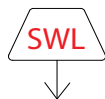
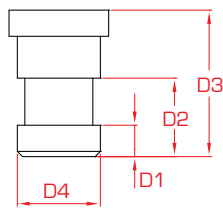
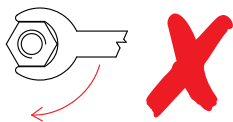
SWL	100 Kg
D1	6mm
D2	15mm
D3	28mm
D4	Ø19mm

Atom Beamer

SWL	100 Kg
E1	12.5mm
E2	32.5mm
E3	70mm
E4	Ø16mm

Atom Big Ben

SWL	100 Kg
F1	81mm
F2	111mm
F3	116mm
F4	Ø28mm

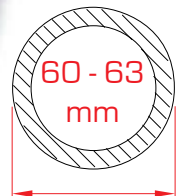
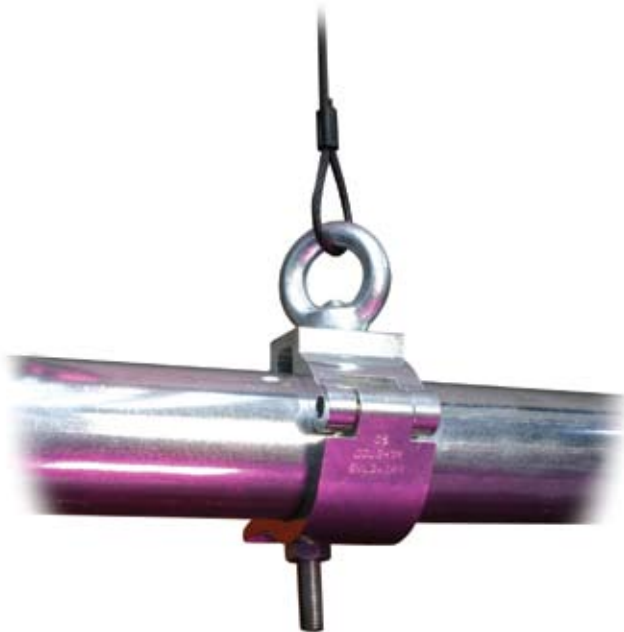


MAMMOTH CLAMPS

The Mammoth Clamp Range has been designed to fit tubes with a diameter of 60 - 63mm. The mammoth half coupler has been TÜV tested and certified for a SWL of 500 Kg. As with most other Doughty® couplers, the high tensile aluminium base is slotted to hold captive a nut or bolt head.

Main features:

- SWL 500 Kg
- TÜV approval
- Captive M12 bolt
- Fits 60 - 63mm diameter tubes
- High tensile aluminium
- Available in polished aluminium or black powder paint





T57400



T57410



T57450



T57401



T57411



T57451

Mammoth Half Coupler

SWL	500 Kg
D1	7mm
D2	47mm
D3	87mm
D4	Ø12.7mm
D5	17 & 19mm
D6	35mm
D7	Ø60 - 63mm
W	50mm
Kg	0.41 Kg

Mammoth Hook Clamp

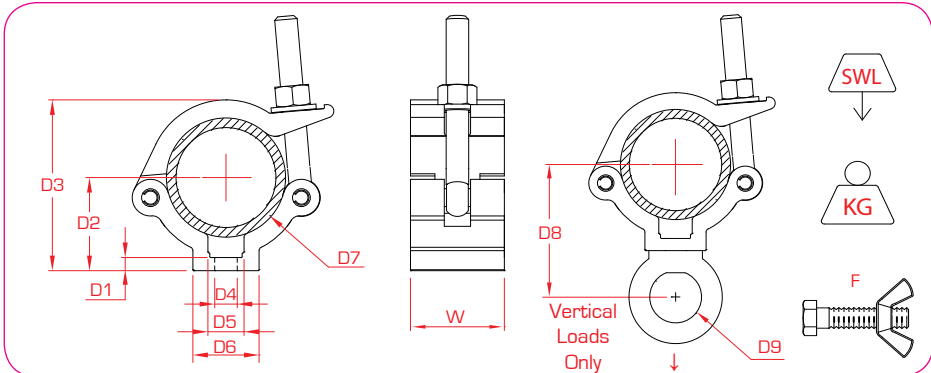
SWL	500 Kg
D1	7mm
D2	47mm
D3	87mm
D4	Ø12.7mm
D5	17 & 19mm
D7	Ø60 - 63mm
W	50mm
Kg	0.49 Kg
F	M12x50

Mammoth Hanging Clamp

SWL	340 Kg
D8	74mm
D9	Ø30mm
W	50mm
Kg	0.51 Kg
F	M12 Eye Nut



Tube Diameters
60 - 63mm





T57430 - Silver
T57431 - Black



T57420 - Silver
T57421 - Black



T57440 - Silver
T57441 - Black

Mammoth 90° Fixed

SWL	500 Kg
D1	94mm
D2	174mm
D3	Ø60 - 63mm
W	50mm
Kg	0.90 Kg

Mammoth Swivel Coupler

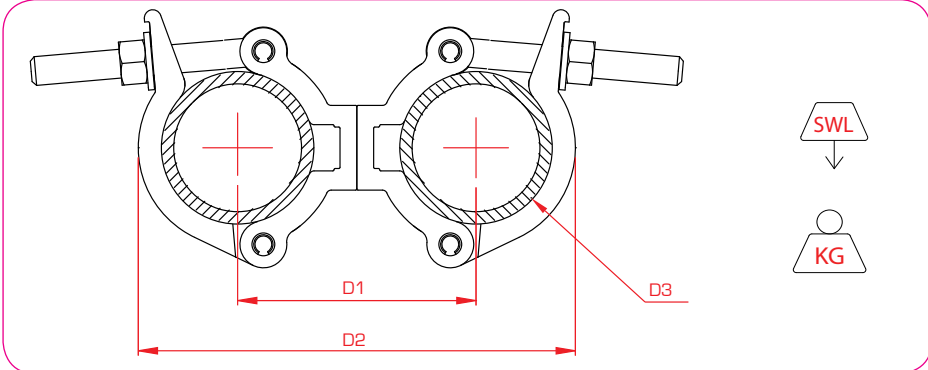
SWL	500 Kg
D1	94mm
D2	174mm
D3	Ø60 - 63mm
W	50mm
Kg	0.90 Kg

Mammoth Parallel Coupler

SWL	500 Kg
D1	94mm
D2	174mm
D3	Ø60 - 63mm
W	50mm
Kg	0.90 Kg

Maximum
Torque
30 N-m
22 lb-ft

Mammoth





T57405



T57415



T57455



T57406



T57416



T57456

Slimline Half Coupler

SWL	300 Kg
D1	7mm
D2	47mm
D3	87mm
D4	Ø12.7mm
D5	17 & 19mm
D6	35mm
D7	Ø60 - 63mm
W	30mm
Kg	0.41 Kg

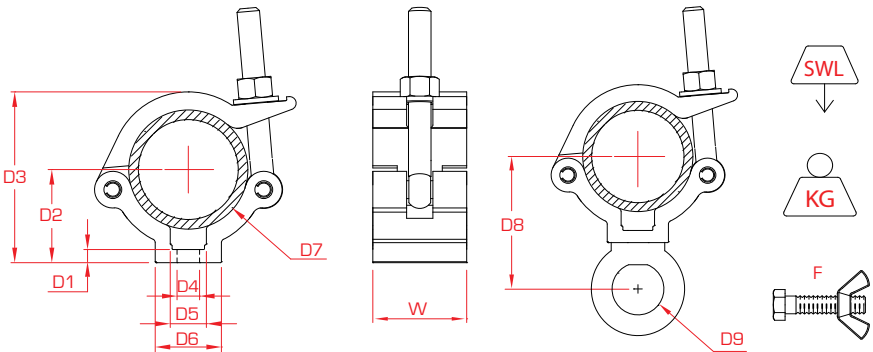
Slimline Hook Clamp

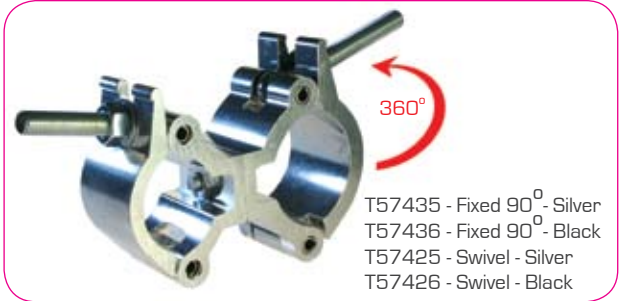
SWL	300 Kg
D1	7mm
D2	47mm
D3	87mm
D4	Ø12.7mm
D5	17 & 19mm
D7	Ø60 - 63mm
W	30mm
Kg	0.49 Kg
F	M12x50

Slimline Hanging Clamp

SWL	300 Kg
D8	74mm
D9	Ø30mm
W	30mm
Kg	0.51 Kg
F	M12 Eye Nut

Tube Diameters
60 - 63mm



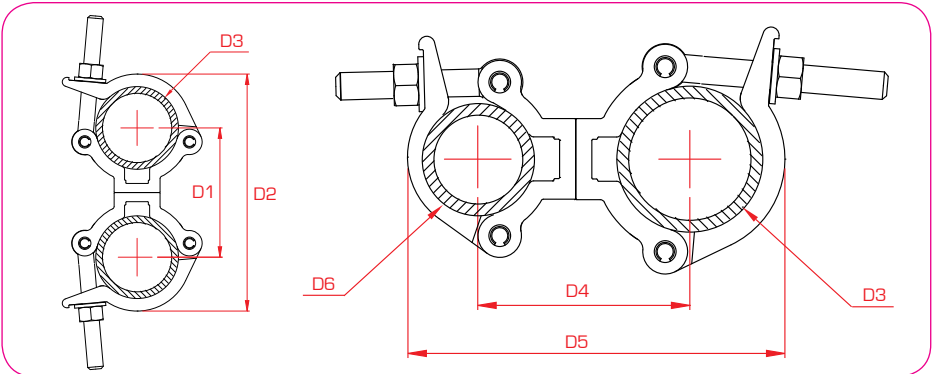
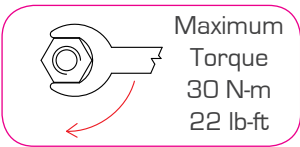


Slimline Swivel Coupler

SWL	300 Kg
D1	94mm
D2	174mm
D3	Ø60 - 63mm
W	50mm
Kg	0.90 Kg

Mammoth 60 to 50mm

SWL	300 Kg	D4	87mm
W	50mm	D5	157mm
Kg	0.90 Kg	D6	Ø48 - 51mm
		D7	Ø60 - 63mm



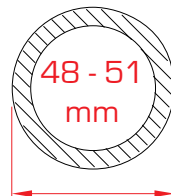
TRIGGER[®] CLAMPS

The Doughty Trigger[®] Clamp is constructed from high tensile aluminium extrusion making it not only lightweight, but extremely strong, with a safe working load and TÜV approval of 200 Kg.

Designed to allow one person to hang heavy luminaires and scanners, the weight of the object being hung becomes it's own safety factor by automatically closing the trigger and the bottom half of the clamp. This unique feature allows the luminaires to be easily positioned and securely 'locked off' using the large tee 'easygrip' handle.

Main features:

- SWL 200 Kg
- TÜV approval
- Captive M12 bolt
- Fits 48 - 51mm diameter tubes
- High tensile aluminium
- Available in polished aluminium or black powder paint





T58860



T58861



T58862



T58860



T5886101



T5886201

Basic Trigger® Clamp

SWL	200 Kg
D1	11mm
D2	86mm
D3	121mm
D4	Ø12.7mm
D5	19mm
D6	97mm
D7	Ø48 - 51mm
W	30mm
Kg	0.50 Kg

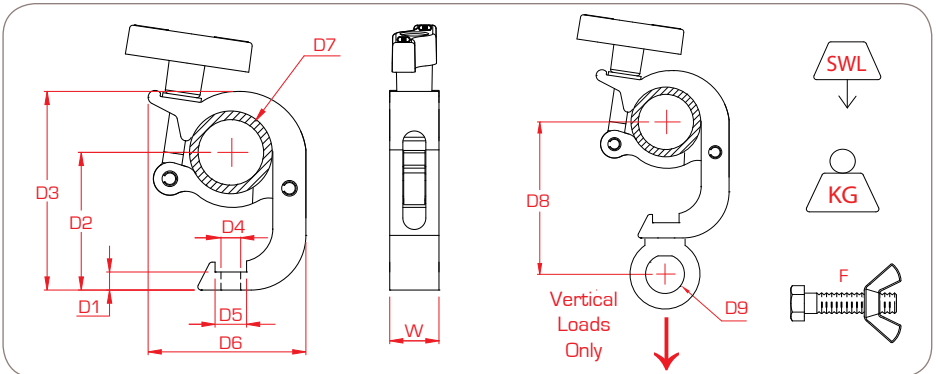
Trigger® Hook Clamp

SWL	200 Kg
D1	11mm
D2	86mm
D3	121mm
D4	Ø12.7mm
D5	19mm
D7	Ø48 - 51mm
W	30mm
Kg	0.58 Kg
F	M12x50

Trigger® Hanging Clamp

SWL	200 Kg
D8	113mm
D9	Ø30mm
W	30mm
Kg	0.71 Kg
F	M12 Eye Nut

Tube Diameters 48 - 51mm





T58865 - Din Spec
T58867 - Euro Spec



T58869 - Silver
T5886901 - Black



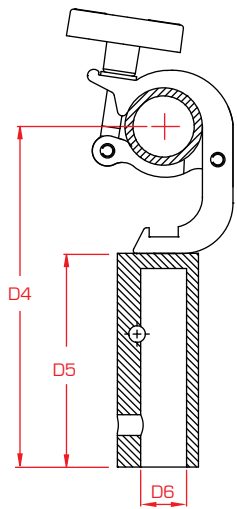
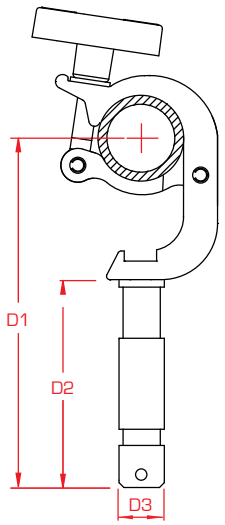
Trigger® Big Ben

SWL	200 Kg
D1	201mm
D2	115mm
D3	Ø28mm
Kg	0.73 Kg

Trigger® TV Clamp

SWL	200 Kg
D4	221mm
D5	135mm
D6	Ø29mm
Kg	1.09 Kg

Trigger®

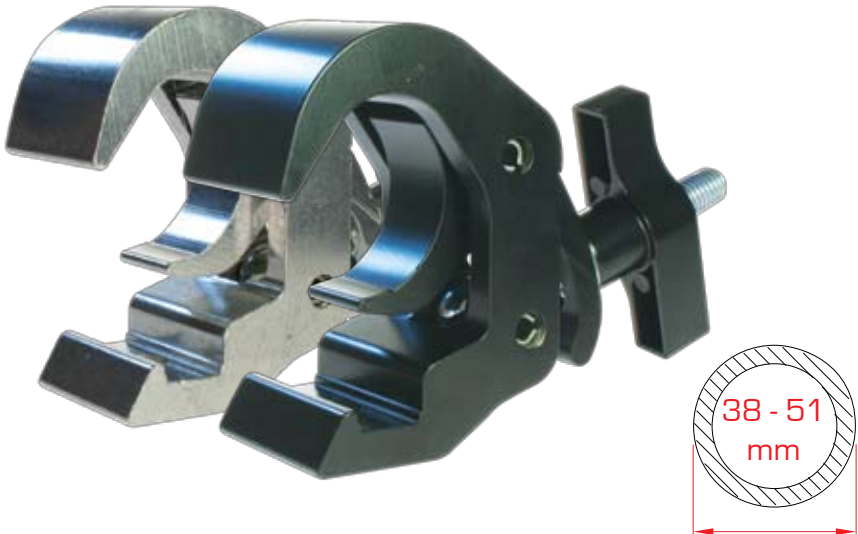


QUICK TRIGGER® CLAMPS

The design of the Doughty Quick Trigger® Clamp gives a high degree of safety by allowing one person to hang heavy luminaires and fixtures. The sprung loaded jaws stay open and automatically close with the weight of an object being hung, leaving both hands free to lift and position the load. The base of the clamp is slotted to hold either an M10 or M12 bolt head or nut captive without turning.

Main features:

- SWL 250 Kg
- TÜV approval
- Captive M12 bolt
- Fits 38 - 51 mm diameter tubes
- High tensile aluminium
- Available in polished aluminium or black powder paint





T58200



T58205



T58215



T58201



T58206



T58216

QTrigger® Basic

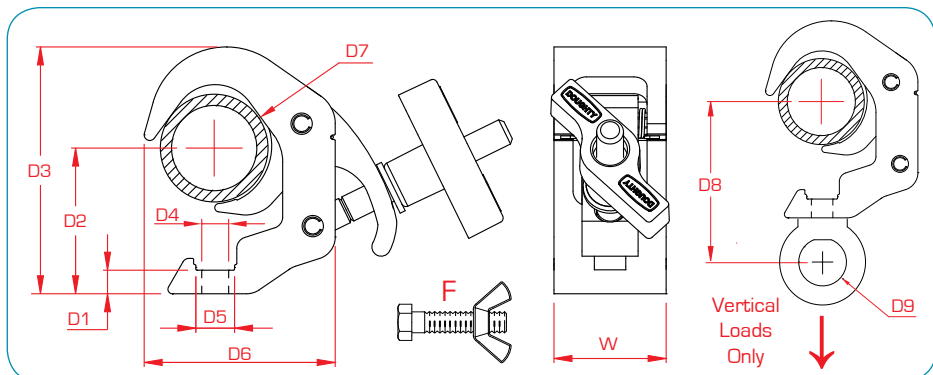
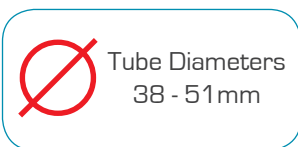
SWL	250 Kg
D1	11mm
D2	66mm
D3	110mm
D4	Ø12.7mm
D5	17 & 19mm
D6	85mm
D7	Ø38 - 51mm
W	50mm
Kg	0.76 Kg

QTrigger® Hook Clamp

SWL	250 Kg
D1	11mm
D2	66mm
D3	110mm
D4	Ø12.7mm
D5	17 & 19mm
D7	Ø38 - 51mm
W	50mm
Kg	0.84 Kg
F	M12x50

QTrigger® Hanging Clamp

SWL	250 Kg
D8	117mm
D9	Ø30mm
W	50mm
Kg	0.97 Kg
F	M12 Eye Nut

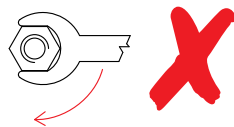




T58231 - Din Spec - Silver
 T58232 - Euro Spec - Silver
 T58233 - Euro Spec - Black
 T58234 - Din Spec - Black



T58240 - Silver
 T58241 - Black



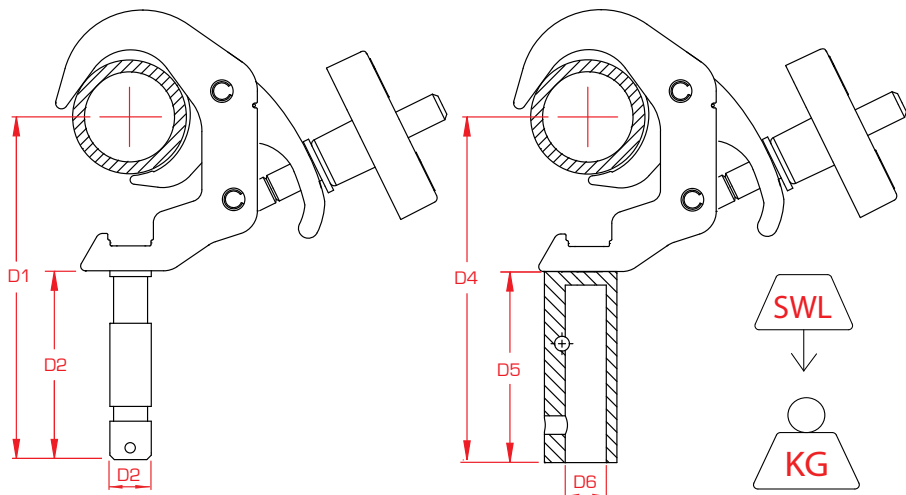
QTrigger® Big Ben

SWL	200 Kg
D1	181mm
D2	115mm
D3	Ø28mm
Kg	0.89 Kg

QTrigger® TV Clamp

SWL	200 Kg
D4	201mm
D5	135mm
D6	Ø29mm
Kg	1.16 Kg

QTrigger® =
 Quick Trigger®





T58300



T58305



T58315



T58301



T58306



T58316

Slimline QT Basic

SWL:	100 Kg
D1	11mm
D2	66mm
D3	110mm
D4	Ø12.7mm
D5	17 & 19mm
D6	85mm
D7	Ø38 - 51mm
W	30mm
Kg	0.49 Kg

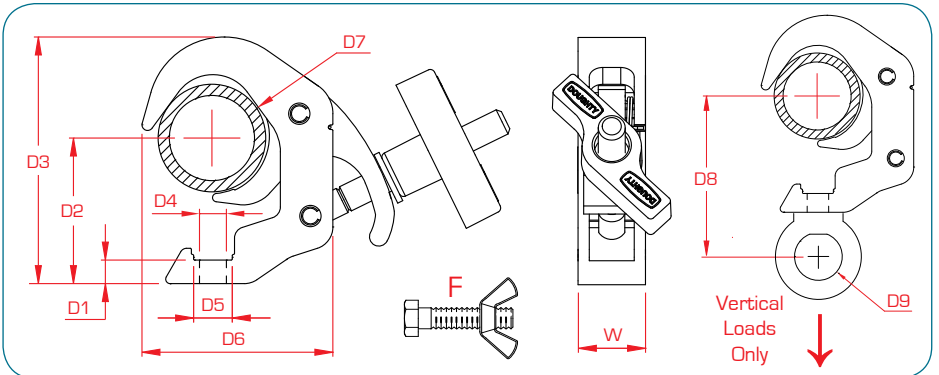
Slimline QT Hook Clamp

SWL	100 Kg
D1	11mm
D2	66mm
D3	110mm
D4	Ø12.7mm
D5	17 & 19mm
D7	Ø38 - 51mm
W	30mm
Kg	0.57 Kg
F	M12x50

Slimline QT Hanging Clamp

SWL	100 Kg
D8	117mm
D9	Ø30mm
W	30mm
Kg	0.70 Kg
F	M12 Eye Nut

Tube Diameters 38 - 51mm

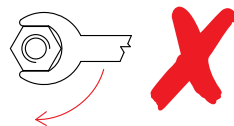




T58331 - Din Spec - Silver
 T58332 - Euro Spec - Silver
 T58333 - Euro Spec - Black
 T58334 - Din Spec - Black



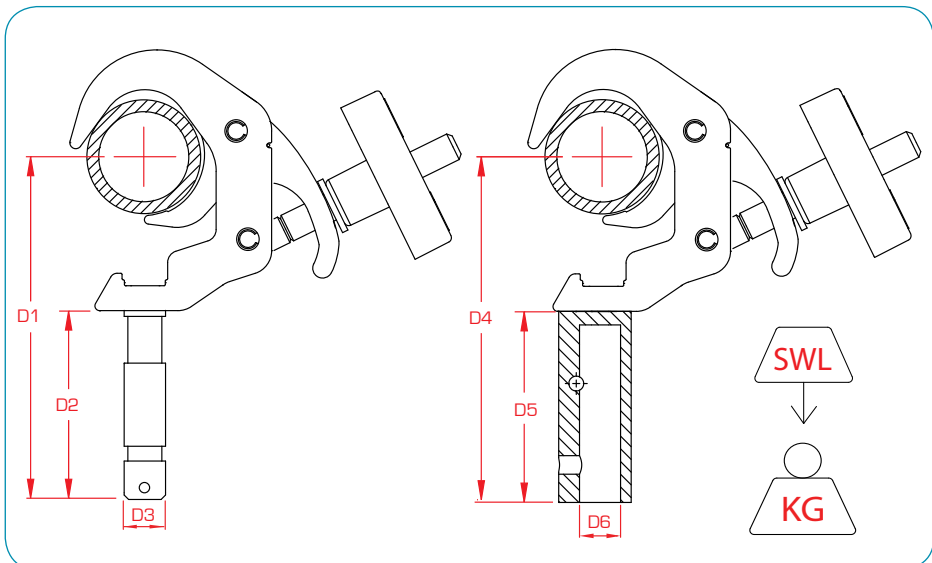
T58340 - Silver
 T58341 - Black



Slimline QT =
 Slimline
 Quick Trigger®

Slimline QT Big Ben	
SWL	100 Kg
D1	136mm
D2	70mm
D3	Ø28mm
Kg	0.57 Kg

Slimline QT TV Clamp	
SWL	100 Kg
D4	201 mm
D5	135 mm
D6	Ø29 mm
Kg	0.62 Kg



TITAN QUICK TRIGGER® CLAMPS

The Titan Quick Trigger® range of clamps has been designed to fit tubes with larger diameters between 48 & 80mm. This is the largest clamp in our range manufactured from high tensile aluminium.

Main features:

- SWL 100 Kg
- TÜV approval
- Captive M12 bolt
- Fits 48 - 80mm diameter tubes
- High tensile aluminium
- Available in polished aluminium or black powder paint





T58500



T58505



T58515



T58501



T58506



T58516

Titan Trigger® Basic

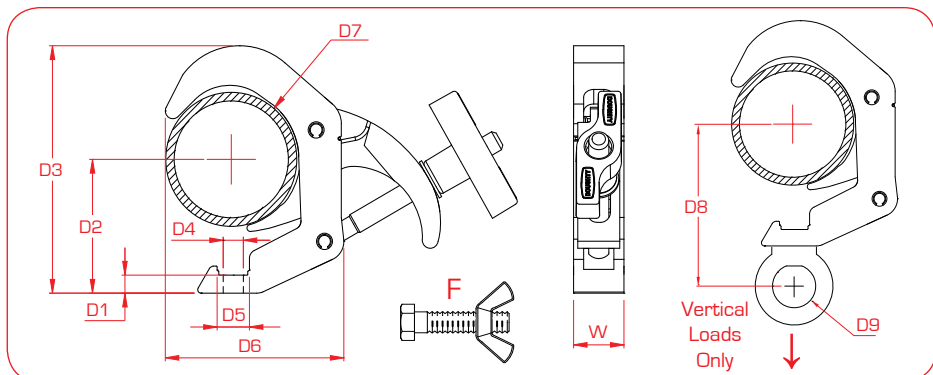
SWL	100 Kg
D1	11mm
D2	78mm
D3	144mm
D4	Ø12.7mm
D5	17 & 19mm
D6	106mm
D7	Ø48 - 80mm
W	30mm
Kg	0.69 Kg

Titan Hook Clamp

SWL	100 Kg
D1	11mm
D2	78mm
D3	144mm
D4	Ø12.7mm
D5	17 & 19mm
D7	Ø48 - 80mm
W	30mm
Kg	0.77 Kg
F	M12x50

Titan Hanging Clamp

SWL	100 Kg
D8	105mm
D9	Ø30mm
W	30mm
Kg	0.88 Kg
F	M12 Eye Nut





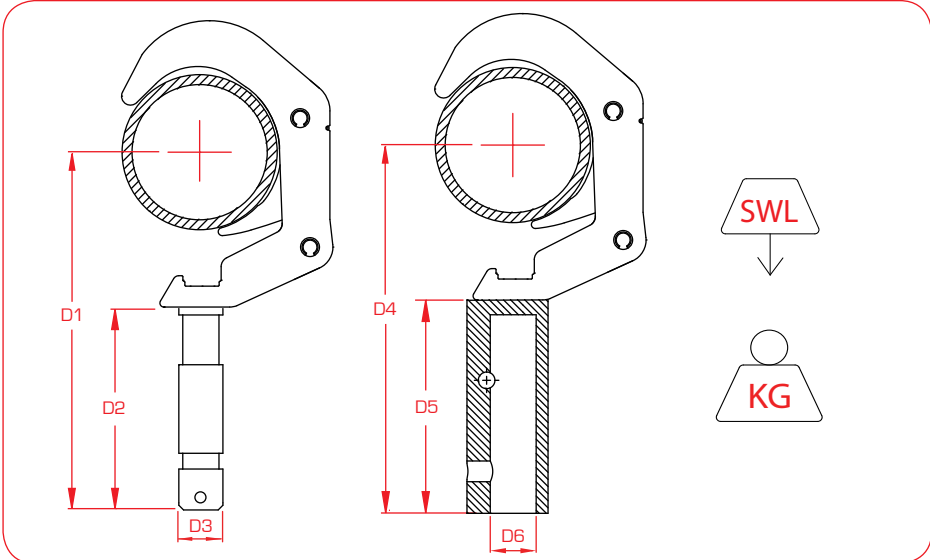
T58531 - Din Spec - Silver
 T58532 - Euro Spec - Silver
 T58533 - Din Spec - Black
 T58534 - Euro Spec - Black



T58540 - Silver
 T58541 - Black

Titan Big Ben	
SWL	100 Kg
D1	148mm
D2	70mm
D3	Ø28mm
Kg	0.90 Kg

Titan TV Clamp	
SWL	100 Kg
D4	213mm
D5	135mm
D6	Ø29mm
Kg	1.24 Kg



SPECIALITY COUPLERS

The speciality coupler range is a comprehensive range of clamps allowing the end user to overcome almost any tricky rigging situation.

Side Entry Clamps can be used to create cross braces where a firm fixing is required and a claw clamp is not appropriate. Ideal for flying equipment in positions where a standard coupler cannot be closed.

Barrel Socket Clamps are typically used for instruments or luminaires with a 16 or 29mm pin fitted.

Panel Clamps can be used to secure panels or shelves and are particularly useful in the exhibition industry.

Locking Elbows have been specifically designed for use in the manufacture of folding trusses although they are proving useful in a multitude of different applications. (requires welding).

Claw Clamps are a range of snap on fixing clamps suitable for light duty bracing and outriggers. (requires welding).

Finial Couplers are used to construct a swivelling joint on braces etc. (requires welding).

Pivot Hinges provide a firm fixing between adjacent bars whilst allowing 360° rotation and 180° of lateral movement. (requires welding).

Knuckle Joints create an articulating joint between two tubes. (requires welding).

Stabiliser Couplers generally used in brace construction. (requires welding).



T58780 - Silver
T58782 - Black



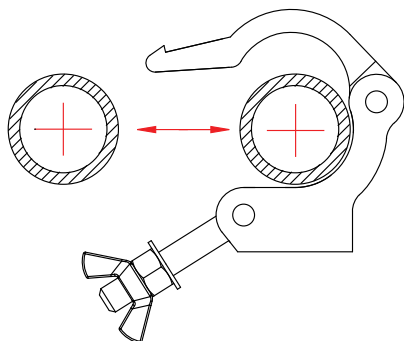
T58781 - Silver
T58783 - Black

Side Entry Clamps

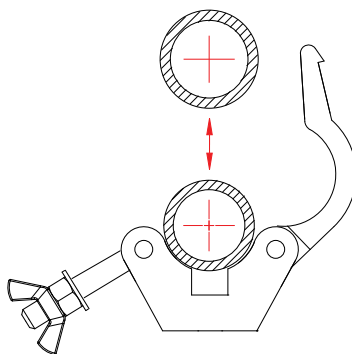
SWL	750 Kg
D1	Ø12.7mm
D2	50mm
D3	Ø48 - 51mm
D4	53mm
W2	50mm
Kg	0.56 Kg

Slimline Side Entry Clamps

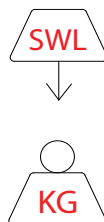
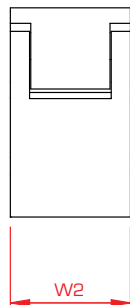
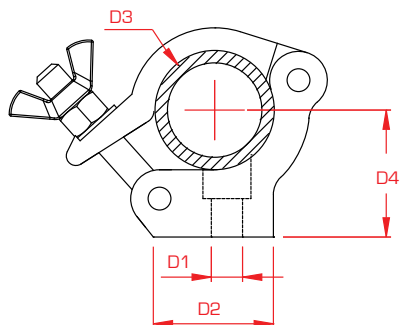
SWL	750 Kg
D1	Ø12.7mm
D2	50mm
D3	Ø48 - 51mm
D4	53mm
W1	30mm
Kg	0.36 Kg



SIDE ENTRY CLAMP



STANDARD CLAMP





G1115 - Silver
G111501 - Black



Barrel Socket Clamp

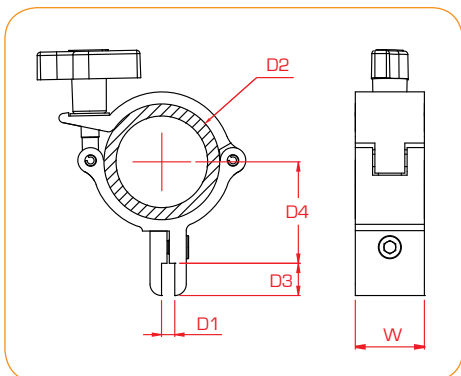
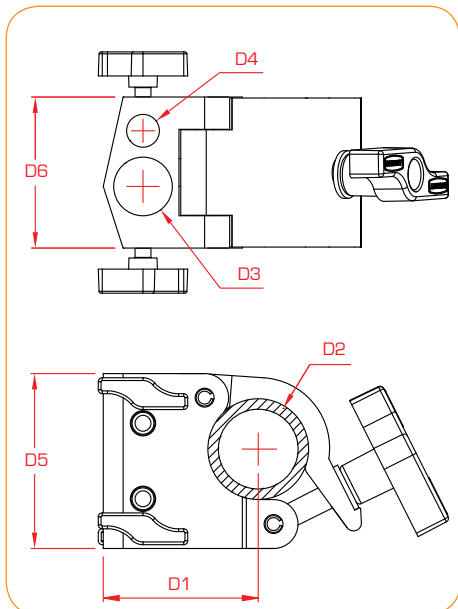
SWL	250 Kg
D1	78mm
D2	Ø48 - 51mm
D3	Ø29mm
D4	Ø16.5mm
D5	88mm
D6	76mm
Kg	0.93 Kg



T58130 - Silver
T5813001 - Black

Panel Clamp

SWL	N/A
D1	5 - 10mm
D2	Ø48 - 51mm
D3	14mm
D4	44mm
W	30mm
Kg	0.16 Kg





T58790 - 47mm
 T58791 - 45mm
 T58792 - 41.5mm
 T58793 - 39.5mm



T58795



T58756 - Ø48 mm x 47mm
 T58757 - Ø48 mm x 44mm
 T58758 - Ø48 mm x 41.5mm
 T58759 - Ø48 mm x 39.5mm
 T58760 - Ø50 mm x 47mm
 T58761 - Ø50 mm x 44mm
 T58762 - Ø50 mm x 41.5mm
 T58763 - Ø50 mm x 39.5mm

Locking Elbows

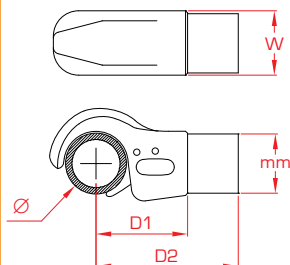
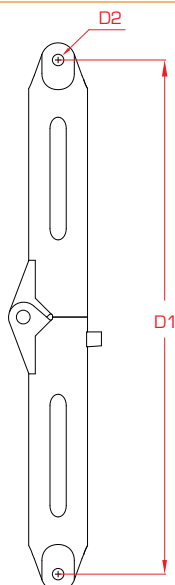
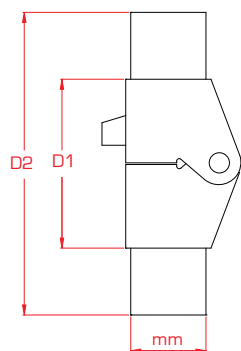
D1	100mm
D2	180mm
Kg	0.72 Kg

Locking Elbow Assy

D1	450mm
D2	Ø10mm
Kg	1.60 Kg

Claw Clamps

D1	72mm
D2	112mm
W	50mm
Kg	0.39 Kg





T58735 - Swivelling 47mm
 T58736 - Swivelling 45mm
 T58738 - Swivelling 41.4mm
 T58739 - Swivelling 39.5mm

T58740 - Fixed 47mm
 T58741 - Fixed 45mm
 T58743 - Fixed 41.4mm
 T58744 - Fixed 39.5mm



T57249



T57250



T58750 - 47mm
 T58751 - 45mm
 T58753 - 41.4mm
 T58754 - 39.5mm

Finial Coupler

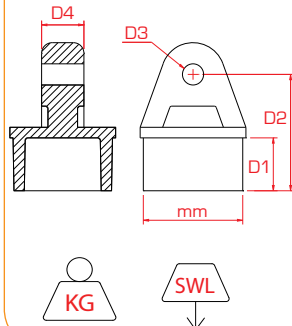
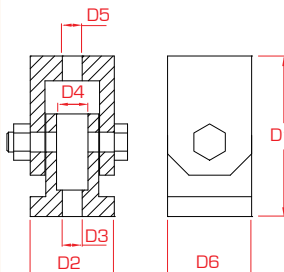
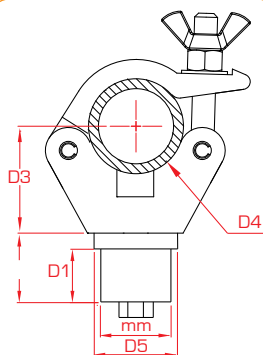
D1	19mm
D2	55mm
D3	90mm
D4	Ø12mm
D5	Ø48 - 51mm
W	50mm
Kg	0.86 Kg

Pivot Hinge

D1	97mm
D2	50mm
D3	Ø12mm
D4	Ø19mm
D5	Ø12mm
D6	50mm
Kg	0.79 Kg Hinge Only
Kg	1.96 Kg with Clamps

Pivot Plug

D1	25mm
D2	55mm
D3	Ø10mm
D4	20mm
Kg	0.16 Kg





T58745 - 47mm
 T58746 - 45mm
 T58748 - 41.4mm
 T58749 - 39.5mm



T58730 - 47mm
 T58731 - 45mm
 T58733 - 41.4mm
 T58734 - 39.5mm



T58720 - Clamp Only
 T58725 - 47mm
 T58726 - 45mm
 T58728 - 41.4mm
 T58729 - 39.5mm

Foot Casting

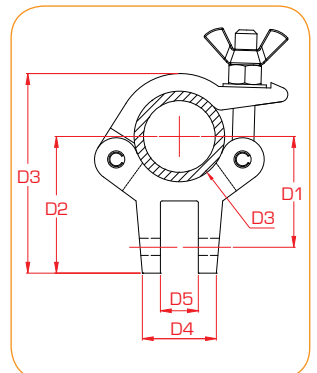
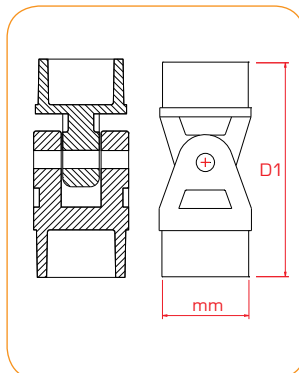
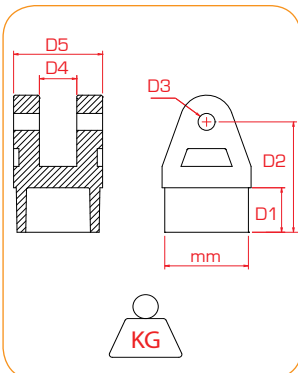
D1	25mm
D2	62mm
D3	∅10mm
D4	21mm
D5	50mm
Kg	0.16 Kg

Knuckle Joint

D1	117mm
KG	0.35 Kg

Stabiliser Coupler

D1	61mm	
D2	75mm	
D3	110mm	
D4	41mm	
D5	21mm	
D6	∅48 - 51mm	
W	50mm	
Kg	0.55 Kg	Clamp only
Kg	0.67 Kg	with Plug

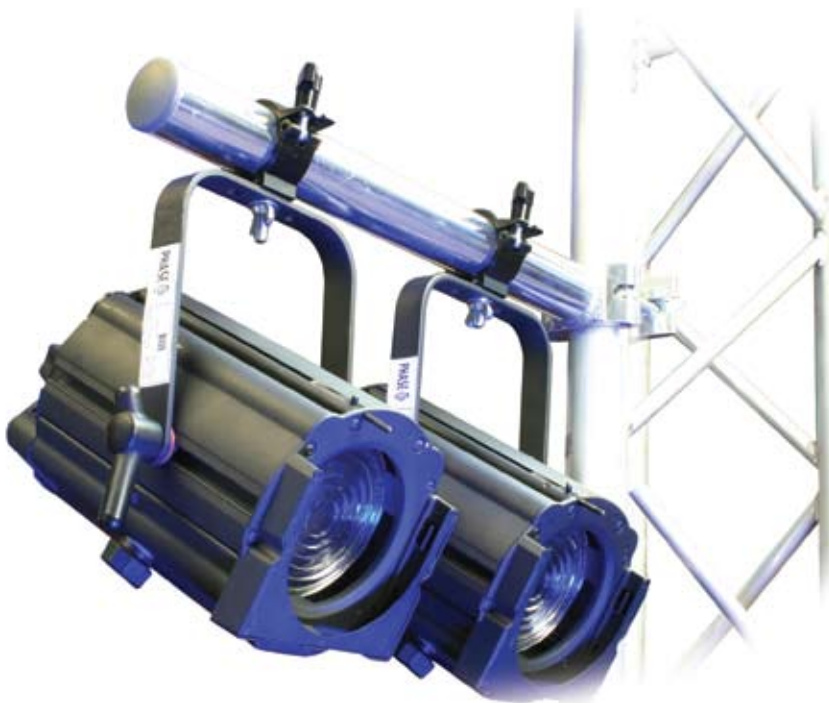
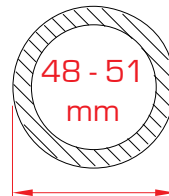


PIPE TO PIPE COUPLERS & BOOM ARMS

Doughty® Engineering manufacture a large range of aluminium Boom Arms and Pipe to Pipe Couplers. Designed to fit 48 -51mm tubes, these products are ideally suited to work with aluminium trusses and standard scaffold type bars. New for 2009 is our braced boom arm for heavy loads such as moving heads etc.

Main features:

- Fits 48 - 51mm diameter tubes
- High tensile aluminium
- Special lengths available on request

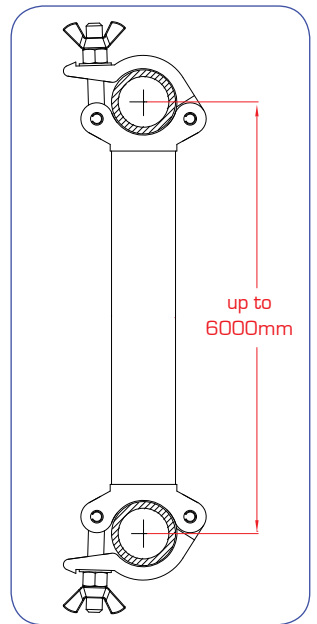




T57340 - 250mm ctrs
 T57345 - 500mm ctrs
 T57350 - 750mm ctrs
 T57355 - 1000mm ctrs



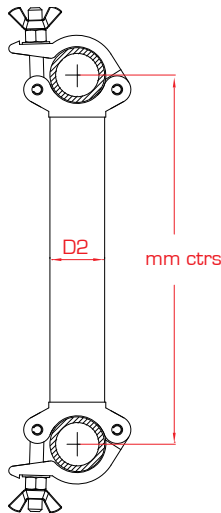
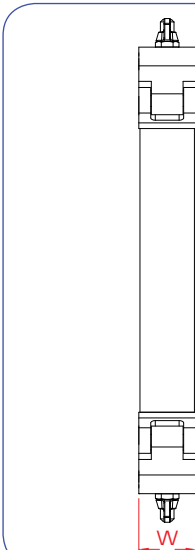
T57360 - 250mm ctrs
 T57365 - 500mm ctrs
 T57370 - 750mm ctrs
 T57375 - 1000mm ctrs



Parallel Pipe to Pipe	
SWL	200 Kg
D1	Ø48 - 51mm
D2	48mm
W	50mm
Kg	See Below

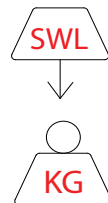
90° Pipe to Pipe	
SWL	200 Kg
D1	Ø48 - 51mm
D2	48mm
W	50mm
Kg	See Below

Special Lengths
Contact
sales@doughty-engineering.co.uk



T57340 - 1.25 Kg
 T57345 - 1.70 Kg
 T57350 - 2.06 Kg
 T57355 - 2.50 Kg

T57360 - 1.25 Kg
 T57365 - 1.70 Kg
 T57370 - 2.06 Kg
 T57375 - 2.50 Kg



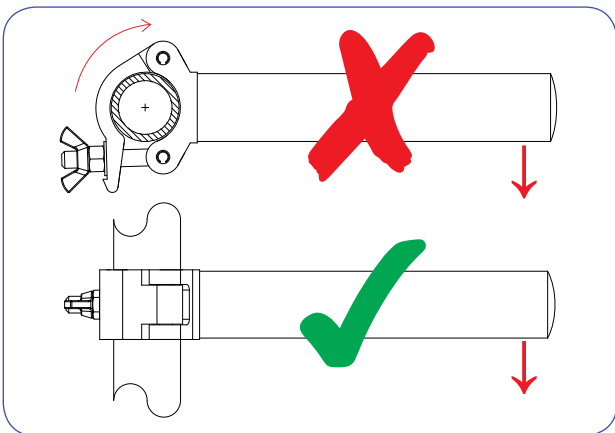


T57310 - Silver - 250 mm
 T57315 - Silver - 500 mm
 T57317 - Silver - 750 mm
 T57320 - Silver - 1000 mm



T57311 - Black - 250 mm
 T57316 - Black - 500 mm
 T57318 - Black - 750 mm
 T57321 - Black - 1000 mm

Boom Arms		
SWL	250mm	100 Kg
SWL	500mm	50 Kg
SWL	750mm	37 Kg
SWL	1000mm	25 Kg
D1	48 - 51mm	(2")
D2	48mm	(2")
W	50mm	(2")



Maximum
Torque
30 N-m
22 lb-ft

mm

D1

D2

W

T57310 - 0.84 Kg
 T57315 - 1.24 Kg
 T57317 - 1.65 Kg
 T57320 - 2.50 Kg
 T57311 - 0.84 Kg
 T57316 - 1.24 Kg
 T57318 - 1.65 Kg
 T57321 - 2.50 Kg

SWL

KG

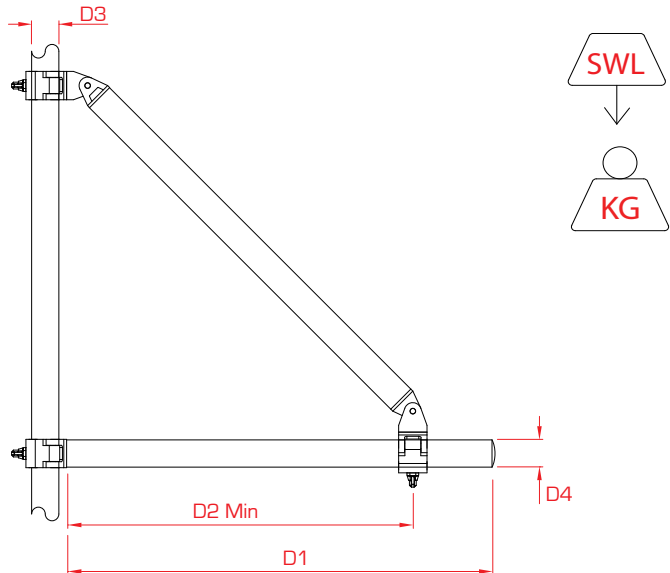
Braced Boom Arm

SWL	100 Kg
D1	1000mm
D2	750mm
D3	Ø48 - 51mm
D4	Ø48mm
Kg	5.0 Kg

SWL 100 Kg

The Braced Boom Arm is ideal for flying heavy luminaires such as moving heads from vertical bars or trusses. The diagonal brace eliminates movement or flexing in the boom arm. Manufactured with two articulating joints, most mounting situations can be accommodated.

T57325 - Silver
T5732501 - Black

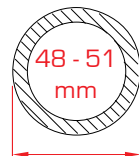


TRUSS ADAPTORS

Truss Adaptors enable triangular and square truss sections to be mounted to any of the Doughty® winch stand range. This system provides the means to lift truss sections into place safely. The range of Hanging Truss Adaptors have been designed to suspend truss sections with a chain hoist.

Main features:

- Provides a safe and secure means of lifting truss
- Adjustable to suit most truss sizes
- High tensile 6082-T6 aluminium couplers
- High quality silver powder paint

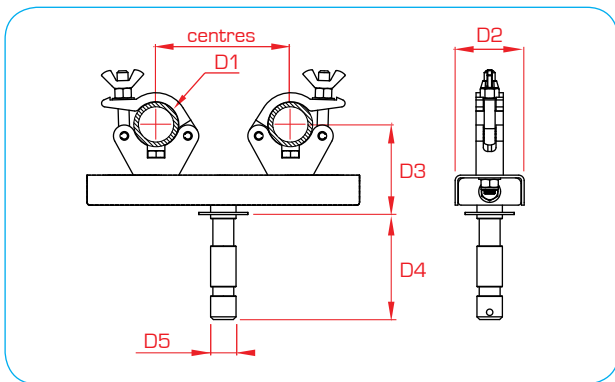
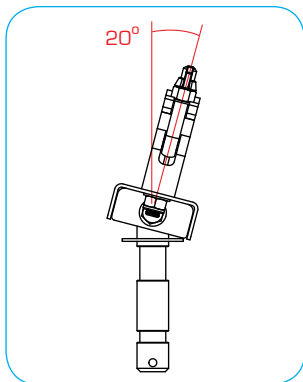


Swivel Truss Adaptor

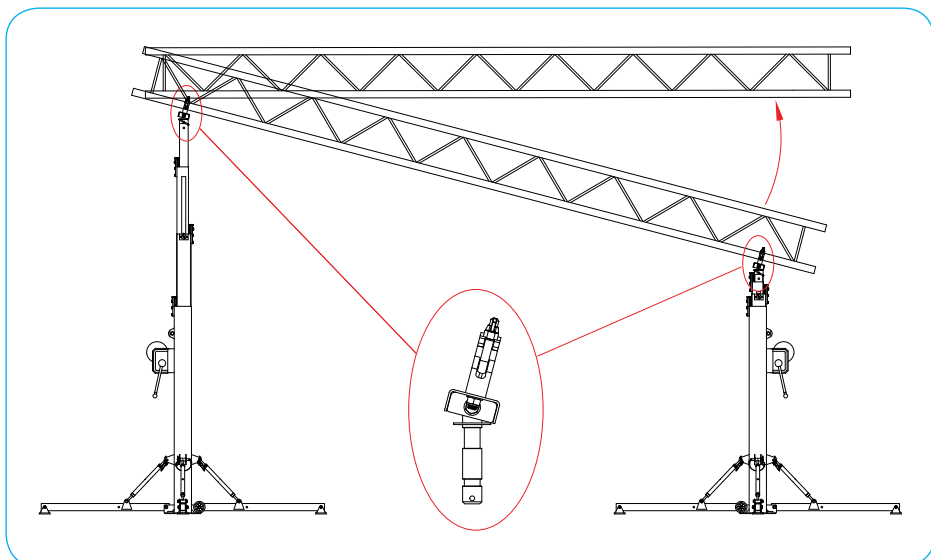
SWL	200 Kg
D1	Ø48 - 51mm
D2	76mm
D3	100mm
D4	115mm
D5	Ø28mm



T55704 - 150 - 250mm ctrs
T55705 - 200 - 400mm ctrs

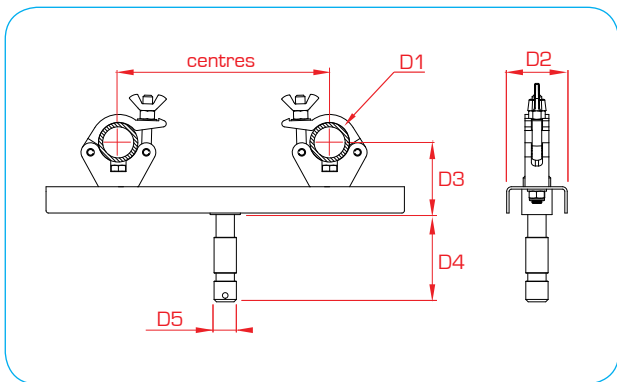


Suitable for all triangular and square truss sections. The Swivel Truss Adaptor allows one person to rig a truss between two winch stands. Each stand can be raised individually until the required height is achieved.



Fixed Truss Adaptor

SWL	200 Kg
D1	Ø48 - 51mm
D2	76mm
D3	91mm
D4	109mm
D5	Ø28mm

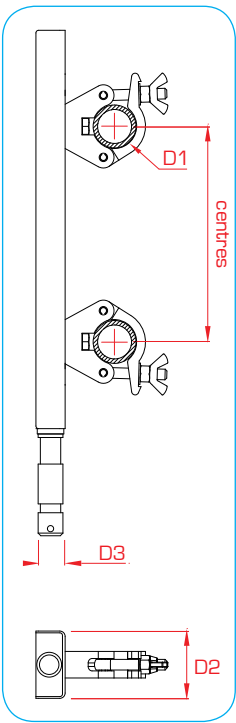


Suitable for all triangular and square truss sections. The Fixed Adaptor provides a firm fixing for more elaborate truss constructions. Supplied with two slimline couplers.

Fixed Ladder Truss Adaptor

SWL	200 Kg
D1	Ø48 - 51mm
D2	76mm
D3	Ø28mm

Suitable for all ladder truss sections. The Ladder Truss Adaptor ensures the truss is in the optimum position for maximum loading. Supplied with two slimline couplers.

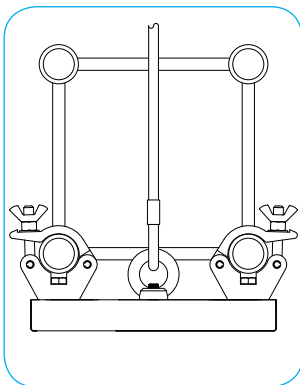
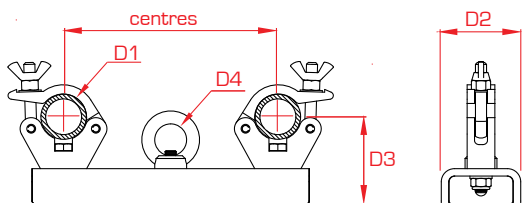




T57214 - 150 - 250mm ctrs
T57219 - 200 - 400mm ctrs

Hanging Truss Adaptor

SWL	200 Kg
D1	Ø48 - 51mm
D2	76mm
D3	91mm
D4	Ø30mm



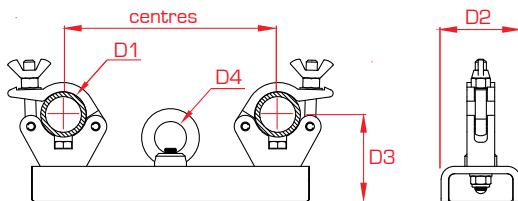
HD Hanging Truss Adaptor

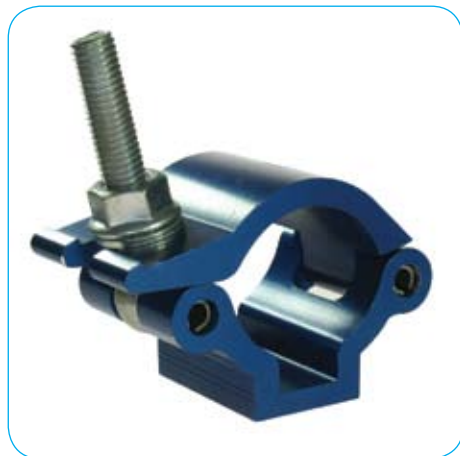
SWL	500 Kg
D1	Ø48 - 51mm
D2	76mm
D3	91mm
D4	Ø30mm



T55710 - 150 - 250mm ctrs
T55715 - 200 - 400mm ctrs

The Heavy Duty Hanging Truss Adaptor has been designed specifically to suspend triangular and square sections with loads up to 500 Kg. The suspension point is an M12 eye nut rated to 500 Kg.





All of the Doughty® Aluminium Clamp range is available in a wide range of anodised colours. Ideal for hire companies etc to identify their equipment from a distance or to blend in with a current colour scheme. For any anodised finish there is a minimum order qty of 100 pieces. Contact Sales for further information.

Anodised Finish - Contact Sales (Min Qty 100)

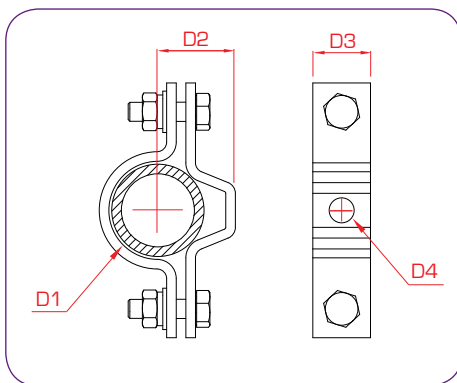
SUSPENSION CLAMPS

The Doughty® range of Suspension Clamps is a range of steel bracketry manufactured predominantly from flat steel bar.

This range can be used to suspend truss and tubes as well as flying luminaires from the steel boom arms.

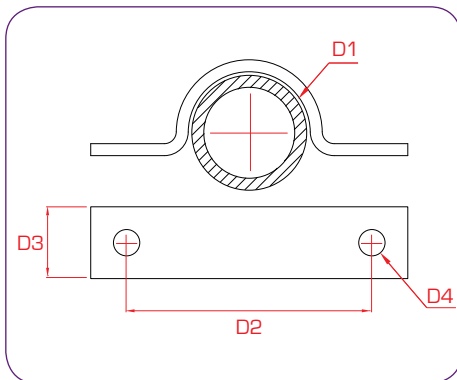
Manufactured and tested in our UK factory, quality is assured.





Universal Clamps

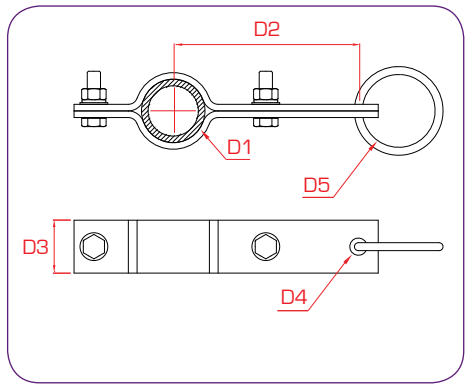
	SWL	D1	D2	D3	D4	Kg
T30400	200 Kg	Ø48mm	40mm	30mm	M12	0.43 Kg
T30404 (Black)	200 Kg	Ø48mm	40mm	30mm	M12	0.43 Kg
T30401	150 Kg	Ø38mm	30mm	25mm	M8	0.30 Kg
T30402	100 Kg	Ø25mm	22mm	20mm	M6	0.30 Kg



Saddle Clamps

	SWL	D1	D2	D3	D4	Kg
T30800	200 Kg	Ø48mm	102mm	30mm	11mm	0.21 Kg
T30801 (Black)	200 Kg	Ø48mm	102mm	30mm	11mm	0.21 Kg
T30804	150 Kg	Ø38mm	84mm	25mm	8.5mm	0.13 Kg
T30806	150 Kg	Ø25mm	70mm	20mm	7mm	0.05 Kg



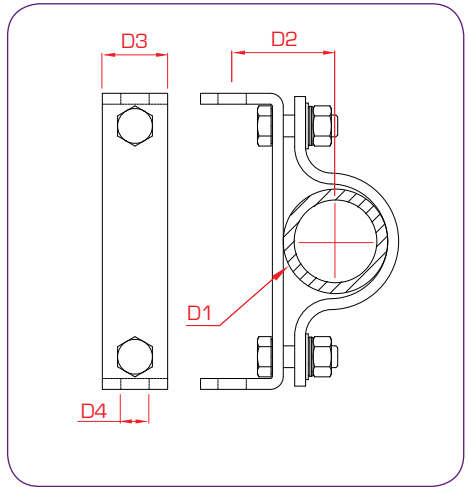


Hanging Clamps (to suit Shackles)

	SWL	D1	D2	D3	D4	Kg
T32100	250 Kg	Ø48mm	140mm	45mm	13mm	0.84 Kg
T32102	100 Kg	Ø38mm	85mm	25mm	9mm	0.33 Kg
T32103	100 Kg	Ø25mm	65mm	20mm	9mm	0.14 Kg

Hanging Clamp with Ring

	SWL	D1	D2	D3	D5	Kg
T32000	100 Kg	48mm	140mm	45mm	50mm	0.86 Kg
T32001 (Black)	100 Kg	48mm	140mm	45mm	50mm	0.86 Kg
T32002	100 Kg	38mm	85mm	25mm	40mm	0.34 Kg



Stud Hanger

	SWL	D1	D2	D3	D4	Kg
T30300	100 Kg	Ø48mm	48mm	30mm	13mm	0.50 Kg

Steel Boom Arms



T30500 - Standard



T30600 - Straight



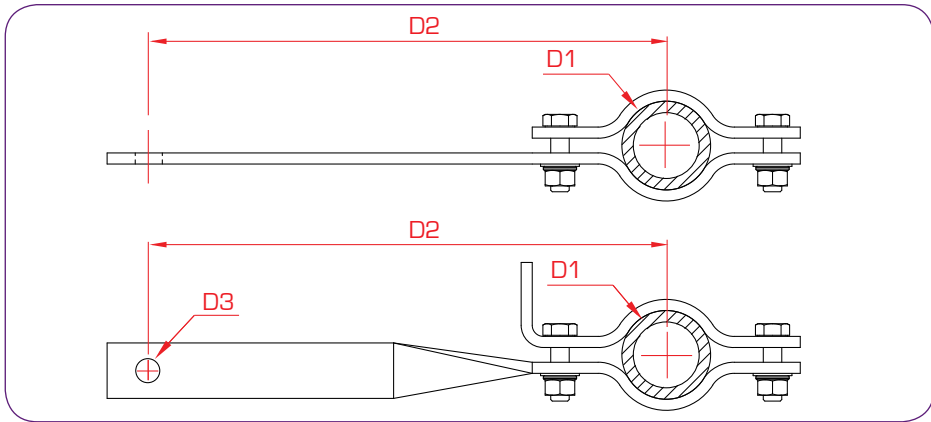
T31500 - Standard (with safety point)



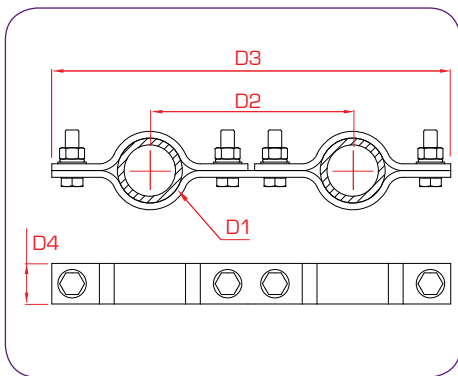
T31600 - Straight (with safety point)



T31700 - Double

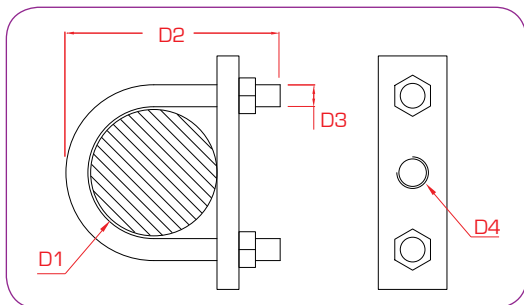


	SWL	D1	D2	D3	D4	Kg
T30500	12 Kg	Ø48mm	280mm	13mm	N/A	0.83 Kg
T30600	12 Kg	Ø48mm	280mm	13mm	N/A	0.88 Kg
T31500	16 Kg	Ø48mm	280mm	13mm	N/A	0.83 Kg
T31600	16 Kg	Ø48mm	280mm	13mm	N/A	0.88 Kg
T31700	12 Kg	Ø48mm	280mm x 2	13mm	N/A	1.11 Kg



Pipe to Pipe Clamps

	SWL	D1	D2	D3	D4	Kg
T30700	220 Kg	Ø48mm	150mm	300mm	30mm	0.83 Kg
T30900	220 Kg	Ø48mm	225mm	375mm	30mm	0.97 Kg
T31000	220 Kg	Ø48mm	300mm	450mm	30mm	1.10 Kg



'U' Bolts with Plate

	SWL	D1	D2	D3	D4	Kg
T32400	140 Kg	Ø32mm	62mm	M8	M10	0.15 Kg
T32500	140 Kg	Ø32mm	62mm	M8	M12	0.15 Kg
T33400	140 Kg	Ø48mm	78mm	M8	M10	0.19 Kg
T33500	140 Kg	Ø48mm	78mm	M8	M12	0.19 Kg



'U' Bolts	
T56500	32mm
T56600	48mm

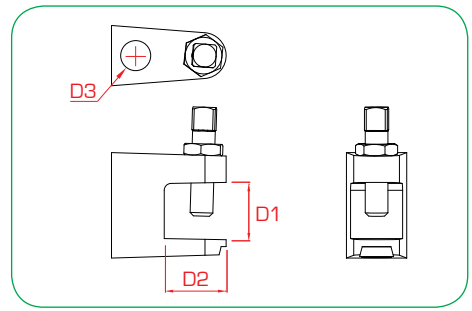
'U' Bolt Arch	
T56800	To Suit 48mm 'U' Bolts

Extension Plate	
T33600	30 x 5 x 265mm

GIRDER CLAMPS

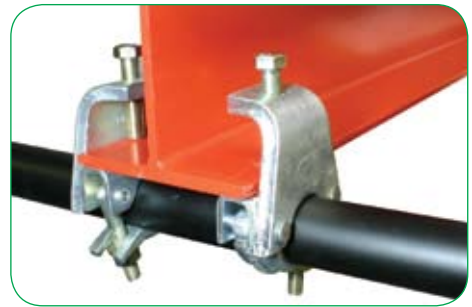
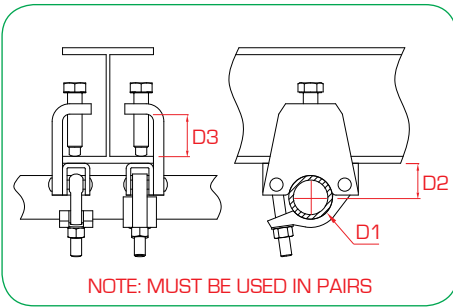
The Doughty® Girder Clamp range is a comprehensive range of steel bracketry designed specifically to mount on to structural girders/beams often used to suspend loads.





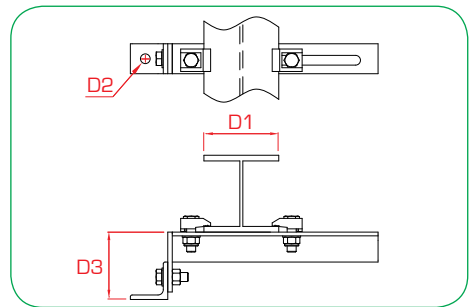
Lindaptor Flange Clamp

	SWL	D1	D2	D3	Kg
T29700	300 Kg	25mm	25mm	13mm	0.20 Kg



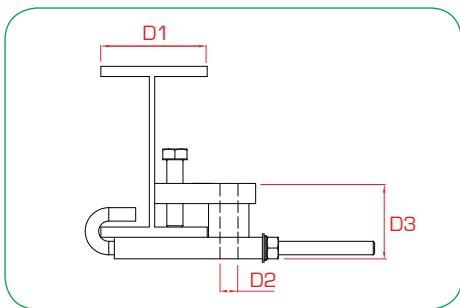
Gravlock Coupler

	SWL	D1	D2	D3	Kg
T29497	600 Kg	Ø48mm	38mm	0 - 45mm	1.47 Kg



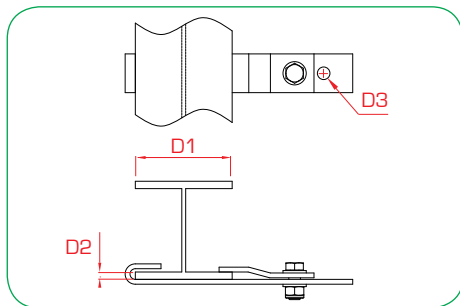
Girder Clamp with End Bracket

	SWL	D1	D2	D3	Kg
T29804	60 Kg	100 - 180mm	13mm	90mm	1.36 Kg
T29805	60 Kg	180 - 280mm	13mm	90mm	1.64 Kg
T29806	60 Kg	230 - 380mm	13mm	90mm	1.66 Kg



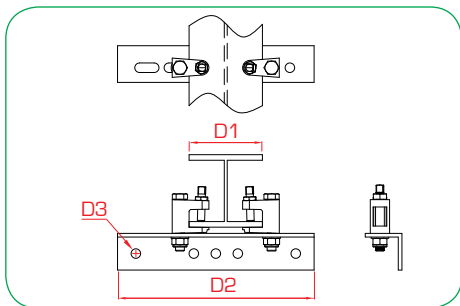
Girder Clamp - Light Duty

	SWL	D1	D2	D3	Kg
T29800	250 Kg	100 - 150mm	13mm	56mm	1.19 Kg
T29801	250 Kg	150 - 200mm	13mm	56mm	1.30 Kg



Pressed Girder Bracket

	SWL	D1	D2	D3	Kg
T29810	3 Kg	<125mm	10mm	16mm	0.64 Kg

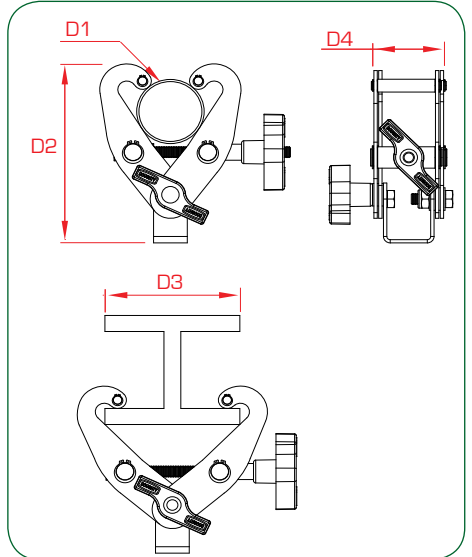


Girder Clamp

	SWL	D1	D2	D3	Kg
T29500	500 Kg	75 - 150mm	268mm	13mm	1.19 Kg
T29600	500 Kg	150 - 300mm	445mm	13mm	1.19 Kg

SCISSOR CLAMPS

The Scissor Clamp is available in two sizes, Light Duty with a SWL of 100 Kg & Heavy Duty with a SWL of 250 Kg. This clamp has been designed to clamp beams and tubes and has a black powder paint finish.

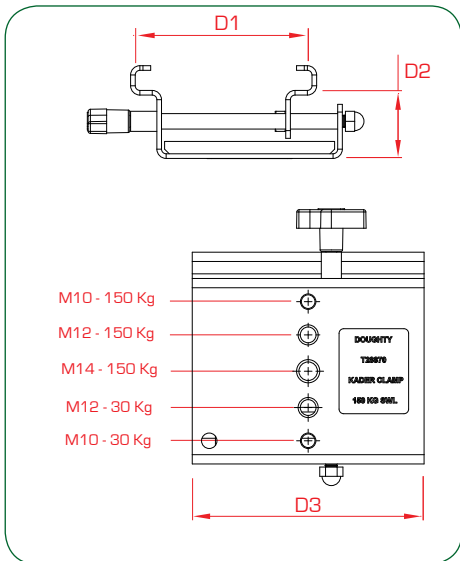


Scissor Clamps

	SWL	D1	D2	D3	D4	Kg
T29850	100 Kg	48-60mm	170mm	<120mm	62mm	1.40 Kg
T29860	250 Kg	48-60mm	170mm	<120mm	74mm	1.90 Kg

MARQUEE CLAMP

The Marquee Clamp is an adjustable clamp specifically designed for use with clear span marquees using grooved aluminium Kader style beams. This clamp has a SWL up to 150 Kg and a bright zinc plate finish.



Marquee Clamp					
	SWL	D1	D2	D3	Kg
T28870	<150 Kg	<100mm	44mm	150mm	1.30 Kg

HOOK CLAMPS

The standard range of Hook Clamps includes clamps to suit tube diameters from 20mm to 75mm.

Manufactured from high quality steel these clamps are simple to use and are extremely strong.

They are available in a bright zinc plate finish or black powder paint and virtually any size hook clamp can be made to your specification upon request.





T20100 - Silver
T20101 - Black



T20104 - Silver
T2010401 - Black



T20107 - Silver
T2010701 - Black

Standard 50mm

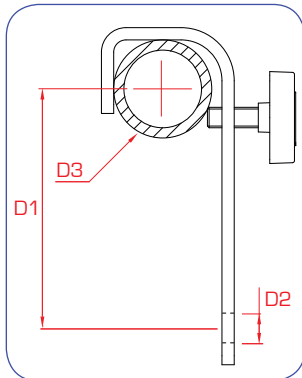
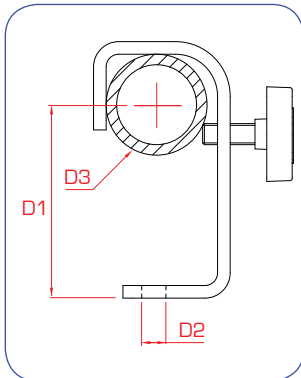
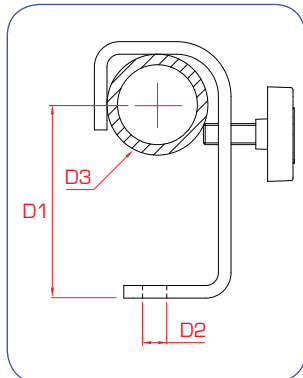
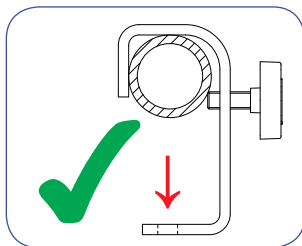
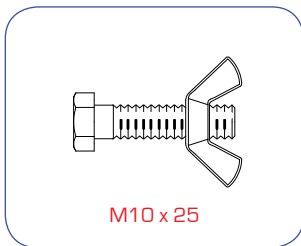
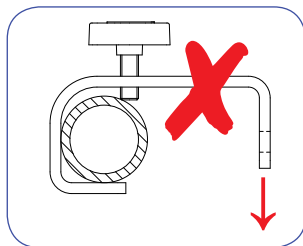
SWL	40 Kg
D1	95mm
D2	13mm
D3	Ø48 - 51mm
Width	25mm
Kg	0.32 Kg

Std incl Fixing Kit

SWL	40 Kg
D1	95mm
D2	13mm
D3	Ø48 - 51mm
Width	25mm
Kg	0.32 Kg

Straight 50mm

SWL	40 Kg
D1	115mm
D2	13mm
D3	Ø48 - 51mm
Width	25mm
Kg	0.33 Kg





T20105 - Silver
T2010501 - Black



T20102 - Silver

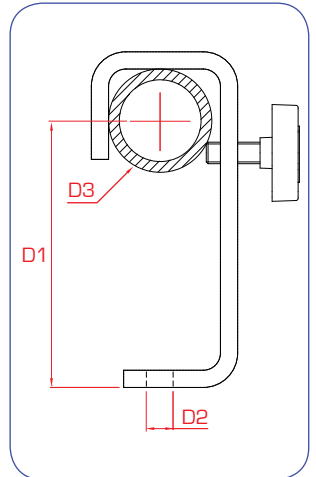
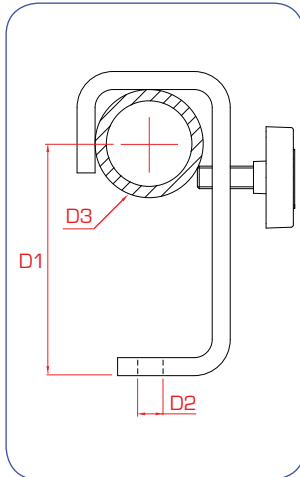
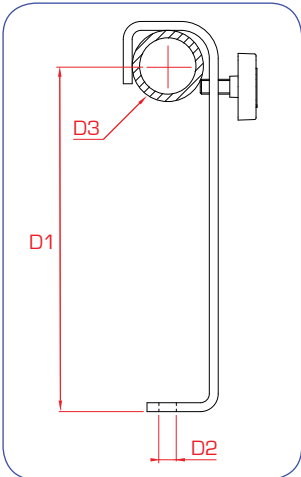
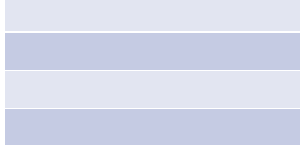
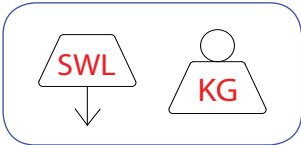


T20400 - Silver
T20401 - Black

Standard Extra Long	
SWL	40 Kg
D1	233mm
D2	13mm
D3	Ø48 - 51mm
Width	25mm
Kg	0.48 Kg

Medium Duty 50mm	
SWL	100 Kg
D1	103mm
D2	13mm
D3	Ø48 - 51mm
Width	25mm
Kg	0.43 Kg

Heavy Duty 50mm	
SWL	150 Kg
D1	124mm
D2	13mm
D3	Ø48 - 51mm
Width	50mm
Kg	0.88 Kg





T20900 - Silver
T20901 - Black



T21100 - Silver
T21101 - Black

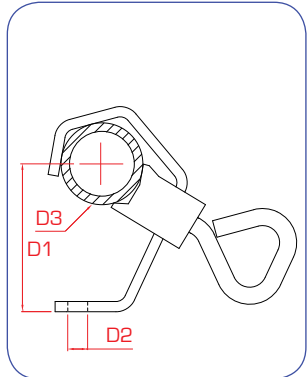
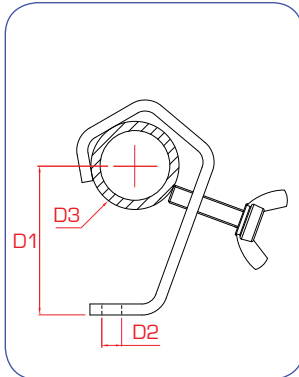
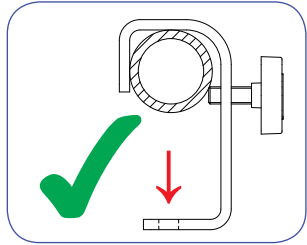
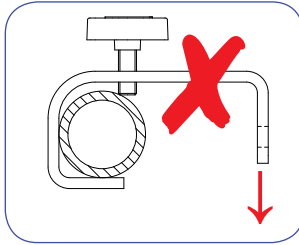
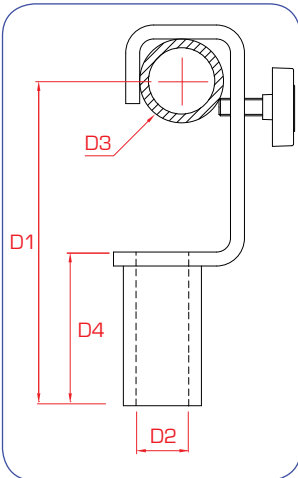


T21800 - Silver
T21801 - Black

TV Hook Clamp	
SWL	150 Kg
D1	186mm
D2	29mm
D3	Ø48 - 51mm
D4	88mm
Width	50mm
Kg	1.42 Kg

Universal	
SWL	40 Kg
D1	80mm
D2	13mm
D3	Ø20 - 51mm
Width	25mm
Kg	0.29 Kg

Universal Truss Clamp	
SWL	40 Kg
D1	80mm
D2	13mm
D3	Ø48 - 51mm
Width	25mm
Kg	0.38 Kg





T20405 - Black



T20212



T20210

Universal Heavy Duty

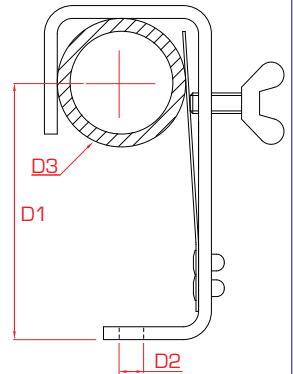
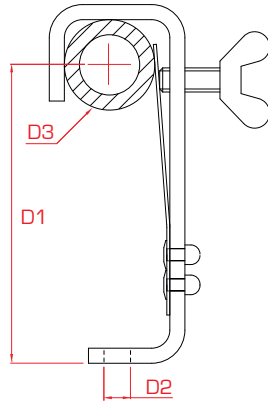
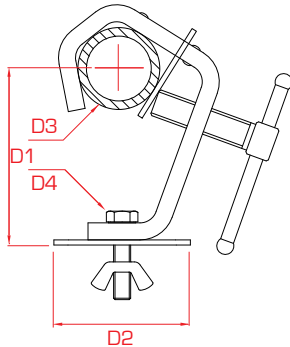
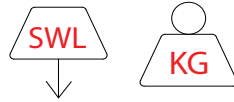
SWL	150 Kg
D1	100mm
D2	Ø80mm
D3	Ø48 - 51mm
D4	M10x45
Width	50mm
Kg	1.16 Kg

30mm Protector Strip

SWL	25 Kg
D1	100mm
D2	10mm
D3	Ø30mm
Width	25mm
Kg	0.20 Kg

50mm Protector Strip

SWL	25 Kg
D1	100mm
D2	10mm
D3	Ø48 - 51mm
Width	25mm
Kg	0.26 Kg





T20000



T20301



T20200 - Silver
T20201 - Black

18mm Aluminium

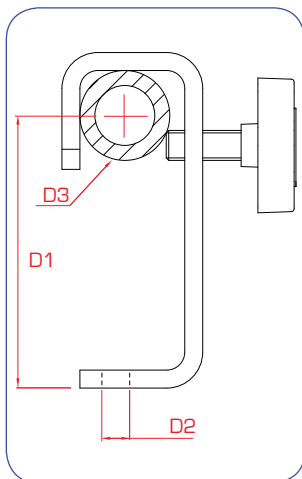
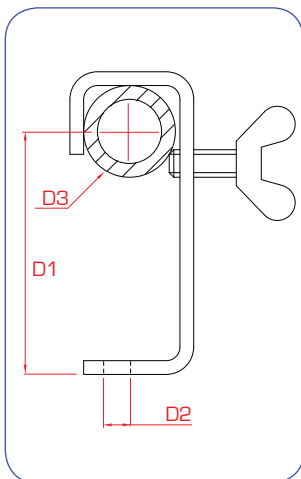
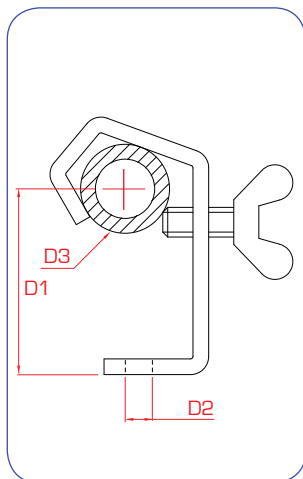
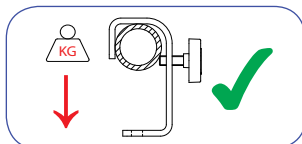
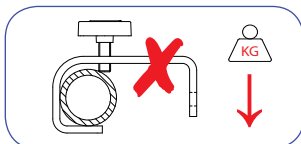
SWL	2 Kg
D1	37mm
D2	7mm
D3	Ø18mm
Width	20mm
Kg	0.03 Kg

20mm Hook Clamp

SWL	15 Kg
D1	53mm
D2	7mm
D3	Ø20mm
Width	20mm
Kg	0.07 Kg

30mm Hook Clamp

SWL	15 Kg
D1	91mm
D2	13mm
D3	Ø30mm
Width	25mm
Kg	0.30 Kg





T20103 - Silver
T2010301 - Black



T21805 - Silver
T2180501 - Black

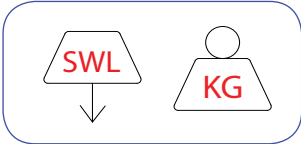


T21810 - Silver
T2181001 - Black

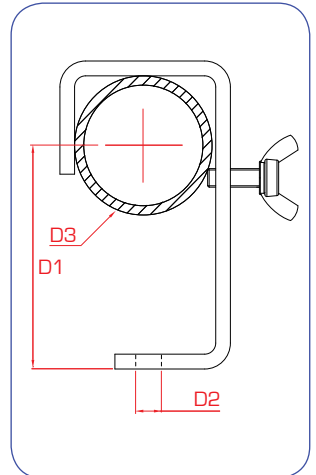
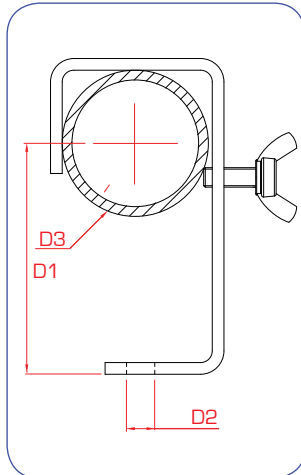
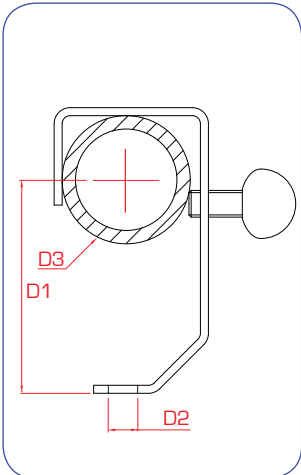
Birdie Clamp	
SWL	2 Kg
D1	80mm
D2	11mm
D3	Ø48 - 51mm
Width	20mm
Kg	0.11 Kg

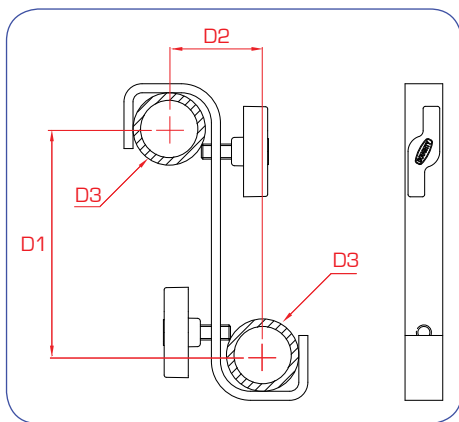
75mm Hook Clamp	
SWL	50 Kg
D1	120mm
D2	13mm
D3	Ø75mm
Width	30mm
Kg	0.38 Kg

Heavy Duty 75mm	
SWL	150 Kg
D1	120mm
D2	13mm
D3	Ø75mm
Width	50mm
Kg	1.08 Kg



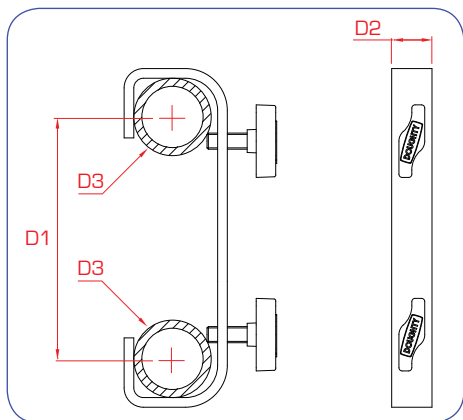
**Special
Hook Clamps
Made to Order**





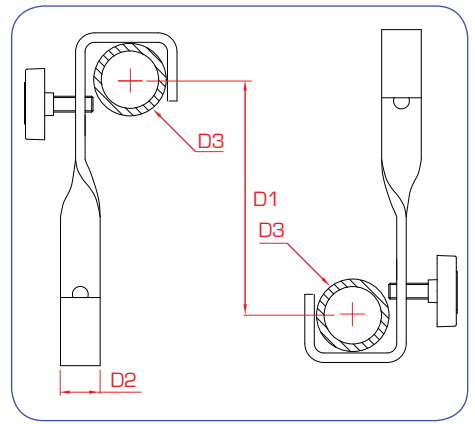
Double Ended 180° Twist Hook Clamp

	SWL	D1	D2	D3	Kg
T19700	40 Kg	150mm	60mm	Ø48 - 51mm	0.50 Kg
T19800	40 Kg	225mm	60mm	Ø48 - 51mm	0.58 Kg
T19900	40 Kg	300mm	60mm	Ø48 - 51mm	0.67 Kg
T19905	40 Kg	450mm	60mm	Ø48 - 51mm	0.89 Kg
T19910	40 Kg	600mm	60mm	Ø48 - 51mm	1.09 Kg



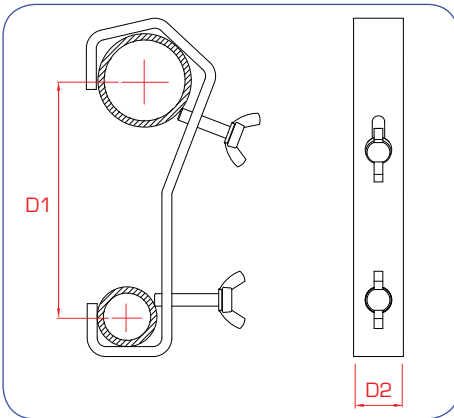
Double Ended Parallel Hook Clamp

	SWL	D1	D2	D3	Kg
T20500	40 Kg	150mm	25mm	Ø48 - 51mm	0.50 Kg
T20600	40 Kg	225mm	25mm	Ø48 - 51mm	0.58 Kg
T20700	40 Kg	300mm	25mm	Ø48 - 51mm	0.67 Kg
T20705	40 Kg	450mm	25mm	Ø48 - 51mm	0.89 Kg
T20710	40 Kg	600mm	25 mm	Ø48 - 51mm	1.09 Kg



Double Ended 90° Twist Hook Clamp

	SWL	D1	D2	D3	Kg
T21500	40 Kg	150mm	25mm	Ø48 - 51mm	0.50 Kg
T21600	40 Kg	225mm	25mm	Ø48 - 51mm	0.58 Kg
T21700	40 Kg	300mm	25mm	Ø48 - 51mm	0.67 Kg
T21705	40 Kg	450mm	25mm	Ø48 - 51mm	0.89 Kg
T21710	40 Kg	600mm	25mm	Ø48 - 51mm	1.09 Kg

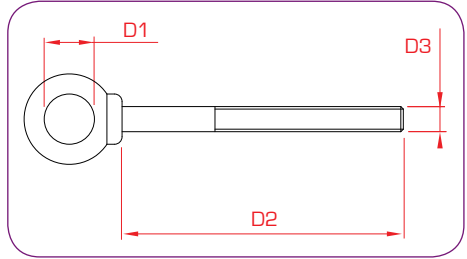


Heavy Duty Double Ended Hook Clamp [75mm - 50mm]

	SWL	D1	D2	Kg
T20910	150 Kg	190mm	40mm	1.03 Kg

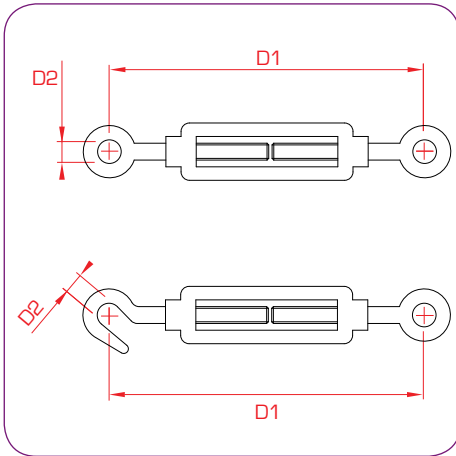
Special Sizes Made to Order

HOOKS & EYES



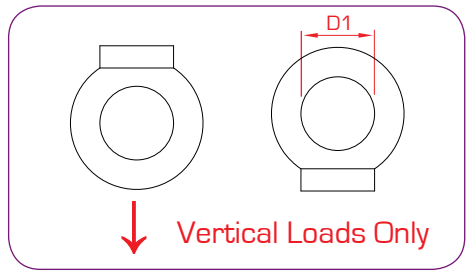
Gate Eye

		D1	D2	D3
T42600	M10 x 115	12mm	115mm	11mm
T42700	M12 x 150	18mm	150mm	13mm



Barrel Strainers

		SWL	D1	D2
T39500	M8 Hook and Eye	130 Kg	155 - 225mm	10mm
T37500	M8 Eye and Eye	230 Kg	155 - 225mm	10mm
T39600	M10 Hook and Eye	440 Kg	190 - 265mm	13.5mm
T37600	M10 Eye and Eye	700 Kg	190 - 265mm	13.5mm

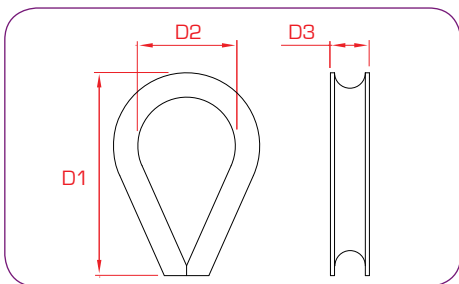


Eye Nuts

	Size	SWL	D1	Standard	Notes
T42000	M6	100 Kg	20mm	DIN 582	(Plated)
T42001	M6	100 Kg	20mm	DIN 582	Tested (Plated)
T42100	M8	140 Kg	20mm	DIN 582	(Plated)
T42101	M8	140 Kg	20mm	DIN 582	Tested (Plated)
T42200	M10	230 Kg	24mm	DIN 582	(Plated)
T42201	M10	230 Kg	24mm	DIN 582	Tested (Plated)
T42202	M10	230 Kg	24mm	DIN 582	(Black)
T42300	M12	340 Kg	30mm	DIN 582	(Plated)
T42301	M12	340 Kg	43mm	DIN 582	Tested (Large Eye)
T42302	M12	340 Kg	30mm	DIN 582	(Black)
T42303	M12	340 Kg	30mm	DIN 582	Tested (Black)
T42305	M12	500 Kg	35mm	DIN 582	Tested (Plated)
T42307	M12	750 Kg	35mm	DIN 582	Tested (Pink)

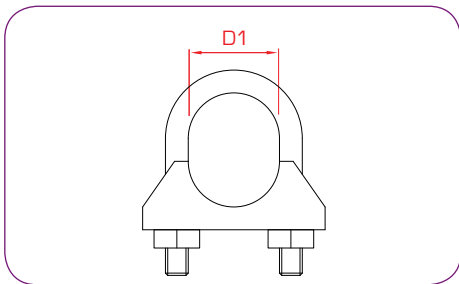
Eye Bolts

	Size	SWL	D1	Standard	Notes
T42500	M6 x 13	100 Kg	15mm	BS 4278/1	(Self Colour)
T42501	M6 x 18	100 Kg	15mm	BS 4278/1	Tested (Plated)
T42502	M6 x 13	70 Kg	20mm	DIN580	Large Eye (Plated)
T39700	M8 x 20	150 Kg	15mm	BS 4278/1	(Self Colour)
T39701	M8 x 20	140 Kg	15mm	BS 4278/1	Tested (Plated)
T39702	M8 x 13	140 Kg	20mm	DIN580	Large Eye (Plated)
T39800	M10 x 20	250 Kg	15mm	BS 4278/1	(Self Colour)
T39801	M10 x 20	250 Kg	15mm	BS 4278/1	Tested (Plated)
T39802	M10 x 20	230 Kg	25mm	DIN580	Large Eye (Self Colour)
T39900	M12 x 20	400 Kg	15mm	BS 4278/1	(Self Colour)
T39901	M12 x 20	400 Kg	15mm	BS 4278/1	Tested (Plated)
T39902	M12 x 20	340 Kg	25mm	DIN580	Large Eye (Plated)



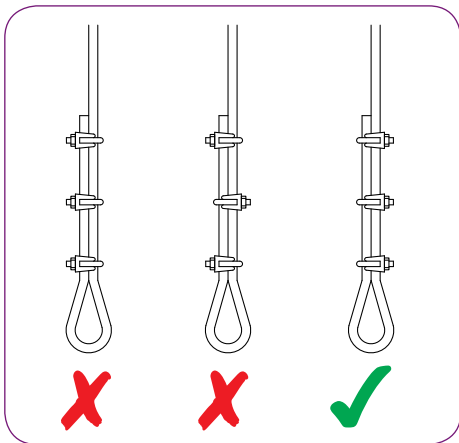
Thimbles

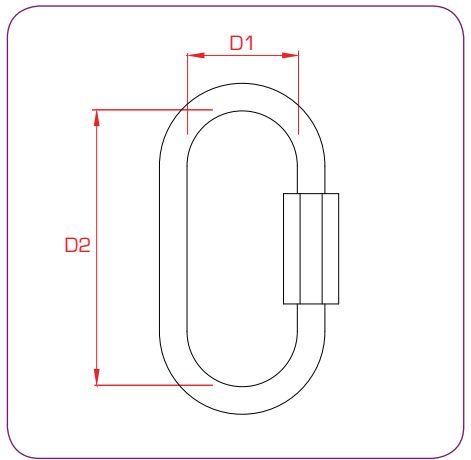
	Size	D1	D2	D3	Standard
T38600	3mm	26mm	10mm	7mm	
T38700	4 - 5mm	34mm	13mm	9mm	BS 464
T38800	6 - 7mm	38mm	17mm	10mm	
T38802	6 - 7mm	48mm	18mm	12mm	BS 464
T38900	8mm	53mm	24mm	13mm	
T38902	8mm	57mm	22mm	13mm	BS 464
T39000	9 - 10mm	62mm	31mm	14mm	
T39002	9 - 10mm				BS 464



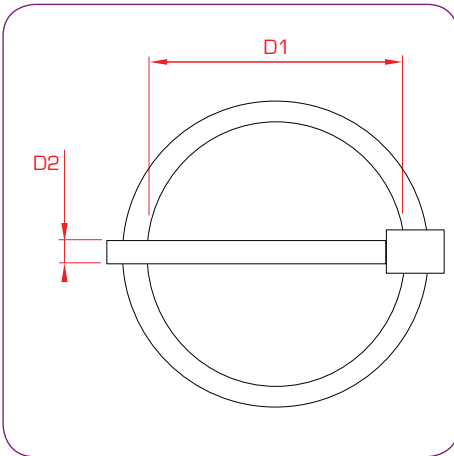
Cable Grips

	Size	D1	Standard
T38000	3mm	5mm	
T38100	4 - 5mm	6mm	
T38101	4 - 5mm	6mm	DIN 1142
T38200	6 - 7mm	8mm	
T38201	6 - 7mm	8mm	DIN 1142
T38400	8mm	9mm	
T39401	8mm	9mm	DIN 1142
T39500	9 - 10mm	12mm	
T39501	9 - 10mm	12mm	DIN 1142

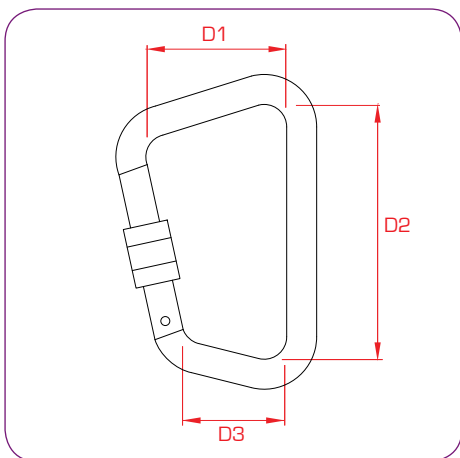




Quick Links					
	Size	SWL	D1	D2	Standard
T23490	M6	200 Kg	14mm	48mm	DIN 56926
T23500	M8	350 Kg	17mm	58mm	DIN 56926
T23505	M10	500 Kg	20mm	70mm	DIN 56926
T23510	M12	750 Kg	23mm	81mm	DIN 56926

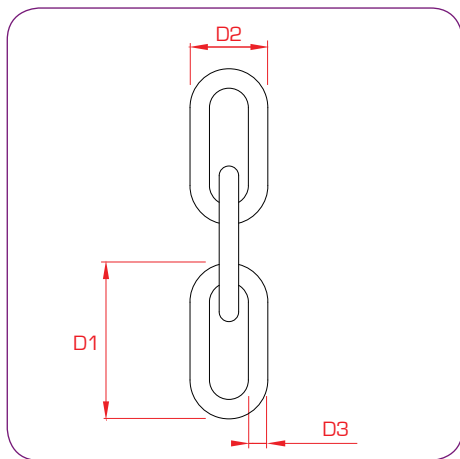


Lynch Pins			
	SWL	D1	D2
T21000	200 Kg	43mm	5.80mm



Karabiners

	SWL	D1	D2	D3
T28700	400 Kg	45mm	88mm	30mm



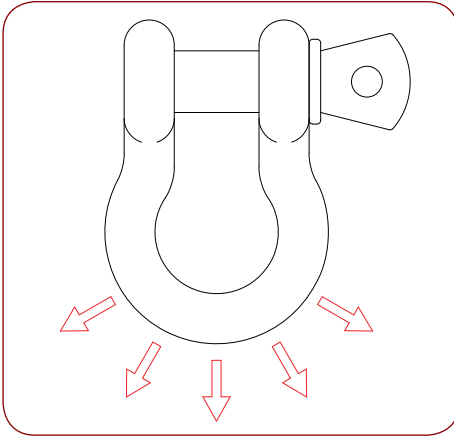
Lifting Chain

	Length	SWL	D1	D2	D3
T28000	per Metre	250 Kg	68mm	30mm	8mm
T28001	1.0M	250 Kg	68mm	30mm	8mm
T28025	25M	250 Kg	68mm	30mm	8mm
T28050	50M	250 Kg	68mm	30mm	8mm
T28075	100M	250 Kg	68mm	30mm	8mm

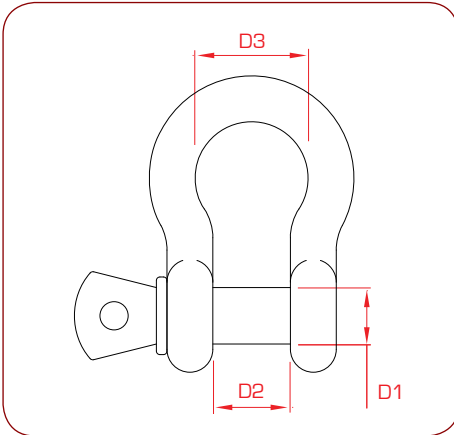
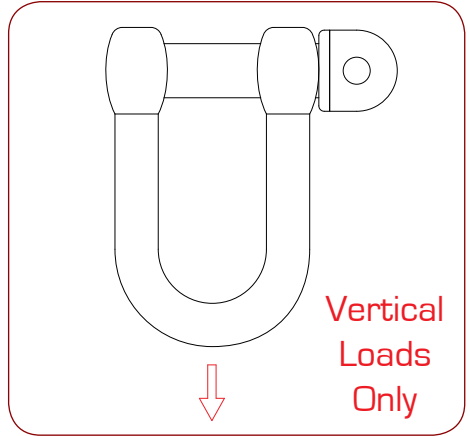
BOW SHACKLES

Unlike 'D' Shackles, Bow Shackles are able to take loads from multiple directions.

BOW SHACKLE



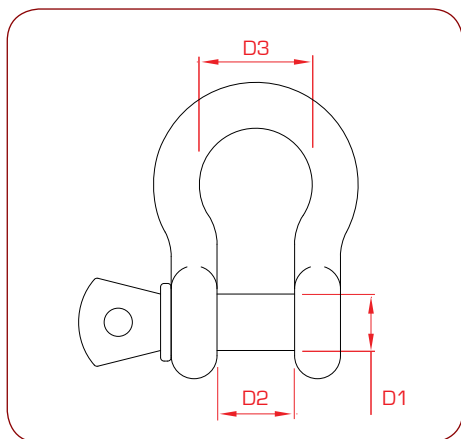
'D' SHACKLE



Bow Shackles - Silver Pin

(EN 13889/RR-C-271B)

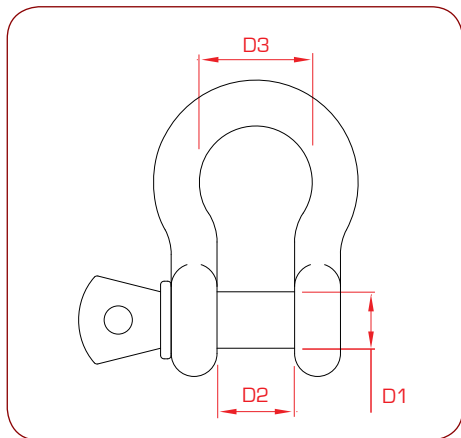
	WWL	D1	D2	D3
T39100	330 Kg	6mm	9.5mm	16mm
T39200	500 Kg	8mm	12mm	19mm
T39300	750 Kg	10mm	13mm	20mm
T39400	1500 Kg	12.5mm	17mm	28mm



Bow Shackles - Green Pin

[EN 13889/RR-C-271B]

	WWL	D1	D2	D3
T39101:	330 Kg	6mm	9.5 mm	16 mm
T39201:	500 Kg	8mm	12 mm	21 mm
T39301:	750 Kg	10mm	13 mm	22 mm
T39401:	1500 Kg	12.5mm	17 mm	28 mm



Crosby® Shackles - G209

[EN 13889/RR-C-271B]

	WWL	D1	D2	D3
T39102:	330 Kg	6mm	9.5 mm	16 mm
T39202:	500 Kg	8mm	12 mm	21 mm
T39302:	750 Kg	10mm	13 mm	22 mm
T39402:	1500 Kg	12.5mm	17 mm	28 mm

SAFETY BONDS

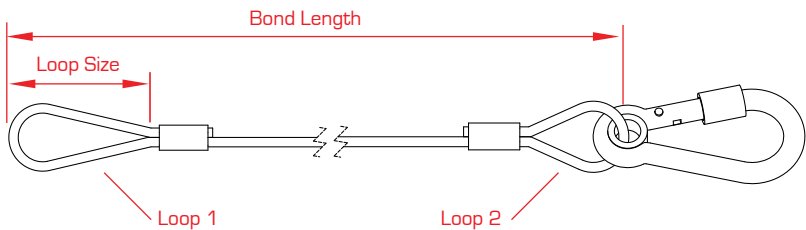
The Safety Bonds shown on the following pages represent our standard range of stock items. We are able to supply any length bonds with fittings to suit individual requirements, including dedicated labels.

All bonds are manufactured in accordance with BS302, BS7905, DIN3055, DIN3060, Loler Standards and the Machinery Directive and are supplied with a batch test certificate.

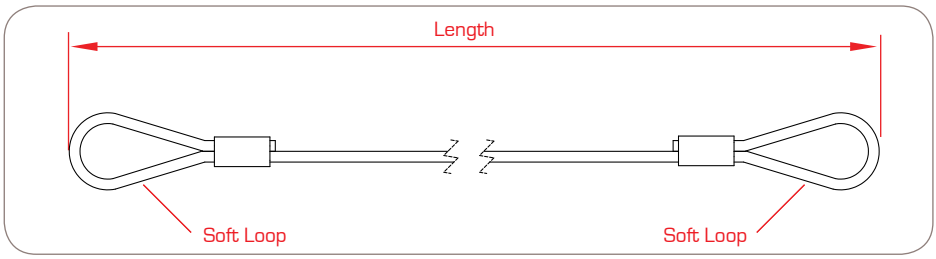
TV Specification bonds conform to BBC TV 168A.

Custom Bonds

Doughty® Engineering supply a full range of bonds to the customers specification. When ordering custom bonds note the bond length is from loop to loop excluding any hooks. If a hook is specified with a soft loop, the soft loop will be large enough for the hook to pass through. A thimble loop will allow the hook to be attached to the thimble loop. Special loop sizes can be made on request. Our technical sales team will advise the wire diameter and hook specification depending on the SWL required. All bonds can be supplied with the SWL, your company name and contact details printed on a heat shrink sleeve.

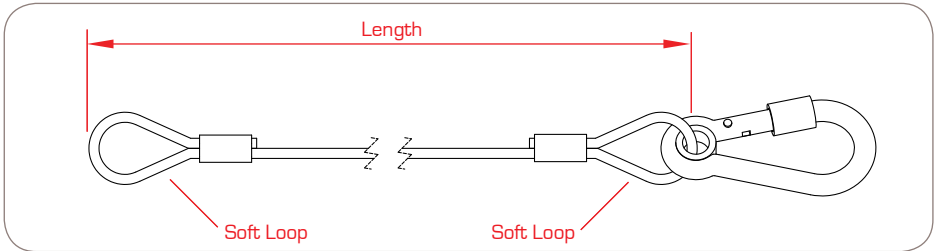


Your Company Name on Each Bond



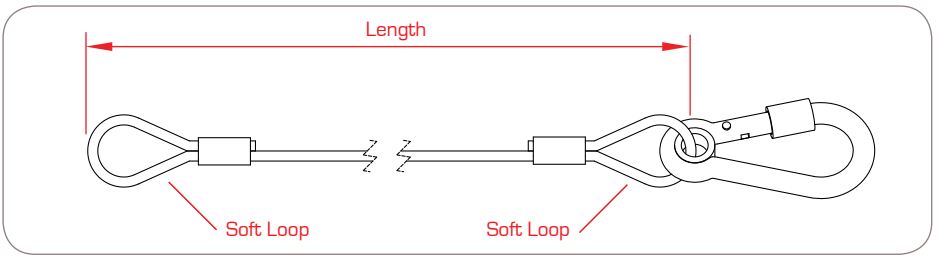
General Purpose Bonds

	Wire	Hook	Length	SWL
T2849001	3mm	N/A	600mm	100 Kg
T2852001	4mm	N/A	600mm	175 Kg



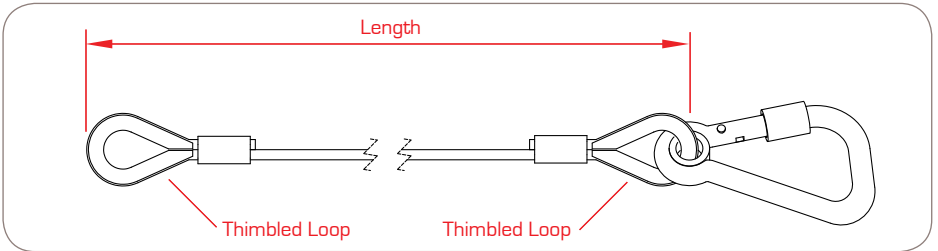
Accessory Bond with M6 Carbine Hook

	Wire	Hook	Length	SWL
T2841001	2mm	M6 x 60	600mm	20 Kg



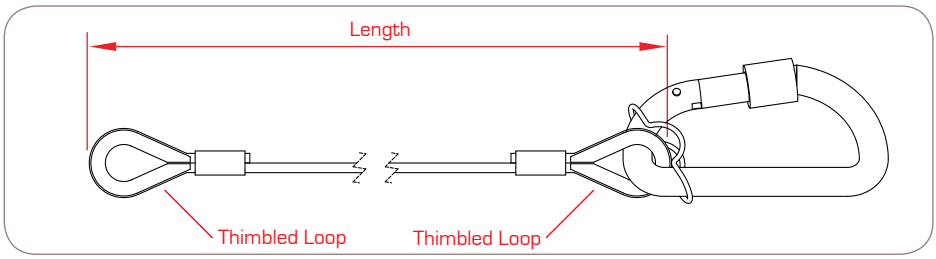
Safety Bonds

	Wire	Hook	Length	SWL
T2840001	2mm	Spring Hook	500mm	5 Kg
T22001	3mm	Carbine Hook	600mm	15 Kg
T22101	3mm	2 x Carbine Hooks	600mm	15 Kg

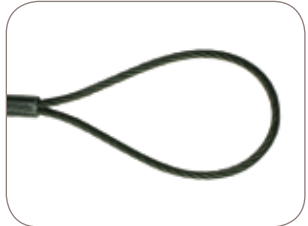
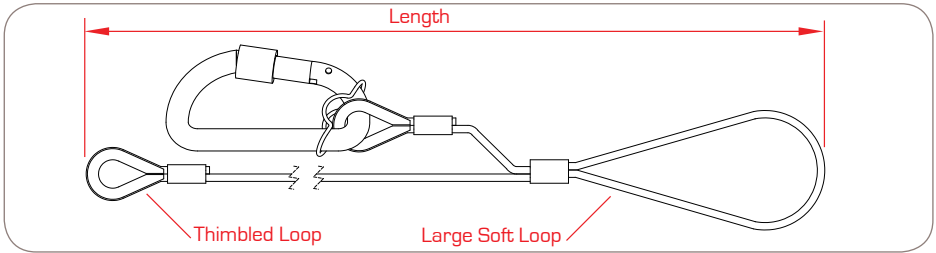


Safety Bond with Moving Light Hook

	Wire	Hook	Length	SWL
T2844001	4mm	Moving Light Hook	600mm	36 Kg
T2844501	4mm	Moving Light Hook	1000mm	36 Kg



TV Spec Bonds				
	Wire	Hook	Length	SWL
T2820501	4mm	Karabiner	700mm	50 Kg
T2830501	5mm	Karabiner	700mm	75 Kg



TV Spec Bonds with Large Loop				
	Wire	Hook	Length	SWL
T2820001	4mm	Karabiner	700mm	50 Kg
T2830001	5mm	Karabiner	700mm	75 Kg

STANDARD PULLEYS

The Doughty® Pulley system is of modular construction, allowing easy assembly of single or multiple sheave units from a limited range of standard components.

With the addition of various brackets and fixings, the basic pulleys will fulfill a variety of specialist needs.

Sheaves are of two basic types, for fibre or wire ropes.

The range of Standard Doughty® Pulleys has a safe working load of 150 Kg.





Single



Double



Triple



Quad



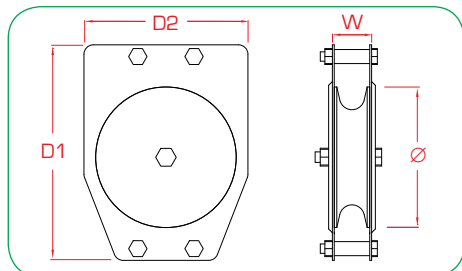
Quin

Ø100 = 16mm Rope
4mm Wire

Ø150 = 18mm Rope
6mm Wire

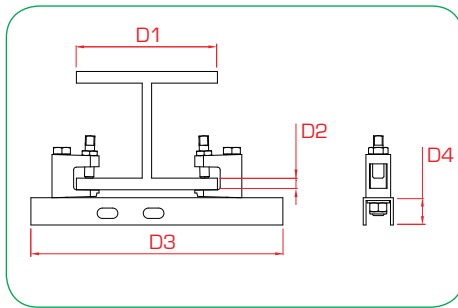
Ø180 = 18mm Rope
6mm Wire

Ø100mm		Ø150mm		Ø180mm		
Wire		Wire		Wire		W
T42800	Single	T42820	Single	T42830	Single	22mm
T42801	Double	T42821	Double	T42831	Double	53mm
T42812	Triple	T42822	Triple	T42832	Triple	85mm
T42813	Quad	T42823	Quad	T42833	Quad	116mm
T42814	Quin	T42824	Quin	T42834	Quin	148mm
Rope		Rope		Rope		W
T42836	Single	T42846	Single	T42855	Single	22mm
T42837	Double	T42847	Double	T42856	Double	53mm
T42838	Triple	T42848	Triple	T42857	Triple	85mm
T42839	Quad	T42849	Quad	T42858	Quad	116mm
T42840	Quin	T42850	Quin	T42859	Quin	148mm



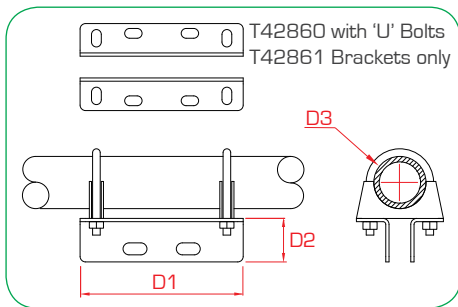
Ø	100mm	150mm	180mm
D1	178mm	230mm	278mm
D2	125mm	175mm	200mm
SWL	150Kg	150 Kg	150 Kg





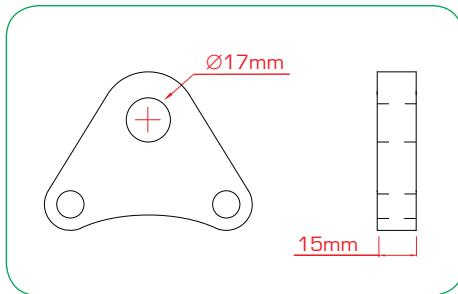
Girder Brackets

	D1	D2	D3	D4
T42870	75 - 150mm	< 20mm	270mm	25mm
T42872	150 - 300mm	< 20mm	450mm	25mm
SWL	150 Kg			



Multifix Brackets

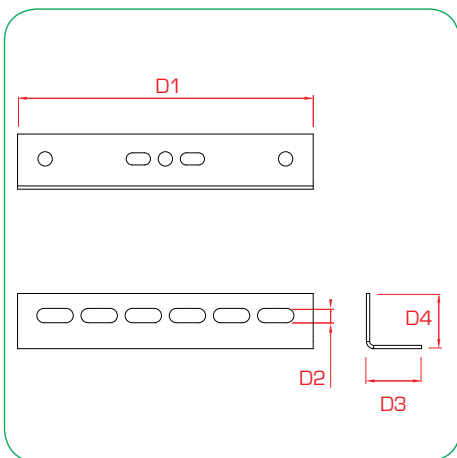
	D1	D2	D3
T42860 (With 'U' Bolts)	150mm	50mm	Ø 48 - 51mm
T42861 (Without 'U' Bolts)	150mm	50mm	Ø 48 - 51mm
SWL	150 Kg		



Awning Profiles

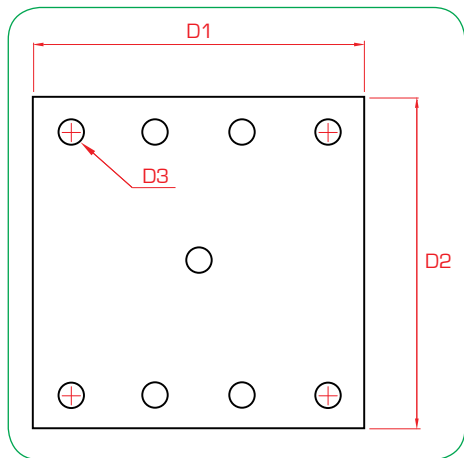
Designed to be used with an M12 Shackle.

T42865	SWL 150 Kg
--------	------------



Multibeam Brackets

	SWL	D1	D2	D3	D4
T42885	150Kg	270mm	13mm	50mm	50mm
T42886	150Kg	450mm	13mm	50mm	50mm



Wall Plates

	SWL	D1	D2	D3
T42897 for 100mm Pulleys	150Kg	185mm	178mm	10mm
T42898 for 150mm Pulleys	150Kg	235mm	230mm	10mm
T42899 for 180mm Pulleys	150Kg	275mm	260mm	10mm

HEAVY DUTY PULLEYS

The Doughty® Heavy Duty Pulleys are constructed from nylon sheaves together with ball raced bearings for smooth friction free operation. Side plates are constructed from 5mm thick steel giving an extremely strong construction. Heavy Duty Pulleys are available with 100mm, 150mm and 200mm sheaves with SWL's of 200, 400 and 600 Kg's respectively. Pulleys are available for both fibre and wire ropes together with a range of bracketry to suit.





Single



Double



Triple



Quad

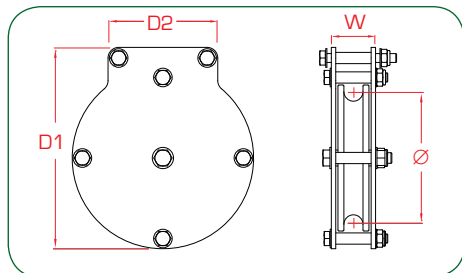


Quin

$\varnothing 100 = 16\text{mm Rope}$
 4mm Wire
 $\varnothing 150 = 18\text{mm Rope}$
 6mm Wire
 $\varnothing 200 = 18\text{mm Rope}$
 6mm Wire

HD $\varnothing 100\text{mm}$		HD $\varnothing 150\text{mm}$		HD $\varnothing 200\text{mm}$		
Rope		Rope		Rope		W
T42931	Single	T42941	Single	T42951	Single	50mm
T42932	Double	T42942	Double	T42952	Double	75mm
T42933	Triple	T42943	Triple	T42953	Triple	100mm
T42934	Quad	T42944	Quad	T42954	Quad	130mm
T42935	Quin	T42945	Quin	T42955	Quin	160mm

Wire		Wire		Wire		W
T42901	Single	T42911	Single	T42921	Single	50mm
T42902	Double	T42912	Double	T42922	Double	75mm
T42903	Triple	T42913	Triple	T42923	Triple	100mm
T42904	Quad	T42914	Quad	T42924	Quad	130mm
T42905	Quin	T42915	Quin	T42925	Quin	160mm



\varnothing	100 mm	150 mm	200 mm
D1	178mm	228mm	278mm
D2	124mm	124mm	174mm
SWL	200 Kg	400 Kg	600 Kg

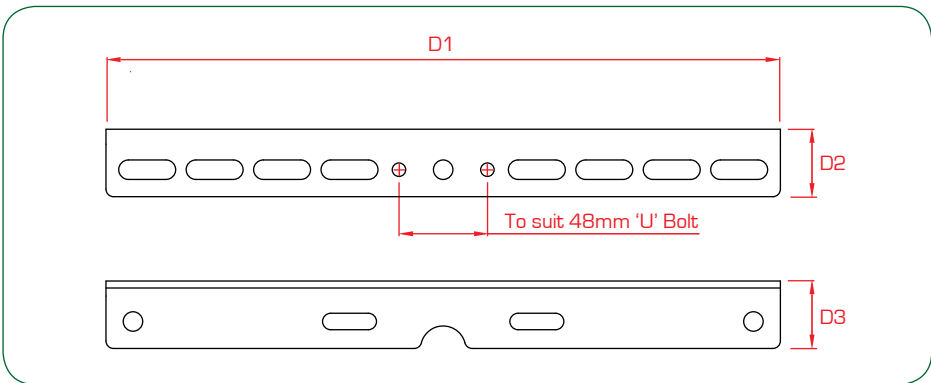




Heavy Duty - Multibeam Brackets

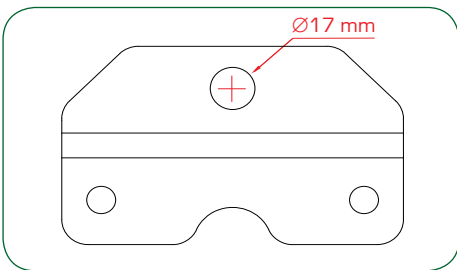
	SWL	D1	D2	D3
T42990	150 Kg	225mm	45mm	45mm
T42995	150 Kg	450mm	45mm	45mm

A pair of slotted angle brackets which can be used for wall or ceiling applications. The holes are specifically spaced for the use of 48mm 'U' Bolts (T56600).



Heavy Duty - Awning Brackets

100 & 150mm			200mm	
T42984	100 & 150mm	Single Sheave	T42987	200mm Single Sheave
T42985	100 & 150mm	Double Sheave	T42988	200mm Double Sheave
T42986	100 & 150mm	Triple Sheave	T42989	200mm Triple Sheave
SWL	400 Kg		SWL	600 Kg



Designed to be used with an M12 Shackle.





Heavy Duty - Universal Mounting Plates

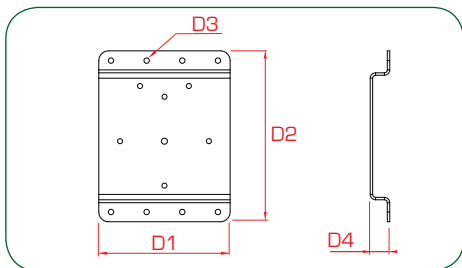
T42979	fits Single Pulley	SWL 150 Kg
T42980	fits Double Pulley	SWL 150 Kg
T42981	fits Triple Pulley	SWL 150 Kg
T42982	fits Quad Pulley	SWL 150 Kg
T42983	fits Quin Pulley	SWL 150 Kg

Universal mounting plates enable pulleys to be mounted to tubes with a pair of 'U' bolts. These plates are supplied with a pair of multifix brackets and 'U' bolts.



Heavy Duty - Wall Plates

	Pulley Size	D1	D2	D3	D4
T42997	100mm	219mm	300mm	11mm	40mm
T42998	150mm	269mm	350mm	11mm	40mm
T42999	200mm	319mm	400mm	11mm	40mm



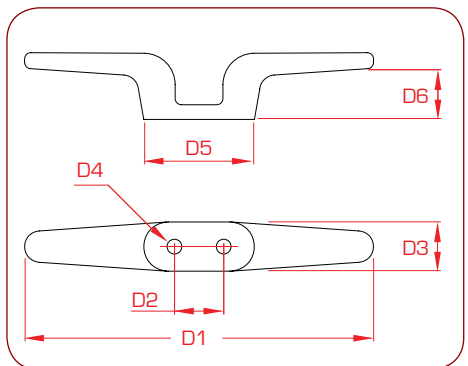
Wall plates are available in three sizes, 100mm, 150mm and 200mm. These plates convert an existing pulley into a wall mounted pulley.

CLEWS & CLEATS

A range of Clews fitted with swivel shackles. Suitable for use with our standard and heavy duty range of pulleys to combine the multiple hanging lines from a flown bar into a single winch line when using drum winches – suitable for wire rope up to 6mm.



Swivel Clews		
T41000	3 Way	SWL 250 Kg
T41100	4 Way	SWL 250 Kg
T41200	5 Way	SWL 250 Kg
T41300	3 Way	SWL 500 Kg
T41400	4 Way	SWL 500 Kg
T41500	5 Way	SWL 500 Kg
T41600	3 Way	SWL 1000 Kg
T41700	4 Way	SWL1000 Kg
T41800	5 Way	SWL1000 Kg
Supplied with a Swivel Shackle and Thimbles		



Flyrail Cleats						
	D1	D2	D3	D4	D5	D6
T41900	440mm	60mm	47mm	12mm	135mm	70mm
T41902	375mm	48mm	40mm	12mm	115mm	40mm
T41904	285mm	40mm	40mm	12mm	90mm	40mm

ROPE & WIRE

Pre-stretched black nylon cord. Suitable for use in sixtrack systems, pulleys and general lashing.

A matt finish improves grip and holds knots well. Available per metre.

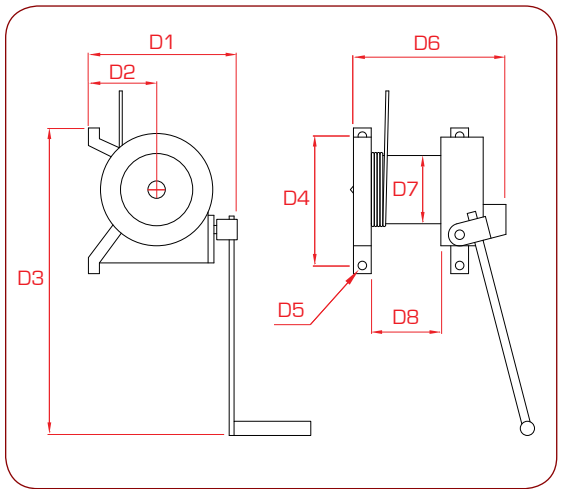


Rope		
Pt No	Diameter	Breaking Load
T63780	Ø 8mm	2000 Kg
T42900	Ø 16mm	5100 Kg

Galvanised and black wire rope for use in flying and static suspension systems constructed as 6x19 elements [7x7 for 2mm] available from 2 to 8mm, suitable for use with our range of gate eyes, barrel strainers, cable grips and thimbles. Available as 100 metre drums.



Wire Rope - 100m Reels							
Galvanised (silver)				Galvanised (black)			
Pt No	Diameter	Kg/100m	SWL	Pt No	Diameter	Kg/100m	SWL
T40500	Ø 2mm	1.52 Kg	60 Kg	T405001	Ø 2mm	1.52 Kg	60 Kg
T40000	Ø 3mm	3.34 Kg	100 Kg	T400001	Ø 3mm	3.34 Kg	100 Kg
T40100	Ø 4mm	5.96 Kg	175 Kg	T401001	Ø 4mm	5.96 Kg	175 Kg
T40200	Ø 5mm	9.29 Kg	275 Kg	T402001	Ø 5mm	9.29 Kg	275 Kg
T40300	Ø 6mm	13.4 Kg	400 Kg	T403001	Ø 6mm	13.4 Kg	400 Kg
T40400	Ø 7mm	18.2 Kg	525 Kg	T404001	Ø 7mm	18.2 Kg	525 Kg
T40600	Ø 8mm	21.5 Kg	650 Kg	T406001	Ø 8mm	21.5 Kg	650 Kg



Worm Gear Winches

	T41850	T41860	T41870
SWL (First Layer)	250 Kg	500 Kg	750 Kg
SWL (Last Layer)	210 Kg	425 Kg	624 Kg
Layers	2	3	4
Wire Rope diameter	Ø 5mm	Ø 6mm	Ø 8mm
Rope Capacity (First Layer)	4.8m	7.9m	9.2m
Rope Capacity Total	11.3m	29.1m	49m
Ratio:	16:1	16:1	25:1
Lift per Turn	20mm	26mm	20mm
Required Effort	9.2 Kg	14.5 Kg	16 Kg
Duty Class to DIN 15020	1Bm	1Bm	1Bm
Kg	12.5 Kg	21 Kg	42 Kg

Dimensions

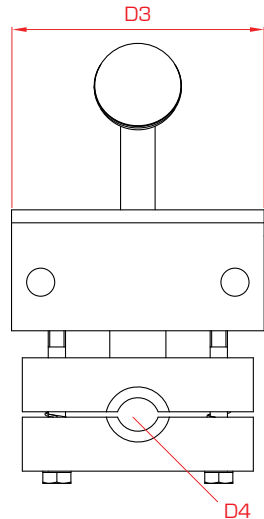
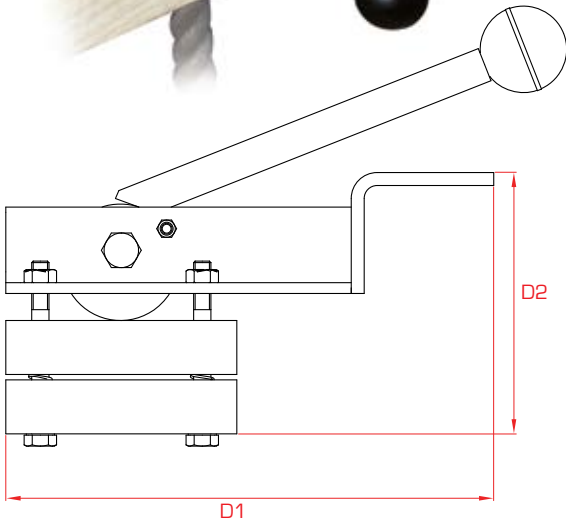
	T41850	T41860	T41870
D1	205mm	241mm	335mm
D2	137mm	190mm	243mm
D3	500mm	690mm	770mm
D4	205mm	250mm	330mm
D5	12mm	14mm	20mm
D6	219mm	282mm	350mm
D7	96mm	125mm	150mm
D8	94mm	138mm	182mm

LEVER ROPE BRAKE

A heavy duty rope brake, made from steel with machined aluminium friction plates shaped to protect the rope and with a sprung loaded handle to ensure free running of counter weight flying lines. The friction plates are adjustable to allow for differences in rope diameter.

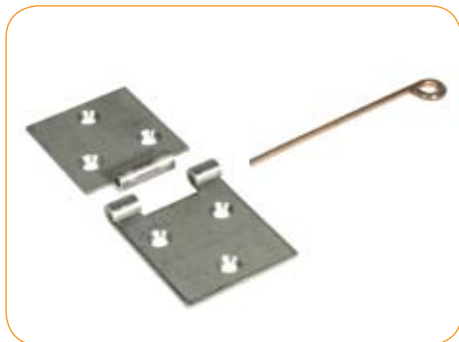


T67300	
D1	226mm
D2	121mm
D3	117mm
D4	To Suit Ø 22mm Rope
Kg	0.76 Kg



Scenery Fixings

The Doughty® range of Scenery Fixings is a large selection of hinges and brackets for the construction of stage scenery and back drops.



Loose Pin Hinges	
T61700	1.5" (38mm)
T61800	1.75" (44mm)
T61900	2" (50mm)
T62100	Loose Pins (pack of 100)

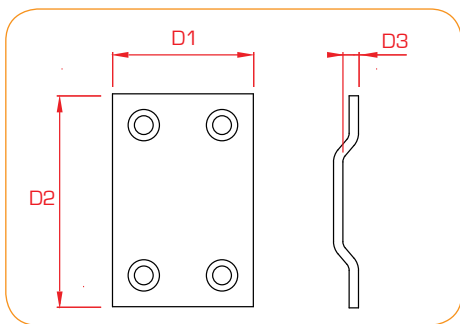
Lift Off Hinges	
T62400	Left Hand 2.5" (63.5mm)
T62401	Right Hand 2.5" (63.5mm)
T62500	Left Hand 3.0" (75mm)
T62501	Right Hand 3.0" (75mm)

Loose Pin Hinges are not supplied with Pins, they should be ordered separately.



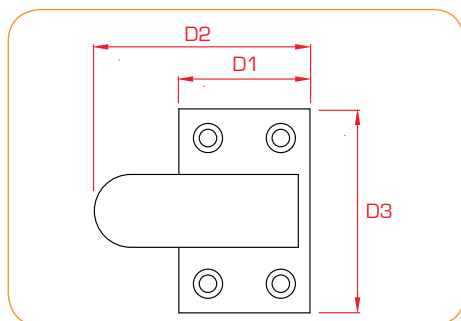
Backflap Hinges	
T62700	1.5" (38mm)
T62800	1.75" (44mm)
T62900	2" (50mm)
T63000	3" (75mm)

Butt Hinges	
T63400	2" (50mm)
T63500	2.5" (63.5mm)
T63600	3" (75mm)
T63700	4.0" (100mm)



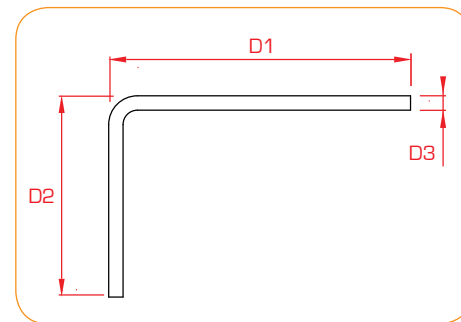
Pelmet Socket

	SWL	D1	D2	D3	Kg
T66300	N/A	45mm	68mm	5mm	0.05 Kg



Pelmet Clip

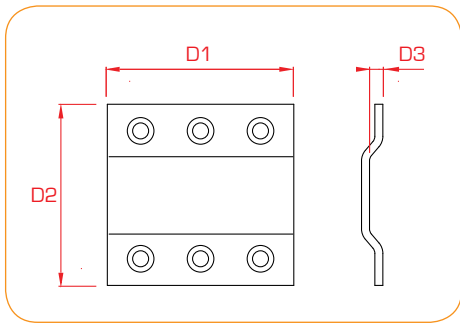
	SWL	D1	D2	D3	Kg
T66200	N/A	45mm	74mm	70mm	0.05 Kg



Pelmet 90° Bracket

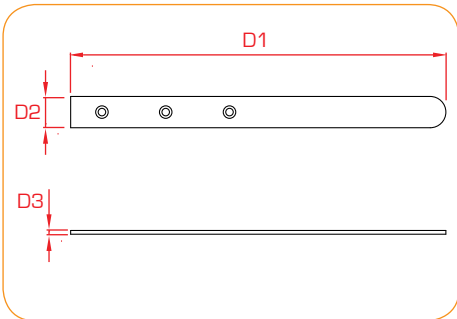
	SWL	D1	D2	D3	Kg
T66100	N/A	63mm	42mm	3mm	0.18 Kg

Pelmet clips and sockets provide a quick means of mounting pictures and various other props to scenery.



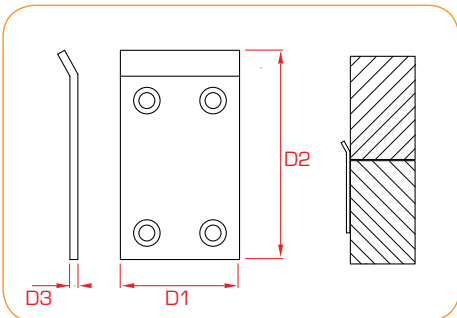
Extension Socket

SWL	D1	D2	D3	Kg	
T66500	N/A	70mm	68mm	5mm	0.18 Kg



Extended Plug

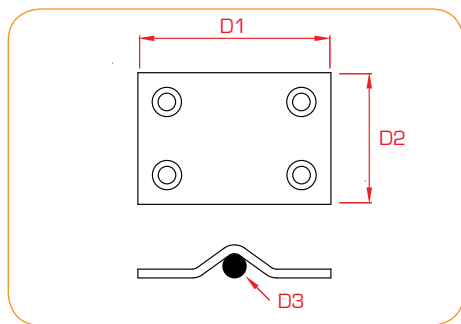
SWL	D1	D2	D3	Kg	
T66400	N/A	300mm	25mm	3mm	0.22 Kg



Joint Stop Plate

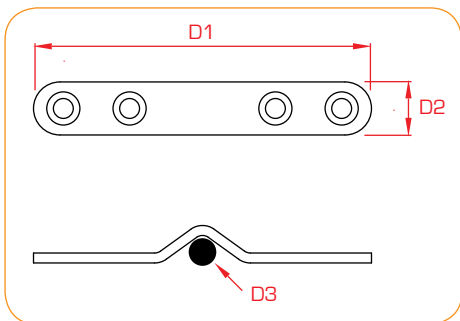
SWL	D1	D2	D3	Kg	
T65000	N/A	45mm	80mm	3mm	0.09 Kg

Extension fittings are used to join two scenery panels edge to edge.



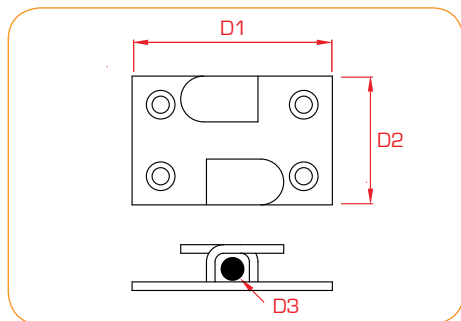
Grummet End Fixing

	SWL	D1	D2	D3	Kg
T65400	N/A	66mm	45mm	8mm	0.07 Kg



Standard Grummet

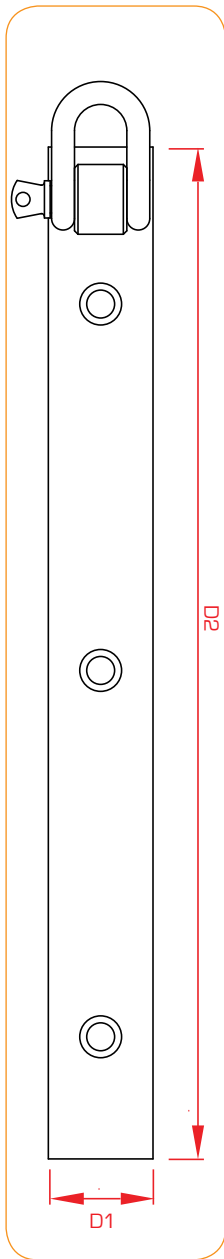
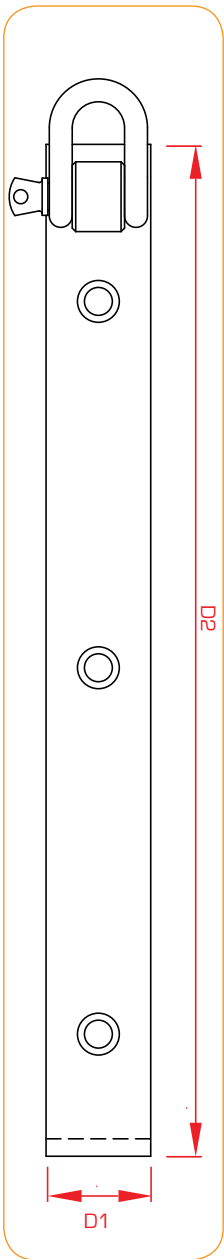
	SWL	D1	D2	D3	Kg
T65300	N/A	100mm	16mm	>8mm	0.04 Kg



Grummet Quick Release

	SWL	D1	D2	D3	Kg
T65500	N/A	70mm	45mm	8mm	0.10 Kg

Grummetts are generally used to guide flying wires and lines behind scenery panels.



Long Flying Iron - Lipped

Long Flying Iron - Flat

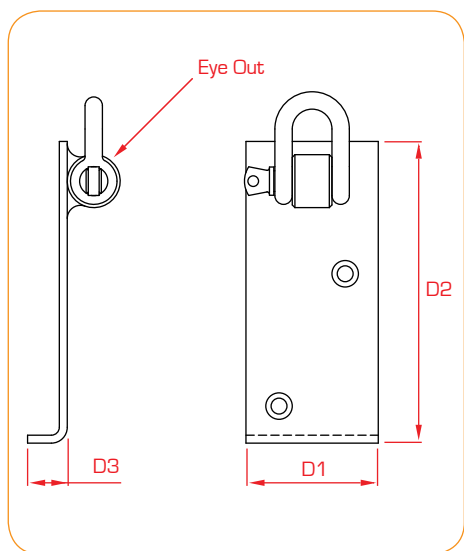
	D1	D2
--	----	----

	D1	D2
--	----	----

T64200	30mm	300mm
--------	------	-------

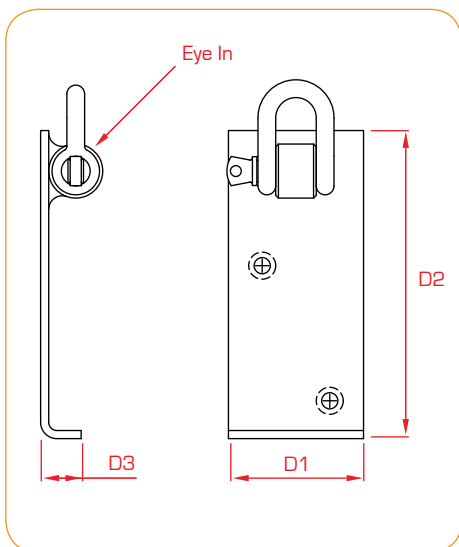
T64300	30mm	300mm
--------	------	-------

Manufactured from mild steel and zinc plated, Flying Irons are used to fly scenery panels. Supplied with an MB Shackle.



Short Hanging Iron - Eye Out

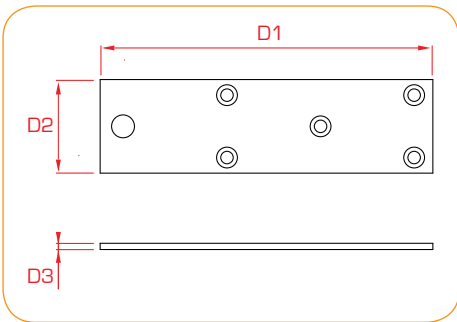
	SWL	D1	D2	D3	Kg
T64000	N/A	50mm	115mm	15mm	0.22 Kg



Short Hanging Iron - Eye In

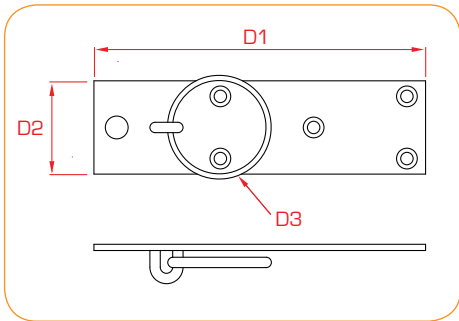
	SWL	D1	D2	D3	Kg
T64100	N/A	50mm	115mm	15mm	0.22 Kg

Manufactured from mild steel and zinc plated, Flying Irons are used to fly scenery panels. Supplied with an M8 Shackle.



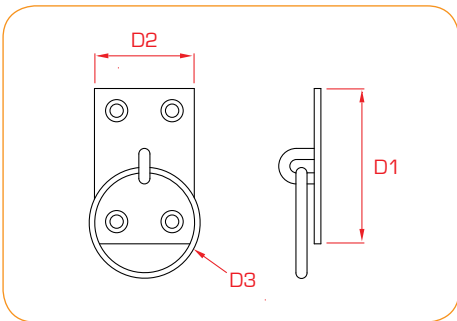
Ceiling Plate

	SWL	D1	D2	D3	Kg
T65600:	N/A	160 mm	45 mm	3 mm	0.04 Kg



Ceiling Plate with Ring

	SWL	D1	D2	D3	Kg
T65700	N/A	160mm	45mm	Ø45mm	0.04 Kg



Ring Plate

	SWL	D1	D2	D3	Kg
T64900	N/A	70mm	45mm	Ø45mm	0.01 Kg



Stud Plate

T64600

M10 x 50 Stud



Peg Plate

T64700

M10 x 50 Stud



Boss Plate

T64800

M10 Threaded Boss



Top Batten Clip

T67000

Fits up to 4" x 2" Battens



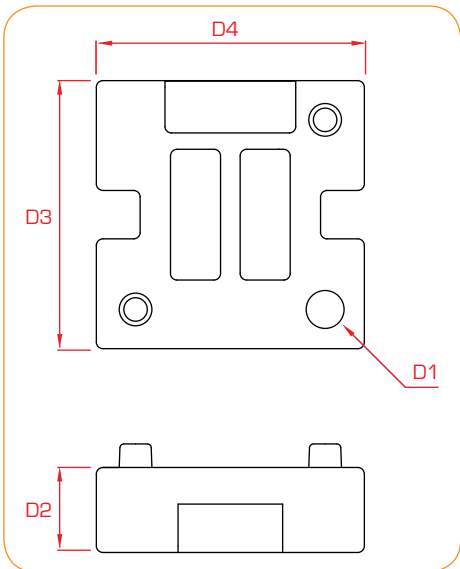
Coach Eye

T59000



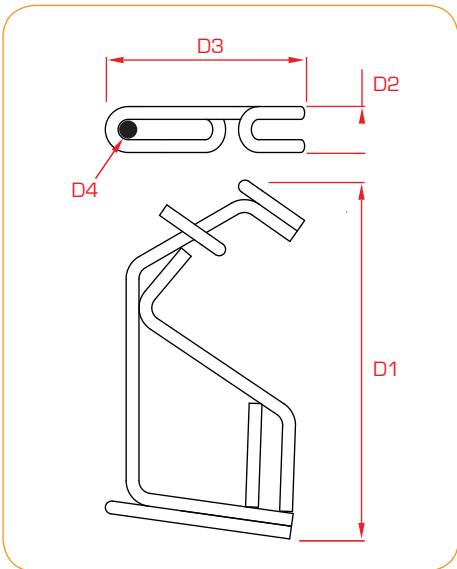
Stage Screw

T60900



Brace Weight

	D1	D2	D3	D4	Kg
T61100	29mm	65mm	205mm	205mm	12.5 Kg



Rope Brake

	D1	D2	D3	D4	Kg
T67200	29mm	65mm	205mm	Ø19mm	12.5 Kg



Fixed Scenery Brace

T60600	2.0m	1.77 Kg

An inexpensive lightweight all steel scenery brace



Extending Scenery Brace

T60000	1.0 - 2.0m	2.00 Kg
T60100	1.5 - 3.0m	2.86 Kg
T60200	2.0 - 4.0m	3.73 Kg

Lightweight extending steel braces with a powder painted outer finish and a zinc plated inner.

SWIVEL ARMS

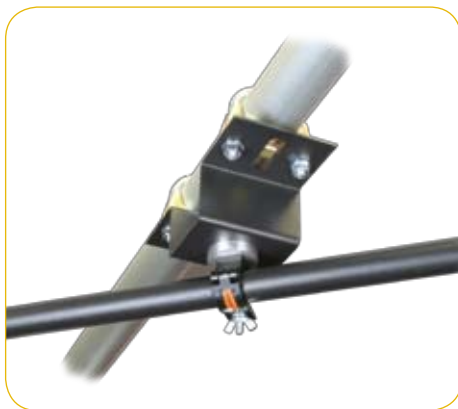
A range of 360° swivel arm fittings to position leg/wing curtains or light scenery at any angle desired, traditionally used to aid masking of wing space on stage from audience sight lines.

Swivel Arms use a pair of sprung loaded toothed plates machined to provide fine angle adjustment.



Swivel Arm Ceiling Mounted

T84500	fixes directly to a solid surface
T84501	supplied with Ø25mm x 2.0m tube



Swivel Arm Barrel Mounted

T84505	supplied with 48mm 'U' bolts
T84506	supplied with Ø25mm x 2.0m tube



Swivel Arm Girder Mounted

T84510	supplied with 2x lindaptors
T84511	supplied with Ø25mm x 2.0m tube



Studio Rail Swivel Arm

T84515	supplied with 6 wheel carriage
T84516	supplied with Ø25mm x 2.0m tube

BARREL RECEIVER

The Barrel Receivers are designed to accept standard 48.3mm or 50.8mm barrel.

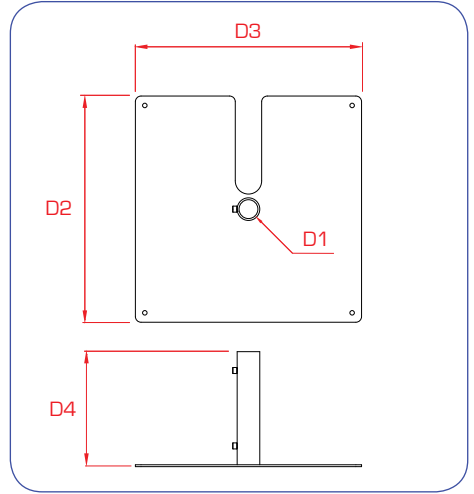
Available with either M10 or M12 mounting point.

A perfect complement to the Doughty® Tank Trap T54250.



Barrel Receiver			
Part No	Size	Fixing	Kg
T50820	Ø48mm	M10	0.45 Kg
T50825	Ø48mm	M12	0.45 Kg
T50830	Ø51mm	M10	0.45 Kg
T50835	Ø51mm	M12	0.45 Kg

FLOOR & WALL PLATES

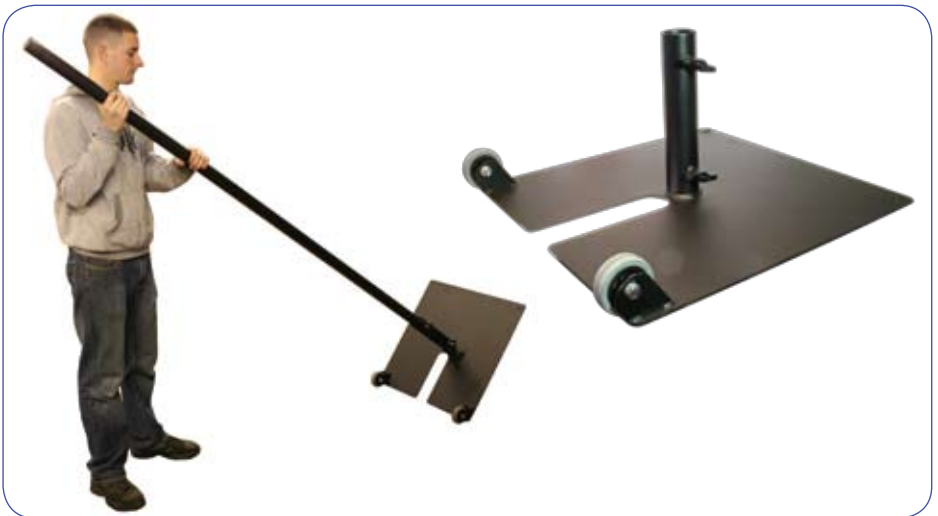


Standard Tank Trap

	D1	D2	D3	D4	Kg
T54250	50mm	600mm	600mm	305mm	16.14 Kg

To suit 48mm Aluminium barrel or Galvanised scaffold poles

Supplied with cut out for compact storage/stacking



Two Wheel Tank Trap

T54255	Dimension are as per the Standard Tank Trap (T54250)
--------	--

Fitted with two wheels this tank trap can be easily manoeuvred by tilting back and wheeling into position.

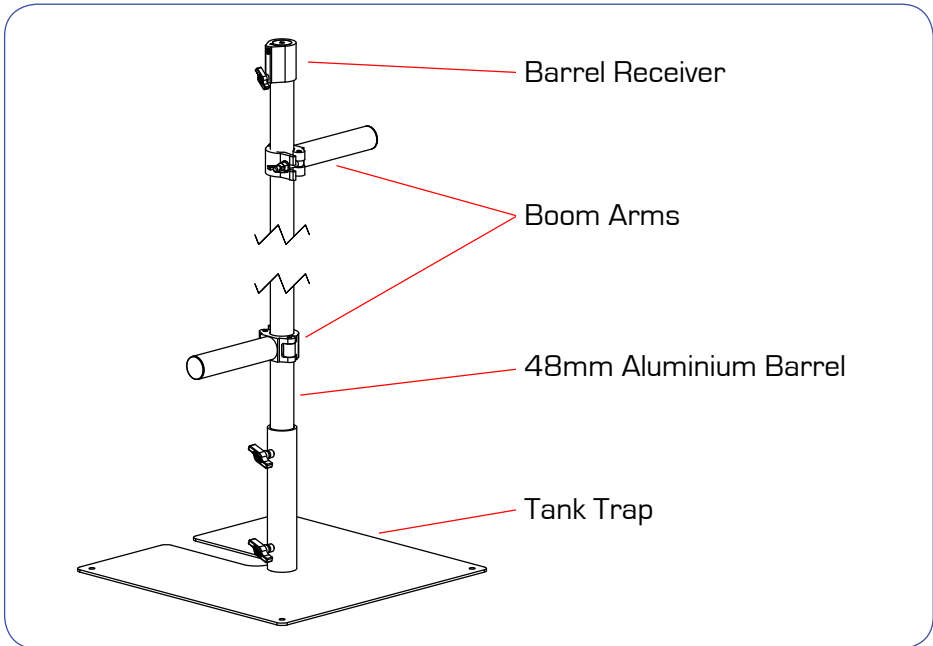


Tank Trap with Castors

T54260

Dimension are as per the Standard Tank Trap (T54250)

Supplied without stacking slot to increase stability when on castors. Two braked & two non-braked castors fitted.





16mm Pin Wall Plate

G1405 0.46 Kg

A 100mm x 100mm plate with 16mm spigot and corner fixing holes.



16mm Receiver Wall Plate

G1128 0.37 Kg

A 100mm x 100mm plate with a 16mm receiver and corner fixing holes



Turtle Plate

T54200 2.40 Kg

A 225mm x 225mm turtle plate with a 29mm receiver and corner fixing holes



Junior Wall Plate

G1129 0.85 Kg

A 120mm x 120mm plate with a 29mm receiver and corner fixing holes



Par Can Floor Plates

T54150

1.28 Kg

A 250mm x 250mm floor plate to suit a standard T20100 Hook Clamp



Nipper Stand

T54100

1.28 Kg

A low folding cast aluminium stand with 29mm receiver

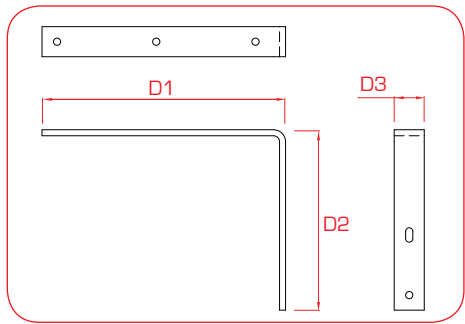
WALL BRACKETS

The Wall Bracket range is a comprehensive range of steel bracketry designed primarily to be wall mounted, allowing fixtures and tubes to be suspended from a vertical surface.



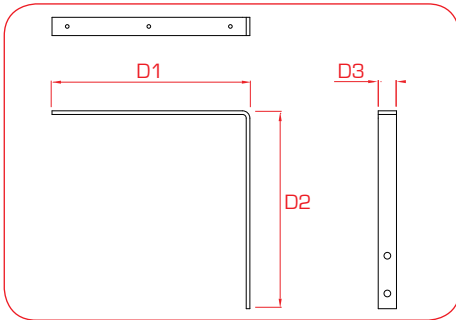


[accepts T30800 saddle clamp]



Heavy Duty Wall Bracket - (Accepts T30800 Saddle Clamp)

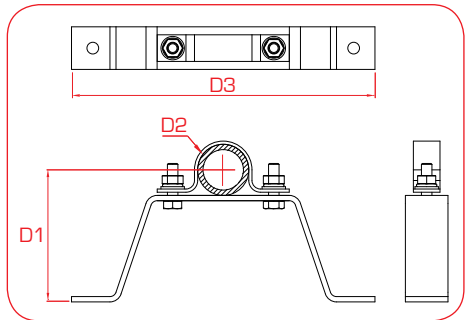
	SWL	D1	D2	D3	Kg
T33900	20 Kg	405mm	300mm	50mm	2.60 Kg



[accepts T56600 48 mm 'U' bolt]

Light Duty Wall Bracket - (Accepts 48mm 'U' Bolt)

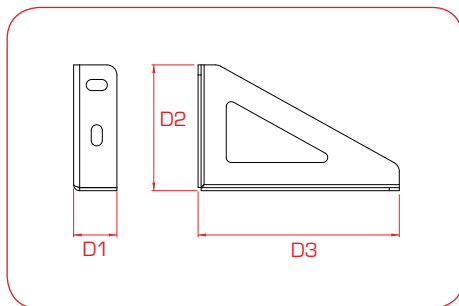
	SWL	D1	D2	D3	Kg
T33800	3 Kg	325mm	325mm	30mm	0.85 Kg



Pipe to Wall Brackets

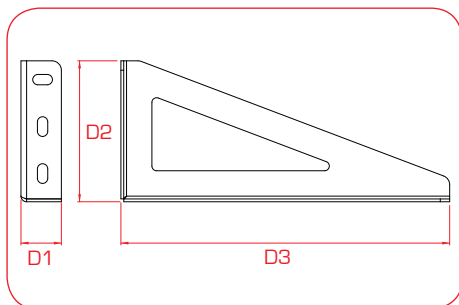
	SWL	D1	D2	D3	Kg
T33300	30 Kg	325mm	Ø48mm	400mm	1.48 Kg
T33310	60 Kg	125mm	Ø48mm	285mm	0.83 Kg

The Slotted Wall Bracket has been designed to be compatible with the slots featured in unistrut channels



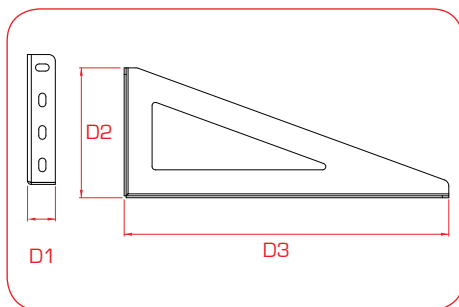
Slotted Wall Bracket 200mm

	SWL	D1	D2	D3	Kg
T84105	25 Kg	43mm	125mm	200mm	0.52 Kg



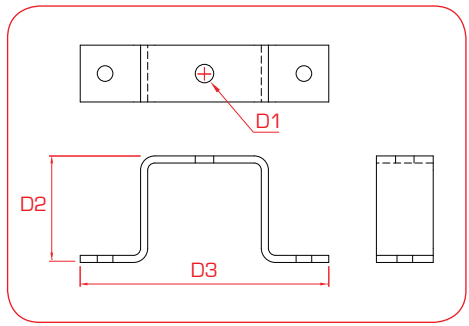
Slotted Wall Bracket 350mm

	SWL	D1	D2	D3	Kg
T84106	25 Kg	43mm	150mm	350mm	0.90 Kg



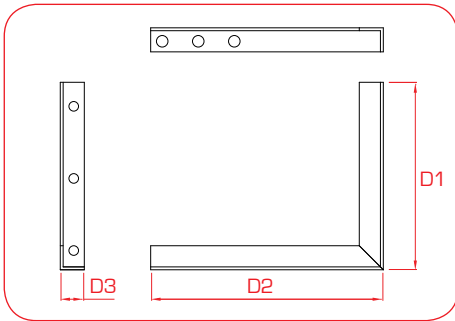
Slotted Wall Bracket 500mm

	SWL	D1	D2	D3	Kg
T84107	25 Kg	43mm	200mm	500mm	1.50 Kg



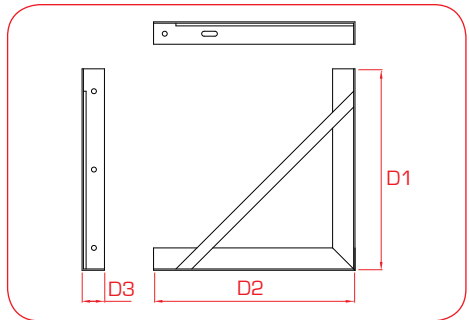
Ceiling Saddle

	SWL	D1	D2	D3	Kg
T33700	160 Kg	13mm	75mm	175mm	0.44 Kg



Face Fixing Bracket

	SWL	D1	D2	D3	Kg
T34100	15 Kg	195mm	242mm	25mm	0.43 Kg

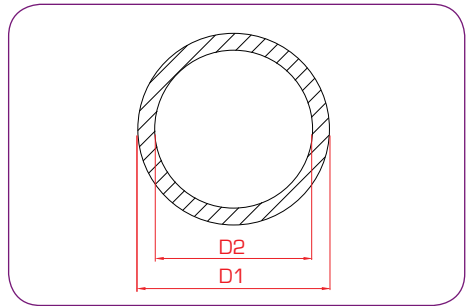


Angle Iron Bracket - (Accepts T30800 Saddle Clamp)

	SWL	D1	D2	D3	Kg
T34000	30 Kg	450mm	450mm	50mm	2.72 Kg

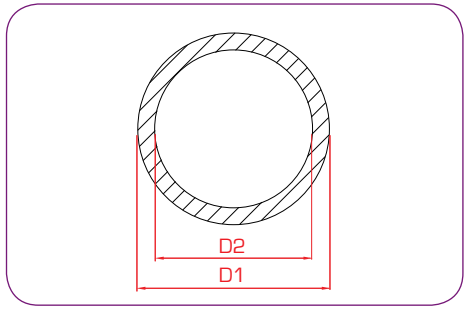
PIPES & TUBES

A selection of Aluminium and Galvanised tubes supplied in full or cut lengths. Specified lengths are available on request.



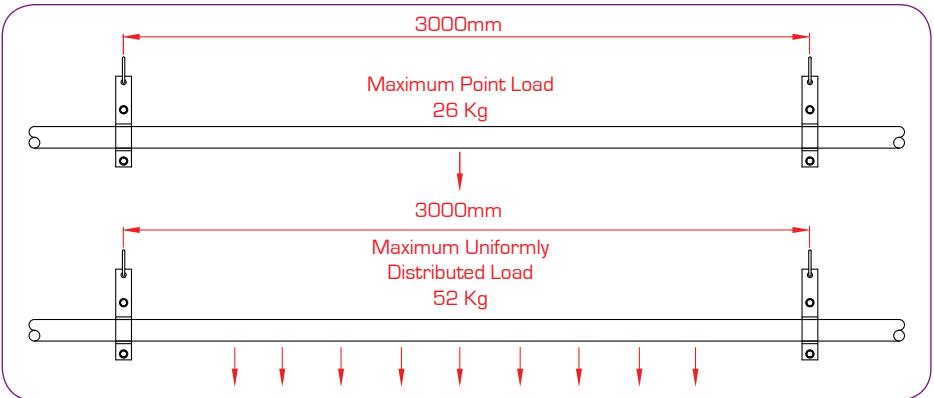
Aluminium Barrel - Natural (silver)

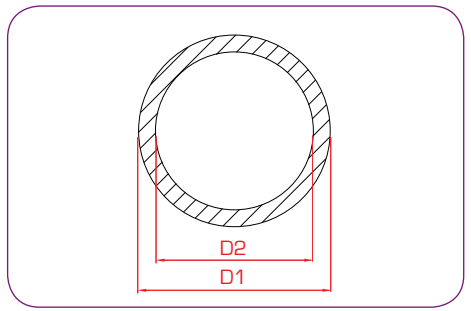
	Length	D1	D2	Kg
T24000	6.1M	48.3mm	39.8mm	9.76 Kg
T24003	3.0M	48.3mm	39.8mm	4.80 Kg
T24002	2.0M	48.3mm	39.8mm	3.20 Kg
T24001	1.0M	48.3mm	39.8mm	1.60 Kg
T24050	2 x 3.0M with Joiner			



Aluminium Barrel - Black Anodise

	Length	D1	D2	Kg
T2400001	6.1M	48.3mm	39.8mm	9.76 Kg
T2400301	3.0M	48.3mm	39.8mm	4.80 Kg
T2400201	2.0M	48.3mm	39.8mm	3.20 Kg
T2400101	1.0M	48.3mm	39.8mm	1.60 Kg
T2405001	2 x 3.0M with Joiner			





Galvanised Steel Tube

	Length	D1	D2	Kg
T24010	6.1M	48.3mm	40.3mm	26.7 Kg
T24015:	2 x 3.0M with Joiner			
Other sizes available on request				



SCAFFOLD CLAMPS

Suitable for 48mm to 51mm diameter steel or aluminium tube, these clamps are useful for quickly creating grids, frames and towers for lighting or scenery from standard tube. They can either be used for temporary or permanent fixtures, supplied with an electroplate finish.





Swivel Coupler (Pressed Steel)

T24800

0.90 Kg

Ø48 - 51mm



Double Coupler (Pressed Steel)

T24900

1.02 Kg

Ø48 - 51mm



Swivel Coupler (Forged)

T24801

1.18 Kg

Ø48 - 51mm



Double Coupler (Forged)

T24901

1.12 Kg

Ø48 - 51mm



Fixed Finial Coupler

T24910

0.73 Kg

Ø48 - 51mm



Parallel Coupler

T24905

0.77 Kg

Ø48 - 51mm



Base Plate

T25200

2.20 Kg

225 x 225mm (8.9"x8.9")

Ø48 - 51mm



Tube Clip Crossover Joint

T25110

0.49 Kg

Ø48 - 51mm



Joint Pin

T25100

0.85 Kg

Ø48 - 51mm



Solid Joiner

T25108

2.64 Kg

200mm (7.9") Long

Ø48 - 51mm



Pipe to Pipe Coupler

T30100

Ø48mm

T30101

Ø38mm



Scaffold Spanner

T25120

0.64 Kg

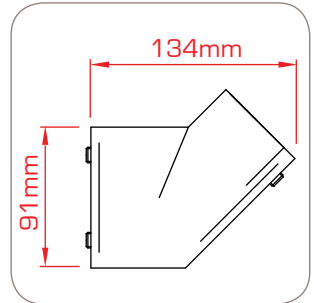
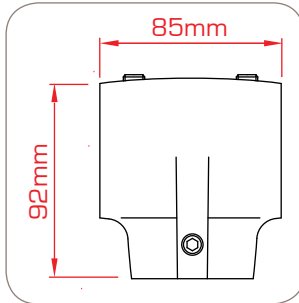
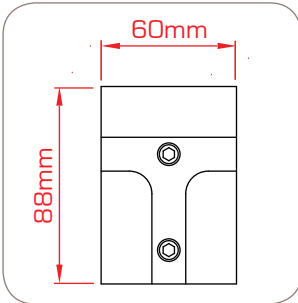
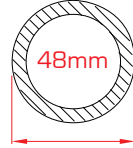
To Suit 21mm Hex Nuts

SPEEDRAIL®

Speedrail® is a range of Magnesium Alloy pipe fittings which are used to create handrails, guards and walkways etc.

Main features:

- High corrosion resistance
- Up to 70% lighter than iron fittings
- 100% salvageable & reusable
- Comparable strength to iron fittings
- All fittings shown here are to suit 48mm tube. Other sizes are available, please contact our technical sales team



Short Tee (S)

Long Tee

Angle Tee 45°

T194005E

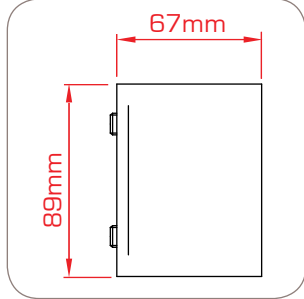
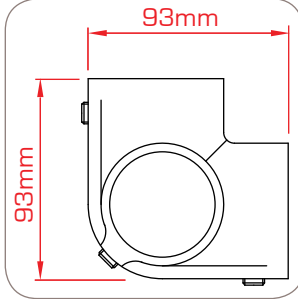
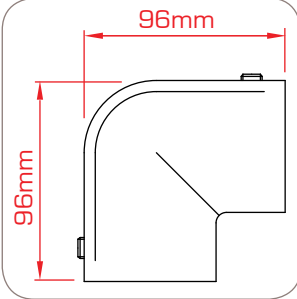
0.18 Kg

T194005

0.29 Kg

T194006

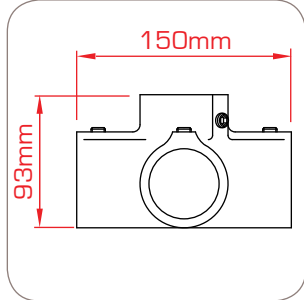
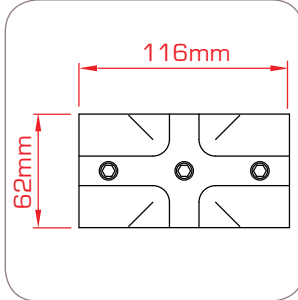
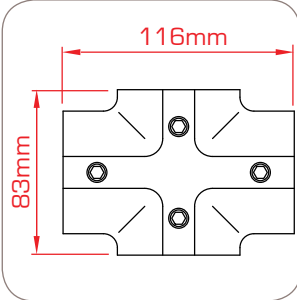
0.41 Kg



90° Elbow
T194003 0.28 Kg

3 Way 90° Elbow
T194009 0.33 Kg

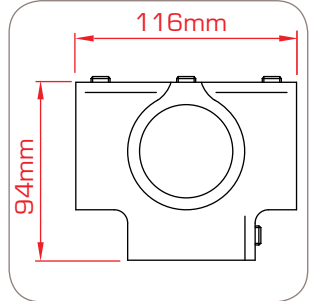
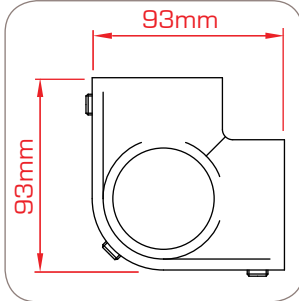
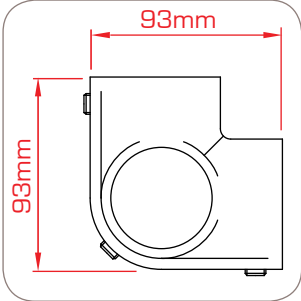
Sleeve Joint
T194070 0.26 Kg



Two Socket Cross
T194007 0.35 Kg

Two Socket Cross (S)
T194007E 0.28 Kg

Four Way Cross
T194106E 0.72 Kg



Corner with Tube (S)

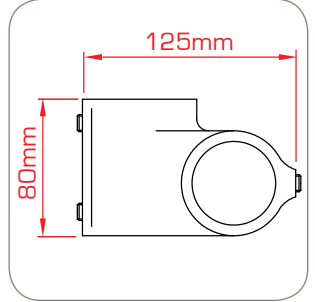
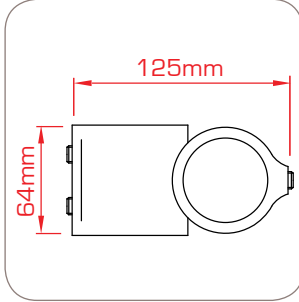
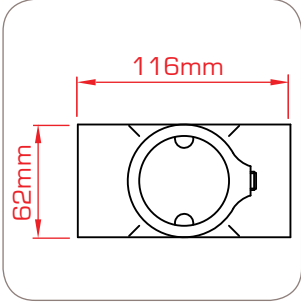
Corner with Tube

Side Outlet Tee

T194011E 0.25 Kg

T194011

T194013 0.39 Kg



Side Outlet Tee (S)

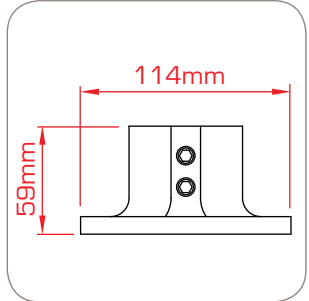
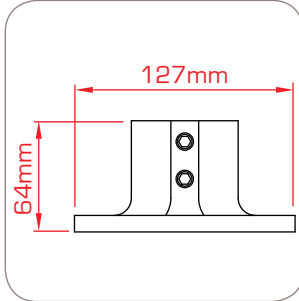
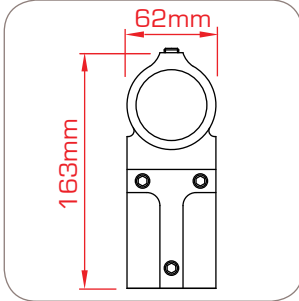
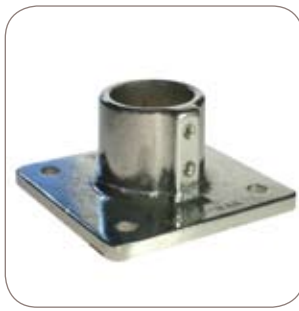
Short 90° Crossover

Long 90° Crossover

T194013E 0.31 Kg

T194012 0.37 Kg

T194010 0.44 Kg



Combo Socket

Floor Flange

Base Flange

T194104

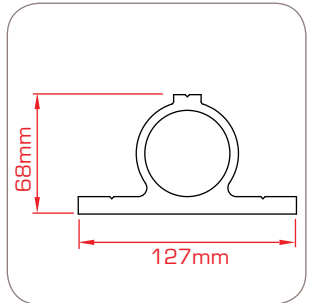
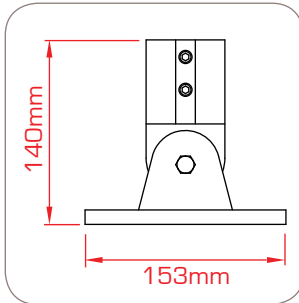
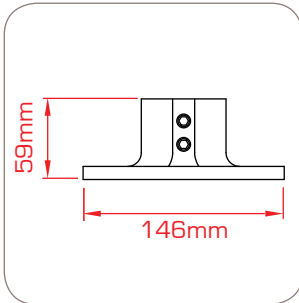
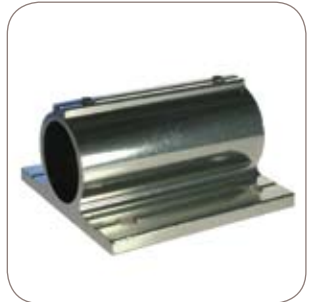
0.55 Kg

T194590

0.50 Kg

T194042

0.35 Kg



Flange

Adjustable Flange

Wall Flange

T194046

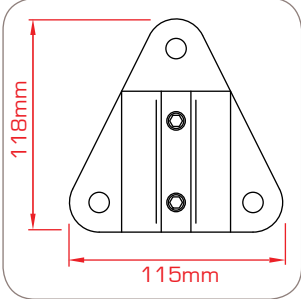
0.27 Kg

T194046ADJ

0.82 Kg

T194595

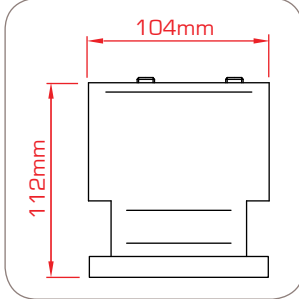
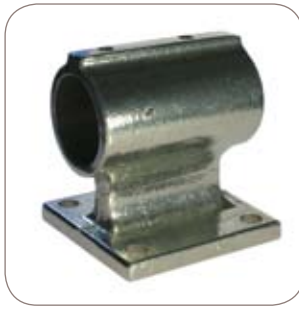
0.70 Kg



Side Palm Fixing

T194050

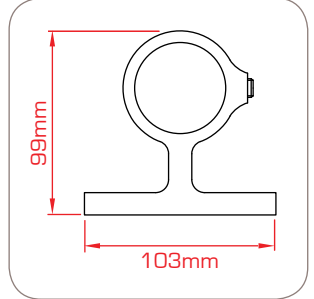
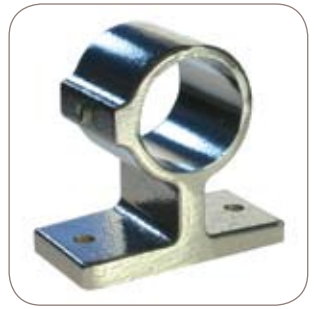
0.35 Kg



Railing Side Support

T194054/3

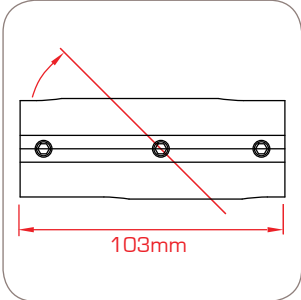
0.79 Kg



Support Bracket

T194055

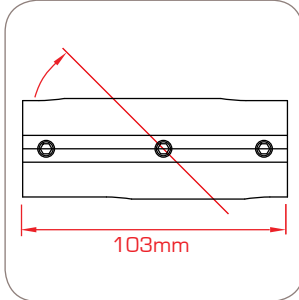
0.30 Kg



Angle Cross 10° - 35°

T194021-35

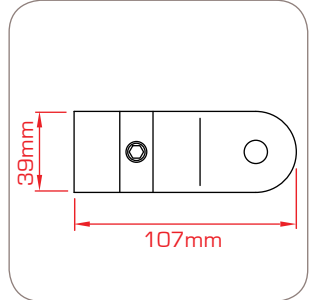
0.44 Kg



Angle Cross 30° - 45°

T194021-45

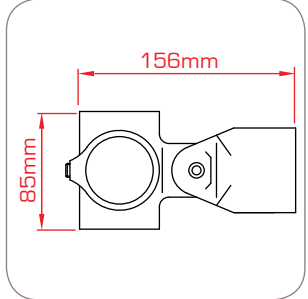
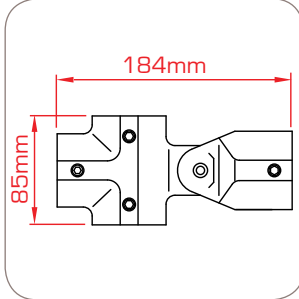
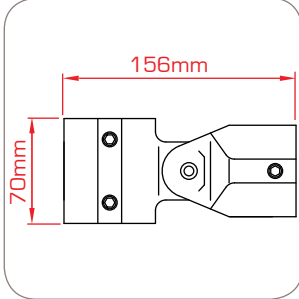
0.25 Kg



Male Swivel Section

T194017EM

0.14 Kg



Swivel Elbow Tee Combo

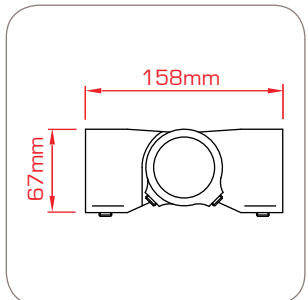
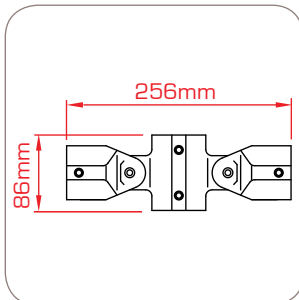
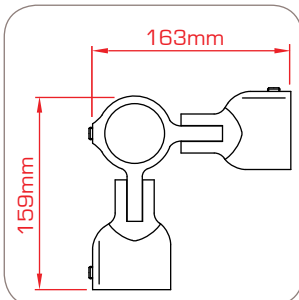
Swivel Tee Combo

Swivel Side Out Combo

T194017ADJ 0.49 Kg

T194023 0.52 Kg

T194025 0.52 Kg



Swivel Dbl-side Combo

Double Swivel Combo

Short Swivel Tee

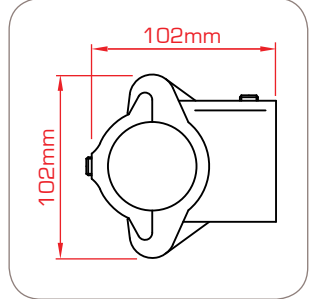
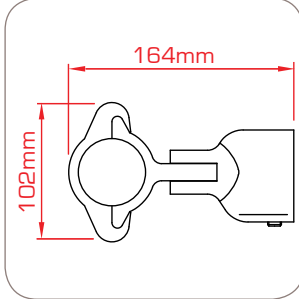
T194027 0.75 Kg

T194019 0.75 Kg

T194030C 0.54 Kg

Modular Fittings

Designed to fit existing structures



Modular Swivel Tee

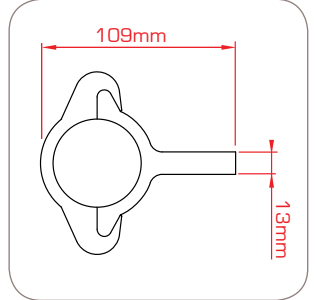
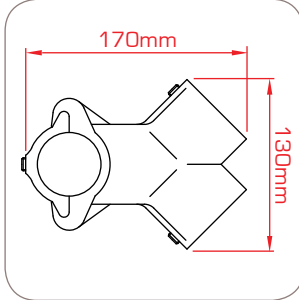
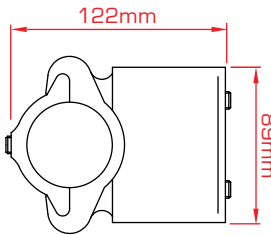
Modular Tee

T194017S

0.80 Kg

T194002S

0.53 Kg



Modular 90° Crossover

Modular Corner

Modular Male Tee

T194014S

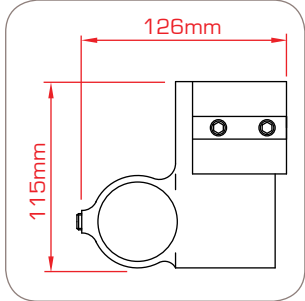
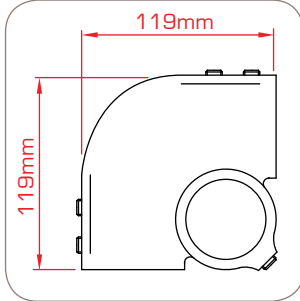
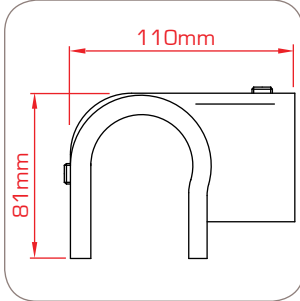
0.64 Kg

T194022S

0.25 Kg

T194017SM

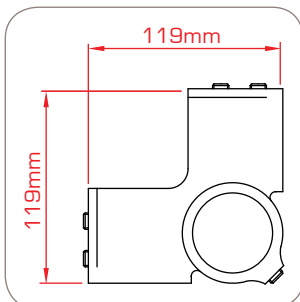
0.49 Kg



Clamp on Tee
T194016 0.35 Kg

Outside Corner
T194020 0.66 Kg

Rackmaster End
T194100 0.77 Kg



Spare Allen Screw
T194120 Plated

Rackmaster Centre
T194102 0.48 Kg

Stop End (PVC)
T13300 Grey
T13301 Black

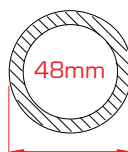
Allen Key
T194122

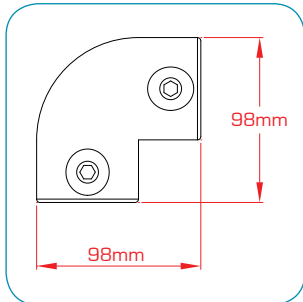
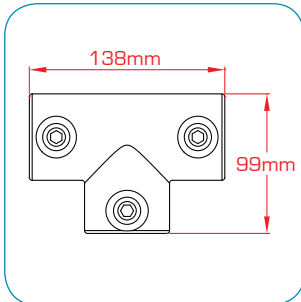
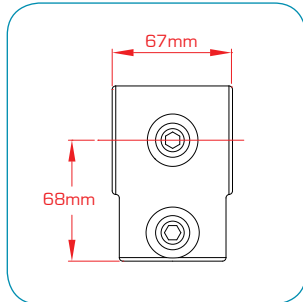
PIPECLAMPS

Pipeclamp fittings are malleable iron castings with a galvanised finish to BS729. Pipeclamp standard fittings are available to suit pipes with an external diameter from 21mm to 60mm.

Main features:

- High corrosion resistance
- 100% salvageable & reusable
- All fittings shown here are to suit 48mm tube. Other sizes are available, please contact our technical sales team

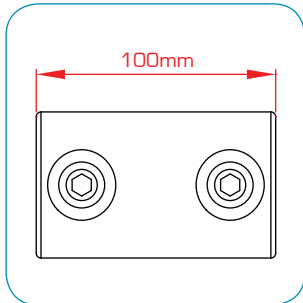
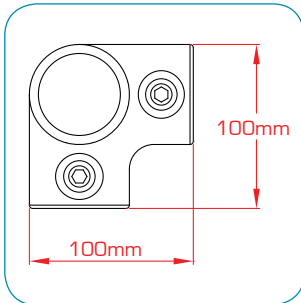
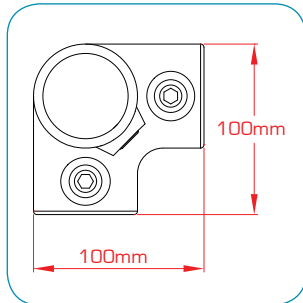




Short Tee
T10100 0.53 Kg

Long Tee
T10400 1.04 Kg

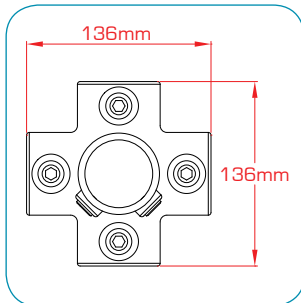
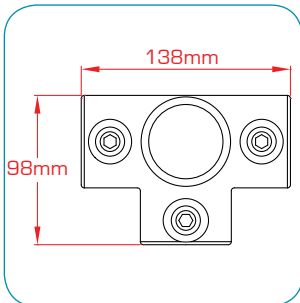
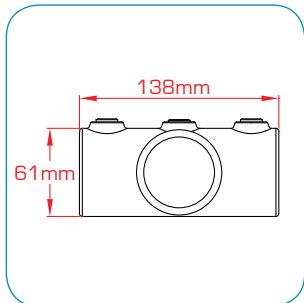
90° Elbow
T12500 0.87 Kg



3 Way 90° Elbow
T12800 1.18 Kg

Corner with Tube
T11600 0.92 Kg

Sleeve Joint
T14900 0.72 Kg



Two Socket Cross

Side Outlet Tee

Four Way Cross

T11900

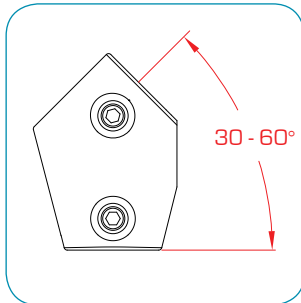
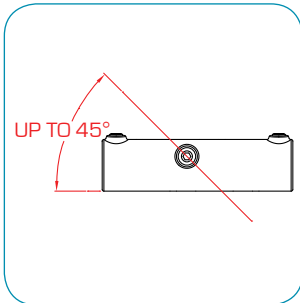
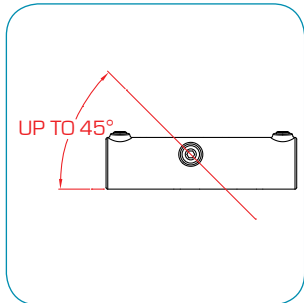
0.80 Kg

T17600

1.22 Kg

T15800

1.58 Kg



Angle Cross slopes to 45°

Angle Tee slopes to 45°

Adj Short Tee 30 - 60°

T12600

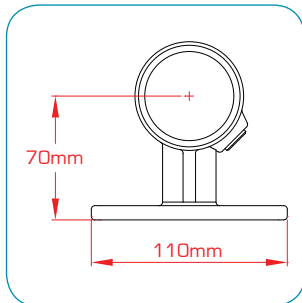
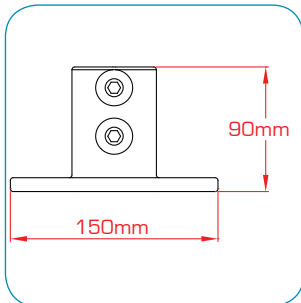
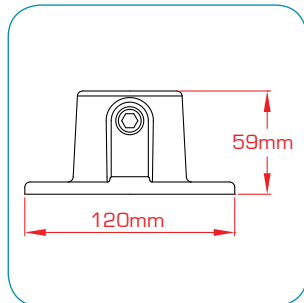
1.62 Kg

T12700

1.21 Kg

T12900

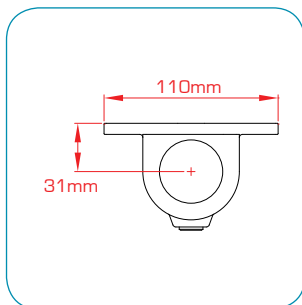
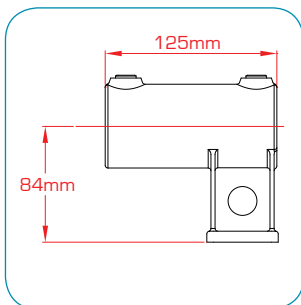
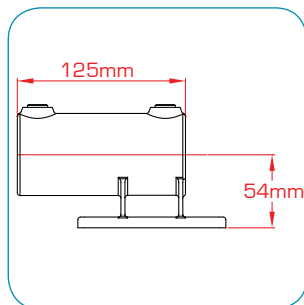
0.97 Kg



Base Flange
T13100 0.85 Kg

Railing Base Flange
T13200 1.27 Kg

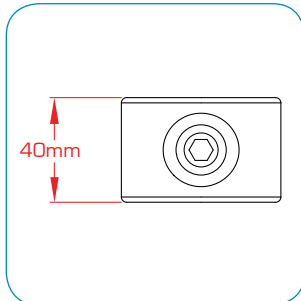
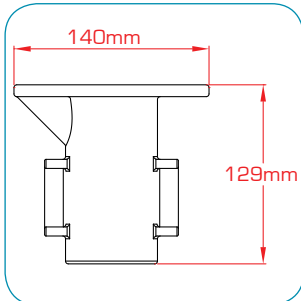
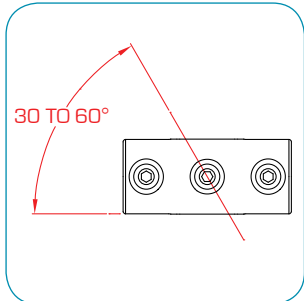
Handrail Bracket
T14300 0.63 Kg



Railing Side Support (V)
T14400 1.50 Kg

Railing Side Support (H)
T14500 1.02 Kg

Side Palm Fixing
T14600 1.04 Kg



Adj Two Socket Cross

Ground Socket

Locking Collar

T13000

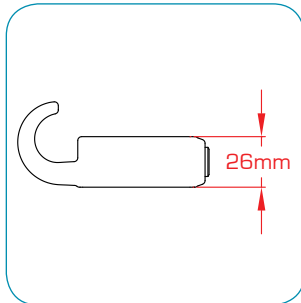
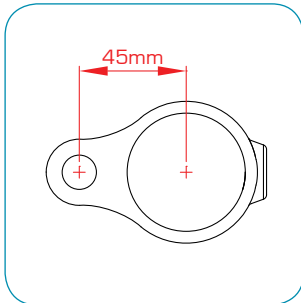
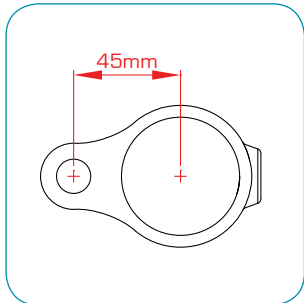
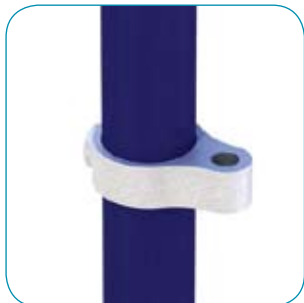
1.56 Kg

T13400

1.95 Kg

T17900

0.20 Kg



Gate Eye

Gate Hinge

Hook

T13800

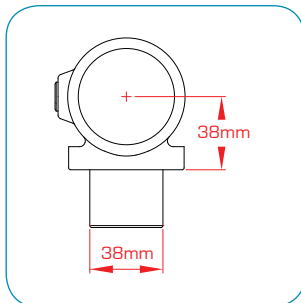
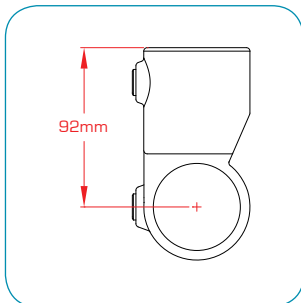
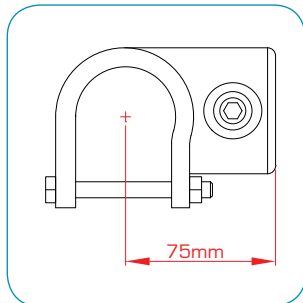
0.26 Kg

T14000

0.30 Kg

T18200

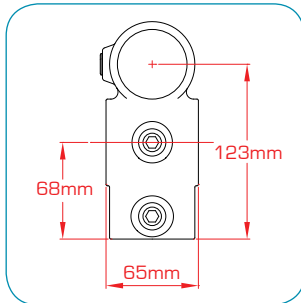
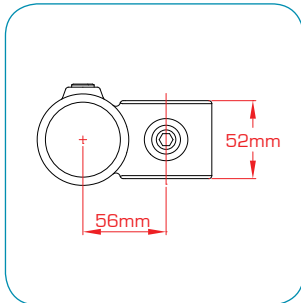
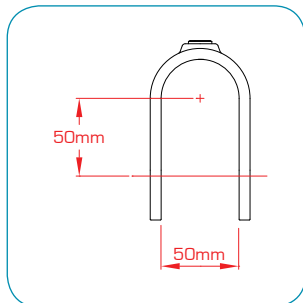
0.34 Kg



Clamp on Tee
T13500 0.57 Kg

Short Tee Swivel
T14800 1.15 Kg

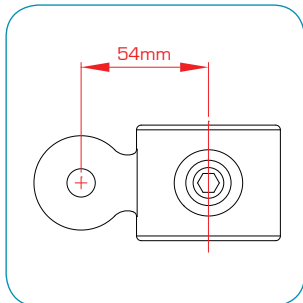
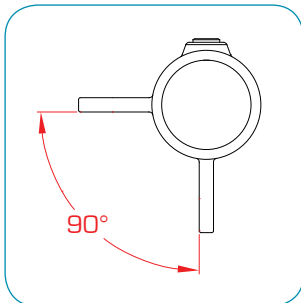
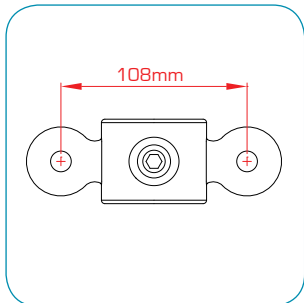
Internal Swivel Tee
T14700 0.61 Kg



Clamp on Crossover
T16000 0.62 Kg

90° Crossover
T16100 0.64 Kg

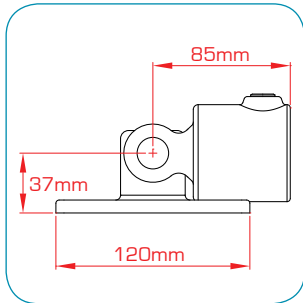
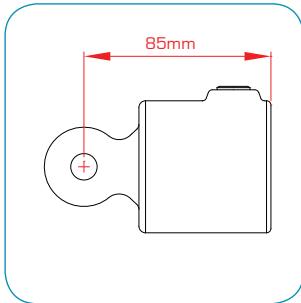
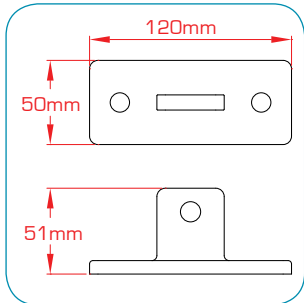
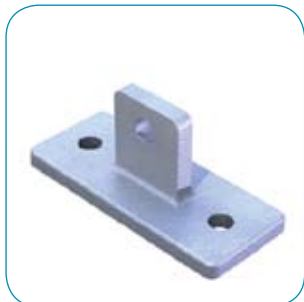
Combination Socket
T16500 1.02 Kg



Double Male
T16700M 0.46 Kg

Double 90° Male
T16800M 0.47 Kg

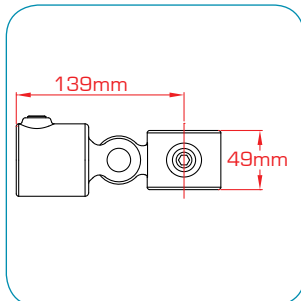
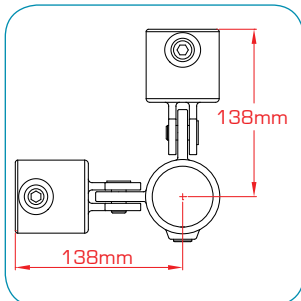
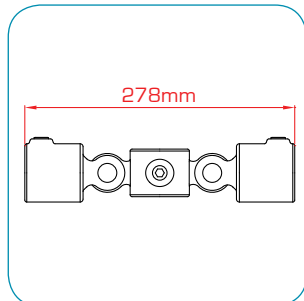
Single Male
T17300M 0.30 Kg



Male Base
T16900M 0.41 Kg

Female
T17300F 0.52 Kg

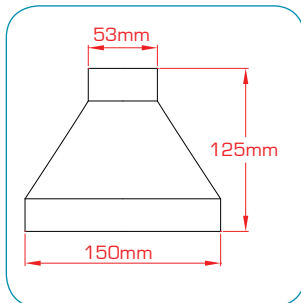
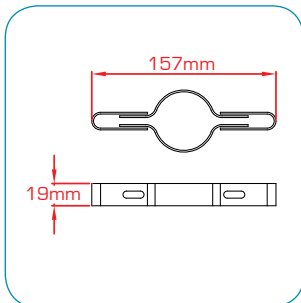
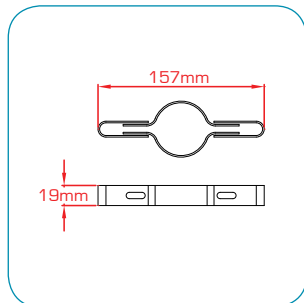
Swivel Base
T16900 0.99 Kg



Double Swivel
T16700 1.72 Kg

90° Double Swivel
T16800 1.72 Kg

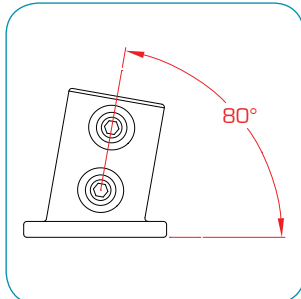
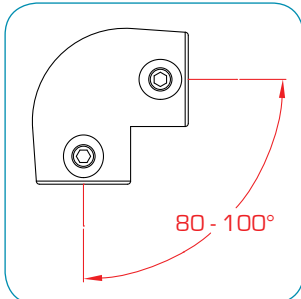
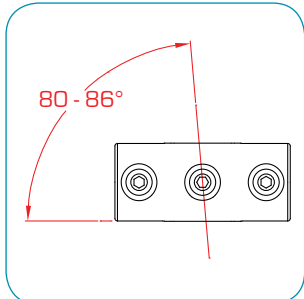
Single Swivel
T17300 0.98 Kg



Single Mesh Clip
T17000 0.08 Kg

Double Mesh Clip
T17100 0.15 Kg

Base Weather Shield
T18250 0.48 Kg



Angled Two Socket Cross

Angled Elbow

Angled Base Flange

T17625

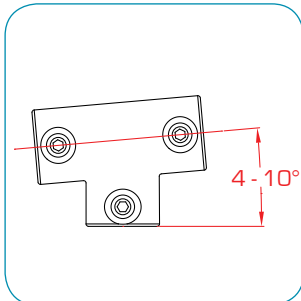
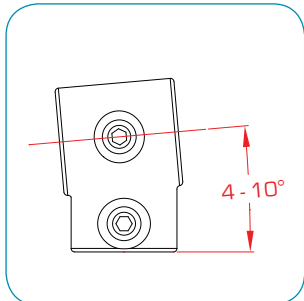
0.94 Kg

T17629

0.93 Kg

T17622

1.21 Kg



Angled Short Tee

Angled Long Tee

Stop End (PVC)

T17620

0.72 Kg

T17621

1.28 Kg

T13300

Grey

T13301

Black



Grub Screw

T19300



Ratchet Key

T19100

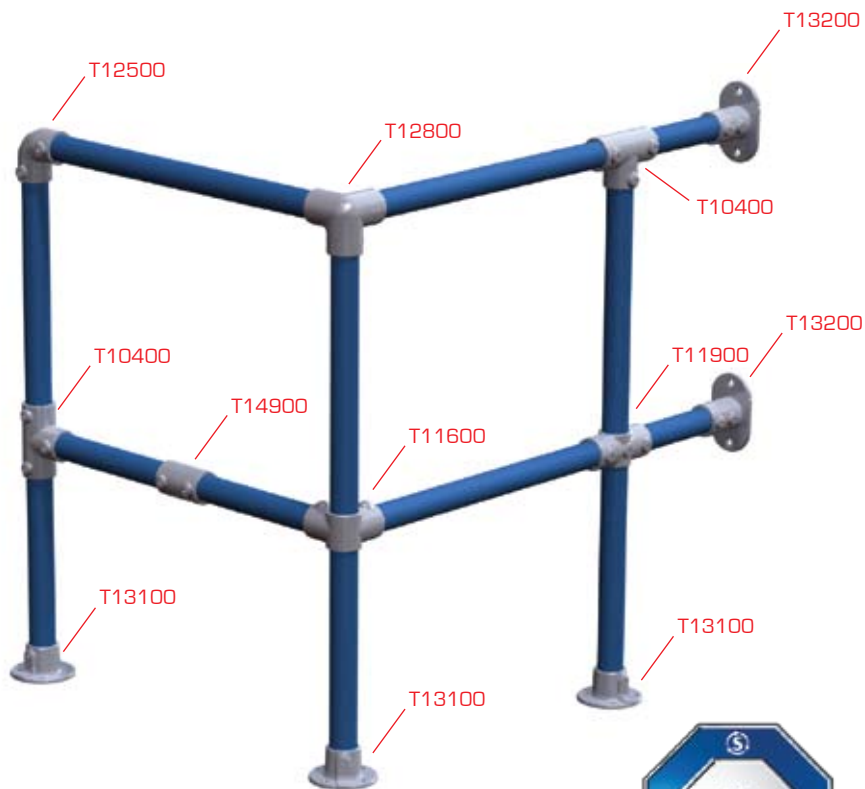
6 & 8mm



Allen Key

T19200

8mm



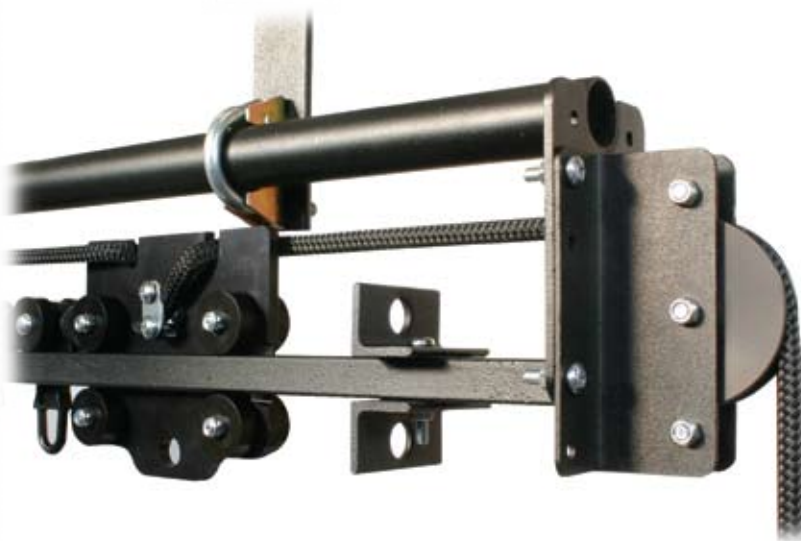
SIX TRACK

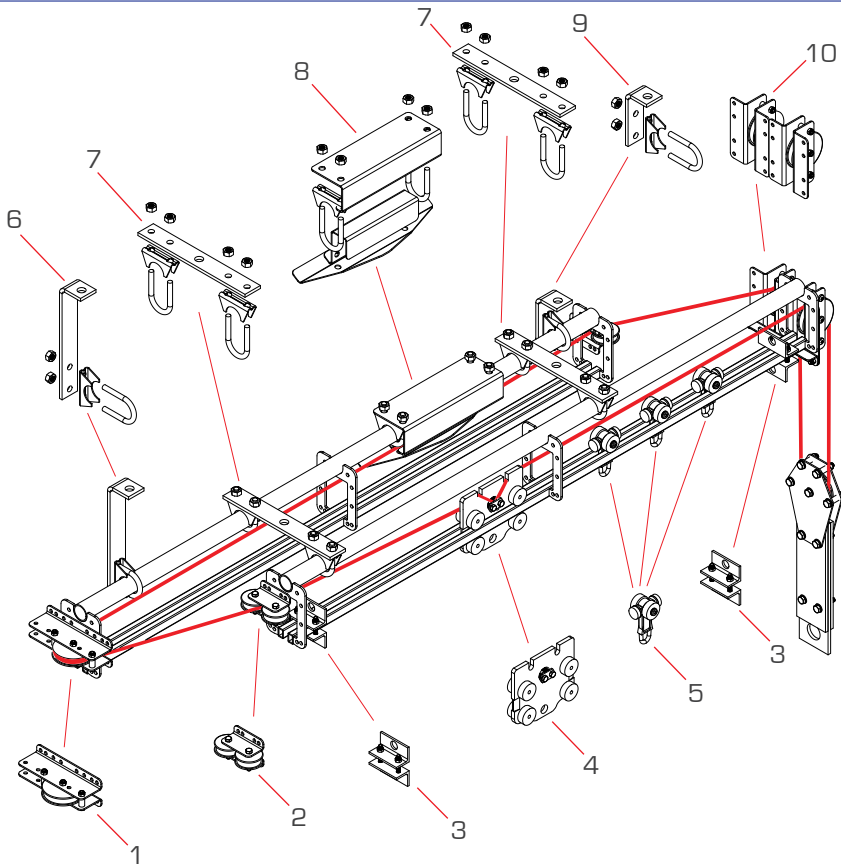
Six track is a modular curtain track system suitable for a wide range of stage and studio applications.

The information in this brochure is for standard products to suit most typical applications. We also offer curved tracks and special systems built to your requirements. Please contact our technical team for further details.

Main features:

- Strong steel fabrication using a tubular top hanging bar and rectangular section tube rails.
- Straight lengths up to 3 metres
- Curves from 500mm radius
- Single swipe or overlap curtains
- Ball raced runners with 6 Kg SWL
- Walkalong, handline, hand winch or electric options
- Finished in black powder paint





- 1 - T63775 Return Pulley
- 2 - T63778 Double Guide Pulley
- 3 - T63760 End Stop
- 4 - T63755 Master Runner
- 5 - T62756 Ball Raced Runner

- 6 - T63750 Adjustable Support Bracket
- 7 - T63752 Overlap Bracket
- 8 - T63770 Line Support
- 9 - T63751 Short Support Bracket
- 10 - T63776 Twin Return Pulley

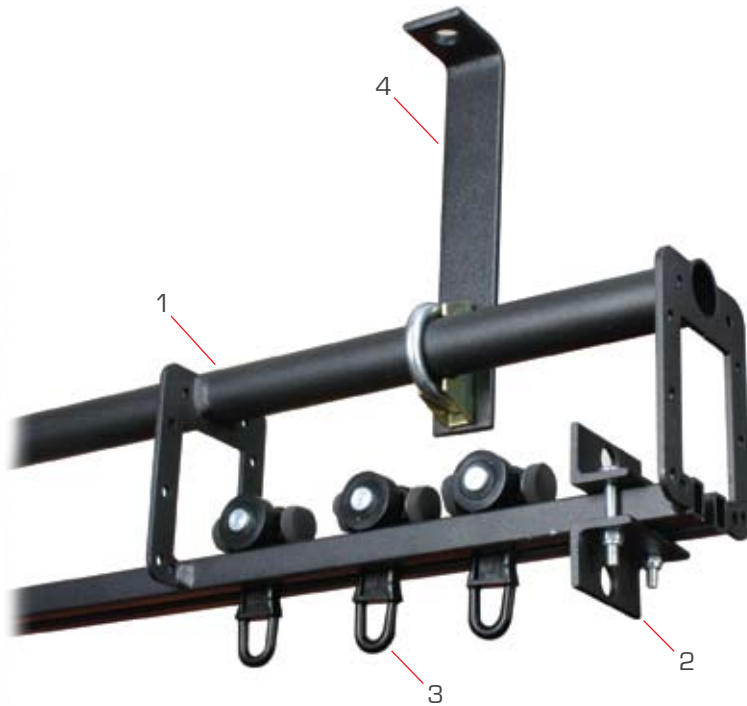
Recommendations:

1. Maximum length for an overlap track is 18 metres
2. Maximum length for a single track is 10 metres
3. Maximum span between supports (cloth open) 2.25 metres
4. Maximum span between supports (cloth bunched) 1.60 metres
5. Maximum runner spacing 300mm
6. Maximum load per runner 6 Kg
7. Line guides should be fitted at 2.5 metre intervals on straight sections
8. Six track has been designed for use with 8mm pre-stretched polyester cord

Walkalong Track Kits

Walkalong track kits include all the components required to install your chosen track length. A typical kit comprises of track, end stops, ball raced runners, adjustable support brackets and a nut and bolt set.

Note: Other support brackets and fasteners may be required depending on individual installation methods.



- 1 - Straight track
- 2 - T63760 End stops [2 pairs per kit]
- 3 - T63756 Ball raced runners [1 per 300mm of track]
- 4 - T63750 Adjustable support brackets [1 per 1500mm of track]

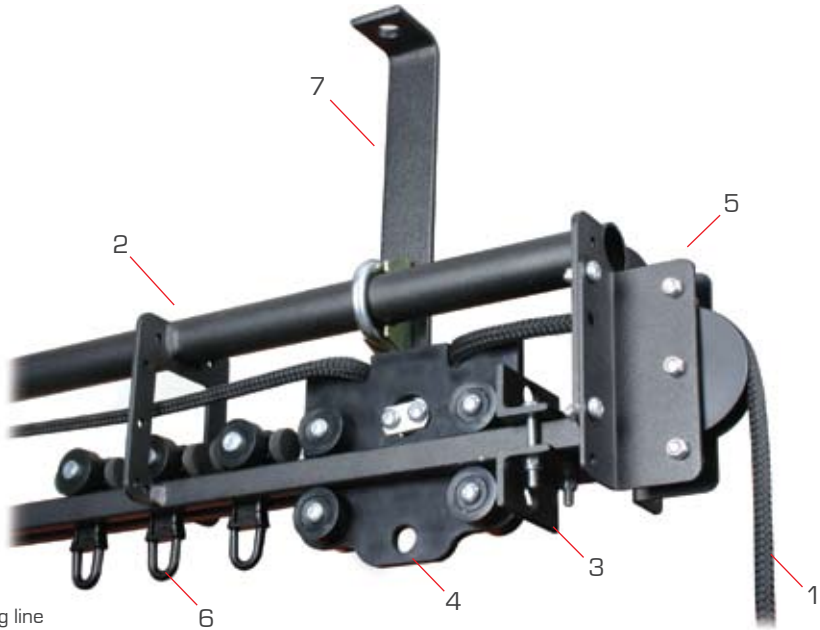
Walkalong Kits

T63941	4.0M	T63945	8.0M	T63949	12.0M
T63942	5.0M	T63946	9.0M	T63950	13.0M
T63943	6.0M	T63947	10.0M	T63951	14.0M
T63944	7.0M	T63948	11.0M	T63952	15.0M

Line Operated Track Kits

Line operated track kits include all the components required to install your chosen track length. A typical kit comprises of track, adjustable support brackets, a nut and bolt set, master runner, pulleys, hauling line, line supports and a weighted hand pulley.

Note: Other support brackets and fasteners may be required depending on individual installation methods.



- 1 - Hauling line
- 2 - Straight track
- 3 - T63760 End stops (2 pairs per kit)
- 4 - T63755 Master runner (1 per Kit)
- 5 - Pulleys (1 return pulley & 1 twin head pulley)
- 6 - T63756 Ball raced runners (1 per 300mm of track)
- 7 - T63750 Adjustable support brackets (1 per 1500mm of track)
- 8 - Line support and weighted hand pulley (not shown)

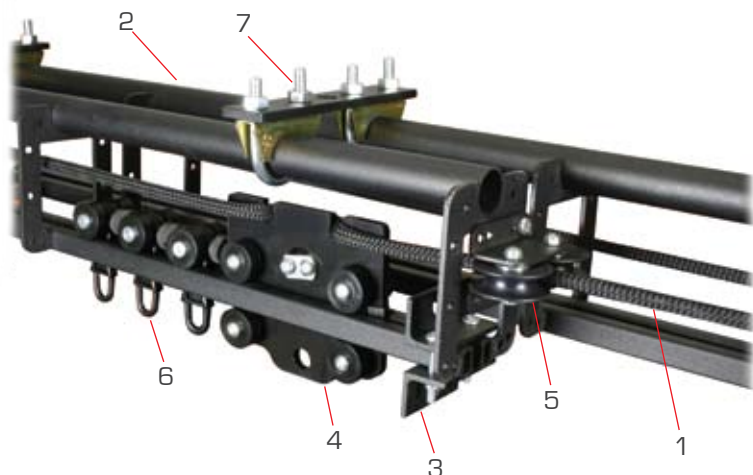
Line Operated Single Track Kits

T63908	4.0M	T63912	8.0M	T63916	12.0M
T63909	5.0M	T63913	9.0M	T63917	13.0M
T63910	6.0M	T63914	10.0M	T63918	14.0M
T63911	7.0M	T63915	11.0M	T63919	15.0M

Line Operated Track Kits with Overlap

Line operated track kits with overlap include all the components required to install your chosen track length. A typical kit comprises of track, end stops, ball raced runners, adjustable support brackets, a nut and bolt set, master runners, pulleys, hauling line, line supports, overlap brackets, overlap pulleys and a weighted hand pulley.

Note: Other support brackets and fasteners may be required depending on individual installation methods.

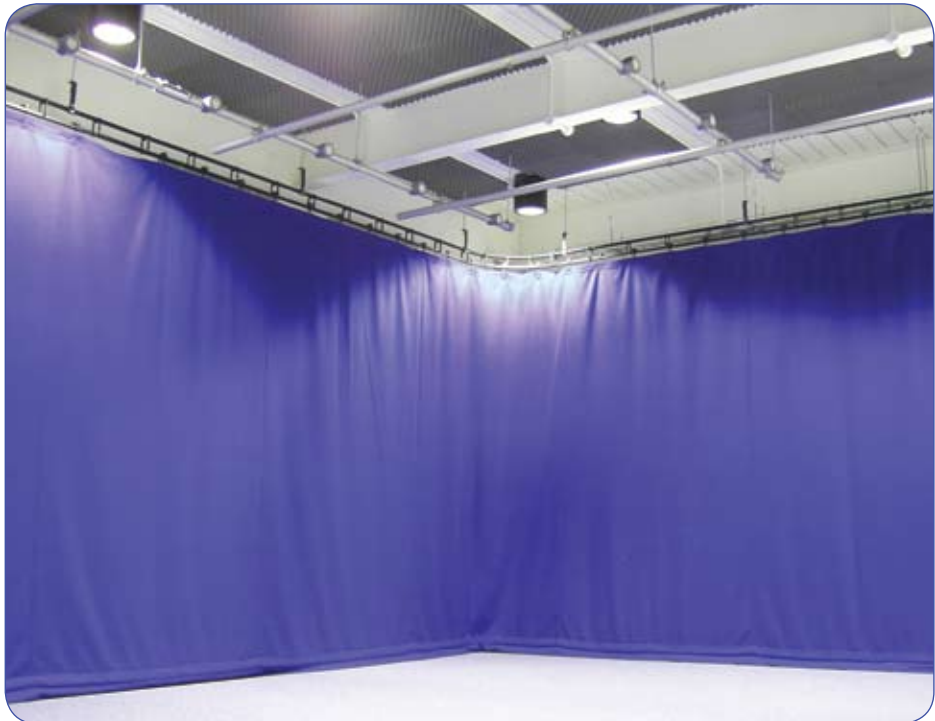
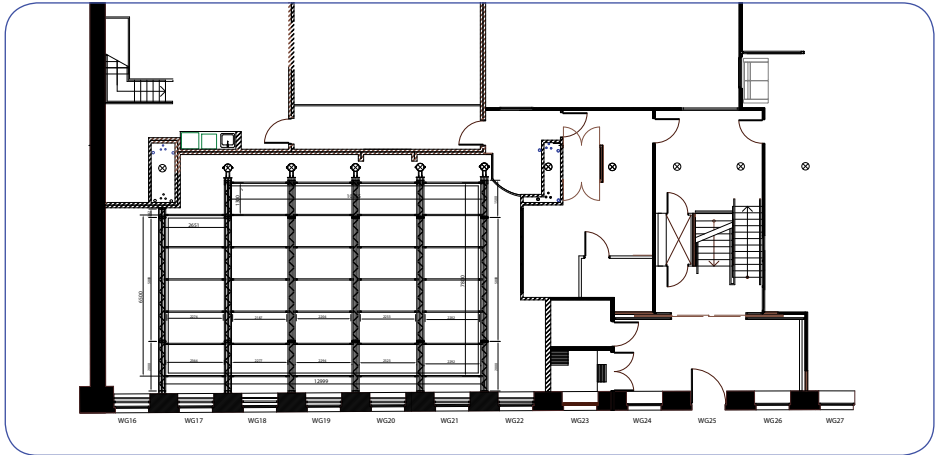


- 1 - Hauling line
- 2 - Straight track
- 3 - T63760 End stops (2 pairs per kit)
- 4 - T63755 Master runner (2 per kit)
- 5 - Pulleys (2 guide pulleys, 1 return pulley & 1 twin head pulley)
- 6 - T63756 Ball raced runners (1 per 300mm of Track)
- 7 - T63752 Overlap brackets (2 per Kit)
- 8 - Line supports, weighted hand pulley and adjustable support brackets (not shown)

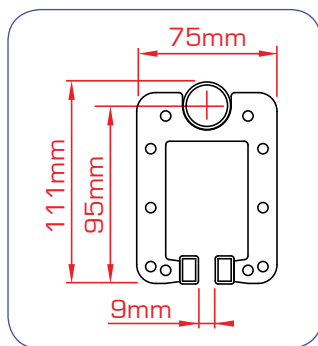
T63920	4.0M	T63924	8.0M	T63928	12.0M
T63921	5.0M	T63925	9.0M	T63929	13.0M
T63922	6.0M	T63926	10.0M	T63930	14.0M
T63923	7.0M	T63927	11.0M	T63931	15.0M

Bespoke Kits

Doughty® Engineering Ltd offer a bespoke six track kit service. Simply submit your building plans or architect's drawings and our technical sales team will create a quote and parts list to suit your installation.

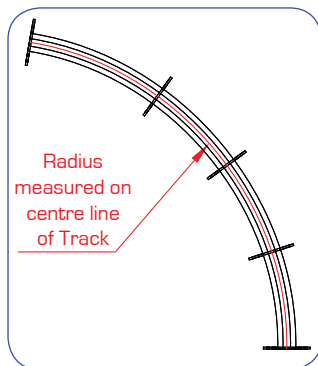


Track Sections



Straight Track

T63705	Six Track Straight - 0.25 metre	0.63 Kg
T63706	Six Track Straight - 0.50 metre	1.19 Kg
T63707	Six Track Straight - 0.75 metre	3.63 Kg
T63708	Six Track Straight - 1.00 metre	2.24 Kg
T63710	Six Track Straight - 2.00 metre	4.47 Kg
T63715	Six Track Straight - 3.00 metre	6.71 Kg



Curved Track

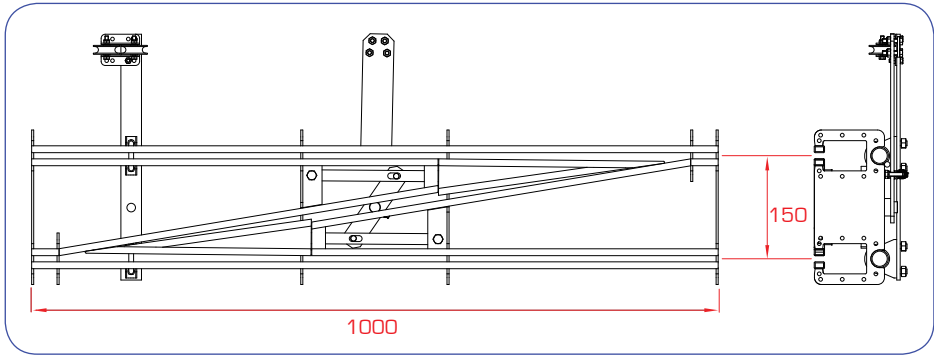
90 Degrees			45 Degrees		
T63730	0.50 metre x 90°	1.96 Kg	T63735	0.50 metre x 45°	1.00 Kg
T63733	0.60 metre x 90°	2.17 Kg	T63736	0.75 metre x 45°	1.40 Kg
T63731	0.75 metre x 90°	2.73 Kg	T63737	1.00 metre x 45°	1.82 Kg
T63734	0.90 metre x 90°	3.50 Kg	Notes: 2.0 metre curves are supplied as 2 sections		
T63732	1.00 metre x 90°	3.62 Kg	3.0 metre curves are supplied as 3 sections.		
T63738	2.00 metre x 90°	7.20 Kg	Special straight sections and radius curves can be		
T63739	3.00 metre x 90°	10.8 Kg	made to order, contact our technical sales team.		

Points System

A switch point system to allow a drape to be moved from one track to another parallel track without removal, useful if a storage area for curtains is required or if multiple cloths are required on one section of tracking. Operated from a rope at ground level, can be retro fitted to existing 6 Track Systems. Suitable only for hand line systems.

T63725

8.50 Kg





Bolt on End Plate

T63765 Bolt on End Plate

With the bolt on end plate, standard length track may be cut to any length and the end replaced on site. There is no need for any on site welding. Two M5 holes will need to be drilled.



Adaptor Plate

T63766 Adaptor Plate

The adaptor plate uses three expanding plugs to terminate a standard piece of track which has been cut to a special length. This plate allows runners to pass through it allowing it to be used mid track.



End Stop - Curtain Anchor

T63760 End Stop - Curtain Anchor

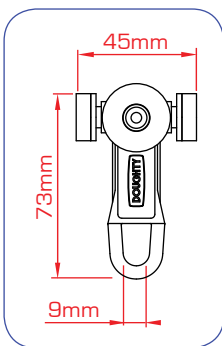
Sixtrack end stops are used to stop the master runner at the end of a track run, they are also used to anchor the curtain at the start of a track.



Line Support

T63770 Line Support Bracket

The Line Support Bracket eliminates any sag in long hauling lines.

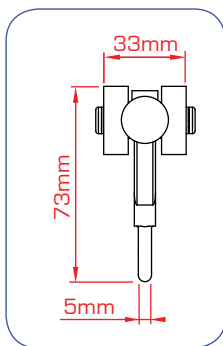


Ball Raced Runner

T63756

SWL 6.0 Kg

Recommended runner spacing 300mm.

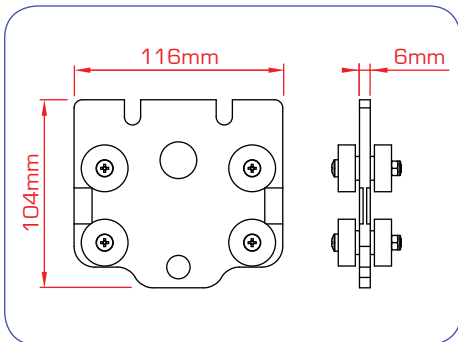


Plain Runner (without bearings)

T63757

SWL 6.0 Kg

Recommended runner spacing 300mm.

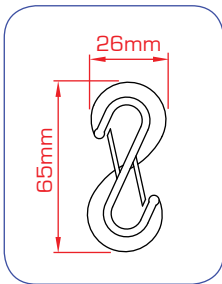


Master Runner (ball raced)

T63755

SWL 6.0 Kg

Master runners are used to lead the curtain, the hauling line ends are also joined on the master runner.



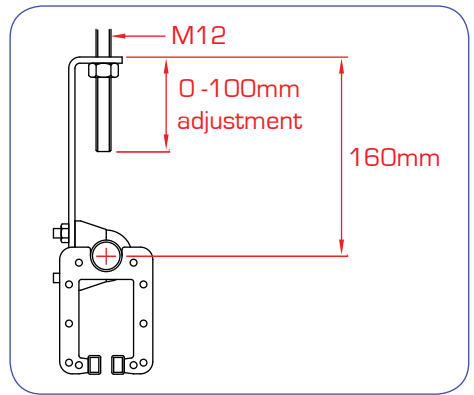
Nylon Twin Hook

T63796

SWL 6.0 Kg

Twin hooks are used to connect curtains to six track runners.

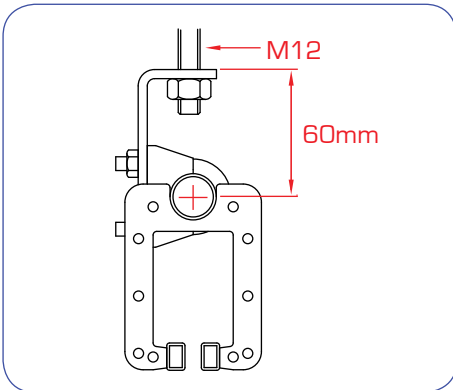




Adjustable Support Bracket

T63750 Adjustable support bracket

Six track is generally suspended from its top rail using adjustable support brackets on M12 Studding, allowing up to 100mm of adjustment. In confined spaces short support brackets can be used.



Short Support Bracket

T63751 Short support bracket

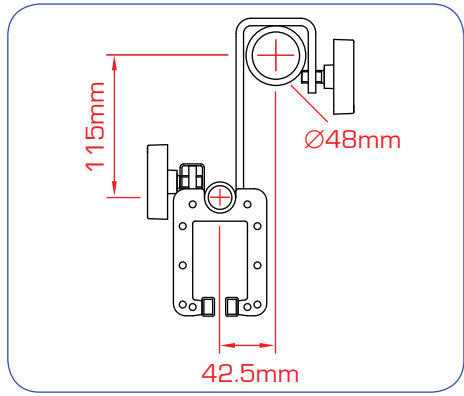
Short support brackets are ideally used where space is limited.



Top Rail Clamp

T63749 Top rail clamp [29mm 'U' bolt]

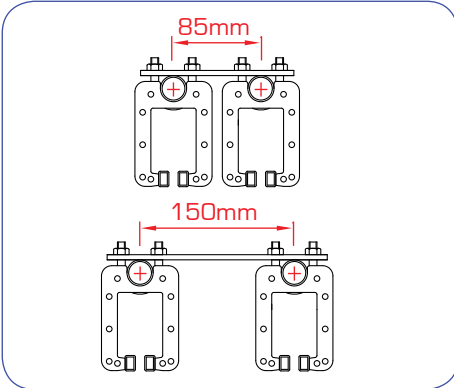
The top rail clamp is sold separately for when custom bracketry is required for special installations where standard brackets cannot be used.



Barrel Bracket

T63753 Barrel Bracket

Barrel Brackets are used to suspend overlap curtain tracks from a 48mm barrel, truss section or lighting bar.



Overlap & Parallel Brackets

T63752 Overlap bracket - 85mm centres

T63754 Parallel bracket - 150mm centres

Overlap brackets are used to space two tracks apart to create an overlap whilst parallel brackets are used to space twin perimeter tracks.



Swing Arm Boom

T63785 Swing Arm Boom

SWL 100 Kg

The Swing Arm Boom has been specifically designed to allow single tracks to be mounted to scaffold tubes and lighting bars.

Tube centres are 61mm.



Return Pulley

T63775 Return Pulley

The Sixtrack Return Pulley is used to return the hauling line around the end of a track run.



Twin Head Pulley

T63776 Twin Head Pulley

The Twin Head Pulley diverts the hauling line from horizontal to vertical to enable a drive unit or weighted pulley to be used.



Single Guide Pulley

T63777 Single Guide Pulley

The Single Guide Pulley ensures a smooth trouble free operation when used with line operated curves etc.



Double Guide Pulley

T63778 Double Guide Pulley

The Double Guide Pulley is used to divert the hauling line from one track to another in an overlap system.



Weighted Handline Pulley

T63820 Weighted Handline Pulley

Weighted Handline Pulleys are designed to maintain tension on manual hauling lines.



Floor Fixed Handline Pulley

T63825 Floor Fixed Handline Pulley

The Floor Fixed Handline Pulleys is designed to maintain tension on manual hauling lines.

This pulley enables the tension to be adjusted.



Sprung Handline Pulley

T63830 Sprung Handline Pulley

The Sprung Handline Pulley is floor fixed and maintains a constant tension on manual hauling lines.



Hauling Line

T63780 Hauling Line

200m

8mm black pre-stretched polyester



Fixings

T63795 Sixtrack fixings

100 no

Manual Track Drives



Floor Mounted



Wall Mounted

Manual Track Drives

T63840	Wall mounted
T63841	Floor Mounted

Designed for hauling curtains to a maximum of 15 metres (not for lifting). The Manual Track Drive units are fitted as part of the continuous loop hauling line.

They incorporate a hauling line tensioning system, and can be either wall or floor mounted.

Electric Track Drives



Designed for hauling curtains to a maximum of 25 metres (not for lifting). The Electric Track Drive Unit is fitted as part of the continuous loop hauling line. The system includes a hauling line tensioning system and a track mounted motorised capstan. The track drives are available as 1 phase complete with a wall mounted variable speed control unit or 3 phase fixed speed with wall mounted control unit. The control unit includes an emergency stop and is supplied with two limit switches for track mounting. The kit comes with 10 metres of electrical cable and 50 metres of 24 volt control cable for the limit switches. An optional open/close remote control unit is also available.

Electric Track Drives

T63845	1 Phase Track Mounted Drive
T6384503	3 Phase Track Mounted Drive
T63846	1 Phase Floor Mounted Drive
T6384603	3 Phase Floor Mounted Drive
T63850	Optional Remote Control

AL-TRACK

Al Track is a lightweight slimline straight curtain track system designed to be aesthetically pleasing and quick and easy to install.

Main features:

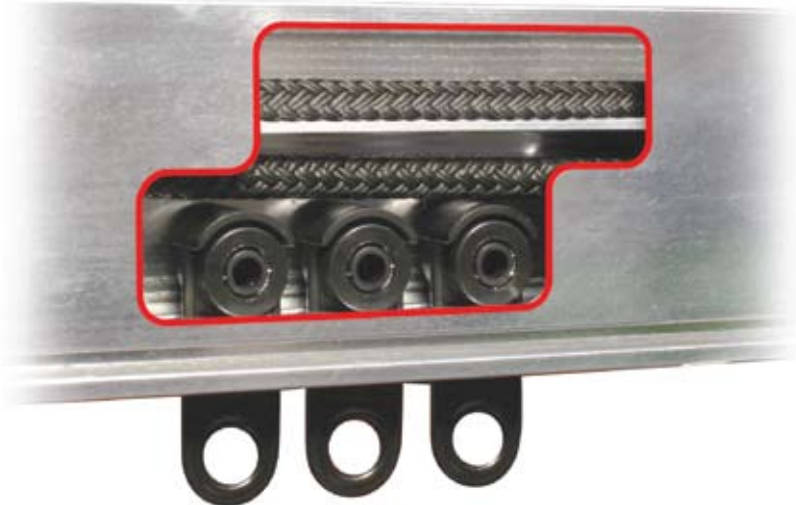
- Supplied as modular assemblies
 - Suitable for installation by end users
 - Enclosed hauling line
 - Fully ball raced runners
 - No need to order special lengths, these can be cut on site from standard lengths
- Available as walkalong, handline operated or electrically driven

Built and tested to the following standards:

- BS7905
- Low voltage directive (2006/95/EC)

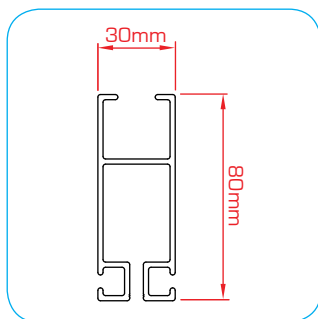
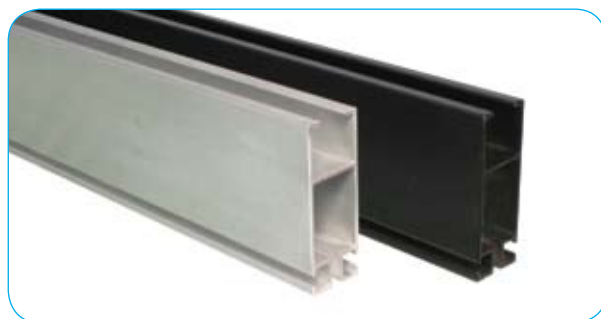
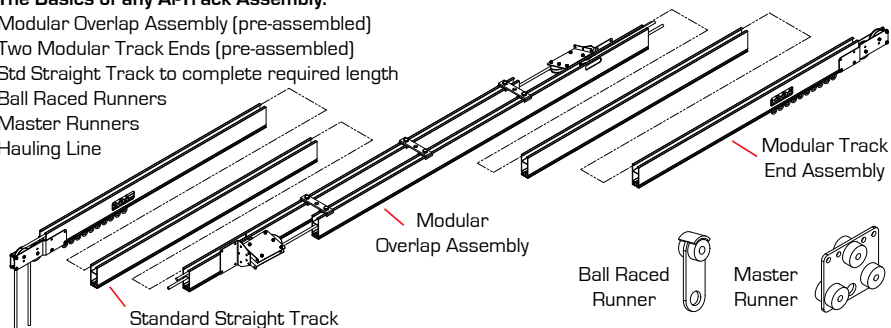
Safe working loads:

- 1.3Kg per runner with 3 metre suspension points
- 2.6Kg per runner with 1.5 metre suspension points



The Basics of any AI-Track Assembly:

- Modular Overlap Assembly (pre-assembled)
- Two Modular Track Ends (pre-assembled)
- Std Straight Track to complete required length
- Ball Raced Runners
- Master Runners
- Hauling Line



Straight Rail

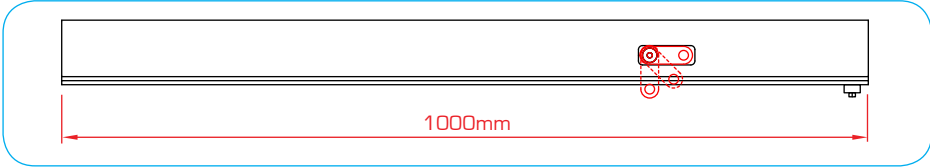
Silver		Black			
T83700	0.25 metre	0.34 Kg	T83706	0.25 metre	0.34 Kg
T83701	0.50 metre	0.67 Kg	T83707	0.50 metre	0.67 Kg
T83702	0.75 metre	1.00 Kg	T83708	0.75 metre	1.00 Kg
T83703	1.00 metre	1.33 Kg	T83709	1.00 metre	1.33 Kg
T83704	2.00 metre	2.66 Kg	T83710	2.00 metre	2.66 Kg
T83705	3.00 metre	3.99 Kg	T83711	3.00 metre	3.99 Kg



End Stop

Joint Kit

T83810	0.02 Kg	T83750	0.24 Kg
Supplied in pairs			

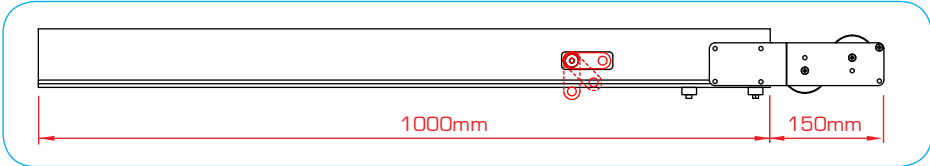


Walkalong Track End Assembly (supplied with end stop)

T83715 - Silver	1.33 Kg
T83716 - Black	1.33 Kg

A walkalong system comprises of:

- Two Walkalong Track End Assemblies
- Straight track sections to make up the required span
- Track joint kits
- One T83790 Ball Raced Runner per 300mm of track length
- Suspension brackets required to suit the installation

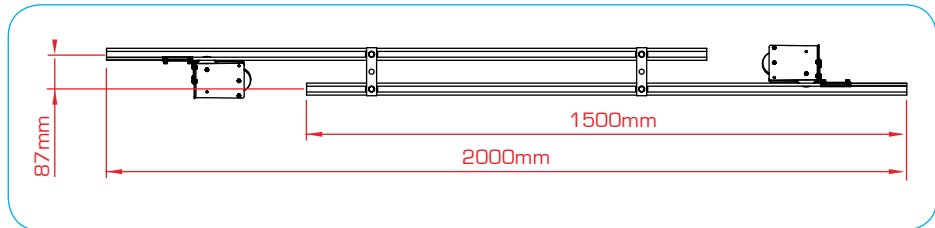


Line Operated Track End Assembly (supplied with end stops)

T83720 - Silver	1.33 Kg
T83721 - Black	1.33 Kg

A Line Operated system comprises of:

- Two Line Operated Track End Assemblies
- One Overlap assembly (if required)
- Straight track sections to make up the required span
- Track joint kits
- One T83790 Ball Raced Runner per 300mm of track length
- Two T83765 Master Runners
- Weighted Pulley or Track Drive Unit
- 8mm Hauling Line
- Suspension brackets required to suit the installation



Overlap Track Assembly

T83725 - Silver	1.33 Kg
T83726 - Black	1.33 Kg

A complete overlap assembly ready for installation.



Ball Raced Runner

T83722	0.05 Kg
--------	---------

Recommended spacing every 300mm



Weighted Pulley

T83730 - Silver	1.60 Kg
T83731 - Black	1.60 Kg



Threaded Plates

Threaded plates slot in the top section of AI Track and enable an aluminium clamp or hook clamp to be attached.



T83780	M8
T83781	M10
T83782	M12

EASYDECK

Easydeck is a modular performance system, perfectly suited for use in the smaller venue. Designed after extensive consultation with drama teachers, amateur groups and rental companies, the system provides an efficient, cost effective solution to temporary staging. Easydeck is a 'no fuss' system which is simplicity itself to install and requires no special tools to assemble. Easydeck modules are available in two standard sizes 1000mm x 1000mm and 750mm x 750mm. The frames are powder painted. The Deck Panels are phenol coated birch ply with a smooth surface and a non slip surface on opposing sides. Easydeck conforms to the following standards, DIN 53799, BS6566:1 1985



Deck panels are sold separately



Non Slip Surface



Smooth Surface

Easydeck Square Frames & Reversible Deck Panels - 1000mm series

	Description	Size	Kg	SWL
T76000	Square Frame	1000 x 1000 x 250mm	7.57 Kg	500 Kg
T76100	Square Frame	1000 x 1000 x 500mm	8.74 Kg	500 Kg
T76200	Square Frame	1000 x 1000 x 750mm	9.91 Kg	500 Kg
T76600	Reversible Deck Panel	1000 x 1000 x 18mm	7.57 Kg	

Easydeck Square Frames & Reversible Deck Panels - 750mm series

	Description	Size	Kg	SWL
T78500	Square Frame	750 x 750 x 250mm	4.84 Kg	375 Kg
T78600	Square Frame	750 x 750 x 500mm	5.84 Kg	375 Kg
T78700	Square Frame	750 x 750 x 750mm	6.84 Kg	375 Kg
T79400	Reversible Deck Panel	750 x 750 x 18mm	7.30 Kg	



Easydeck Triangular Frames & Reversible Deck Panels - 1000mm series

	Description	Size	Kg	SWL
T76300	Triangular Frame	1000 x 1000 x 250mm	5.28 Kg	250 Kg
T76400	Triangular Frame	1000 x 1000 x 500mm	6.15 Kg	250 Kg
T76500	Triangular Frame	1000 x 1000 x 750mm	7.02 Kg	250 Kg
T76700	Reversible Deck Panel	1000 x 1000 x 18mm	5.28 Kg	

Easydeck Triangular Frames & Reversible Deck Panels - 750mm series

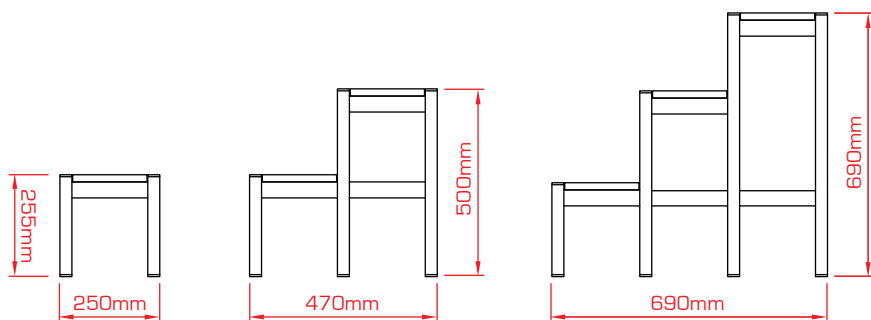
	Description	Size	Kg	SWL
T78900	Triangular Frame	750 x 750 x 250mm	4.09 Kg	187 Kg
T79000	Triangular Frame	750 x 750 x 500mm	5.01 Kg	187 Kg
T91000	Triangular Frame	750 x 750 x 750mm	5.93 Kg	187 Kg
T79500	Reversible Deck Panel	750 x 750 x 18mm	5.10 Kg	



Bridging Units - 750mm series

	Description	Size	Kg
T80600	Single Bridging Unit	750 x 750mm	5.64 Kg
T80700	Double Bridging Unit	1500 x 750mm	9.85 Kg

Double Step Unit



Single Step

Double Step

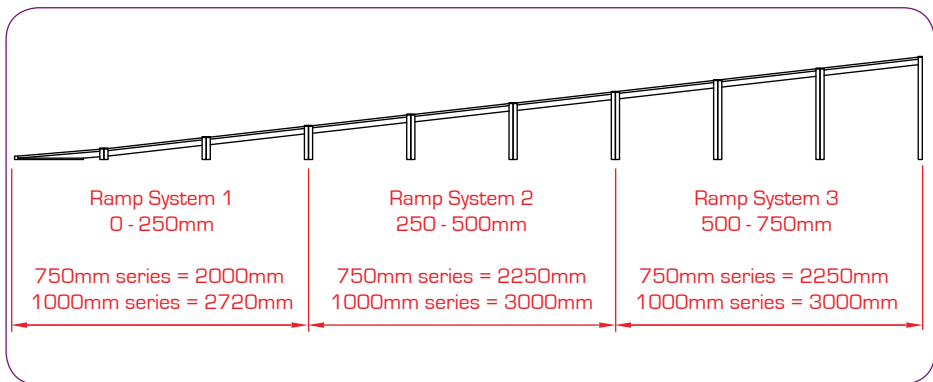
Triple Step

Easydeck Step Units - 1000mm series

	Description	Size	Kg
T76505	Single Step	1000 x 250 x 250mm	4.28 Kg
T76506	Double Step	1000 x 470 x 500mm	8.70 Kg
T76507	Triple Step	1000 x 690 x 690mm	11.0 Kg
T76800	Step Deck Panel	1000 x 250mm	4.28 Kg

Easydeck Step Units - 750mm series

	Description	Size	Kg
T79300	Single Step	750 x 250 x 250mm	3.55 Kg
T79305	Double Step	750 x 470 x 500mm	7.46 Kg
T79310	Triple Step	750 x 690 x 690mm	13.0 Kg
T79600	Step Deck Panel	750 x 250mm	2.39 Kg



Easydeck Ramp System - 1000mm series

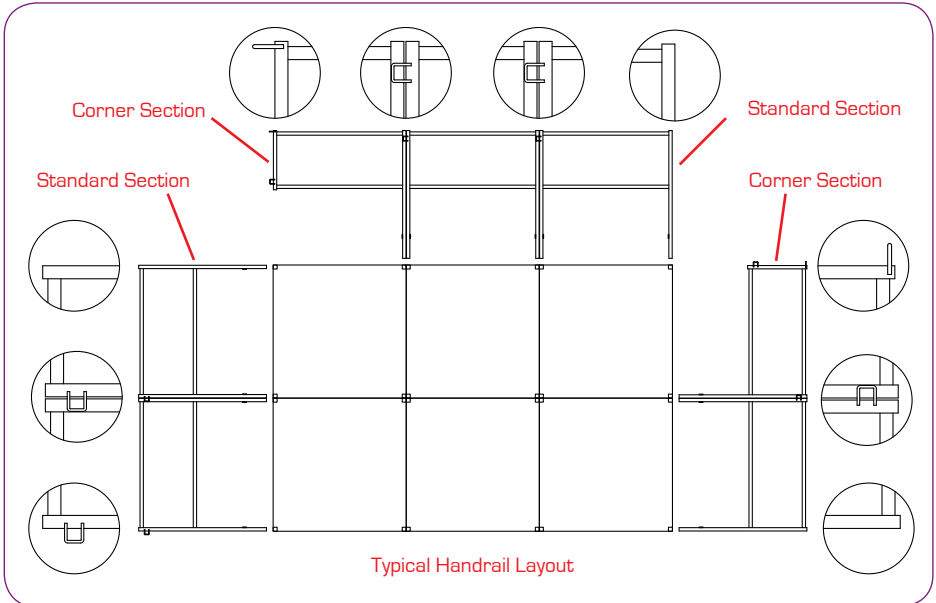
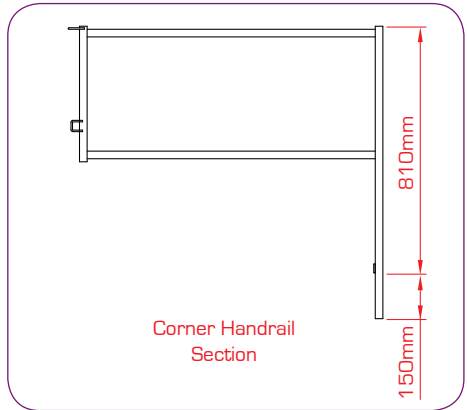
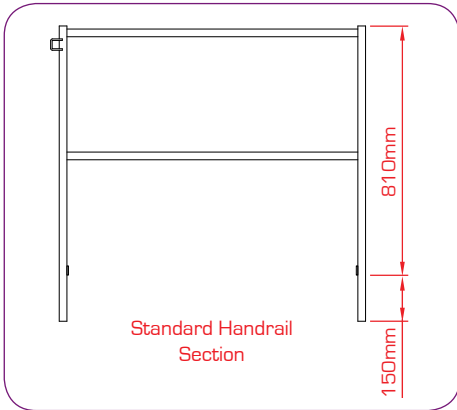
Description	Size	Kg	SWL
T77900	Ramp System 1 0 - 250mm	56.0 Kg	500 Kg/M ²
T77800	Ramp System 2 250 - 500mm	62.0 Kg	500 Kg/M ²
T77910	Ramp System 3 500 - 750mm	66.0 Kg	500 Kg/M ²
All Ramp Systems are Supplied with Deck Panels			
T77100	Rising Handrail Section	4.02 Kg	

Easydeck Ramp System - 750mm series

Description	Size	Kg	SWL
T80200	Ramp System 1 0 - 250mm	52.0 Kg	500 Kg/M ²
T80300	Ramp System 2 250 - 500mm	57.2 Kg	500 Kg/M ²
T80400	Ramp System 3 500 - 750mm	62.4 Kg	500 Kg/M ²
All Ramp Systems are Supplied with Deck Panels			



Easydeck Handrail		
1000mm series		
T76900	Standard Section	4.02 Kg
T77000	Corner Section	3.26 Kg
T77100	Ramp Section	4.02 Kg
750mm series		
T79700	Standard Section	3.04 Kg
T79800	Corner Section	2.51 Kg
T79900	Ramp Section	3.04 Kg



Easydeck Chair Stops

1000mm series

T77300	Chair Stop	1.68 Kg
--------	------------	---------

750mm series

T80100	Chair Stop	1.17 Kg
--------	------------	---------

Chair Stops create a raised edging to eliminate the chances of a chair leg slipping off the stage.



Easydeck "Bolton Twill" Valance

1000mm series

T77950	250mm Drop x 6.0m
--------	-------------------

T77960	500mm Drop x 6.0m
--------	-------------------

T77970	750mm Drop x 6.0m
--------	-------------------

750mm series

T80950	250mm Drop x 6.0m
--------	-------------------

T80960	500mm Drop x 6.0m
--------	-------------------

T80970	750mm Drop x 6.0m
--------	-------------------

Easydeck Storage Dolly

1000mm series

T77400	Storage Dolly	9.51 Kg
--------	---------------	---------

750mm series

T80000	Storage Dolly	8.60 Kg
--------	---------------	---------

Store up to twenty five frames and deck panels. Comes with heavy duty castors for ease of movement. Requires no more than 1.2 square metres of floor space.



Easydeck Ordering Information:

1. Generally for each unit ordered, 2 no T77500, 1 no T77600 & 1 no T77650 are required
3. For each Handrail Corner, 1 Std section and 1 corner section is required
4. Please note: Deck Panels are sold separately to the Easy Deck frames
5. Riser brackets are supplied in sets of four

Easydeck Joint Clips 1

T77500 Joint Clip 0.10 Kg

The Easydeck Joint Clips are used to secure runways and step units.

Easydeck Joint Channels 2

T77600 Joint Channel 0.14 Kg

Joint Channels are used to create a secure joint between two adjacent frames.

Easydeck Support Channels 3

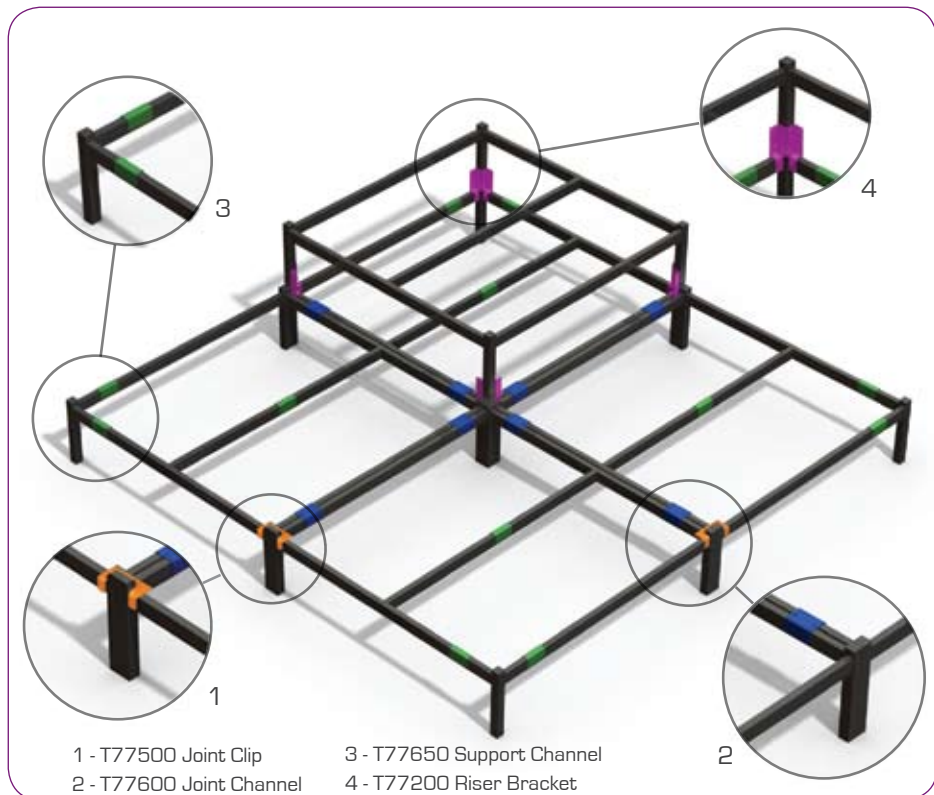
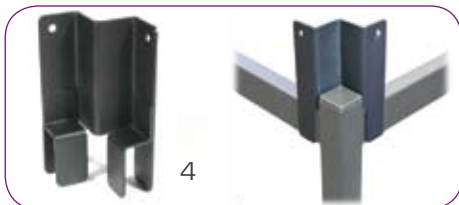
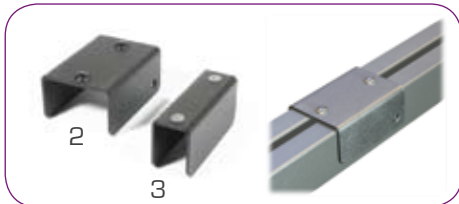
T77650 Support Channel 0.10 Kg

Support Channels are used to match the height of the Joint Channels and Joint Clips, ensuring a level platform for the deck panels is achieved.

Easydeck Riser Brackets 4

T77200 Riser Bracket x 4 0.25 Kg

Riser Brackets are designed to be used when two units are tiered on top of each other. The Riser Brackets are fitted to each corner ensuring the tiered unit is extremely safe and secure.

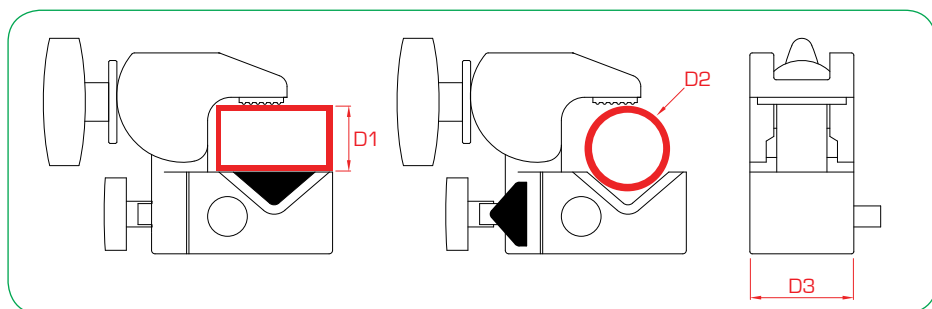


1 - T77500 Joint Clip
2 - T77600 Joint Channel

3 - T77650 Support Channel
4 - T77200 Riser Bracket

SUPACLAMPS

Supaclamps are pressure die cast aluminium clamps capable of clamping any surface from 13mm flat to 50mm diameter poles. Rubber grip pads prevent damage to surfaces. Supplied with a wedge to grip flat surfaces. There is a full range of snap in accessories to complement these versatile clamps.



Supaclamps				
Part No	D1	D2	D3	Kg
G1160 - Silver	13 - 30mm	Ø15 - 50mm	45mm	0.45 Kg
G116001 - Black	13 - 30mm	Ø15 - 50mm	45mm	0.45 Kg



M10 x 25 Rotating Stud
G1177

Snap In 1/4" Camera Spigot
G1178

M10 Low Profile Socket
G1179



16mm x 3/8" Spigot
G1180

16mm x 1/4" Spigot
G1181

3/8" x 1/4" Spigot
G1182



10mm Snap-in Pin

G1167



12mm Snap-in Pin

G1166



16mm Snap-in Pin

G1165



M12 x 30 Stud

G1168



M10 x 25 Stud

G1169



Joining Stud/Swivel

G1170

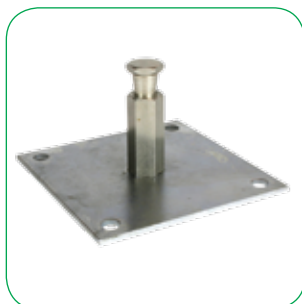




M12 x 35 Socket
G1171

M10 x 30 Socket
G1172

150mm Extension
G1173



Offset Arm
G1174

Swivel Hook
G1175

100mm Mounting Plate
G1176

GRIP EQUIPMENT

Doughty Grip Equipment is a range of British designed and manufactured lighting support for studios and locations of all types. These products have been manufactured for a high degree of performance to give solutions to challenging lighting demands.





Large Griphead

G1200 - Silver	2.40 Kg
G120001 - Black	2.40 Kg

The 115mm Large Griphead features an offset 29mm receiver to accommodate luminaires. The clamp plates are designed to accept 25, 20, 16 & 12mm diameter poles/arms. The conical clamping system enables items up to 50mm square or of irregular shape to be clamped securely.



Standard Griphead

G1210 - Silver	0.70 Kg
G121001 - Black	0.70 Kg

The 65mm Standard Griphead features an offset 16mm receiver. The clamp plates are designed to accept 16, 12, 10 & 6mm diameter pins/arms for flags, scrimms etc. The conical clamping system enables items of irregular shape to be clamped securely.



Double Griphead

G1220	1.30 Kg
-------	---------

Two independently operable gripheads mounted on a 10mm x 170mm stainless steel spike.



150mm Pin with Collar

G1260	0.23 Kg
-------	---------

This Pin enables lightweight luminaires fitted with a 17mm receiver to be mounted to any griphead. The collar acts as a safety stop when inverted.



Snap-In Griphead

G1221 Snap-In Griphead 1.30 Kg

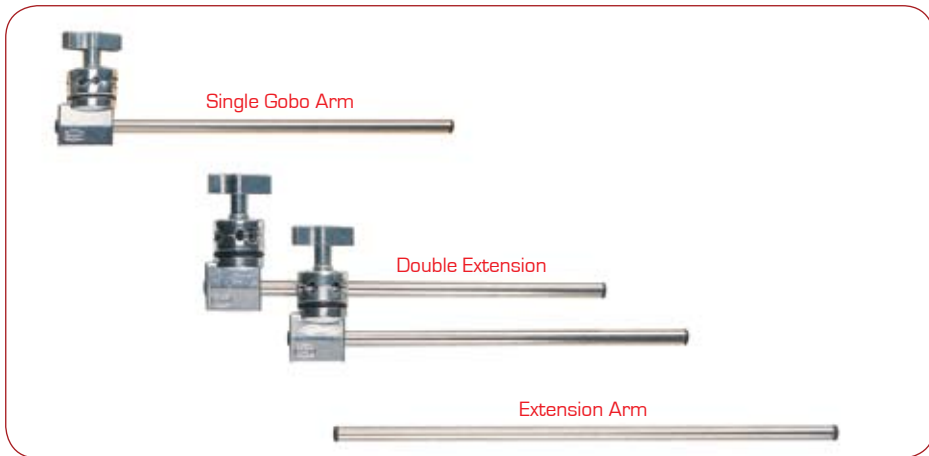
Factory fitted with a snap in pin for use in conjunction with the G1160 Supaclamp or similar accessories.



Supaclamp

G1160 Supaclamp 0.45 Kg

Designed to grip any surface from 5mm flats to 50mm diameter poles, the Supaclamp features a snap-in receiver.



Single Gobo Arm

Double Extension

Extension Arm

Gobo Arms

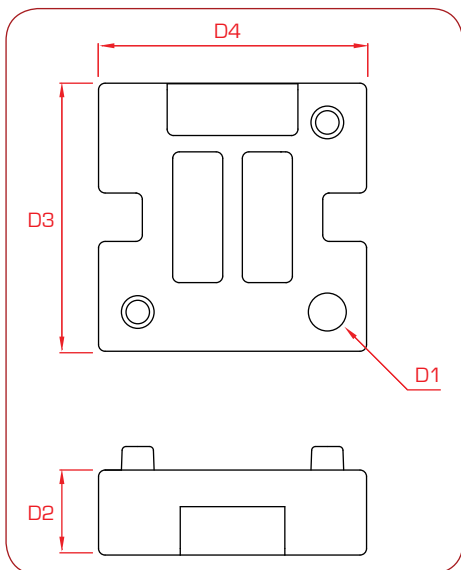
Part No		Kg
G1230	500mm x 16 mm Single Gobo Arm	0.84 Kg
G1235	1000mm x 16 mm Single Gobo Arm	1.06 Kg
G1240	500mm x 16 mm Double Extension	1.68 Kg
G1245	1000mm x 16 mm Double Extension	2.14 Kg
G1250	500mm x 16 mm Stainless Steel Extension Arm	0.23 Kg
G1255	1000mm x 16 mm Stainless Steel Extension Arm	0.46 Kg



Polyholders

Part No	Kg
G1140 Poly Holder 25mm	0.62 Kg
G1142 Poly Holder 40mm	0.80 Kg
G1141 Poly Holder 50mm	0.83 Kg

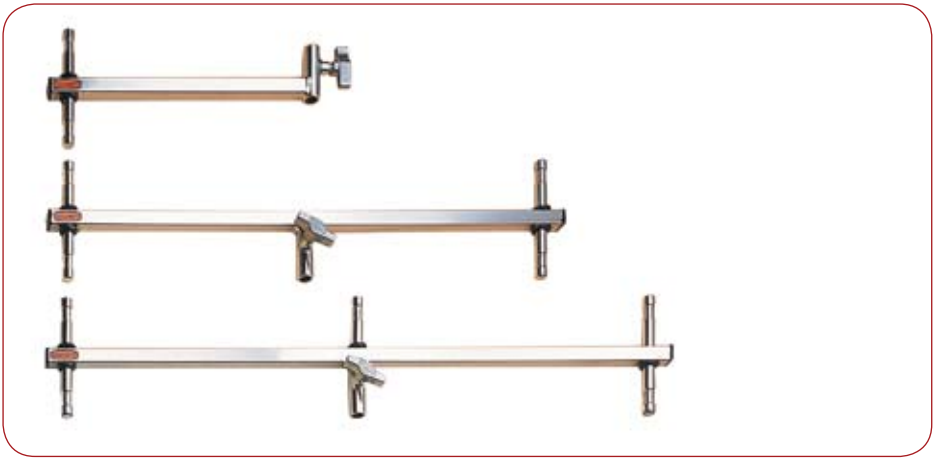
Polyholders comprise of two 225 x 150mm aluminium plates powder painted black one side and white on the reverse. Fitted with a 10mm pin for use with gripheads.



Brace Weight

Part No	D1	D2	D3	D4	Kg
T61700	29mm	65mm	205mm	205mm	12.5 Kg

A cast steel stacking weight with 29mm receiver, compatible with most major brands.



Baby Arms and Headers

Part No	Length	Spigots	Receiver	Kg
G1330 Baby Offset Arm	350mm	2 x 16mm	17mm	0.74 Kg
G1335 Baby Doubler Header	700mm	4 x 16mm	17mm	1.29 Kg
G1340 Baby Triple Header	850mm	5 x 16mm	17mm	1.55 Kg



Junior Arms and Headers

Part No	Length	Receivers	Spigot	Kg
G1300 Junior Offset Arm	450mm	1 x 29mm	28mm	2.53 Kg
G1310 Junior Doubler Header	900mm	2 x 29mm	28mm	4.24 Kg
G1315 Junior Triple Header	1000mm	3 x 29mm	28mm	5.00 Kg



Baby Adjustable Side Arm

G1345

0.76 Kg

The Baby Adjustable Side Arm is mounted to a vertical (1.25") 32mm tube or stand riser with a G1350 Vee Clamp. The side arm is 160mm long and the spigots are 16mm. Vee Clamp sold separately.



Junior Adjustable Side Arm

G1320

1.42 Kg

The Junior Adjustable Side Arm is mounted to a vertical (1.25") 32mm tube or stand riser with a G1350 Vee Clamp. The side arm is 500mm long and the receiver is 29mm. Vee Clamp sold separately.

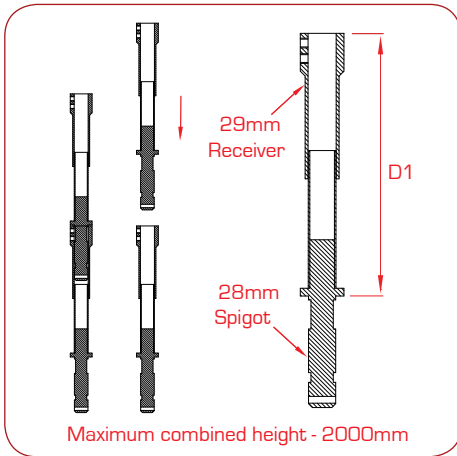


Junior Adjustable Offset Arm

G1305 Junior Adjustable Offset Arm

2.40 Kg

The Junior Adjustable Offset Arm is fitted with a 28mm Spigot and 29mm receiver and is adjustable from 430mm to 700mm centres.



Low Lifts			
Part No	D1	Spec	Kg
T44450	135mm	Euro spec	0.98 Kg
T44460	270mm	Euro spec	1.36 Kg
T44470	405mm	Euro spec	1.49 Kg
T44475	675mm	Euro spec	1.74 Kg
T44500	1000mm	Euro spec	2.01 Kg
T44480	135mm	Din spec	0.98 Kg
T44482	270mm	Din spec	1.36 Kg
T44484	405mm	Din spec	1.49 Kg
T44486	675mm	Din spec	1.74 Kg
T44505	1000mm	Din spec	2.01 Kg

Extension Poles (28mm spigot/receiver)

Part No	Length	Kg
T44640	1000mm to 1650mm	3.70 Kg
T44645	1080mm to 2500mm	5.20 Kg
T44650(black)	1080mm to 2500mm	5.20 Kg

Extension poles and low lifts can be used in floor plates and bases or as a stand extension. Fitted with a Multihead receiver which comprises of a 29mm receiver combined with a pop up 16mm spigot. Not to be used as Drop Arms - For Lifting Only.



Double Risers

Part No	Size	Finish	Kg
G2020	770 - 1500mm	Chrome	3.37 Kg
G2021	1020 - 2260mm	Chrome	4.50 Kg
G2022	1270 - 3000mm	Chrome	5.40 Kg
G2023	1780 - 4520mm	Chrome	6.20 Kg
G202001	770 - 1500mm	Black	3.37 Kg
G202101	1020 - 2260mm	Black	4.50 Kg
G202201	1270 - 3000mm	Black	5.40 Kg
G202301	1780 - 4520mm	Black	6.20 Kg

Fitted with 16 & 29mm spigots.



Universal Hanger

G2024 Universal Hanger 5.65 Kg

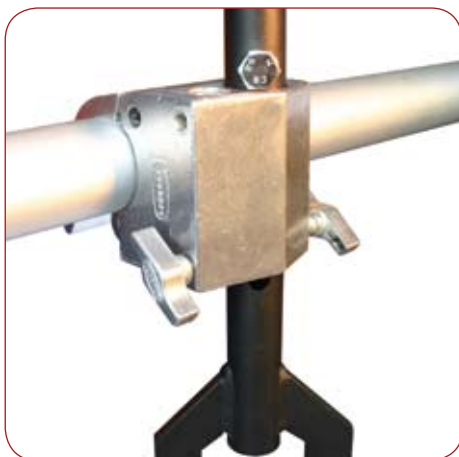
An extending hanger used to suspend equipment from barrel truss grids. Fitted with a 48 - 51mm coupler and 29mm receiver, the Universal Hanger extends from 280 mm - 2160 mm.



Grip Helper

G2025 Grip Helper 4.60 Kg

An angled extending arm fitted with a 29mm receiver/ spigot combination and a Large Griphead. The Grip Helper allows a scrim, silk or blackout to be mounted with a luminaire on the same stand. Length is adjustable from 845mm to 1280mm.



Single Ended Drop Arms

Part No	Length	Spigots	Receiver	Kg
T45610	250mm	Fits Barrel Socket Clamp (G1115)	29mm	1.66 Kg
T45612	500mm	Fits Barrel Socket Clamp (G1115)	29mm	1.85 Kg
T45614	750mm	Fits Barrel Socket Clamp (G1115)	29mm	2.04 Kg
T45616	1000mm	Fits Barrel Socket Clamp (G1115)	29mm	2.23 Kg
T45618	2000mm	Fits Barrel Socket Clamp (G1115)	29mm	4.46 Kg

Adjustable drop using pre-drilled holes in 28mm dia tube and a securing pin.



Double Ended Drop Arms

Part No	Length	Spec	Kg	Part No	Length	Spec	Kg
T45400	500mm	Euro spec	2.17 Kg	T45401	500mm	Din spec	2.17 Kg
T45500	1000mm	Euro spec	2.65 Kg	T45501	1000mm	Din spec	2.65 Kg
T45600	2000mm	Euro spec	3.79 Kg	T45601	2000mm	Din spec	3.79 Kg

Fixed length drop with 28mm spigot and 29mm receiver. Enables luminaire to rotate.

**16mm Pin Wall Plate**

G1405

0.46 Kg

A 100mm x 100mm plate with 16mm spigot and corner fixing holes.

**Baby Receiver Wall Plate**

G1128

0.37 Kg

A 100mm x 100mm plate with 16mm receiver and corner fixing holes.

**Junior Wall Plate**

G1129

0.85 Kg

A 120mm x 120mm plate with 29mm receiver and corner fixing holes.

**Baby Grid Clamp**

G1197

0.78 Kg

A standard Doughty T57000 Clamp fitted with a \varnothing 16mm spigot 70mm long.

 **\varnothing 16mm Pin Hook Clamp**

G1415

0.40 Kg

A standard Doughty T20100 Hook Clamp fitted with a \varnothing 16mm spigot.



Flat Clamp

G1001 Flat Clamp

1.28 Kg

A medium duty scenery clamp which clamps up to 100mm and includes a fixed 29mm receiver and lynch pin.



Gaffer Grip

G1000 Large Gaffer Grip

1.20 Kg

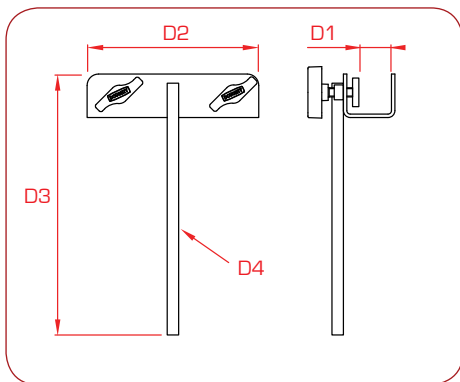
A quick release clamp which grips flat surfaces and barrel and provides two 16mm receivers.



Modified 'G' Clamps

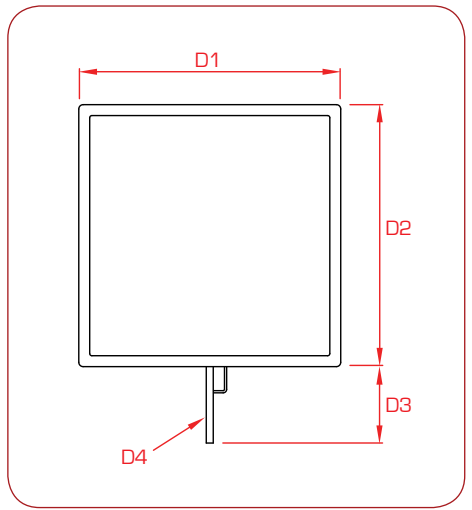
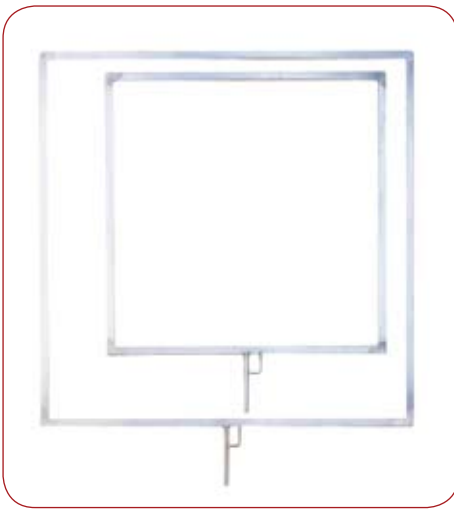
Part No		Kg	
G1104	100mm Python Clamp	clamps 0 to 100mm	1.28 Kg
G1106	150mm Python Clamp	clamps 0 to 150mm	2.33 Kg
G1108	200mm Python Clamp	clamps 0 to 200mm	2.87 Kg
G1110	250mm Python Clamp	clamps 0 to 250mm	3.63 Kg

A range of 'G' clamps fitted with dual position 29mm receiver. Modified jaws have been added to clamp flat surfaces or round bars.



Frame Clamps

Part No	D1	D2	D3	D4	Kg
G1113	50mm	150mm	230mm	Ø10mm	1.00 Kg
G1114	25mm	150mm	230mm	Ø10mm	0.74 Kg



Aluminium Flat Frames (25 x 6 flat)

Part No	D1	D2	D3	D4	Kg
G3015 (24" x 24")	610mm	610mm	190mm	Ø16mm	1.00 Kg
G3016 (36" x 36")	915mm	915mm	190mm	Ø16mm	1.29 Kg
G3018 (48" x 48")	1220mm	1220mm	190mm	Ø16mm	1.69 Kg



Sand Bags

G3301

Capacity - 10 Kg Sand - 18 Kg Shot

STAND ACCESSORIES

An extensive range of accessories to complement our large selection of lighting stands.



Castor Kits

T50500 - 75mm Kit

T50502 - 75mm Kit

G2201 - 100mm Kit

G2200 - 100mm Kit

To suit the following stands:

Neutron

Nova

Comet

Cine Combo Stands

To suit the following stands:

Followspot

Nebula 20

Nebula 33

Nebula 42

Studio 2000

Studio 3500

Studio 5000

Combo Stands

Parcan Stand Top

T54175

The Parcan Stand Top enables a parcan or similar luminaire fitted with a standard hookclamp to be used in a 29mm receiver.

This item should not be used as a suspension device.



Silver



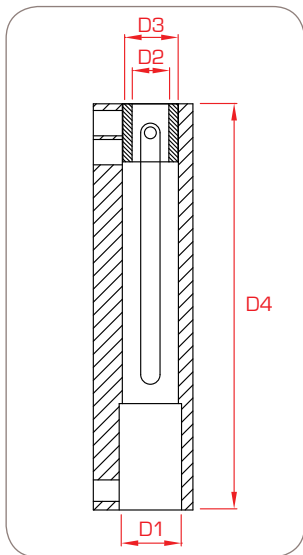
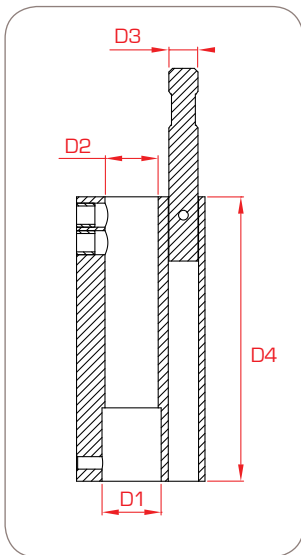
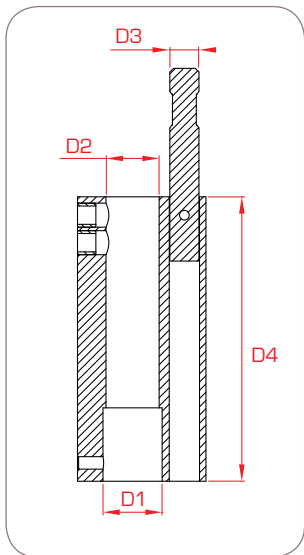
Black



Multi Head	
G2060	
SWL	N/A
D1	Ø32mm (Ø1.25")
D2	Ø29mm Receiver
D3	Ø16mm Spigot
D4	155mm
Kg	0.66 Kg

Multi Head	
G206001	
SWL	N/A
D1	Ø32mm (Ø1.25")
D2	Ø29mm Receiver
D3	Ø16mm Spigot
D4	155mm
Kg	0.66 Kg

Combi Top	
T52800	
SWL:	N/A
D1	Ø32mm (Ø1.25")
D2	Ø19mm Receiver
D3	Ø29mm Receiver
D4	210mm
Kg	0.68 Kg

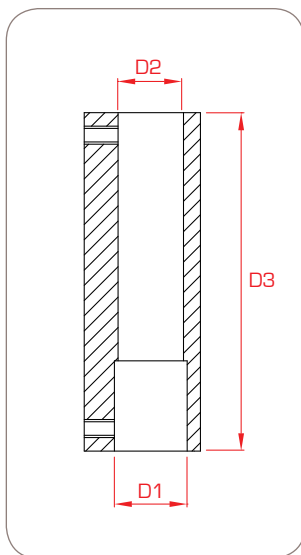
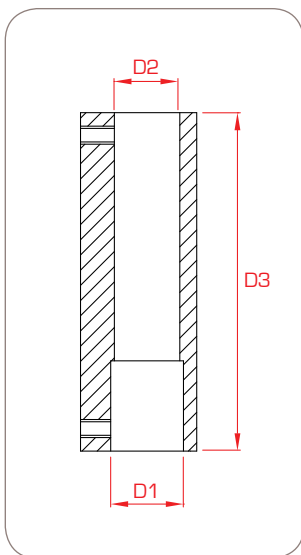
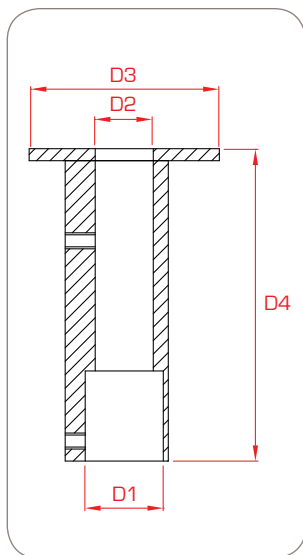




Followspot Top	
T52900	
SWL	N/A
D1	Ø32mm [Ø1.25"]
D2	Ø29mm Receiver
D3	Ø95mm
D4	156mm
Kg	0.49 Kg

TV Spigot Mounting	
T50600	
SWL	N/A
D1	Ø32mm [Ø1.25"]
D2	Ø29mm Receiver
D3	150mm
Kg	0.66 Kg

TV Spigot Mounting	
T50700	
SWL	N/A
D1	Ø38mm [Ø1.50"]
D2	Ø29mm Receiver
D3	150mm
Kg	0.66 Kg

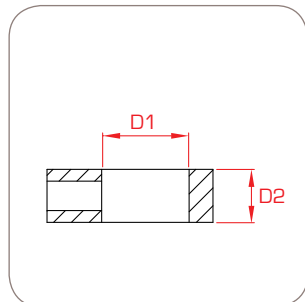
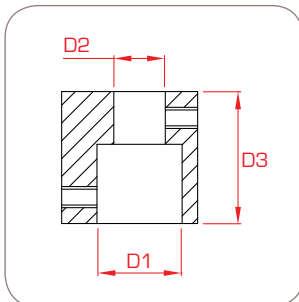
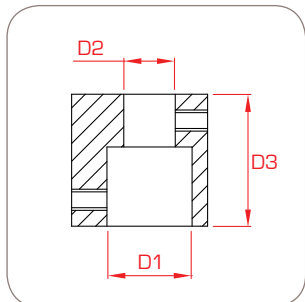




19mm Spigot Mounting	
T50900	
SWL	N/A
D1	Ø32mm (Ø1.25")
D2	Ø19mm Receiver
D3	50mm
Kg	0.24 Kg

19mm Spigot Mounting	
T50901	
SWL	N/A
D1	Ø32mm (Ø1.25")
D2	Ø19mm Receiver
D3	50mm
Kg	0.20 Kg

Safety Collar	
T53000	
D1	Ø32mm (Ø1.25")
D2	20mm
T53100	
D1	Ø38mm (Ø1.50")
D2	20mm

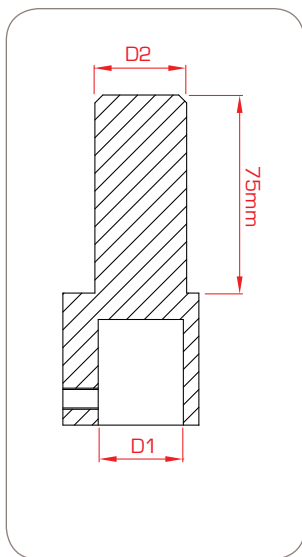
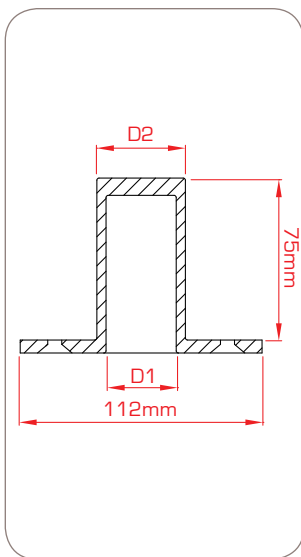
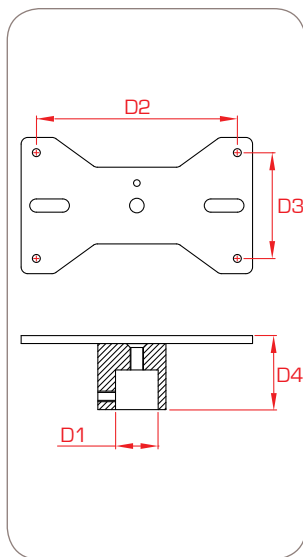




Ramsa / Bose Adaptor	
T52600	
SWL	N/A
D1	Ø32mm [Ø1.25"]
D2	152mm
D3	80mm
D4	56mm
Kg	0.49 Kg

Internal Speaker Adaptor	
T52200	
D1	Ø32mm [Ø1.25"]
D2	Ø41mm
T52201	
D1	Ø35mm
D2	Ø41mm

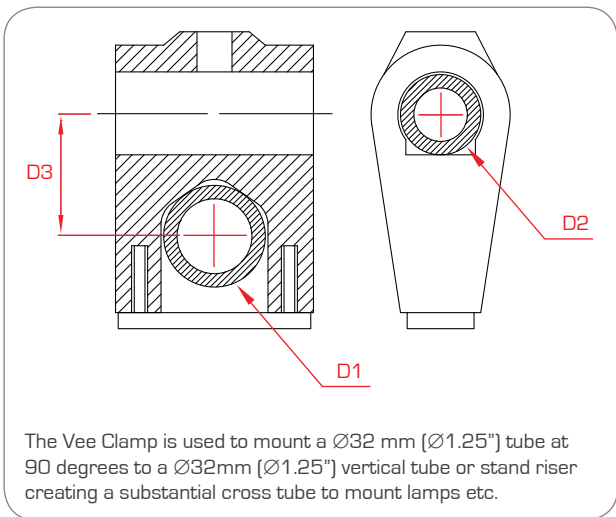
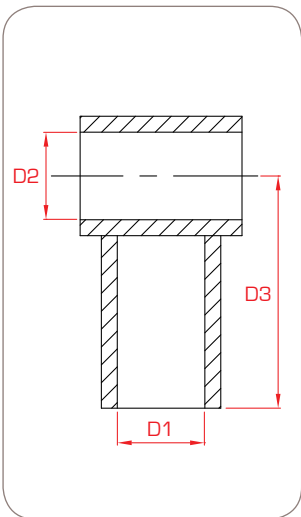
35mm Speaker Adaptor	
T51000	
D:	Ø32mm [Ø1.25"]
D2	Ø35mm
T51100	
D1	Ø38mm [Ø1.50"]
D2	Ø35mm

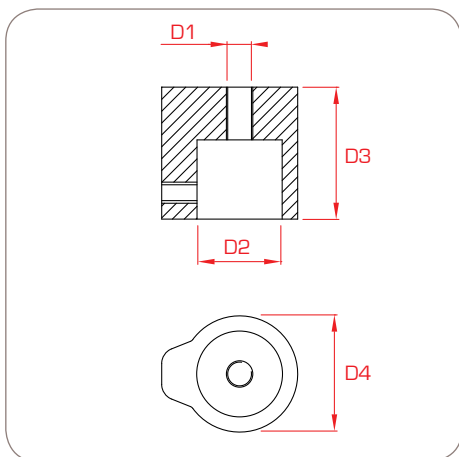




Tee Clamp	
T52400	
SWL	N/A
D1	Ø32mm (Ø1.25")
D2	Ø32mm (Ø1.25")
D3	65mm
Kg	0.29 Kg

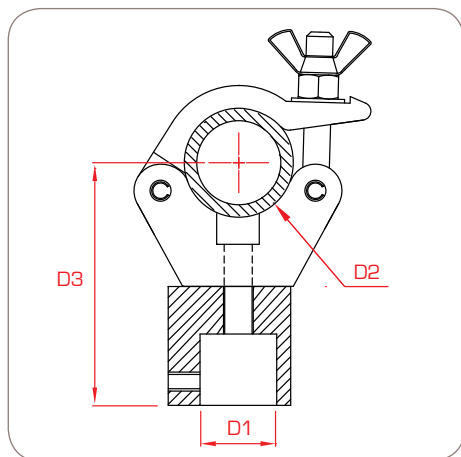
Vee Clamp	
G1350	
SWL	N/A
D1	Ø32 - Ø38mm (Ø1.25" - Ø1.50")
D2	Ø32mm (Ø1.25")
D3	45mm
Kg	0.78 Kg





Tee Bar Mounting

Part No	D1	D2	D3	D4
T50810	M10	Ø32mm (Ø1.25")	50mm	44mm
T50811	M10	Ø38mm (Ø1.50")	50mm	44mm (Club 14/22)
T50812	M12	Ø32mm (Ø1.25")	50mm	44mm
T50813	M12	Ø32mm (Ø1.25")	50mm	44mm (Club 14/22)
T50814	M10	Ø35mm	50mm	44mm (35 mm)



Stand Adaptor

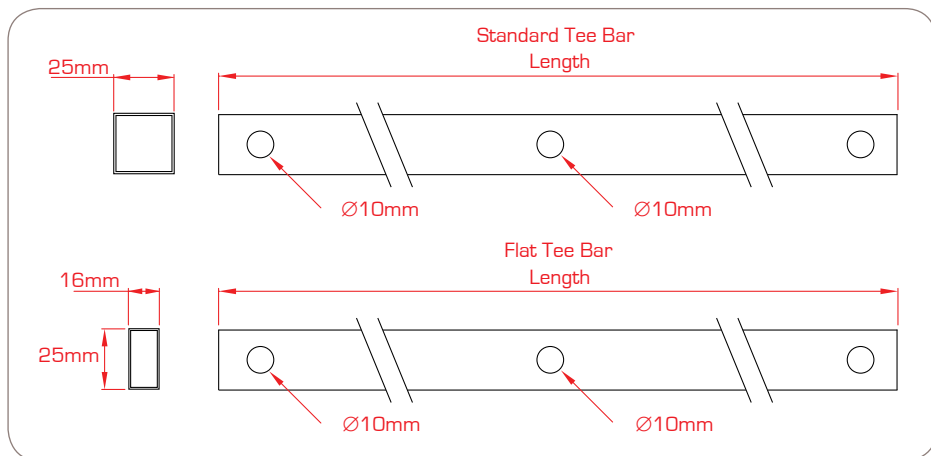
Part No	D1	D2	D3	Kg
T57220	Ø32mm (Ø1.25")	Ø48 - 51mm	105mm	0.88 Kg

The Stand Adaptor enables a Ø48 - 51mm to be mounted to a stand with a Ø32mm [1.25"] riser. Ideal for heavy duty tee bars where lamps are used with their own mounting clamps.



Tee Bars (supplied with lamp fixings)

Part No	Finish	Lamp Holes	Length	Kg
T43000 2 Lantern	Zinc Plated	2	750 mm	0.81 Kg
T43001 2 Lantern	Black Powder Paint	2	750 mm	0.80 Kg
T43003 2 Lantern (Flat)	Zinc Plated	2	750 mm	0.79 Kg
T43100 4 Lantern	Zinc Plated	4	1250 mm	1.38 Kg
T43101 4 Lantern	Black Powder Paint	4	1250 mm	1.41 Kg
T43103 4 Lantern (Flat)	Zinc Plated	4	1250 mm	1.36 Kg
T43200 6 Lantern	Zinc Plated	6	1600 mm	1.79 Kg
T43201 6 Lantern	Black Powder Paint	6	1600 mm	1.82 Kg
T43203 6 Lantern (Flat)	Zinc Plated	6	1600 mm	1.73 Kg





4 Receiver Dobo Tee Bar

PJ43100

Length	1140mm
Receivers	Ø17mm
Kg	1.62 Kg

8 Receiver Dobo Tee Bar

PJ43200

Length	1140mm
Receivers	Ø17mm
Kg	2.02 Kg

Dobo Tee Bar Mounting

PJ50900

Kg	0.12 Kg
Used to mount a Dobo Tee Bar to a Ø32mm (1.25") stand tube.	



Dobo Receiver

PJ43001



16mm Spigot

T73390	M10 Female
T73391	M6 Female
T73392	M12 Female

STANDS

Club Stands - High quality tripod stands finished in zinc plate

Studio Stands - Professional range of tripod stands with a chrome finish

Combo Stands - TV specification stand complete with multihead top and a lazy leg

Roller Stands - TV specification stand complete with multihead top and castors

Wind Up Stands - Medium duty winch operated lighting stands

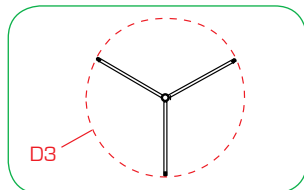
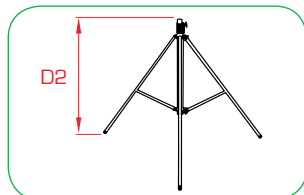
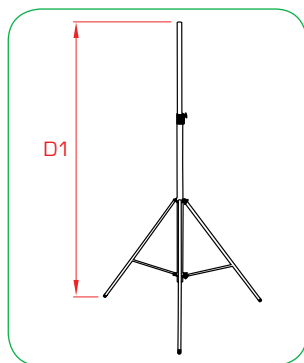
Winch Stands - Heavy duty winch operated stands for lifting truss etc.

Followspot Stands - Designed to give a high degree of stability with followspot luminaires

'C' Stands - Range of turtle based stands complete with 16mm spigot

Music Stands - Professional range of music stands designed for orchestras, music schools and rental companies

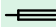


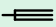


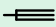
- Compact steel and aluminium construction
- Die cast aluminium lock off knobs
- Finished in high quality zinc plate or satin black powder paint
- Non slip rubber feet
- Internal safety stops



Club = Silver (zinc)
Nightclub = Black

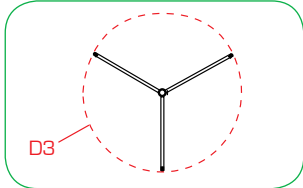
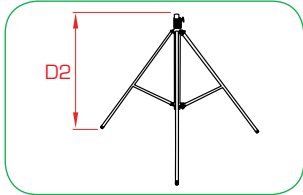
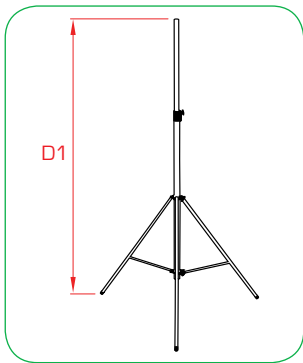
T49200	Club 25
T49465	Nightclub 25
Top Tube	Ø32mm (Ø1.25")
SWL	25 Kg
D1	2.50m
D2	1.24m
D3	1.34m
	1.23m
Kg	5.80 Kg

T49300	Club 35
T49470	Nightclub 35
Top Tube	Ø32mm (Ø1.25")
SWL	25 Kg
D1	3.50m
D2	1.64m
D3	1.60m
	1.63m
Kg	7.20 Kg

T49400	Club 475
T49475	Nightclub 475
Top Tube	Ø32mm (Ø1.25")
SWL	25 Kg
D1	4.75m
D2	2.88m
D3	1.6m
	2.88m
Kg	8.80 Kg



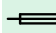
Studio = Chrome
Shadow = Black



- Chrome steel and aluminium construction
- Internal spring dampers
- Internal safety stops.
- Double leg braces
- Die cast aluminium 'lock off' knobs
- Locking castors (optional)

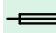
T51800 Studio-Comet

T51801 Shadow-Comet

Top Tube	Ø32mm (Ø1.25")
SWL	30 Kg
D1	2.14m
D2	1.34m
D3	1.15m
	1.16m
Kg	7.10 Kg

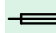
T51600 Studio-Neutron

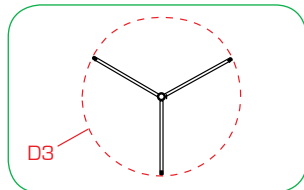
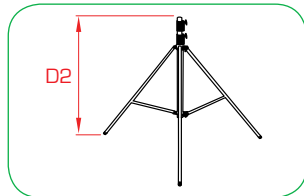
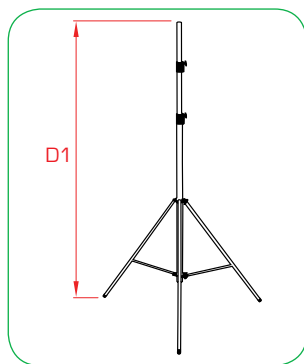
T51601 Shadow-Neutron

Top Tube	Ø32mm (Ø1.25")
SWL	30 Kg
D1	2.50m
D2	1.50m
D3	1.34m
	1.24m
Kg	7.74 Kg

T51200 Studio-Nova

T51201 Shadow-Nova

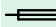
Top Tube	Ø32mm (Ø1.25")
SWL	30 Kg
D1	3.50m
D2	1.63m
D3	1.62m
	1.63m
Kg	8.88 Kg





- Chrome steel and aluminium construction
- Internal spring dampers
- Internal safety stops
- Double leg braces
- Die cast aluminium 'lock off' knobs
- Locking castors (optional)



Studio = Chrome
Shadow = Black

T51900	Studio 2000
T51901	Shadow 2000
Top Tube	Ø32mm (Ø1.25")
SWL	40 Kg
D1	2.00m
D2	1.00m
D3	1.06m
	1.11m
Kg	7.0 Kg

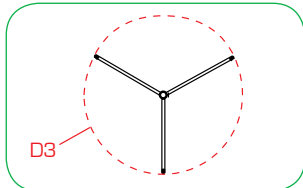
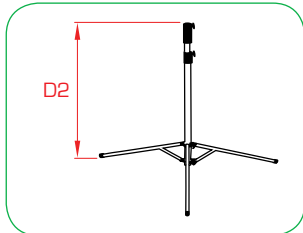
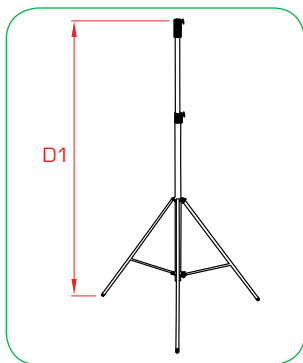
T52000	Studio 3500
T52001	Shadow 3500
Top Tube	Ø32mm (Ø1.25")
SWL	40 Kg
D1	3.50m
D2	1.32m
D3	1.47m
	1.31m
Kg	10.70 Kg


T52100	Studio 5000
T52101	Shadow 5000
Top Tube	Ø32mm (Ø1.25")
SWL	40 Kg
D1	5.00m
D2	1.72m
D3	1.75m
	1.72m
Kg	13.61 Kg





G2060 Three function multihead fitted to all Combo stands

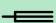
Shadow = Black





G2030	Mini Combo
G203001	Shadow
SWL	30 Kg
D1	1.12m
D2	0.72m
D3	0.72m
	0.72m
Kg	4.80 Kg

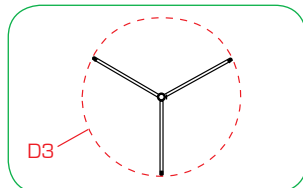
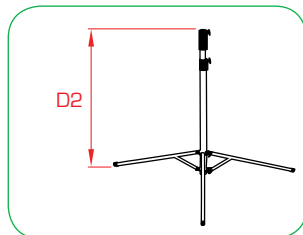
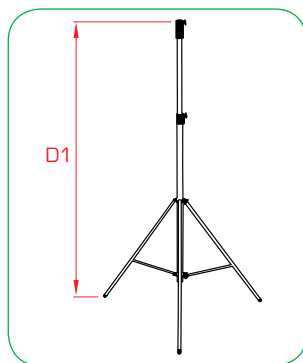
G2031	Pee Wee
G203101	Shadow
SWL	30 Kg
D1	1.75m
D2	0.78m
D3	0.72m
	0.78m
Kg	5.70 Kg

G2035	Cine Combo
G203501	Shadow
SWL	20 Kg
D1	2.16m
D2	1.17m
D3	1.15m
	1.17m
Kg	7.80 Kg

G2036	Cine Hi-Combo
G203601	Shadow
SWL	30 Kg
D1	3.16m
D2	1.23m
D3	1.15m
	1.23m
Kg	9.50 Kg

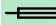
G2040	Lowboy Combo
G204001	Shadow
SWL	40 Kg
D1	2.40m
D2	1.10m
D3	0.85m
	1.08m
Kg	9.30 Kg


G2045	Combo
G204501	Shadow
SWL	40 Kg
D1	3.62m
D2	1.43m
D3	1.47m
	1.43m
Kg	12.30 Kg

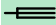


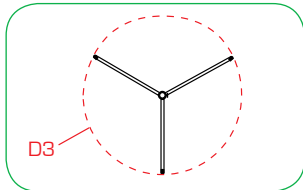
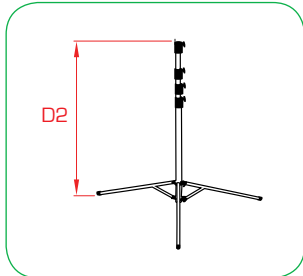
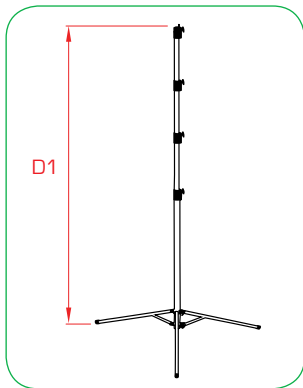
- Lazy leg for use on uneven surfaces
- Three function multihead
- Double leg braces
- Non slip rubber feet
- Internal spring dampers
- Chrome or Shadow range

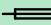


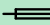
G2046	Hi-Combo
G204601	Shadow
SWL	40 Kg
D1	4.80m
D2	1.49m
D3	1.47m
	1.49m
Kg	13.70 Kg


G2050	Wide Base Hi-Combo
G205001	Shadow
SWL	40 Kg
D1	5.12m
D2	1.83m
D3	1.75m
	1.83m
Kg	15.30 Kg


G2051	Wide Base Hi-Hi-Combo
G20501	Shadow
SWL	40 Kg
D1	6.70m
D2	1.89m
D3	1.75m
	1.89m
Kg	17.10 Kg



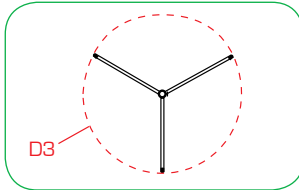
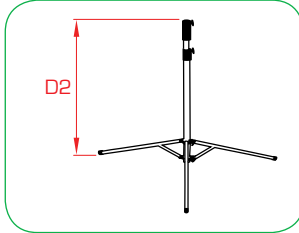
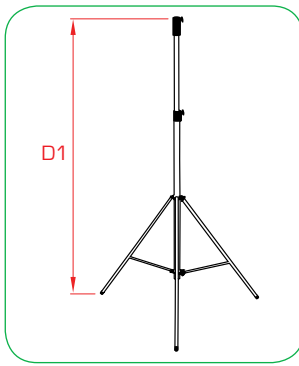
Baby Roller	
G2070	Chrome
G207001	Shadow
SWL	30 Kg
D1	2.14m
D2	1.17m
D3	1.04m
	1.34m
Kg	9.95 Kg

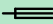
Baby Hi Roller	
G2071	Chrome
G207101	Shadow
SWL	30 Kg
D1	3.14m
D2	1.28m
D3	1.04m
	1.45m
Kg	11.3 Kg

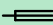
Junior Roller	
G2075	Chrome
G207501	Shadow
SWL	40 Kg
D1	3.50m
D2	1.47m
D3	1.55m
	1.59m
Kg	15.8 Kg

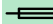
Junior Hi Roller	
G2076	Chrome
G207601	Shadow
SWL	40 Kg
D1	4.61m
D2	1.53m
D3	1.55m
	1.65m
Kg	17.1 Kg

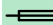
- Low profile ultra wide base
- Fitted with multihead
- Fully locking 100mm castors supplied as standard
- Heavy duty chrome and polished aluminium finish
- Die cast aluminium 'lock off' knobs
- Internal spring dampers
- No finger trap between castings
- Shadow range available

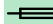


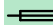
G2080	Overhead
G208001	Shadow
SWL	40 Kg
D1	4.52m
D2	1.48m
D3	1.50m
	1.48m
Kg	12.80 Kg

G2086	Hi-Roller
G208601	Shadow
SWL	40 Kg
D1	6.37m
D2	1.89m
D3	1.55m
	2.01m
Kg	15.70 Kg

G2081	Hi-Overhead
G208101	Shadow
SWL	40 Kg
D1	6.37m
D2	1.89m
D3	1.50m
	1.89m
Kg	15.20 Kg

G2090	Wide Base
G209001	Shadow
SWL	40 Kg
D1	5.12m
D2	1.83m
D3	1.75m
	1.83m
Kg	15.60 Kg

G2085	Roller Overhead
G208501	Shadow
SWL	40 Kg
D1	4.61m
D2	1.53m
D3	1.55m
	1.65m
Kg	15.30 Kg

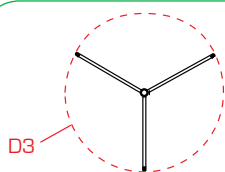
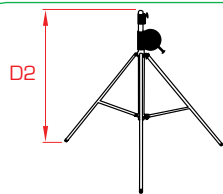
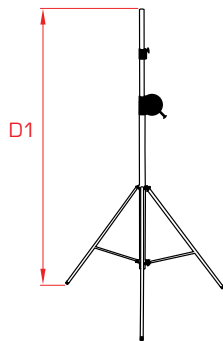
G2091	Wide Base Hi
G209101	Shadow
SWL	40 Kg
D1	6.70m
D2	1.89m
D3	1.75m
	1.89m
Kg	17.50 Kg






29mm Receiver
fitted to all
Nebula stands

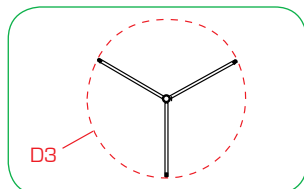
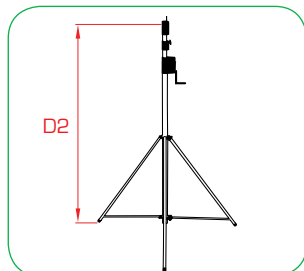
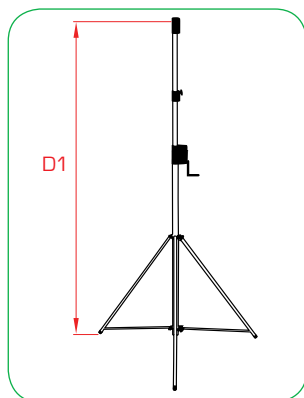


Shadow = Black

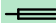


- Slimline self-braking winch
- Robust steel and aluminium construction
- Internal and external safety stops
- Non slip rubber feet
- Double leg braces
- Die cast 'lock off' knobs

Nebula 20		Nebula 33		Nebula 42	
T551 10	Chrome	T55200	Chrome	T55500	Chrome
T551 11	Shadow	T55201	Shadow	T55501	Shadow
SWL	60 Kg	SWL	60 Kg	SWL	60 Kg
D1	2.24m	D1	3.30m	D1	4.20m
D2	1.31m	D2	1.70m	D2	2.10m
D3	1.06m	D3	1.47m	D3	1.75m
	1.31m		1.70m		2.31m
Kg	11.0 Kg	Kg	13.0 Kg	Kg	17.0 Kg



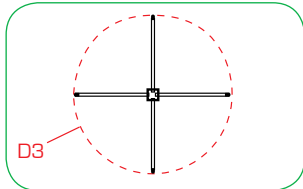
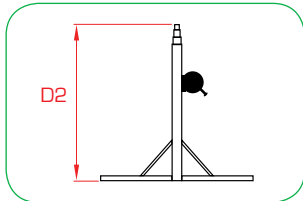
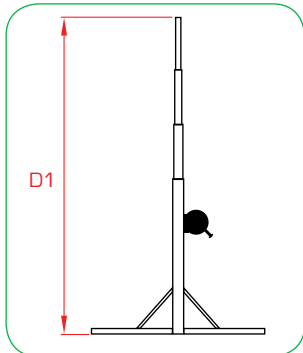
- Accepts 16 & 28 mm spigots
- Unique auto safety lock
- Self braking clutch/winch
- Fold away winch handle

Easylift	
T55510	Chrome
T55511	Black
SWL	30 Kg
D1	3.80m
D2	1.74m
D3	1.24m
	1.86m
Kg	22.0 Kg

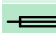




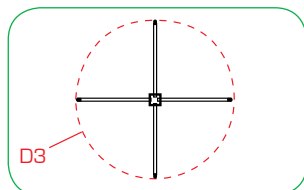
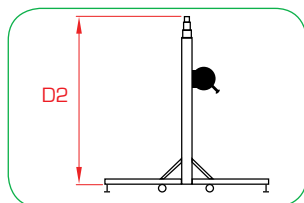
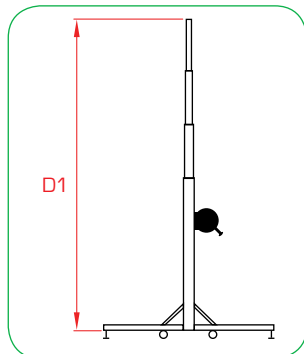
29mm Receiver fitted to all Strata stands



Strata - Turnbuckle Base

T55569	Strata 515T
SWL	150 Kg
D1	5.22m
D2	1.73m
D3	1.96m
	1.85m
Kg	47.0 Kg

- Four sections giving a low loading height
- A unique self locking system
- Single person operation
- Accepts standard 28mm spigots
- Powder paint finish



- Four sections giving a low loading height
- A unique self locking system
- Single person operation
- Accepts standard 28mm spigots
- Powder paint finish

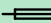


29mm Receiver
fitted to all
Strata stands

Strata - Roller Base

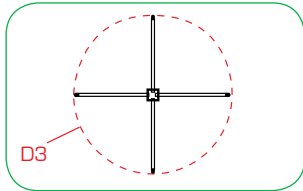
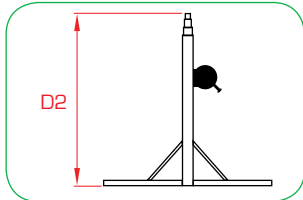
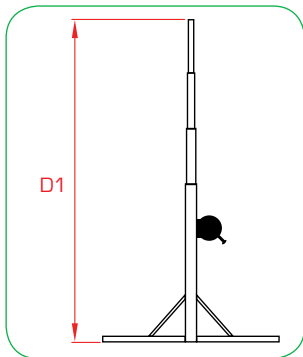
T55567

Strata 515R

SWL	150 Kg
D1	5.34m
D2	1.85m
D3	2.0m
	1.85m
Kg	52.5 Kg

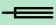
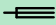


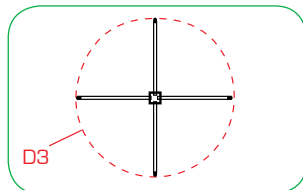
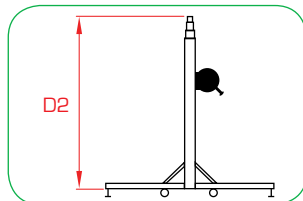
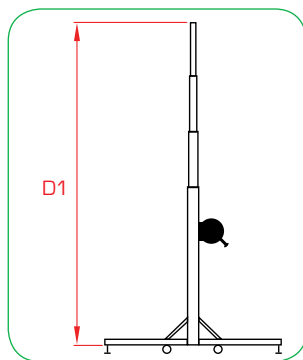
29mm Receiver fitted to all Zenith stands



- Four sections giving a low loading height
- A unique self locking system
- Single person operation
- Accepts standard 28mm spigots
- Powder paint finish

Zenith - Turnbuckle Base

T55582	Zenith 520T	T55592	Zenith 620T
SWL	200 Kg	SWL	200 Kg
D1	5.24m	D1	6.10m
D2	1.72m	D2	1.93m
D3	2.0m	D3	2.0m
	1.72m		1.93m
Kg	76.0 Kg	Kg	82.0 Kg



- Four sections giving a low loading height
- A unique self locking system
- Single person operation
- Accepts standard 28mm spigots
- Powder paint finish



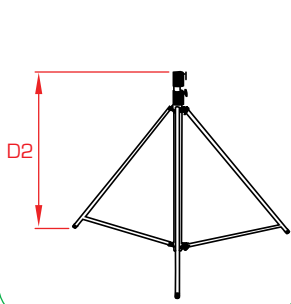
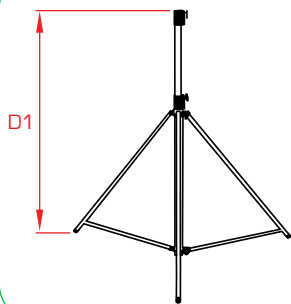
29mm Receiver fitted to all Zenith stands

Zenith - Roller Base

T55580	Zenith 520R	T55590	Zenith 620R
SWL	200 Kg	SWL	200 Kg
D1	5.37m	D1	6.23m
D2	1.85m	D2	2.06m
D3	2.15m	D3	2.15m
	1.85m		2.06m
Kg	93.5 Kg	Kg	99.5 Kg



Shadow = Black



T51700 Followspot

T51701 Shadow

SWL 40 Kg

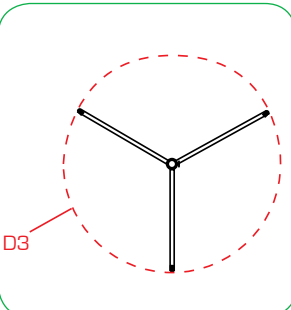
D1 1.41m

D2 0.88m

D3 1.06m

— 1.03m

Kg 5.90 Kg



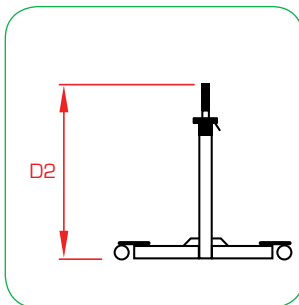
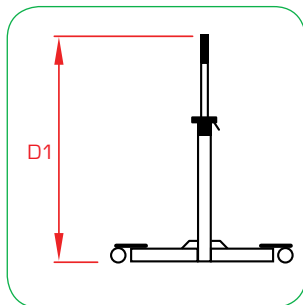
TV Roller Race

T74200 Euro Spec

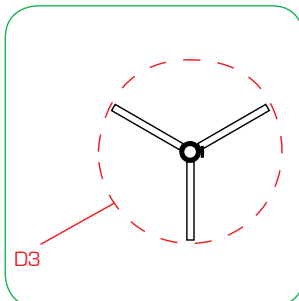
T74201 Din Spec

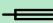


29mm Receiver

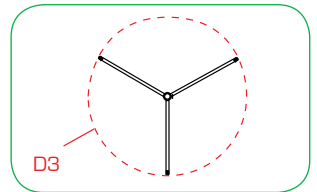
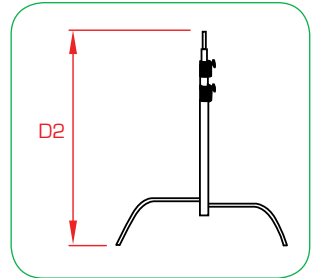
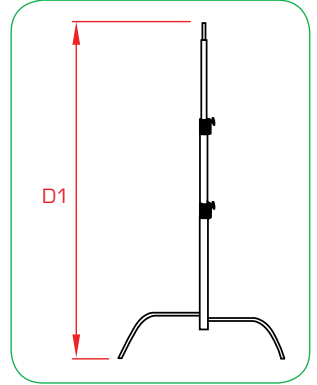



T72700 Din Spec
T72800 Euro Spec

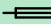


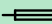
Professional Followspot	
T54402	
SWL	75 Kg
D1	1.30m
D2	0.76m
D3	0.60m
	0.73m
Kg	20.0 Kg

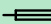
- High degree of stability
- Rapidly dismantled for transportation
- Positive lock height adjustment
- Suitable for use with a variety of followspots
- Steel and aluminium construction
- Finished in black powder paint



20" C Stand	
G2005	Chrome
G200501	Shadow
SWL	10 Kg
D1	1.70m
D2	0.88m
D3	0.95m
	0.88m
Kg	6.20 Kg

30" C Stand	
G2006	Chrome
G200601	Shadow
SWL	10 Kg
D1	2.50m
D2	1.18m
D3	0.95m
	1.18m
Kg	6.80 Kg

40" C Stand	
G2007	Chrome
G200701	Shadow
SWL	10 Kg
D1	3.26m
D2	1.39m
D3	0.95m
	1.39m
Kg	8.0 Kg

60" C Stand	
G2008	Chrome
G200801	Shadow
SWL	10 Kg
D1	4.80m
D2	1.90m
D3	0.95m
	1.90m
Kg	8.80 Kg

- Spring loaded folding base
- Sliding leg for uneven surfaces
- Integral 16mm spigot
- Internal spring dampers
- No finger trap between castings



Opera Stand

T47502 fitted with a single lamp



Opera Conductors Stand

T47518 fitted with a quad bulb lamp

- Constant friction joints allow the tray to be instantly positioned
- Shaped and weighted base for stability and comfort
- Telescopic uprights providing up to 600mm of height adjustment
- Detachable base for ease of transportation and storage
- Finished in black nylon scratch resistant coating
- IEC daisy chain system available



SPIGOTS

A complete range of spigots and adaptors for use in studios, theatres and entertainment venues.

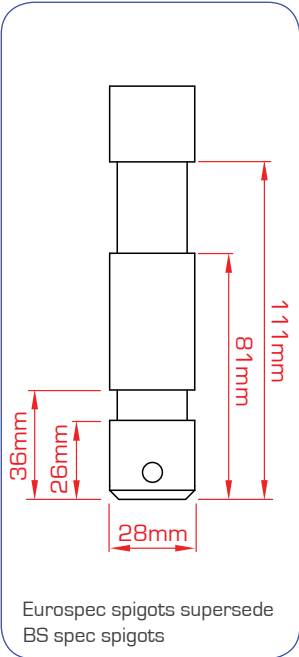
Universal standards of 28mm and 16mm spigots and adaptors manufactured from chromed plated steel and polished aluminium.

Special spigots are available on request.



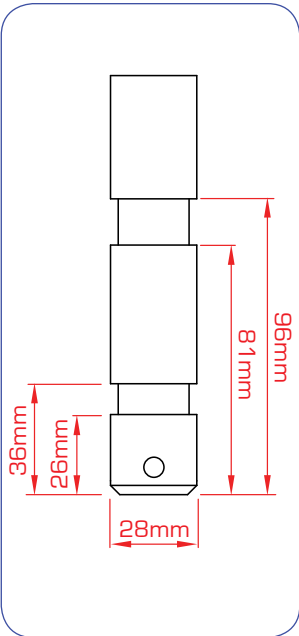
Euro and Din Spec

Euro Spec



Eurospec spigots supersede BS spec spigots

Din Spec



T74300 - M10 Steel
 T74302 - M10 Aluminium
 T74301 - M12 Steel
 T74303 - M12 Aluminium



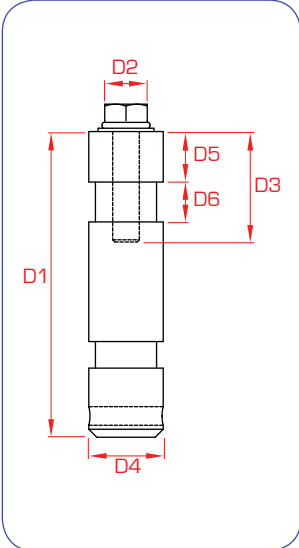
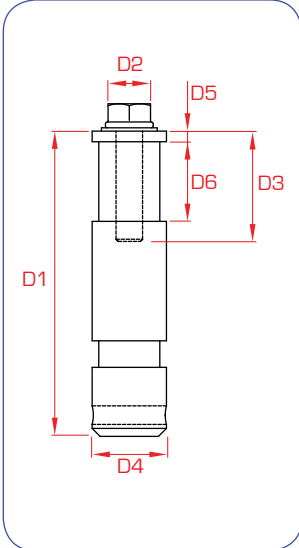
T74310 - M10 Steel
 T74311 - M10 Aluminium
 T74315 - M12 Steel
 T74316 - M12 Aluminium

Female Short Shank (Eurospec)

D1	115mm
D2	M10/M12
D3	40mm
D4	Ø28mm
D5	4mm
D6	30mm
Kg	0.5 Kg

Female Short Shank (DIN Spec)

D1	115mm
D2	M10/M12
D3	40mm
D4	Ø28mm
D5	19mm
D6	15mm
Kg	0.52 Kg





T74700 - M10 Steel
 T74705 - M10 Aluminium
 T74710 - M12 Steel
 T74500 - M12 Aluminium



T74715 - M10 Steel
 T74720 - M10 Aluminium
 T74725 - M12 Steel
 T74600 - M12 Aluminium



T73305 - M10 Steel (DIN Spec)
 T73000 - M10 Steel (Eurospec)
 T73100 - M12 Steel (Eurospec)

Female Long Shank (Eurospec)

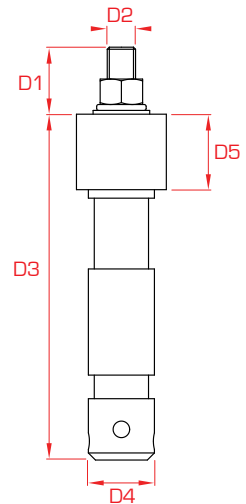
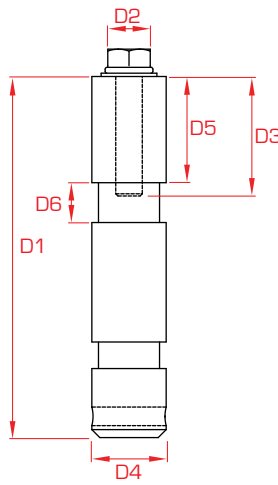
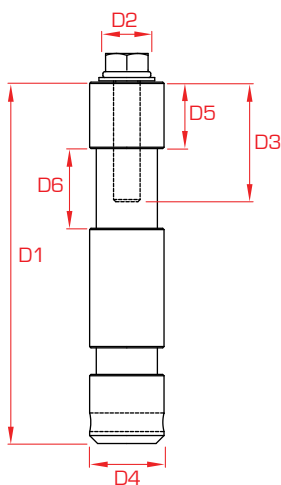
D1	136mm
D2	M10/M12
D3	40mm
D4	Ø28mm
D5	25mm
D6	30mm
Kg	0.59 Kg

Female Long Shank (DIN Spec)

D1	136mm
D2	M10/M12
D3	40mm
D4	Ø28mm
D5	40mm
D6	15mm
Kg	0.61 Kg

TV Spigot Male

D1	28mm
D2	M10/M12
D3	147mm
D4	Ø28mm
D5	32mm
Kg	0.79 Kg





T73102



T72700 - 120mm dia (DIN Spec)
T72800 - 120mm dia (Eurospec)

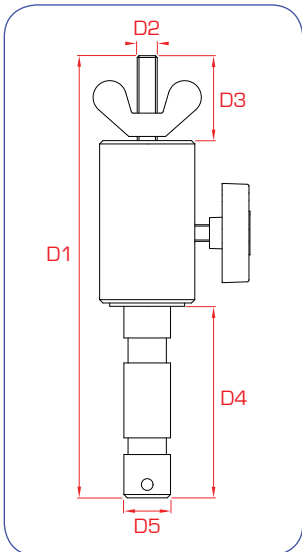
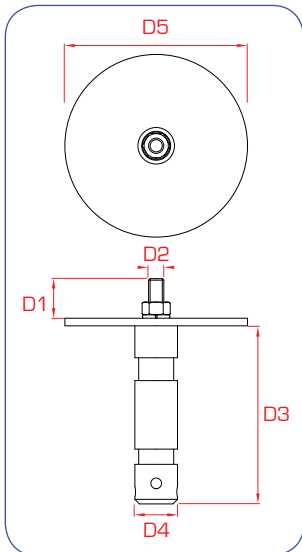
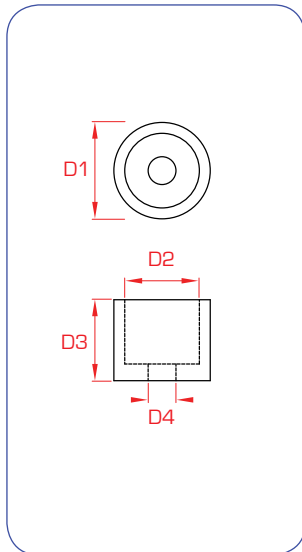


T74200 - (DIN Spec)
T74201 - (Eurospec)

End Cap	
D1	Ø38.1mm
D2	Ø29mm
D3	32mm
D4	Ø11mm
Kg	0.14 Kg

Followspot c/w Plate	
D1	26mm
D2	M10/M12
D3	117mm
D4	Ø28mm
D5	Ø120mm
Kg	0.97 Kg

TV Roller Race	
D1	265mm
D2	M12
D3	51mm
D4	115mm
D5	Ø28mm
Kg:	2.5 Kg





T74400



T73400 - M10 Aluminium
 T73401 - M10 Steel
 T73500 - M12 Aluminium
 T73501 - M12 Steel



T73350 - M10 Female Aluminium
 T73360 - M12 Female Aluminium

35mm Speaker Spigot

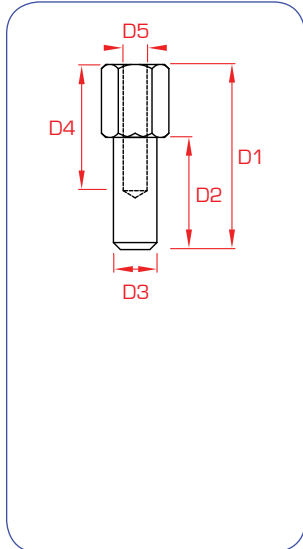
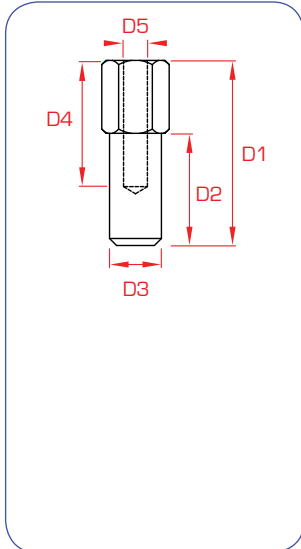
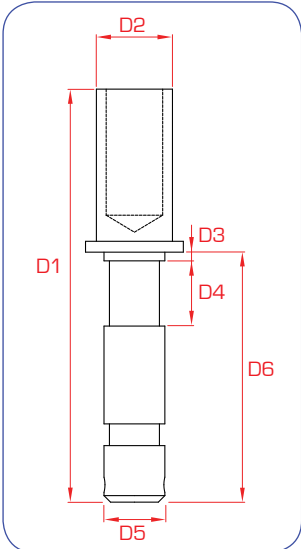
D1	190mm
D2	∅35mm
D3	4mm
D4	30mm
D5	∅28mm
D6	115mm
Kg:	0.76 Kg

19mm Standard

D1	66mm
D2	40mm
D3	∅19.0mm
D4	45mm
D5	M10/M12
Kg	0.13 Kg

16mm Spigot

D1	66mm
D2	40mm
D3	∅16.0mm
D4	45mm
D5	M10/M12
Kg	0.04 Kg





T73900 - Steel



T73370 - M8 Female Aluminium
T73380 - M10 Female Aluminium



T73390 - M10 Female Aluminium
T73391 - M6 Female Aluminium
T73392 - M12 Female Aluminium

16mm Mini Lighting Spigot

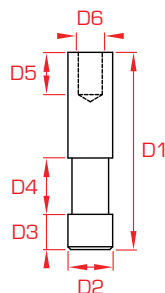
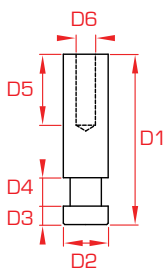
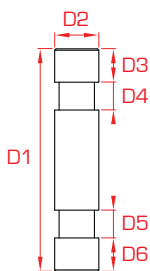
D1	80mm
D2	Ø16mm
D3	12mm
D4	10mm
D5	10mm
D6	12mm
Kg	0.11 Kg

16mm Solo

D1	60mm
D2	Ø16.0mm
D3	6.5mm
D4	10mm
D5	25mm
D6	M8/M10
Kg	0.03 Kg

16mm Beamer

D1	70mm
D2	Ø16mm
D3	12.5mm
D4	20mm
D5	15mm
D6	M6/M10/M12
Kg	0.03 Kg





G1188 - Stainless Steel



G1198 - Steel
G1199 - Aluminium



G1196 - Steel
G1195 - Aluminium

16mm Spigot Male

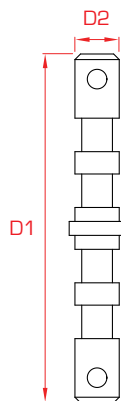
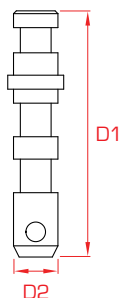
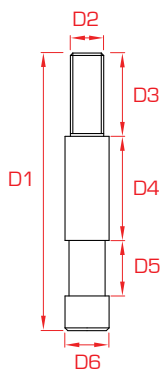
D1	100mm
D2	M12
D3	30mm
D4	37.5mm
D5	20mm
D6	Ø16mm
Kg	0.02 Kg

16mm Lighting Spigot

D1	88mm
D2	Ø16mm
Kg	0.11 Kg

16mm Grip Spigot

D1	125mm
D2	Ø16mm
Kg	0.15 Kg





T74100 - 28mm x 16mm
T74000 - 28mm x 19mm



T73801 - (DIN Spec)
T73800 - (Eurospec)



T74307 - M10
T74308 - M12

TV Adaptor

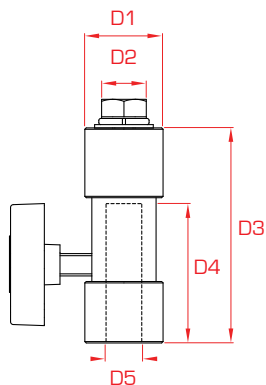
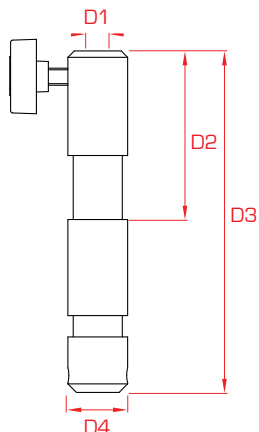
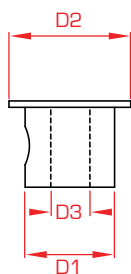
D1	Ø28mm
D2	Ø38.1mm
D3	Ø16.5 - 19.5mm
Kg	0.90 Kg

Reducer 28mm x 16mm

D1	Ø16.5mm
D2	80mm
D3	160mm
D4	Ø28mm
Kg	0.60 Kg

Adaptor TV Standard

D1	Ø28mm
D2	M10 or M12
D3	77mm
D4	50mm
D5	Ø16.5mm
Kg	0.33 Kg





G1193 - 28mm x 16mm Steel
G1194 - 28mm x 16mm Alum



G1190 - 28mm x 16mm Steel
G1191 - 28mm x 16mm Alum



G1192

TV Lighting Spigot (DIN Spec)

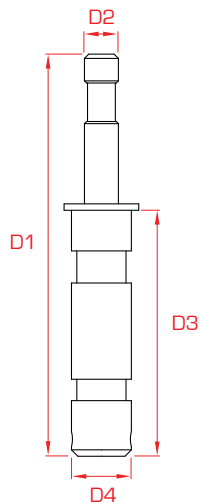
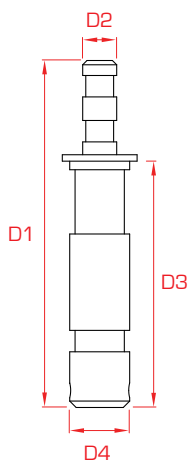
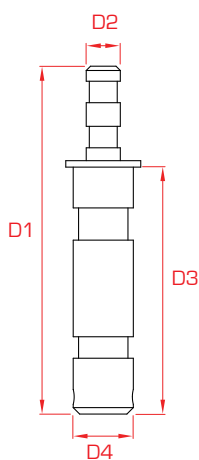
D1	162mm
D2	Ø16mm
D3	115mm
D4	Ø28mm
Kg	0.58 Kg

TV Lighting Spigot (Eurospec)

D1	162mm
D2	Ø16mm
D3	115mm
D4	Ø28mm
Kg	0.56 Kg

Standard Adaptor (DIN Spec)

D1	188mm
D2	Ø16mm
D3	115mm
D4	Ø28mm
Kg	0.62 Kg





G1189



G1002 - 29mm x 16mm



G1003 - 16mm x 16mm

Standard Adaptor (Eurospec)

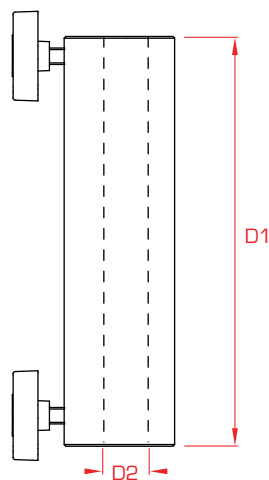
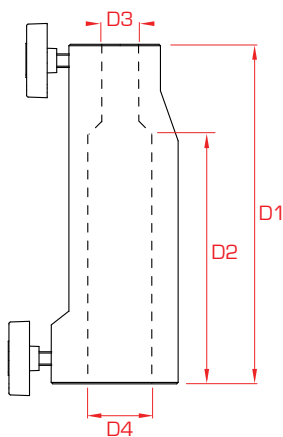
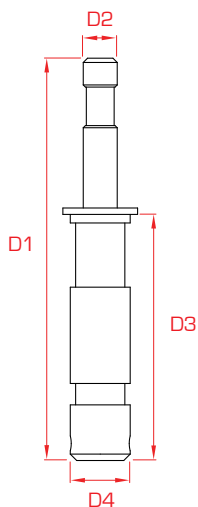
D1	188mm
D2	Ø16mm
D3	115mm
D4	Ø28mm
Kg	0.60 Kg

Socket Adaptor

D1	170mm
D2	120mm
D3	Ø16.5mm
D4	Ø29mm
Kg	0.43 Kg

Socket Adaptor

D1	145mm
D2	Ø16.5mm
Kg	0.34 Kg



IWB'S

The Doughty® Internally Wired Bar range features a unique extruded side mounted terminal box allowing increased access. Sockets are mounted in tough injection moulded ABS socket boxes.

A full range of sockets is held in stock to ensure an efficient service is maintained. Physical Segregation is available for Data Connections etc.

All IWB's are made to order and we are able to offer a bespoke service to a customer's requirements.

Built and tested to the following standards:

- Low voltage directive (2006/95/EC)
- EN60065
- BS EN60059
- BS 7906-1:2003

Safe working loads:

- 78Kg uniformly distributed between 2 metre suspension points
- 39Kg point load between 2 metre suspension points





13 Amp Socket



15 Amp Socket



16 Amp Socket



XLR



RJ45



Schuko



Special Boxes



Socapex Termination



Metal Socket Boxes



Extruded Side Mounted Terminal Box



19 PIN CONNECTORS

These Connectors are manufactured with a one piece die cast aluminium body, and feature 24 carat gold plated pins housed in a base of temperature resistant plastic. There are three types of connector available; chassis mounting (SF & SM), standard body (LF & LM), and long body (LFL & LML).

Standard Connectors are appropriate where the multi-core cable is to attach directly to a pre-wired bar or dimmer/amp rack.

Where as Long body connectors are ideally suited for use in cable extensions. All connectors are designed to provide a high degree of protection against dust and moisture incursion. Long bodied connectors are additionally available with factory fitted cable strain relief socks (LFLC) & (LMLC).

Technical Specifications

Maximum Load Current	20A @ 220V
Insulation	DC500V, 500M ohm
Operating temperature	5° to 80° C
Touch tension	2 Kg
Terminal wear	5000 + connections
Body	Dies cast aluminium
Finish	Black anodised
Pins	24 carat gold plate





Chassis Female

C19SF



Chassis Male

C19SM



Cable Female

C19LF



Cable Male

C19LM



Long Cable Female

C19FL



Long Cable Male

C19ML



Long Cable Female + Sock

C19FLC



Long Cable Male + Sock

C19MLC



Dust Cover Female

C19DT104



Dust Cover Male

C19DT105



Sealer Ring

C19DT116



Gasket for Chassis Connectors

C19DT117

RACK FRAMES

An extensive range of economical wall mounted rack units with an enclosed top and base, and open rear and sides



Rack Frames		
Part No		Kg
T26000	4 RU x 305mm	4.36 Kg
T26100	8 RU x 305mm	4.86 Kg
T26110	8 RU x 485mm	6.83 Kg
T26120	9 RU x 305mm	7.08 Kg
T26200	12 RU x 305mm	5.12 Kg
T26201	12 RU x 485mm	7.09 Kg
T26300	16 RU x 305mm	5.80 Kg
T26310	20 RU x 305mm	5.95 Kg
T2634001	M6 cage nuts (100)	
T2634501	M6 x 20 Pan pozi screws (100)	

Steel Blanking Panels		
Part No		Kg
T26400	Single Panel	0.23 Kg
T26500	Double Panel	0.40 Kg
T26600	Triple Panel	0.58 Kg
T26700	Quad Panel	0.74 Kg

Aluminium Blanking Panels		
Part No		Kg
T26800	Single Panel	0.18 Kg
T26900	Double Panel	0.36 Kg
T27000	Triple Panel	0.54 Kg
T27100	Quad Panel	0.72 Kg

Manufactured with a folded lip, these blanking panels fit any standard 19" racks.

ELECTRICAL CONNECTORS

A range of 240V 16amp connectors.



16A 240V In Line Plug

E1021/01



16A 240V In Line Plug

E1023/01



16A 240V Chassis Socket (black)

E1025/01



16A 240V Chassis Socket

E1025

FACILITY PANELS

We offer an extensive range of standard facility panels, encompassing a variety of different power/signal distribution requirements, and may be specified as wired or un-wired.

Panels are either of traditional welded steel construction, or utilising our aluminium extrusion for smaller applications. The extruded construction of the smaller panels is lightweight and robust, and features an integral din rail. Due to its relative simplicity, it is an impressively economical option. The steel enclosures are fabricated from mild steel and feature a black powder paint finish.

Special panels are available on request, designed and manufactured to your specifications.



CORD PATCH UNITS

Cord Patch Units (CPU's) are available in a range of standard configurations from 6 to 72 outlets. CPU's are manufactured from an aluminium extrusion with a steel face plate and apron. Larger units are available on request and will be of an all steel construction.



DISTRIBUTION BOXES

A range of Distribution Boxes are available built to your requirements.



STUDIO RAIL

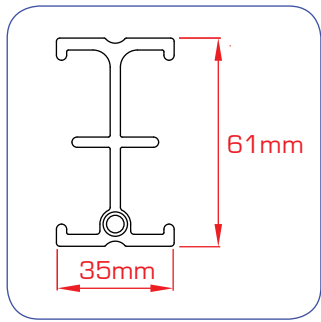
Studio Rail is an extruded aluminium rail available with all the necessary components required to install a comprehensive overhead studio rail system.

These are available in a choice of natural aluminium or black anodised finish. Studio Rail features a unique joint pin system which aids rail alignment and installation.

Studio Rail is available in straight lengths from two to six metres and six standard radius curves with special curves made to order.

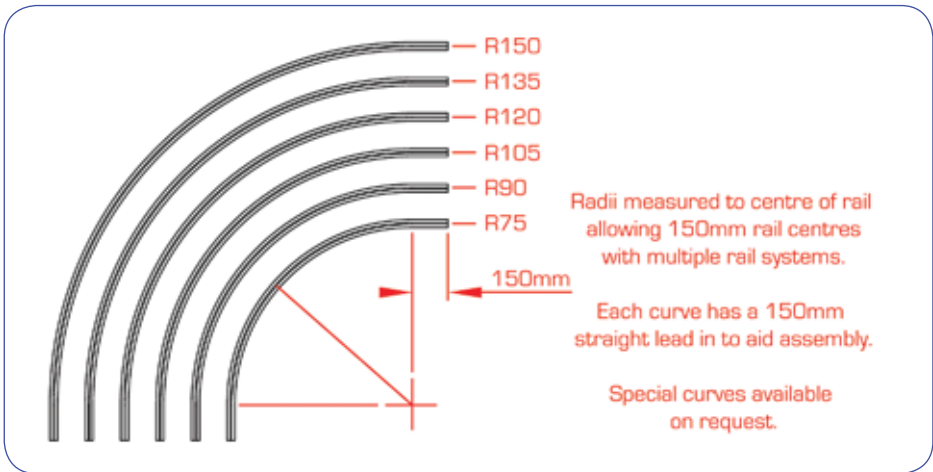
As with most Doughty® products Studio Rail is manufactured in house. We hold an extensive range in stock ready for rapid delivery and are able to offer special bespoke designs and components to customer requirements.





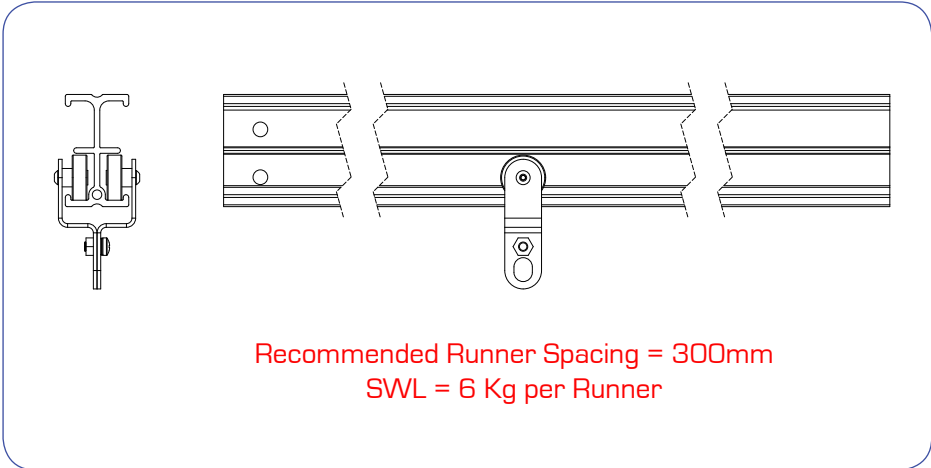
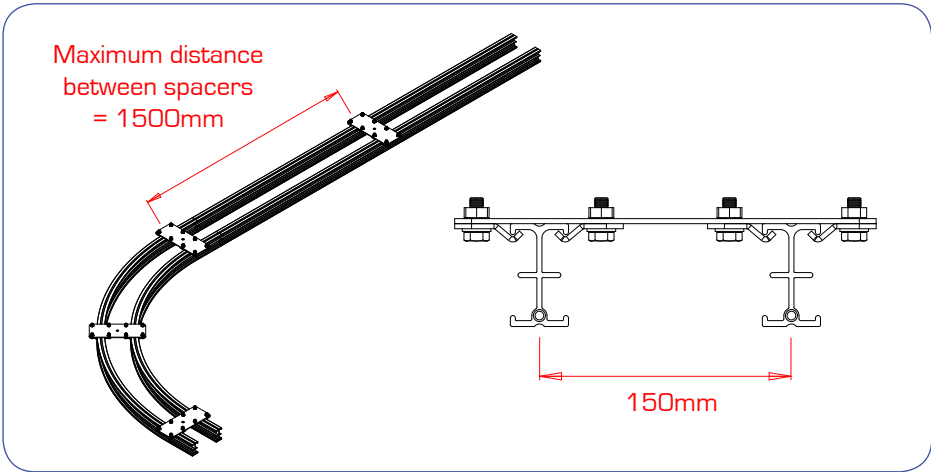
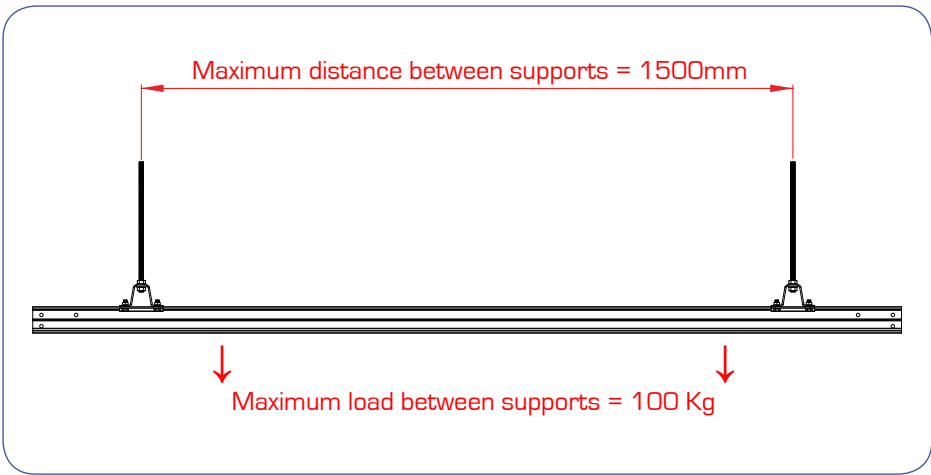
Straight Rail

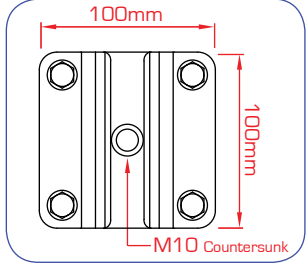
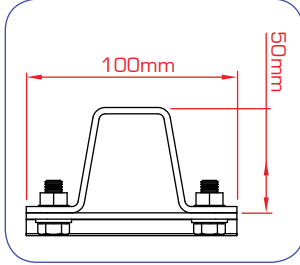
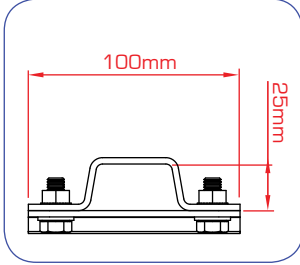
Silver			Black		
T84000	2.00 metre	2.90 Kg	T84035	2.00 metre	2.90 Kg
T84005	3.00 metre	4.30 Kg	T84040	3.00 metre	4.30 Kg
T84010	4.00 metre	5.80 Kg	T84045	4.00 metre	5.80 Kg
T84015	6.00 metre	8.60 Kg	T84050	6.00 metre	8.60 Kg



Curved Track 90°

Silver			Black		
T84017	R=75	2.15 Kg	T84052	R=75	2.15 Kg
T84018	R=90	2.49 Kg	T84053	R=90	2.49 Kg
T84019	R=105	2.83 Kg	T84054	R=105	2.83 Kg
T84020	R=120	3.18 Kg	T84055	R=120	3.18 Kg
T84025	R=135	3.51 Kg	T84060	R=135	3.51 Kg
T84030	R=150	3.85 Kg	T84065	R=150	3.85 Kg





Ceiling Bracket (25mm)

T84120	0.52 Kg
SWL	100 Kg

Accepts M10 or M12 fixings.
Supplied with Rail Clamps.

Ceiling Bracket (50mm)

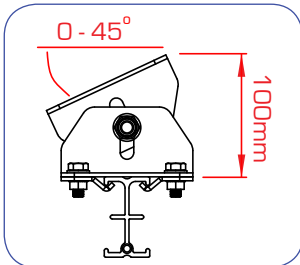
T84121	0.60 Kg
SWL	100 Kg

Accepts M10 or M12 fixings.
Supplied with Rail Clamps.

Countersunk Bracket Flat

T84125	0.45 Kg
SWL	100 Kg

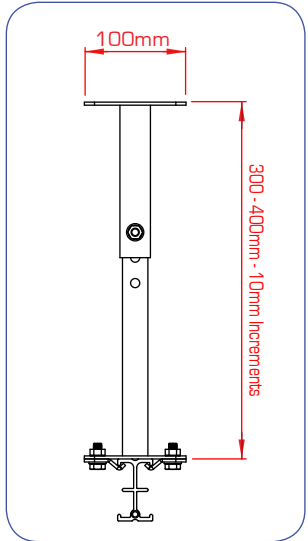
A flat plate with countersunk hole, supplied with Rail Clamps



Adjustable Angle Bracket

T84165	0.90 Kg
SWL	100 Kg

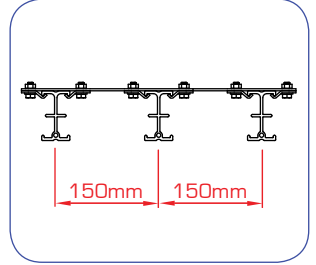
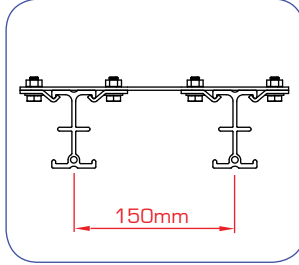
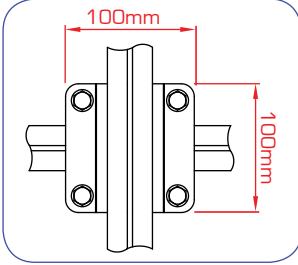
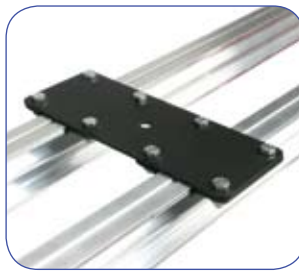
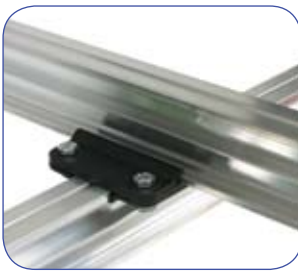
Supplied with Rail Clamps.



Adjustable Extension

T84160	1.35 Kg
SWL	100 Kg

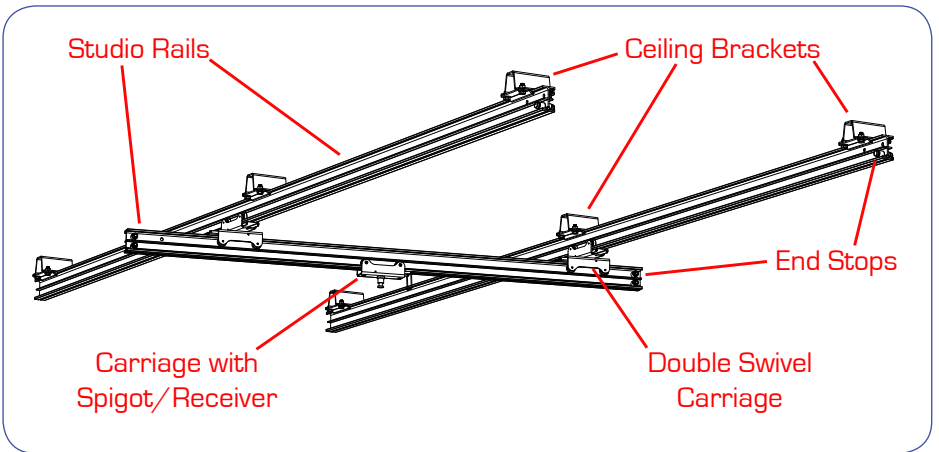
Supplied with Rail Clamps.



90° Crossover Bracket	
T84130	0.65 Kg
SWL	100 Kg
Supplied with 4 x Rail Clamps.	

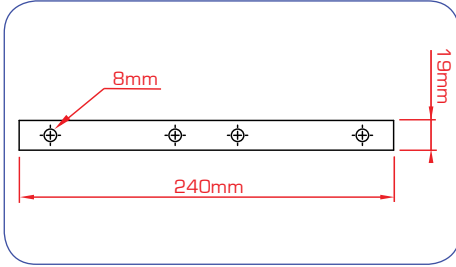
Spacer Plate Double Rail	
T84110	1.00 Kg
SWL	N/A
Supplied with 4 x Rail Clamps	

Spacer Plate Triple Rail	
T84115	1.30 Kg
SWL	N/A
Supplied with 6 x Rail Clamps.	



A typical studio installation showing two parallel rails mounted with Ceiling Brackets and a slewing rail connected with a pair of Double Swivel Carriages.

The slewing rail can be positioned anywhere on the parallel rails suspending a luminaire via a Carriage with Spigot or Receiver. The End Stops ensure the carriages cannot run past the rail ends.



Joiner Kit

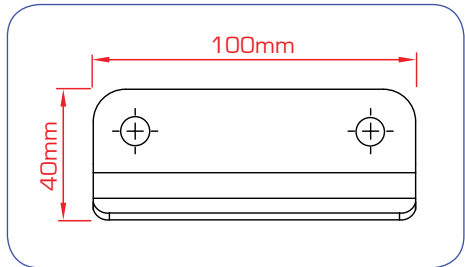
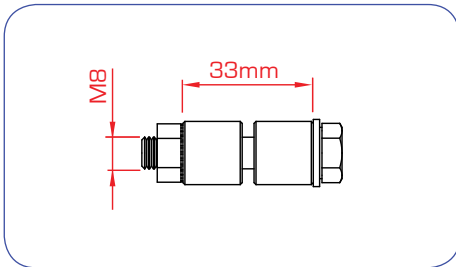
T84070	Silver	0.20 Kg
T84071	Black	0.20 Kg

Supplied with Joint Pin.

Spare Joint Pins x 5

T84075	0.04 Kg
--------	---------

The Joint Pins aid assembly and rail alignment.



Studio Rail End Stops x 4

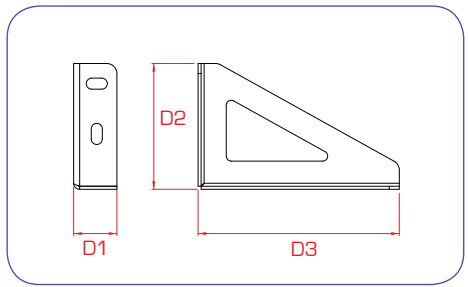
T84080	0.13 Kg
--------	---------

A pair of nylon end stops, supplied as 4 sets.

Rail Clamps x 2

T84085	0.17 Kg
--------	---------

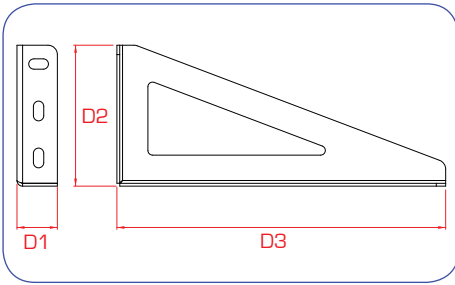
A pair of steel rail clamps, can be used to clamp rail directly to a solid surface.



Studio Rail Slotted Wall Bracket 200mm

	SWL	D1	D2	D3	Kg
T84105	25 Kg	43mm	125mm	200mm	0.55 Kg

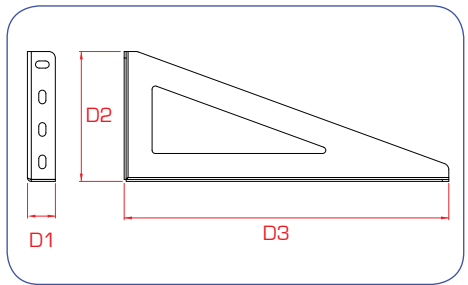
Can be used with T84120 Ceiling Bracket.



Studio Rail Slotted Wall Bracket 350mm

	SWL	D1	D2	D3	Kg
T84106	25 Kg	43mm	150mm	350mm	0.90 Kg

Can be used with T84120 Ceiling Bracket.



Studio Rail Slotted Wall Bracket 500mm

	SWL	D1	D2	D3	Kg
T84107	25 Kg	43mm	200mm	500mm	1.50 Kg

Can be used with T84120 Ceiling Bracket.



Cable Carriage x 5

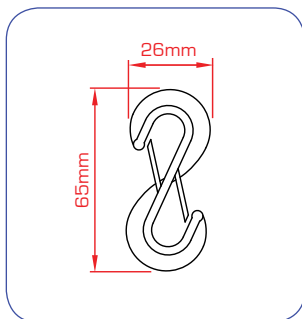
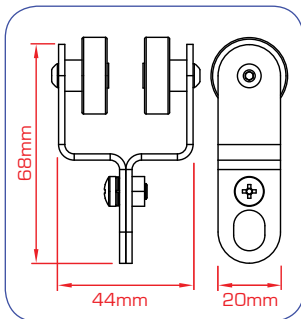
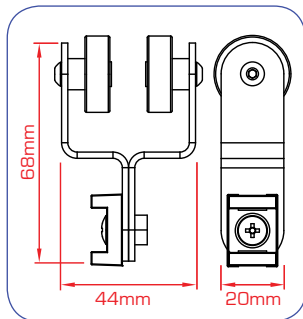
T84220 SWL 6 Kg
Steel frame with bearings

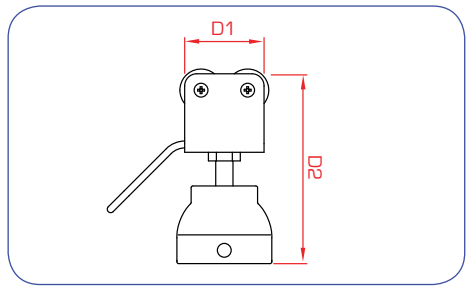
Curtain Carriage x 5

T84225 SWL 6 Kg
Steel frame with bearings

Twin Hook

T63796 SWL 6 Kg

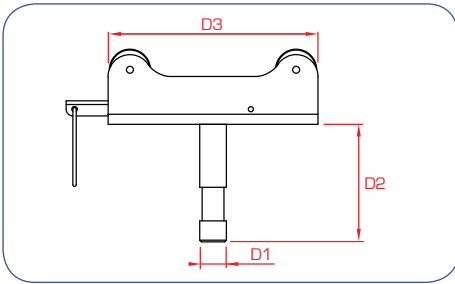




Cupped Curtain Brake

	SWL	D1	D2	D3	Kg
T84230	N/A	45mm	110mm	N/A	0.35 Kg

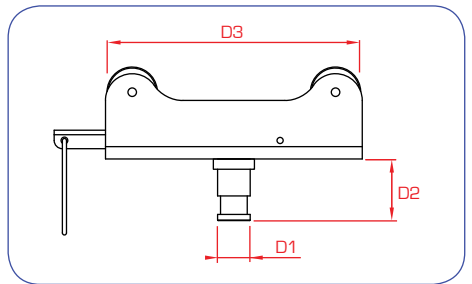
Predominantly used to anchor each end of a curtain.



4 Wheel Carriage with 16mm Spigot

	SWL	D1	D2	D3	Kg
T84185	50 Kg	16mm	70mm	125mm	0.50 Kg

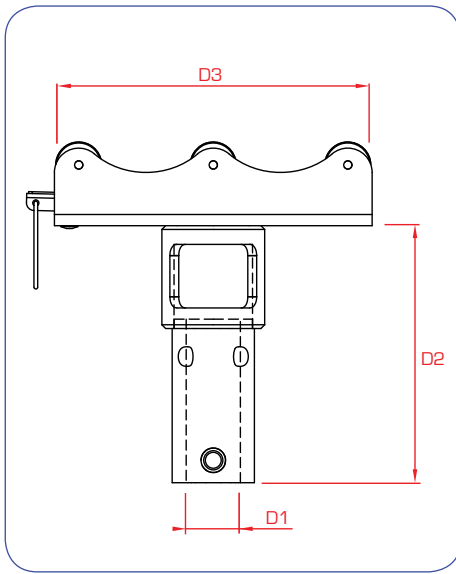
Designed to accept a 16mm receiver and fitted with a friction brake as standard.



4 Wheel Carriage with 16mm Mini Spigot

	SWL	D1	D2	D3	Kg
T84186	50 Kg	16mm	30mm	125mm	0.45 Kg

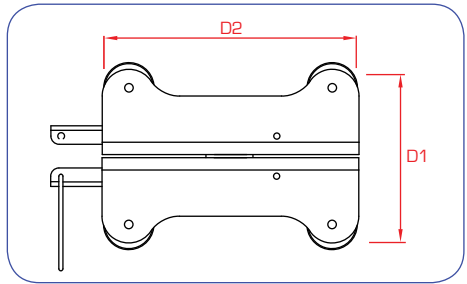
Designed to accept a 16mm receiver and fitted with a friction brake as standard.



6 Wheel 28mm Receiver Carriage

	SWL	D1	D2	D3	Kg
T84205	100 Kg	29mm	138mm	170mm	1.10 Kg

A six wheel carriage fitted with a brake and 3 point 28mm receiver.

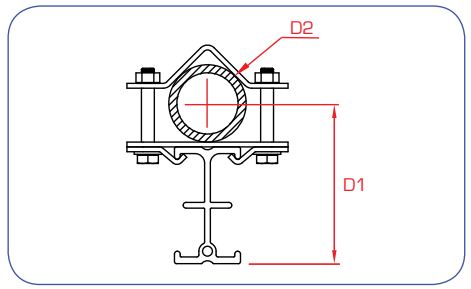


4 Wheel Double Swivel Carriage

	SWL	D1	D2	D3	Kg
T84215	75 Kg	85mm	125mm	N/A	0.90 Kg

The double swivel carriage enables two rails to be mounted on top of one another. Ideal for use where two parallel rails are installed with cross rails to suspend the luminaires etc.





Rail to Tube Bracket

	SWL	D1	D2	D3	Kg
T84180	100 Kg	100mm	48 - 51mm	N/A	0.80 Kg

This bracket enables Studio Rail to be mounted to 48 - 51 mm diameter tubes.



Studio Rail - Swivel Arm

T84515	supplied fitted to a six wheel carriage	Working Load up to 25 Kg
T84516	supplied with Ø25mm x 2.0m tube	Working Load up to 25 Kg

Fitted to a six wheel carriage with friction brake the Swivel Arms position can easily be adjusted on a length of Studio Rail. The Swivel Arm enables 360° positioning of leg/wing curtains or light scenery traditionally used to aid masking of wing space on stage from audience sight lines.

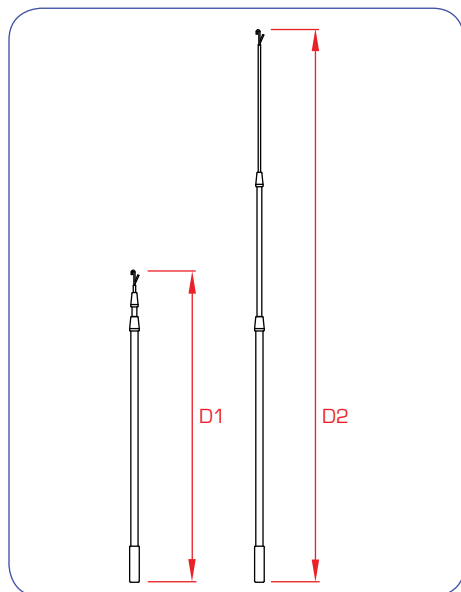


Studio Rail Drilling Jig

T84260

0.26 Kg

A CNC machined aluminum jig fitted with hardened drill bushes. This jig enables the installer to drill the joint holes in any cut pieces of rail accurately ensuring a correctly aligned joint.



Operating Poles

	SWL	D1	D2	D3	Kg
T84249	N/A	900mm	2800mm	N/A	1.20 Kg
T84250	N/A	1470mm	3700mm	N/A	1.20 Kg
T84251	N/A	1500mm	4600mm	N/A	1.20 Kg
T84252	N/A	1800mm	5500mm	N/A	1.20 Kg
T84253	N/A	2400mm	7400mm	N/A	1.20 Kg

A lightweight telescopic anodised aluminium operating pole fitted with a replaceable hook.

PANTOGRAPHS

The Doughty® Spring Pantographs have been designed to be lightweight and compact, with strength, safety and ease of use being the main features. Loads from 5 to 36 Kg can be suspended from overhead tracks or barrels and quickly positioned with height ranges of 2.2 to 5 metres.



Pantographs

Pt No	Springs	SWL	Length	Kg
G1660	2	12 Kg	2.20m	6.80 Kg
G1662	2	12 Kg	3.00m	9.60 Kg
G1664	2	12 Kg	4.00m	13.00 Kg
G1666	2	12 Kg	5.00m	16.40 Kg
G1670	3	20 Kg	2.20m	7.50 Kg
G1672	3	20 Kg	3.00m	10.30 Kg
G1674	3	20 Kg	4.00m	13.60 Kg
G1676	3	20 Kg	5.00m	17.00 Kg
G1680	4	27 Kg	2.20m	7.50 Kg
G1682	4	27 Kg	3.00m	10.30 Kg
G1684	4	27 Kg	4.00m	10.40 Kg
G1686	4	27 Kg	5.00m	17.00 Kg
G1694	5	36 Kg	4.00m	10.40 Kg
G1696	5	36 Kg	5.00m	17.00 Kg

BARREL TROLLEYS

Barrel Trolleys are normally used to suspend Pantographs from fixed or rolling pipe grids and barrel hoists. The new range of lightweight cast aluminium barrel trolleys from Doughty® are designed to roll along 48 to 51mm diameter tubes. The trolleys are supplied as standard with a socket to accept 28mm TV spigots. Braked and unbraked versions are available in crackle black powder paint



Standard Barrel Trolley

Part No	SWL	Kg
G1600	75 Kg	2.5 Kg



Braked Barrel Trolley

Part No	SWL	Kg
G1642	75 Kg	2.5 Kg



Slimline Barrel Trolley

Part No	SWL	Kg
G1605	75 Kg	2.5 Kg



Slimline Braked Barrel Trolley

Part No	SWL	Kg
G1645	75 Kg	2.5 Kg

LIGHTING HOIST

The Doughty® range of Lighting Hoists provide a highly versatile and economical suspension system. The Doughty® hoist system can be accompanied with a comprehensive range of control systems. These controllers are designed specifically for the Lighting Hoist and are fully optimised for their ease of use.

Doughty® Lighting Hoists have many safety features built in, to comply with health and safety regulations.

Doughty® Lighting Hoists are specified to individual requirements. Contact our Sales department to discuss your requirements.

Main features:

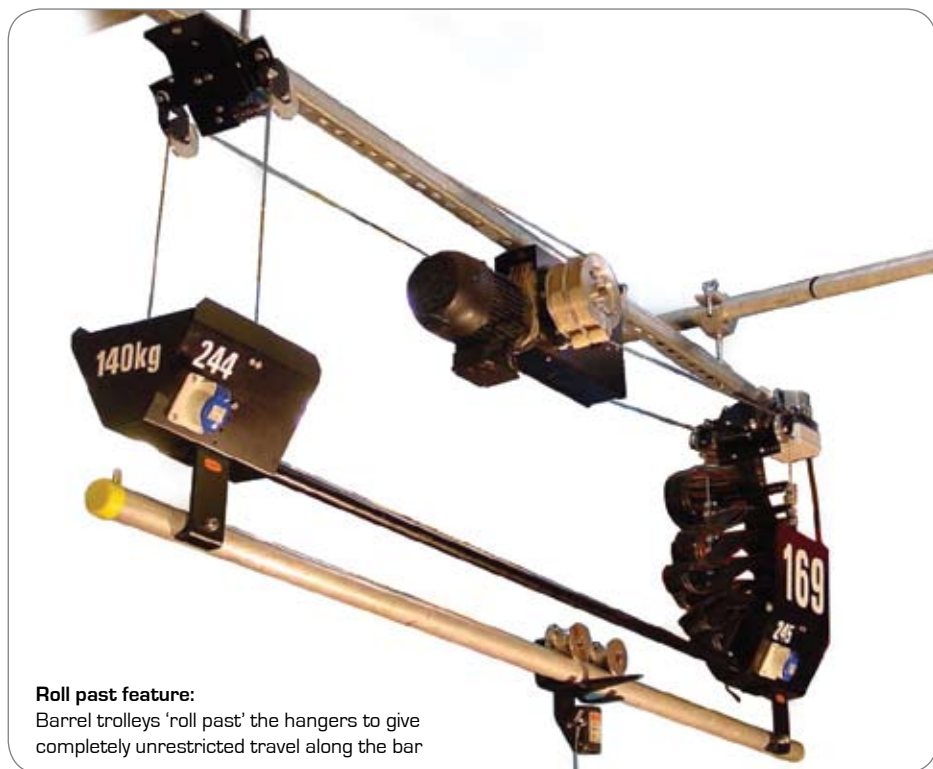
- Flexible modular design aiding maintenance and installation
- Can be fitted with programmable position control allowing hoist to return to memorised position
- Low self weight reducing building costs
- Compact 'closed height' for more height benefit in the studio
- Barrel 'roll past' feature is standard on the system
- Chassis and barrel lengths can be adjusted on-site to accommodate late building alterations

Lighting Hoist Controller

- Single metal wall mounted enclosure
- Raise and lower buttons
- Emergency stop mushroom switch
- Power indicator light
- Antichatter circuitry as required by hoist.
- Tamperproof cases available on request.



Shown in a lockable tamperproof case.

**Roll past feature:**

Barrel trolleys 'roll past' the hangers to give completely unrestricted travel along the bar

Standard Hoist Spec

- 4 wire ropes
- Maximum load 140kg
- Maximum drop up to 16.5m
- Chassis length 1.3 to 3.3m
- Barrel diameter 48.3mm aluminium or steel 1.3 to 5 m
- Typical self weight 70kg

Special Hoist Spec

- 4, 6 or 8 wire ropes
- Maximum load up to 200kg
- Hoist length up to 9.3m
- Barrel length up to 11m
- Scenery hoist options available

Full range of socket plates are available to suit individual requirements including audio, video, DMX and technical power. Platform, round and special cables can be used. Sensors: overload, slack rope, rope break on each rope, top and bottom travel limits, with ultimate travel limits.

Lighting Hoists

Part No	Length	No. Sockets	Kg
G1700	3.0m	6	65 Kg
G1710	4.0m	6	70 Kg
G1720	5.0m	6	75 Kg
G1705	3.0m	8	65 Kg
G1715	4.0m	8	70 Kg
G1725	5.0m	8	75 Kg

Index by Part No

Part No	Page	Part No	Page	Part No	Page
S1023	1	T58015	17	T58990	27
S1024	1	T58018	18	T5899001	27
T58400	5	T58022	18	T58997	27
T57000	7	T58026	18	T5899701	27
T57010	7	T58030	18	T58810	28
T57120	7	T58031	18	T5881001	28
T57121	7	T58100	20	T58815	28
T57200	7	T58101	20	T5881501	28
T57201	7	T58105	20	T58820	28
T57100	8	T58106	20	T5882001	28
T57102	8	T58107	20	T58875	28
T57104	8	T58108	20	T5887501	28
T57110	8	T58109	20	T58880	28
T57112	8	T58110	21	T5888001	28
T57114	8	T58115	21	T58885	28
T57215	9	T58116	21	T5888501	28
T57216	9	T58120	21	T58975	28
T57225	9	T58121	21	T5897501	28
T5722501	9	T58080	23	T58980	28
T57226	9	T58081	23	T5898001	28
T5722601	9	T58085	23	T58985	28
T57227	9	T58086	23	T5898501	28
T57228	9	T58089	23	T58850	29
T57205	10	T58098	23	T5885001	29
T57206	10	T58099	23	T58855	29
T57207	10	T58122	25	T5885501	29
T57223	10	T5812201	25	T58856	29
T57224	10	T58123	25	T5885601	29
T57235	10	T5812301	25	T58892	29
T57236	10	T58124	25	T5889201	29
T57230	11	T5812401	25	T58894	29
T58600	11	T58125	25	T5889401	29
T58601	11	T58800	27	T58896	29
T58605	11	T5880001	27	T5889601	29
T58606	11	T58830	27	T58992	29
ST57000	13	T5883001	27	T5899201	29
ST57001	13	T58840	27	T58994	29
ST57100	13	T5884001	27	T5899401	29
T84300	14	T58870	27	T58996	29
T84310	14	T5887001	27	T5899601	29
T42308	15	T58887	27	T57400	31
T57001	17	T5888701	27	T57401	31
T57011	17	T58890	27	T57410	31
T58010	17	T5889001	27	T57411	31
T58011	17	T58970	27	T57450	31
T58014	17	T5897001	27	T57451	31

Part No	Page	Part No	Page	Part No	Page
T57420	32	T58334	43	T58754	51
T57421	32	T58340	43	T58720	52
T57430	32	T58341	43	T58725	52
T57431	32	T58500	45	T58726	52
T57440	32	T58501	45	T58728	52
T57441	32	T58505	45	T58729	52
T57405	33	T58506	45	T58730	52
T57406	33	T58515	45	T58731	52
T57415	33	T58516	45	T58733	52
T57416	33	T58531	46	T58734	52
T57455	33	T58532	46	T58745	52
T57456	33	T58533	46	T58746	52
T57422	34	T58534	46	T58748	52
T57423	34	T58540	46	T58749	52
T57425	34	T58541	46	T57340	54
T57426	34	T58780	48	T57345	54
T57435	34	T58781	48	T57350	54
T57436	34	T58782	48	T57355	54
T58860	36	T58783	48	T57360	54
T5886001	36	G1115	49	T57365	54
T58861	36	G111501	49	T57370	54
T5886101	36	T58130	49	T57375	54
T58862	36	T5813001	49	T57310	55
T5886201	36	T58756	50	T57311	55
T58865	37	T58757	50	T57315	55
T58867	37	T58758	50	T57316	55
T58869	37	T58759	50	T57317	55
T5886901	37	T58760	50	T57318	55
T58200	39	T58761	50	T57320	55
T58201	39	T58762	50	T57321	55
T58205	39	T58763	50	T57325	56
T58206	39	T58790	50	T5732501	56
T58215	39	T58791	50	T55704	58
T58216	39	T58792	50	T55705	58
T58231	40	T58793	50	T57704	58
T58232	40	T58795	50	T57705	58
T58233	40	T57249	51	T57210	59
T58234	40	T57250	51	T57211	59
T58240	40	T58735	51	T58700	59
T58241	40	T58736	51	T58701	59
T58300	42	T58738	51	T55710	60
T58301	42	T58739	51	T55715	60
T58305	42	T58740	51	T57214	60
T58306	42	T58741	51	T57219	60
T58315	42	T58743	51	T30400	63
T58320	42	T58744	51	T30401	63
T58331	43	T58750	51	T30402	63
T58332	43	T58751	51	T30404	63
T58333	43	T58753	51	T30800	63

Part No	Page	Part No	Page	Part No	Page
T30801	63	T20401	74	T39901	82
T30804	63	T20900	75	T39902	82
T30806	63	T20901	75	T42000	82
T30300	64	T21100	75	T42001	82
T32000	64	T21101	75	T42100	82
T32001	64	T21800	75	T42101	82
T32002	64	T21801	75	T42200	82
T32100	64	T20210	76	T42201	82
T32102	64	T20212	76	T42202	82
T32103	64	T20405	76	T42300	82
T30500	65	T20000	77	T42301	82
T30600	65	T20200	77	T42302	82
T31500	65	T20201	77	T42303	82
T31600	65	T20301	77	T42305	82
T31700	65	T20103	78	T42307	82
T30700	66	T2010301	78	T42500	82
T30900	66	T21805	78	T42501	82
T31000	66	T2180501	78	T42502	82
T32400	66	T21810	78	T38000	83
T32500	66	T2181001	78	T38100	83
T33400	66	T19700	79	T38101	83
T33500	66	T19800	79	T38200	83
T33600	66	T19900	79	T38201	83
T56500	66	T19905	79	T38400	83
T56600	66	T19910	79	T38401	83
T56800	66	T20500	79	T38500	83
T29497	68	T20600	79	T38501	83
T29700	68	T20700	79	T38600	83
T29804	68	T20705	79	T38700	83
T29805	68	T20710	79	T38800	83
T29806	68	T20910	80	T38802	83
T29500	69	T21500	80	T38900	83
T29600	69	T21600	80	T38902	83
T29800	69	T21700	80	T39000	83
T29801	69	T21705	80	T39002	83
T29810	69	T21710	80	T21000	84
T29850	70	T37500	81	T23490	84
T29860	70	T37600	81	T23500	84
T28870	71	T39500	81	T23505	84
T20100	73	T39600	81	T23510	84
T20101	73	T42600	81	T28000	85
T20104	73	T42700	81	T28001	85
T2010401	73	T39700	82	T28025	85
T20107	73	T39701	82	T28050	85
T2010701	73	T39702	82	T28075	85
T20102	74	T39800	82	T28700	85
T20105	74	T39801	82	T39100	86
T2010501	74	T39802	82	T39200	86
T20400	74	T39900	82	T39300	86

Part No	Page	Part No	Page	Part No	Page
T39400	86	T42858	93	T42995	98
T39101	87	T42859	93	T42979	99
T39102	87	T42860	94	T42980	99
T39201	87	T42861	94	T42981	99
T39202	87	T42865	94	T42982	99
T39301	87	T42870	94	T42983	99
T39302	87	T42872	94	T42997	99
T39401	87	T42885	95	T42998	99
T39402	87	T42886	95	T42999	99
T2841001	89	T42897	95	T41000	100
T2849001	89	T42898	95	T41100	100
T2852001	89	T42899	95	T41200	100
T22001	90	T42901	97	T41300	100
T22101	90	T42902	97	T41400	100
T2840001	90	T42903	97	T41500	100
T2844001	90	T42904	97	T41600	100
T2844501	90	T42905	97	T41700	100
T2820001	91	T42911	97	T41800	100
T2820501	91	T42912	97	T41900	100
T2830001	91	T42913	97	T41902	100
T2830501	91	T42914	97	T41904	100
T42800	93	T42915	97	T40100	101
T42801	93	T42921	97	T401001	101
T42812	93	T42922	97	T40300	101
T42813	93	T42923	97	T403001	101
T42814	93	T42924	97	T42900	101
T42820	93	T42925	97	T63780	101
T42821	93	T42931	97	T41850	102
T42822	93	T42932	97	T41860	102
T42823	93	T42933	97	T41870	102
T42824	93	T42934	97	T67300	103
T42830	93	T42935	97	T61700	104
T42831	93	T42941	97	T61800	104
T42832	93	T42942	97	T61900	104
T42833	93	T42943	97	T62100	104
T42834	93	T42944	97	T62400	104
T42836	93	T42945	97	T62401	104
T42837	93	T42951	97	T62500	104
T42838	93	T42952	97	T62501	104
T42839	93	T42953	97	T62700	104
T42840	93	T42954	97	T62800	104
T42846	93	T42955	97	T62900	104
T42847	93	T42984	98	T63000	104
T42848	93	T42985	98	T63400	104
T42849	93	T42986	98	T63500	104
T42850	93	T42987	98	T63600	104
T42855	93	T42988	98	T63700	104
T42856	93	T42989	98	T66100	105
T42857	93	T42990	98	T66200	105

Part No	Page	Part No	Page	Part No	Page
T66300	105	T33900	121	T194046ADJ	133
T65000	106	T84105	122	T194104	133
T66400	106	T84106	122	T194590	133
T66500	106	T84107	122	T194595	133
T65300	107	T33700	123	T194017EM	134
T65400	107	T34000	123	T194021-35	134
T65500	107	T34100	123	T194021-45	134
T64200	108	T24000	124	T194050	134
T64300	108	T24001	124	T194054/3	134
T64000	109	T24002	124	T194055	134
T64100	109	T24003	124	T194017ADJ	135
T64900	110	T24050	124	T194019	135
T65600	110	T2400001	125	T194023	135
T65700	110	T2400101	125	T194025	135
T59000	111	T2400201	125	T194027	135
T60900	111	T2400301	125	T194030C	135
T64600	111	T2405001	125	T194002S	136
T64700	111	T24010	126	T194014S	136
T64800	111	T24015	126	T194017S	136
T67000	111	T24800	128	T194017SM	136
T61100	112	T24801	128	T194022S	136
T67200	112	T24900	128	T13300	137
T60000	113	T24901	128	T13301	137
T60100	113	T24905	128	T194016	137
T60200	113	T24910	128	T194020	137
T60600	113	T25100	129	T194100	137
T84500	114	T25108	129	T194102	137
T84501	114	T25110	129	T194120	137
T84505	114	T25120	129	T194122	137
T84506	114	T25200	129	T10100	139
T84510	114	T30100	129	T10400	139
T84511	114	T30101	129	T11600	139
T84515	114	T194005	130	T12500	139
T84516	114	T194005E	130	T12800	139
T50820	115	T194006	130	T14900	139
T50825	115	T194003	131	T11900	140
T50830	115	T194007	131	T12600	140
T50835	115	T194007E	131	T12700	140
T54250	116	T194009	131	T12900	140
T54255	116	T194070	131	T15800	140
T54260	117	T194106E	131	T17600	140
G1128	118	T194010	132	T13100	141
G1129	118	T194011	132	T13200	141
T54200	118	T194011E	132	T14300	141
T54100	119	T194012	132	T14400	141
T54150	119	T194013	132	T14500	141
T33300	121	T194013E	132	T14600	141
T33310	121	T194042	133	T13000	142
T33800	121	T194046	133	T13400	142

Part No	Page	Part No	Page	Part No	Page
T13800	142	T63915	151	T63775	160
T14000	142	T63916	151	T63776	160
T17900	142	T63917	151	T63777	160
T18200	142	T63918	151	T63778	160
T13500	143	T63919	151	T63780	161
T14700	143	T63920	152	T63795	161
T14800	143	T63921	152	T63820	161
T16000	143	T63922	152	T63825	161
T16100	143	T63923	152	T63830	161
T16500	143	T63924	152	T63840	162
T16700M.....	144	T63925	152	T63841	162
T16800M.....	144	T63926	152	T63845	163
T16900	144	T63927	152	T6384503.....	163
T16900M.....	144	T63928	152	T63846	163
T17300F.....	144	T63929	152	T63850	163
T17300M.....	144	T63930	152	T83700	165
T16700	145	T63931	152	T83701	165
T16800	145	T63705	154	T83702	165
T17000	145	T63706	154	T83703	165
T17100	145	T63707	154	T83704	165
T17300	145	T63708	154	T83705	165
T18250	145	T63710	154	T83706	165
T17620	146	T63715	154	T83707	165
T17621	146	T63730	154	T83708	165
T17622	146	T63731	154	T83709	165
T17625	146	T63732	154	T83710	165
T17629	146	T63733	154	T83711	165
T19100	147	T63734	154	T83750	165
T19200	147	T63735	154	T83810	165
T19300	147	T63736	154	T83715	166
T63941	150	T63737	154	T83716	166
T63942	150	T63738	154	T83720	166
T63943	150	T63739	154	T83721	166
T63944	150	T63725	155	T83722	167
T63945	150	T63760	156	T83725	167
T63946	150	T63765	156	T83726	167
T63947	150	T63766	156	T83730	167
T63948	150	T63770	156	T83731	167
T63949	150	T63755	157	T83780	167
T63950	150	T63756	157	T83781	167
T63951	150	T63757	157	T83782	167
T63952	150	T63796	157	T76000	169
T63908	151	T63749	158	T76100	169
T63909	151	T63750	158	T76200	169
T63910	151	T63751	158	T76600	169
T63911	151	T63752	159	T78500	169
T63912	151	T63753	159	T78600	169
T63913	151	T63754	159	T78700	169
T63914	151	T63785	159	T79400	169

Part No	Page	Part No	Page	Part No	Page
T76300	170	G1181	177	T44505	186
T76400	170	G1182	177	T44640	186
T76500	170	G1165	178	T44645	186
T76700	170	G1166	178	T44650	186
T78900	170	G1167	178	G2020	187
T79000	170	G1168	178	G202001	187
T79100	170	G1169	178	G2021	187
T79500	170	G1170	178	G202101	187
T80600	170	G1171	179	G2022	187
T80700	170	G1172	179	G202201	187
T76505	171	G1173	179	G2023	187
T76506	171	G1174	179	G202301	187
T76507	171	G1175	179	G2024	187
T76800	171	G1176	179	G2025	187
T79300	171	G1200	181	T45400	188
T79305	171	G120001	181	T45401	188
T79310	171	G1210	181	T45500	188
T79600	171	G121001	181	T45501	188
T77800	172	G1220	181	T45600	188
T77900	172	G1260	181	T45601	188
T77910	172	G1221	182	T45610	188
T80200	172	G1230	182	T45612	188
T80300	172	G1235	182	T45614	188
T80400	172	G1240	182	T45616	188
T76900	173	G1245	182	T45618	188
T77000	173	G1250	182	G1197	189
T77100	173	G1255	182	G1405	189
T79700	173	G1140	183	G1415	189
T79800	173	G1141	183	G1000	190
T79900	173	G1142	183	G1001	190
T77300	174	T61700	183	G1104	191
T77400	174	G1300	184	G1106	191
T77950	174	G1310	184	G1108	191
T77960	174	G1315	184	G1110	191
T77970	174	G1330	184	G1113	191
T80100	174	G1335	184	G1114	191
T80950	174	G1340	184	G3015	192
T80960	174	G1305	185	G3016	192
T80970	174	G1320	185	G3018	192
T77200	175	G1345	185	G3301	192
T77500	175	T44450	186	G2200	193
T77600	175	T44460	186	G2201	193
T77650	175	T44470	186	T50500	193
G1160	176	T44475	186	T50502	193
G116001	176	T44480	186	T54175	193
G1177	177	T44482	186	G2060	194
G1178	177	T44484	186	G206001	194
G1179	177	T44486	186	T52800	194
G1180	177	T44500	186	T50600	195

Part No	Page	Part No	Page	Part No	Page
T50700	195	T52101	205	T55582	214
T52900	195	G2030	206	T55592	214
T50900	196	G203001	206	T55580	215
T50901	196	G2031	206	T55590	215
T53000	196	G203101	206	T51700	216
T53100	196	G2035	206	T51701	216
T51000	197	G203501	206	T54402	217
T51100	197	G2036	206	G2000	218
T52200	197	G203601	206	G200001	218
T52201	197	G2040	206	G2006	218
T52600	197	G204001	206	G200601	218
G1350	198	G2045	206	G2007	218
T52400	198	G204501	206	G200701	218
T50810	199	G2046	207	G2008	218
T50811	199	G204601	207	G200801	218
T50812	199	G2050	207	T47502	219
T50813	199	G205001	207	T47518	219
T50814	199	G2051	207	T74300	221
T57220	199	G205101	207	T74301	221
T43000	200	G2070	208	T74302	221
T43001	200	G207001	208	T74303	221
T43003	200	G2071	208	T74310	221
T43100	200	G207101	208	T74311	221
T43101	200	G2075	208	T74315	221
T43103	200	G207501	208	T74316	221
T43200	200	G2076	208	T73000	222
T43201	200	G207601	208	T73100	222
T43203	200	G2080	209	T73305	222
PJ43001	201	G208001	209	T74500	222
PJ43100	201	G2081	209	T74600	222
PJ43200	201	G208101	209	T74700	222
PJ50900	201	G2085	209	T74705	222
T49200	203	G208501	209	T74710	222
T49300	203	G2086	209	T74715	222
T49400	203	G208601	209	T74720	222
T49465	203	G2090	209	T74725	222
T49470	203	G209001	209	T72700	223
T49475	203	G2091	209	T72800	223
T51200	204	G209101	209	T73102	223
T51201	204	T55110	210	T74200	223
T51600	204	T55111	210	T74201	223
T51601	204	T55200	210	T73350	224
T51800	204	T55201	210	T73360	224
T51801	204	T55500	210	T73400	224
T51900	205	T55501	210	T73401	224
T51901	205	T55510	211	T73500	224
T52000	205	T55511	211	T73501	224
T52001	205	T55569	212	T74400	224
T52100	205	T55567	213	T73370	225

Part No	Page	Part No	Page	Part No	Page
T73380	225	T26700	234	T84230	246
T73390	225	T26800	234	T84205	247
T73391	225	T26900	234	T84215	247
T73392	225	T27000	234	T84180	248
T73900	225	T27100	234	T84515	248
G1188	226	E102101	235	T84516	248
G1195	226	E102301	235	T84249	249
G1196	226	E1025	235	T84250	249
G1198	226	E102501	235	T84251	249
G1199	226	T84000	239	T84252	249
T73800	227	T84005	239	T84253	249
T73801	227	T84010	239	T84260	249
T74000	227	T84015	239	G1660	250
T74100	227	T84017	239	G1662	250
T74308	227	T84018	239	G1664	250
G1190	228	T84019	239	G1666	250
G1191	228	T84020	239	G1670	250
G1192	228	T84025	239	G1672	250
G1193	228	T84030	239	G1674	250
G1194	228	T84035	239	G1676	250
G1002	229	T84040	239	G1680	250
G1003	229	T84045	239	G1682	250
G1189	229	T84050	239	G1684	250
C19DT104	233	T84052	239	G1686	250
C19DT105	233	T84053	239	G1694	250
C19DT116	233	T84054	239	G1696	250
C19DT117	233	T84055	239	G1600	251
C19LF	233	T84060	239	G1605	251
C19LFL	233	T84065	239	G1642	251
C19LFLC	233	T84120	241	G1645	251
C19LM	233	T84121	241	G1700	253
C19LML	233	T84125	241	G1705	253
C19LMLC	233	T84160	241	G1710	253
C19SF	233	T84165	241	G1715	253
C19SM	233	T84110	242	G1720	253
T26000	234	T84115	242	G1725	253
T26100	234	T84130	242		
T26110	234	T84070	243		
T26120	234	T84071	243		
T26200	234	T84075	243		
T26201	234	T84080	243		
T26300	234	T84085	243		
T26310	234	T84105	244		
T26315	234	T84106	244		
T2634001	234	T84107	244		
T2634501	234	T84220	245		
T26400	234	T84225	245		
T26500	234	T84185	246		
T26600	234	T84186	246		

Index by Name

Name	Page	Name	Page
'C' Stands	218	Electrical Connectors	235
'G' Clamps	191	Extension Poles.....	186
19 Pin Connectors	232	F	
3 Point Receiver.....	14	Facility Panels.....	236
A		Final Couplers.....	51
Al Track Curtain Track.....	164	Fixed Truss Adaptor.....	59
Aluminium Barrel.....	124	Flag Frames	192
Aluminum Flat Flag Frames.....	192	Flat Clamp	190
Angle Iron Wall Bracket.....	123	Floor Plates	116
Atom Clamps.....	26	Flying Irons.....	108
B		Followspot Spigot.....	223
Baby Arms and Headers	184	Followspot Stand Top	195
Baby Grid Clamp	189	Followspot Stands.....	216
Barrel Receiver	115	Frame Clamps	191
Barrel Socket Clamp.....	49	G	
Barrel Trolleys.....	251	Gaffer Grip	190
Batten Clip	111	Galvanised Tube	126
Boom Arms (aluminium).....	55	Girder Clamps.....	67
Boss Plate.....	111	Gobo Arms.....	182
Brace Weight.....	112	Grip Equipment.....	180
Braced Boom Arm.....	56	Grip Helper	187
C		Gripheads.....	181
Castor Kits.....	193	Grummets.....	107
Ceiling Saddle	123	H	
Claw Clamps	50	Hanging Irons.....	109
Club Stands	203	Hanging Truss Adaptor	60
Coach Eye.....	111	Hinges.....	104
Combi Stand Top	194	I	
Combo Stands	206	Internally Wired Bars	230
Conductor Stands	219	J	
Cord Patch Units	237	Junior Arms and Headers	184
Curtain Track (al track).....	164	Junior Wall Plate	118
Curtain Track (sixtrack).....	148	L	
Curtain Track (studio rail).....	238	Ladder Truss Adaptor.....	59
D		Lighting Hoists	252
Distribution Panels.....	237	Lightweight Clamps	19
Dobo Tee Bars.....	201	Locking Elbows.....	50
Double Riser	187	Low Lifts.....	186
Doughty Clamps.....	6	M	
Drop Arms.....	188	Mammoth Clamps.....	30
E		Multihead Stand Top.....	194
Easydeck.....	168	Music Stands.....	219
Easylift.....	211		

Name	Page	Name	Page
N		Speaker Adaptors	197
Nipper Stand.....	119	Speed Rail	130
O		Spigots.....	220
Opera Stands	219	Stabiliser Coupler.....	52
Operating Poles.....	249	Stage Screw.....	111
Overhead Roller Stands.....	209	Staging (easydeck).....	168
P		Stand Accessories.....	193
Panel Clamp	49	Stand Adaptor.....	199
Pantographs	250	Stands.....	202
Par Can Floor Plate	119	Strata Stands.....	212
Parcan Stand Top	193	Stud Plate	111
Peg Plate	111	Studio Rail	238
Pelmet Clips & Sockets	105	Studio Stands	204
Pink Eyes	15	Supaclamps.....	176
Pipe to Pipe Couplers (aluminium) .	54	Super Lightweight Clamps.....	24
Pipe to Wall Brackets	121	Swivel Arm (studio rail).....	248
Pipeclamps.....	138	Swivel Arms.....	114
Pivot Hinge.....	51	Swivel Truss Adaptor.....	58
Pivot Plug.....	51	T	
Polyholders	183	Tank Traps.....	116
Professional Followspot Stand.....	217	Tee Bar Mounting	199
Q		Tee Bars	200
Quick Trigger Clamps.....	38	Tee Clamp	198
R		Titan Quick Trigger Clamps	44
Rack Frames	234	Trigger Clamps.....	35
Ramsa/Bose Speaker Adaptor ...	197	Truss adaptors.....	57
Receiver	14	Tube Joiner (Solid)	129
Ring Plate.....	110	Turtle Plate	118
Roller Stands.....	208	TV Brace Weight.....	183
Rope Brake.....	112	TV Doughty Clamp.....	10
RU Rack Frames.....	234	TV Quick Clamp	10
S		TV Roller Race	223
Safety Collar	196	TV Spigots	222
Sand Bags.....	192	Twenty Clamp.....	4
Scaffold Tube.....	126	U	
Scenery Braces.....	113	Universal Hanger.....	187
Scissor Clamps.....	70	V	
Shackles.....	86	Vee Clamp.....	198
Side Entry Clamps	48	W	
Sixtrack Curtain Track.....	148	Wall Brackets	120
Slimline Doughty Clamps.....	16	Wall Plate (16mm Pin).....	118
Slimline Lightweight Clamps.....	22	Wall Plate (16mm Receiver).....	118
Slimline Mammoth Clamps.....	33	Wall Plates	116
Slimline Quick Trigger Clamps.....	41	Weld Coupler.....	11
Slotted Wall Brackets	122	Winch Stands.....	212
Snap In Spigots.....	177	Wind Up Stands.....	210
Socket Adaptor.....	229	Z	
Solid Tube Joiner	129	Zenith Stands	214

Note: Whilst every effort has been made to ensure that the information contained within this catalogue is correct, Doughty Engineering does not accept any liability for errors or omissions. Specifications and technical data are intended for guidance purposes only and may vary.

The buyer shall indemnify the seller against all claims in respect of any loss, injury, or damage sustained by a third party arising from the sale of the goods to the buyer howsoever caused and also against all actions, proceedings, costs, claims, demands and expenses brought or claimed against the seller in respect of the infringement of any patent, trademark, registered design or similar right arising from the manufacture or supply of any goods or the doing of any work or the use of any article or material by the seller to the design or specification or upon the instructions or order of the buyer.



Doughty Engineering Ltd

Crow Arch Lane

Ringwood

Hampshire, BH24 1NZ

Tel: +44 (0) 1425 478961 Fax: +44 (0) 1425 474481

email: sales@doughty-engineering.co.uk

web: www.doughty-engineering.co.uk