

4011A, 4011A Cardioid Microphone



4011A, 4011A Cardioid Microphone

- Close-miking
- Superior for high sound levels
- Accuracy
- Colorless

Improving upon a classic

The DPA 4011A cardioid condenser microphone is an upgraded version of our classic 4011, renowned in recording studios and live applications around the world as an exceptional mic. State-of-the-art components have been carefully selected to provide optimal neutrality, accuracy, and extremely low distortion.

Pure linear cardioid

The principal appeal of the 4011A is its directional quality and attention to detail: everything sounds like the original. The first-order cardioid pickup pattern provides superb separation between sound sources when used as a spot mic on literally any style of live music, from rock 'n' roll to opera. The 4011A is equally suitable for close-up work on acoustic guitar, grand piano, overheads, percussion, wind instruments and vocals as it is for spot-miking symphonies. It can handle incredibly high sound levels and even includes a 20 dB pad switch in the center of the XLR connector to attenuate the output of the microphone.

Perfectly natural

A flat on-axis frequency response and excellent phase response deliver a totally faithful reproduction of the original sound. The off-axis response is similarly smooth so that any leakage is an accurate reflection of the original, though attenuated according to the true first-order cardioid pickup pattern. The sensation of "being there" will always be more intense with the DPA 4011A than with any other cardioid. Chosen for its qualities as an all-around performer, the 4011A is a great, clean-sounding colorless mic. The variety of applications is as wide as the imagination of the user.

Also available as matched stereo pair

The ST4011A stereo pair is supplied in a specially designed PeliTM Case, the stereo matching is free of charge.

For more information please visit:

www.dpamicrophones.com

4011A, 4011A Cardioid Microphone

Directional characteristics:

Cardioid

Principle of operation:

Pressure gradient

Cartridge type:

Pre-polarized condenser

Frequency range:

20 Hz to 20 kHz

Frequency range, ± 2 dB:

40 Hz to 20 kHz

Sensitivity, nominal ± 2 dB at 1 kHz:

10 mV/Pa; -40 dB re. 1 V/Pa

Equivalent noise level, A-weighted, re. 20 μ Pa:

Typ. 18 dB(A) re. 20 μ Pa (max. 20 dB)

Equivalent noise level, ITU-R BS.468-4:

Typ. 25 dB (correct with the attenuator in 0 dB or -20 dB setting)

S/N ratio (A-weighted), re. 1 kHz at 1 Pa (94 dB SPL):

Typ. 76 dB(A)

Total Harmonic Distortion (THD):

< 1 % up to 139 dB SPL peak

Minimum load impedance:

2 kohm

Dynamic range:

Typ. 121 dB

Max. SPL, peak before clipping:

159 dB

Switchable attenuator:

0 dB / -20 dB

Output impedance:

< 200 ohm

Cable drive capability:

100 m (328 ft)

Output balance principle:

Impedance balancing with Active Drive

Common Mode Rejection Ratio (CMRR):

> 60 dB

Power supply (for full specifications):

48 V Phantom power (± 4 V)

Current consumption:

2.8 mA

Connector:

XLR-3M. Pin 1: shield, Pin 2: signal + phase, Pin 3: - phase

Color:

Matte black

Weight:

158 g (5.6 oz)

Microphone diameter:

19 mm (0.75 in)

Capsule diameter:

19 mm (0.75 in)

Length:

170 mm (6.7 in)

Output voltage, RMS:

> 5 V

Polarity:

+V at Pin 2 for positive sound pressure

Temperature range:

-40 °C to 45 °C (14 °F to 113 °F)

Relative Humidity (RH):

Up to 90 %

Matching tolerance:

± 1 dB

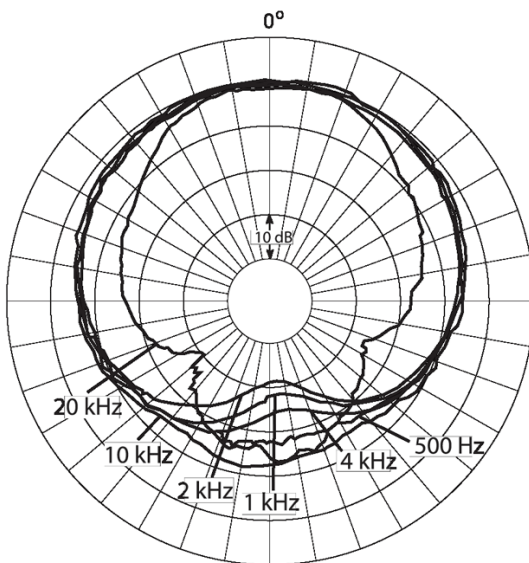
Phase deviation for kit:

< 10°

Diagrams

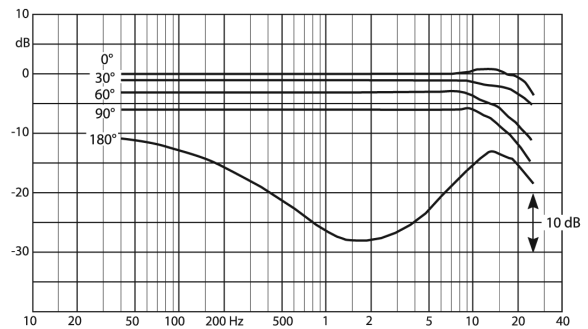
4011A, 4011A Cardioid Microphone

Directional characteristics of DPA 4011A (normalized).



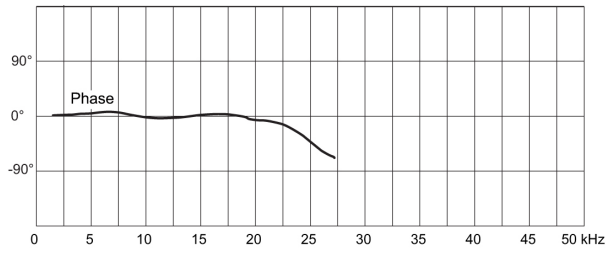
Directional characteristics of DPA 4011A (normalized).

On-and off-axis responses of DPA 4011A measured at 30 cm



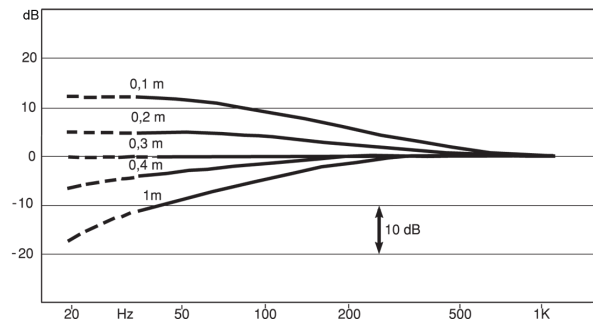
On-and off-axis responses of DPA 4011A measured at 30 cm

Phase response of DPA 4011A



Phase response of DPA 4011A

The proximity effect exhibited by DPA 4011A



The proximity effect exhibited by DPA 4011A



Headquarters:
 DPA Microphones A/S
 Gydevang 42- 44
 DK-3450 Allerød, Denmark
 Tel: +45 4814 2828
 Fax: +45 4814 2700
 info@dpamicrophones.com
 www.dpamicrophones.com

United States:
 DPA Microphones, Inc.
 2432 N. Main St., Suite 200
 Longmont, CO 80501, USA
 Tel: +1 303- 485-1025
 Fax: +1 303- 485-6470
 info-usa@dpamicrophones.com
 www.dpamicrophones.com