

The HA-1010-EB is a slim horn array speaker with extremely long range. It can spread sound over 600 m while a conventional speaker can cover only 300 m. Besides applications where you need this long range to transport information over an extreme long distance the horn array speaker also eases the intelligibility in standard distances and under extreme situations.

In many applications a large number of speakers must be installed in order to deliver announcements. In this case, the sound may lose intelligibility before the sound reaches the target area due to speaker interference from one another. The HA-1010-EB is composed of multiple horn speakers positioned in an array and can not only reduce the total number of speakers, but also can achieve a better speech intelligibility.




Article number:HA-1010-EB QJ

Specifications

Dimensions (W x H x D)	167 x 1233 x 140,5 mm
Dimensions (ø x D)	x 140,5 mm
Finish	Aluminium, paint, grey,
Operating temperature	-20°C ... +55°C

Appearance



LONG RANGE SLIM ARRAY SPEAKER

HA-1010 Q

DESCRIPTION
 The Long Range Slim Array Speaker is composed of multiple horn speaker positioned in an array. It features long-range sound coverage further than conventional horn speakers, and narrowly focused vertical directivity that allows excessive volume to be controlled at closer proximity.
 90° horizontal x 15° vertical wide directivity high-frequency array horn speaker.

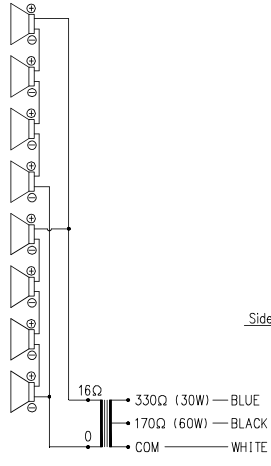
SPECIFICATIONS

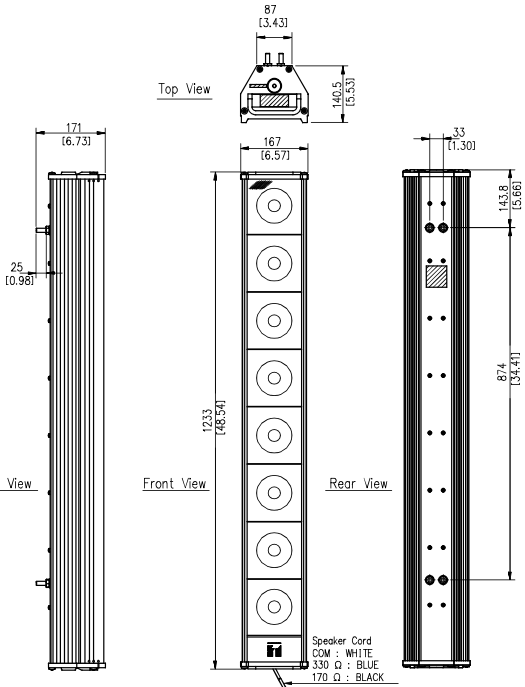
Rated Input	60 W
Rated Impedance	170 Ω (60 W), 330 Ω (30 W)
Sound Pressure Level	114 dB (1 W, 1 m)
Maximum Sound Pressure Level	132 dB (60 W, 1 m)
Frequency Response	350 Hz – 7 kHz
Directivity Angle	Horizontal: 90° (2 kHz), Vertical: 15° (2 kHz)
Speakers Component	Horn speaker unit x 8
Operating Temperature	-20 °C to +55 °C (-4 °F to +131 °F)
Water Protection	IP66
Finish	Case, Panel: Aluminum, salt-resistant, paint, grey Front grille: Aluminum, black
Dimensions	167 (W) x 1233 (H) x 140.5 (D) mm (6.57" x 48.54" x 5.53")
Weight	13.5 kg (29.76 lb)
Accessory	Washer (M10)... 8, Spring Washer (M10)... 4, Nut (M10)... 4

Note: A drain hole is provide on the speaker cable side of the cabinet. Make sure that its speaker cable side down faces. The speaker must be installed upright or facing down. Installing the speaker in any other position may render the drain hole ineffective, eventually leading to an electrical failure or other damage.

APPEARANCE

Wiring Diagram





UNIT : mm [in] SCALE : 1/12

NOV/17/2018

TOA Corporation

DWG No: 506418005