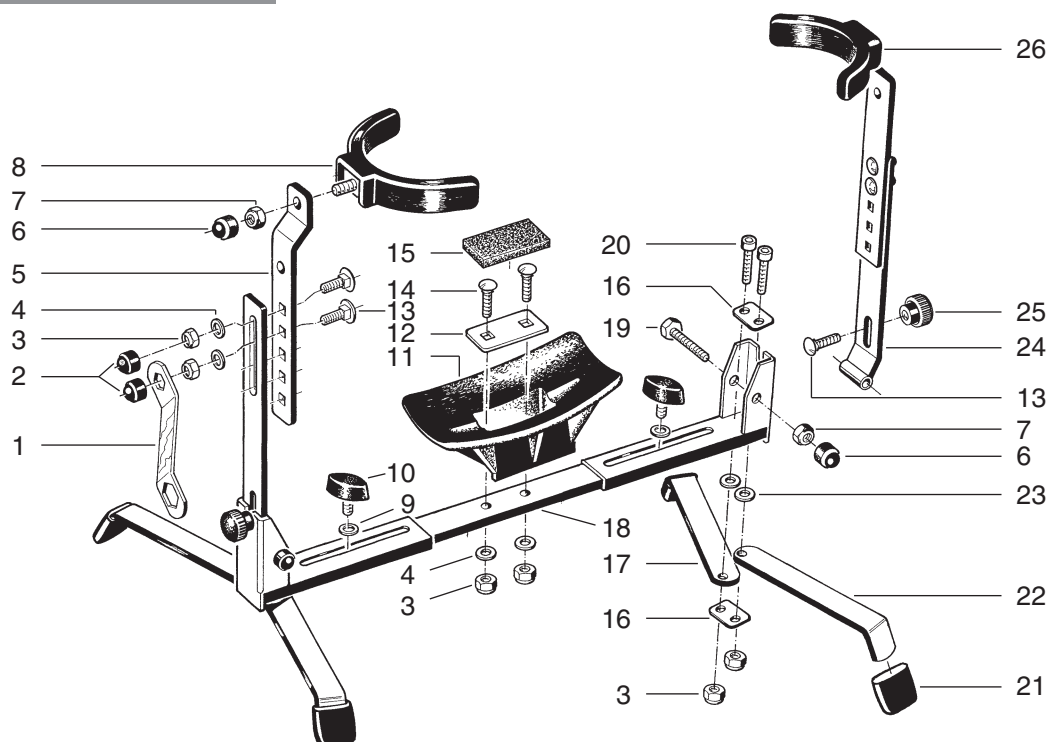


# 14940 Tuba Stand

14940.000.55 black



# SPARE PARTS INSTRUMENT STANDS



pos.	description	art.-no.	qty
1	wrench SW 8/13	01.18.920.01	1
2	plastic bolt cap 11	03.20.405.55	4
3	locking nut M5	03.08.240.29	10
4	washer	01.28.010.15	6
5	support brace	01.26.077.55	2
6	plastic bolt cap 13	03.20.410.55	4
7	locking nut M6	03.08.340.29	4
8	support arm large	01.89.135.55	1
9	washer	01.43.525.15	2
10	locking knob M6 x 9 mm	01.83.040.55	2
11	instrument support	01.89.095.55	1
12	reinforcing plate	01.26.515.55	1
13	carriage bolt M5 x 15 mm	03.07.120.01	6
14	carriage bolt M5 x 20 mm	03.07.130.01	2
15	feld pad	03.21.590.55	1
16	connecting plate	01.26.450.55	4
17	leg left	01.24.676.55	2
18	support brace	01.60.178.55	1
19	hexagon head screw M6 x 35 mm	03.01.360.25	2
20	socket head screw M5 x 25 mm	03.02.150.00	4
21	leg cap	01.94.700.55	4
22	leg right	01.24.675.55	2
23	padded washer	03.21.413.59	4
24	support arm complete	5.14945.3.55	2
25	knurled knob M5	01.92.900.55	2
26	support arm medium	01.89.130.55	1