



ADMIRAL
STAGING

Foundation for booths
and display stands.

BASEPLATES FOR TRUSS

The Admiral metal baseplates give you more flexibility when rigging a truss. These baseplates add 25kg of weight to the base of your construction, providing you with a solid and sturdy base for setting up truss towers, frames for display screens, trade fair structures and more. We have baseplates available for 30-truss and 40-truss.



KEY FEATURES

Different mounting possibilities

The pre-drilled hole patterns allow you to mount truss 30 or truss 40, either symmetrically or asymmetrically, depending on the type of baseplate.

Countersunk holes

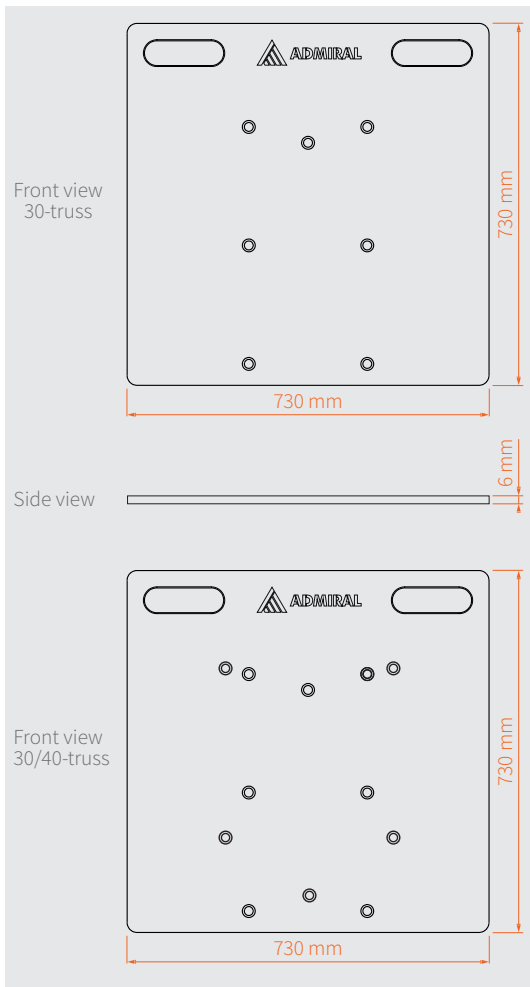
Countersunk holes for the attachment of M12 conical couplers. Special ring for M10 couplers available.

Easy to handle

Equipped with two 16cm wide handles for an easy and ergonomic handling of the baseplates.

www.admiralstaging.com

DIMENSIONS



TECHNICAL DATA

Baseplate 73 cm for 30-truss

Article code:	WAVLBP073H	WAVLBP073A
Material:	steel	steel
Dimensions:	730 x 730 x 6 mm (L x W x H)	730 x 730 x 6 mm (L x W x H)
Weight:	25 kg	25 kg
Finish:	black powder coated	zinc plated

Baseplate 73cm combi 30/40-truss

Article code:	WAVLBP073K	WAVLBP073C
Material:	steel	steel
Dimensions:	730 x 730 x 6 mm (L x W x H)	730 x 730 x 6 mm (L x W x H)
Weight:	25 kg	25 kg
Finish:	black powder coated	zinc plated

Symmetrical

30 or 40-truss square or triangle positioned centrally



Asymmetrical

30-truss square or triangle placement against a wall



ACCESSORIES



TRBP0731

Baseplate floor protector

Apply this adhesive rubber mat underneath your baseplates for both floor protection as well as more friction.



TRBPRR10

Baseplate reduction ring

Never switch between M10 and M12 bolts ever again with this handy reduction ring.

Compatible with:

Prolyte, Eurotruss, Fantek, Duratruss, Globaltruss, Interal and Sixty82



ADMIRAL
STAGING

| www.admiralstaging.com | Josink Kolkweg 10 | 7545 PR Enschede | The Netherlands | Tel: +31 53 4 301 201 |