



FOS Follow Spot 150

User Manual

PRODUCT SPECIFICATIONS

TECHNICAL SPECIFICATION

- Light source: 200W White LED
- Control: Manual
- 3 faders on Board: Dimmer, Iris, Dimmer+Iris
- Colors: 4 + open
- Dimmer: 0-100%
- Beam angle: 8° - 15°
- Refresh rate: 4,000Hz
- Input voltage: AC 100-240V 50-60hz
- Power consumption: 190W
- Fuse: F3A/250V
- IP rating: IP20
- Dimensions (LxWxH): 550 x 250 x 230 mm
- Weight: 10,2 Kg
- Weight Tripod: 1.34m high, 6.2 Kg

SAFETY WARNING

This product must be installed by a qualified professional. All maintenance must be carried out by a qualified electrician. A minimum distance of 0.5 m must be maintained between the equipment and a combustible surface. The product must always be operated in a well-ventilated area. DO NOT stare directly into the light source. Always disconnect the power before carrying out any maintenance. The earth must always be connected to the ground. Ensure that all parts of the equipment are kept clean and free of dust.

PROTECTION AGAINST SOLIDS AND WATER

Only for IP-rated fixtures

The protection level of a housing is set by applied standards. For classification there is used the IP-Code. It contains the declaration „IP“and two following numbers. The first number characterizes the protection against harmful effects of solids, the second is rating the water protection. It is important to distinguish whether encapsulation and harmful effect! There can be housing that is not capsuled completely but still avoids harmful effect of solids or water.

PROTECTION EXAMPLES:

IP20: Protection against intruding objects >12,5mm „Finger protected “; No waterproofing. **TYPICAL PROTECTION FOR INDOOR USE FIXTURES**

IP33: Protection against intruding objects >2,5mm; Falling water within an angle of 60° has no harmful effect **TYPICAL PROTECTION OF LED-LIGHTS USING RECESSED POWERCON AND DMX SOCKET.** This protection is linked to the mounting position of the fixture and always refers to typical mounting situation like a Floor spot used standing on the ground.

IP54: complete protection against solids and low-pressure water from any side **THIS TYPE OF FIXTURES CAN BE USED UNDER NORMAL OUTDOOR CONDITIONS.**

IP65: shielded against dust and pressurized water from any side. **TYPICAL PROTECTION FOR OUTDOOR RATED EVENTFIXTURES USING WATERPROOFED POWER AND SIGNAL LINK.**

IP67: shielded against dust and protected for accidental briefly submerge. **PROTECTION AGAINST ACCIDENTIAL SUBMERGING ON TEMPORARY FLOODED AREA.**

TEMPORARY USE

Event equipment is designed for temporary use. This are typical purpose as concerts, festivals, theatre, clubs and disco use and referable venues. Long-term use, specially under outdoor conditions and fixed outdoor installation can bring damage in aging materials and affect the coated surface. Sealings as well as cables are made from rubber material and will age by long-term UV-emission as sunlight and should be checked frequently.

LIMITATIONS OF IP PROTECTION

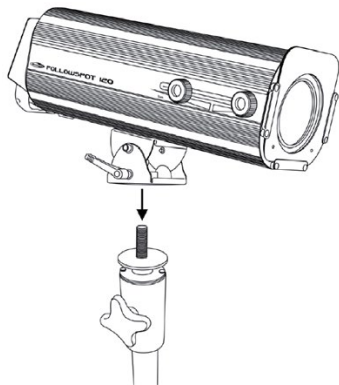
IP-Rating doesn't mean unlimited outdoor use and protection against any kind of environmental influence! Especially sunlight and included UV will bring accelerated aging. Some fixtures need special parts or processes to fit the rated IP-Protection, like mounting covers or caps or similar. Sealings and other plastic or rubber materials are aging parts. They must be checked frequently to ensure the protection and safety of the fixtures. Also specified torque of screws can affect protection!

Setup

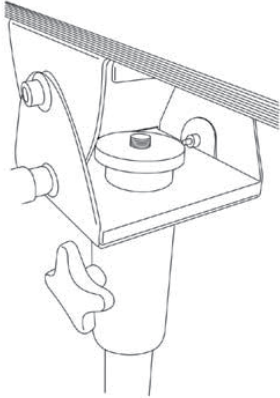
01) Remove the mounting screw from the tripod, by turning it counterclockwise.



02) Place the Followspot on the tripod.



03) Tighten the mounting screw.



Inclination screw

01) Loosen the inclination screw and tilt the Followspot to the desired angle.

02) Tighten the inclination screw.

