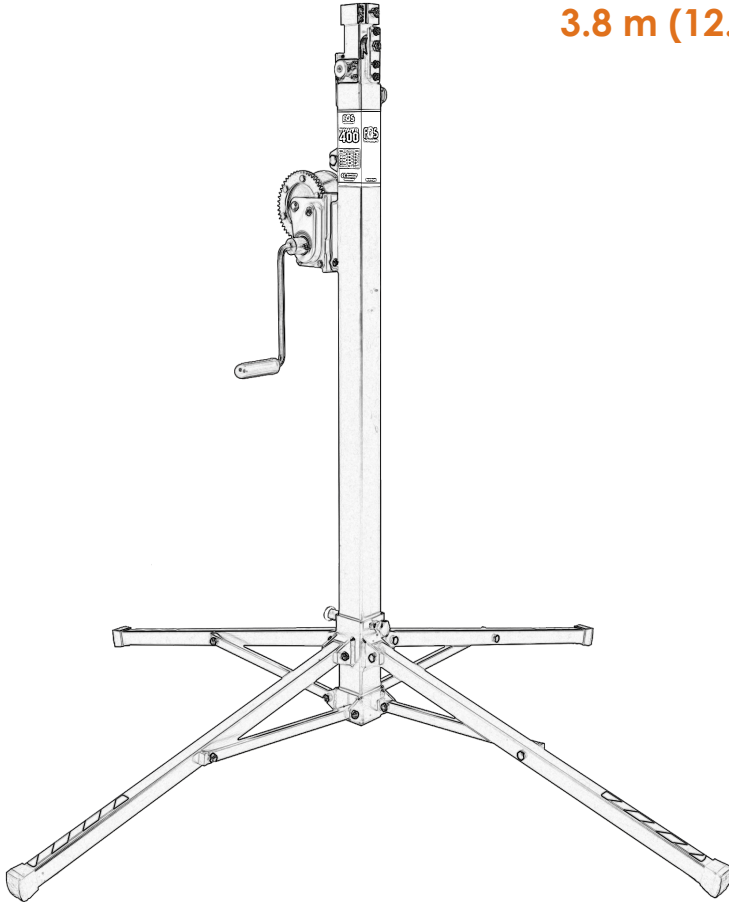




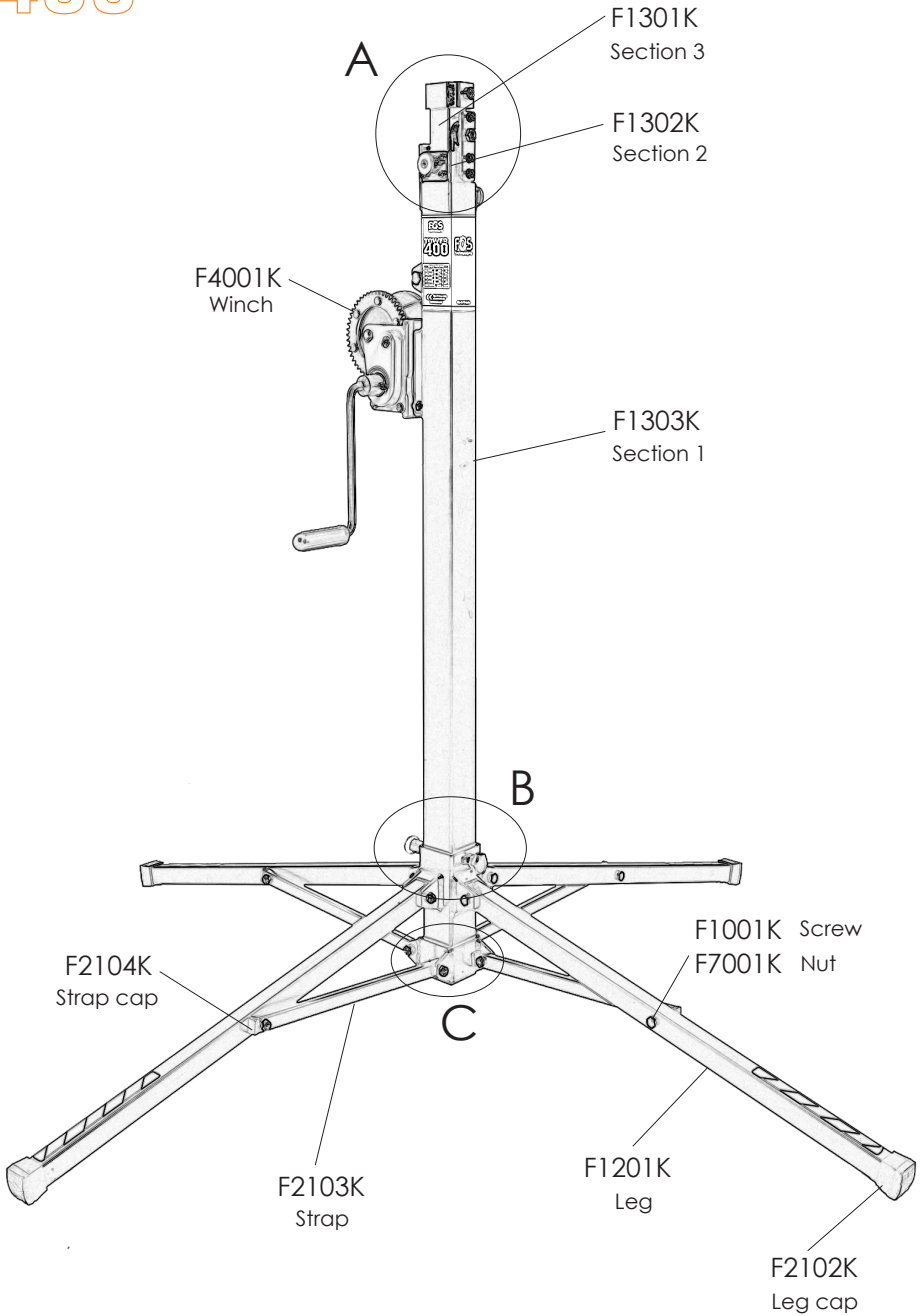
TOWER 400

125 kg (275.6lb)
3.8 m (12.5')

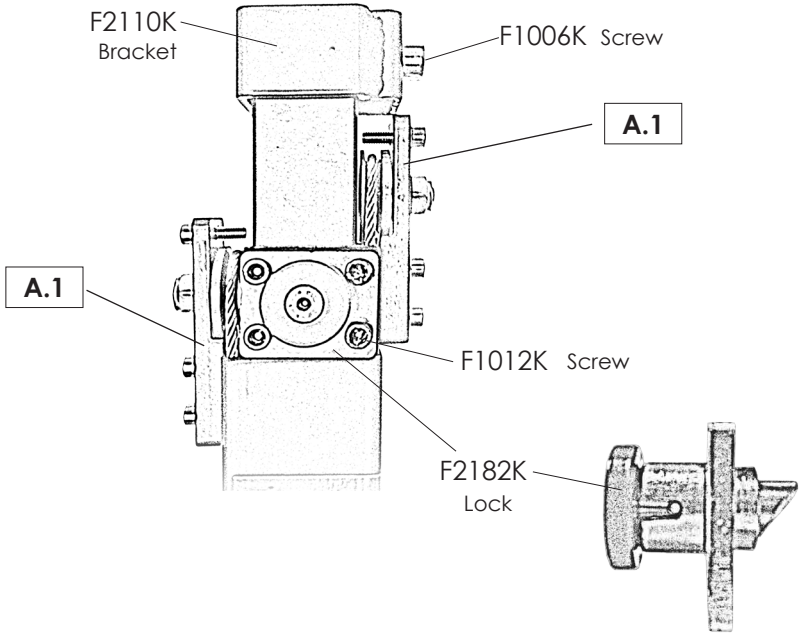


MATERIAL TELESCOPIC LIFTER User Manual

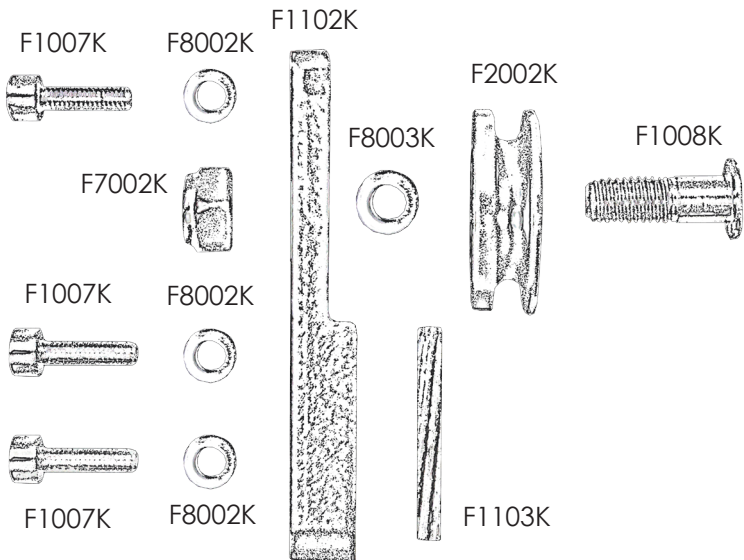
TOWER 400



A



A.1



B

F2105K
Soporte patas /
Leg support

F2107K
Gatillo / Lock

F7001K
Tuerca / Nut

F2109K
Pomo soporte patas /
Leg support knob

F2101K
Tapón superior pata/
Leg upper cap

F1001K
Tornillo / Screw

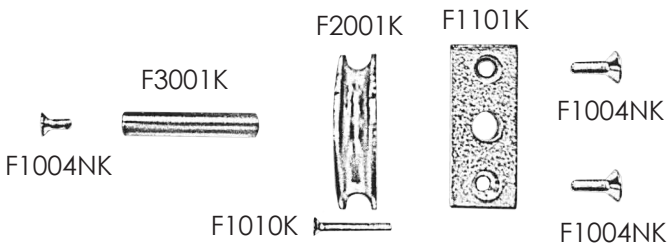
C

F2106K
Soporte fijo tirantes /
Fixed strap support

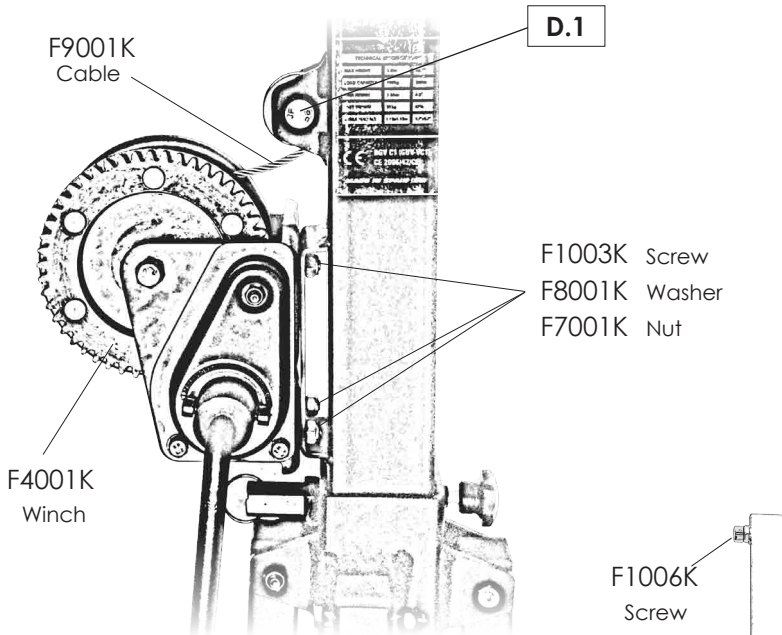
F7001K Tuerca / Nut

F1002NK Tornillo / Screw

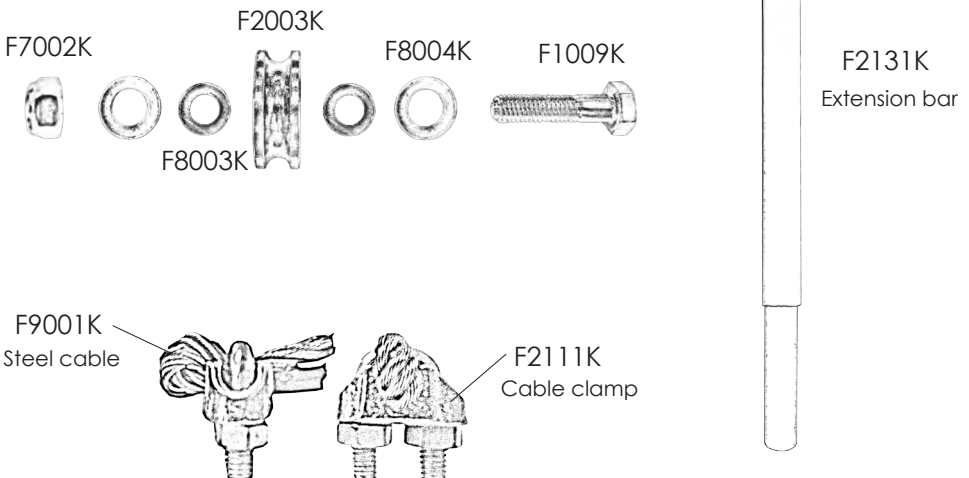
C.1 - Lower pulleys set Section 2 (Ref.1302)



D



D.1



| Code/Código | Description/Descripción |
|-------------|--|
| F1001K | M8x55 hexagonal screw |
| F1002NK | M8x25 hexagonal screw |
| F1003K | Allen screw M8x16 |
| F1004NK | Conic allen screw M5x12 |
| F1006K | Allen screw M10x25 |
| F1007K | Allen screw M6x20 |
| F1008K | Special M10 screw |
| F1009K | Hexagonal screw M10x40 |
| F1010K | Conic screw M4x35 |
| F1012K | Allen screw M6x10 |
| F1101K | 10mm axis plate |
| F1102K | Pletina portapolea |
| F1103K | FOS 400 threaded pulley cover plate |
| F1201K | FOS 400 Leg |
| F1301K | Section 3 FOS 400 |
| F1302K | Section 2 FOS 400 |
| F1303K | Section 1 (Base) FOS 400 |
| F2001K | Pulley Ø 50 |
| F2002K | Pulley Ø 40 (Upper pulley support FOS-400) |
| F2003K | Pulley Ø 40 (Cable entry) |
| F2101K | Upper leg tap |
| F2102K | Ground leg tap |
| F2103K | Leg strap |
| F2104K | Strap tap |
| F2105K | Sliding leg support |
| F2106K | Fixed strap support |
| F2107K | Short lock for sliding leg bracket |
| F2109K | Knob for sliding leg bracket |
| F2110K | 35x35 mm Bracket |
| F2111K | Cable clamp screw Ø4 mm |
| F2131K | FOS 400 extension bar |
| F2182K | FOS 400 Lock |
| F3001K | 10x50 steel axis |
| F4001K | 450 kg winch |
| F7001K | Auto-block nut M8 |
| F7002K | Auto-block nut M8 |
| F8001K | Flat M8 washer |
| F8002K | M6 washer |
| F8003K | Flat M10 washer |
| F8004K | M12 washer |
| F9001K | Cable FOS 400 (Ø4mm) |

Operating Instructions

1 - INTRODUCTION.

Dear user. Thank you purchasing your FOS 400 lifter. We hope you will be very satisfied with it.

This manual has been written so that you can understand how to effectively use the lift and most importantly, so that you can use it safely.

It is important that you fully read the manual and follow the instructions carefully before using your lift. All FOS lifts undergo a very strict quality control process during their manufacture. So that your lift always works properly please only purchase original FOS parts from an authorized distributor or dealer. The user waives all warranty rights if using parts other than FOS or if the product is manipulated in any way by an unauthorized third party. When requesting parts, please refer to the diagrams in the back of this manual and quote the serial number and year of manufacture located on your lifter.

2.- TECHNICAL SPECIFICATIONS.

The FOS 400 lifter has been designed for vertically lifting lighting, trussing and other materials in the professional light and sound sector. There is various supports or accessories available, please refer to our website or catalogue.

2.1 - Max. load: 125 kg (275.6 lb).

2.2 - Min. load: 25 kg (55 lb).

2.3 - Max. height: 3.2 m (10,5') (with extension bar 3.8m (12,5')

2.4 - Folded. height: 1.26 m (4,1')

2.5 - Transport surface: 1,27x0.27x0.36m (4.17'x0.89'x1.18').

2.6 - Shipping dimension: 1,28x0.29x0.18m (4.20'x0.95'x0.59'). (Handle removed)

2.7 - Work surface: 1.50 x 1.50 m (4,90' x 4,90')

2.8 - Weight: 21 kg (46 lb)

2.9 - Winch: 450 kg certified.

2.10 - Cable: Steel DIN 3060. Tensile strength 180 kg/mm². Anti-torsion & anti-corrosion 4 mm cable diameter.

2.11 - Construction material: Steel profiles EN 10305.

2.12 - Three-profile telescopic system operated by steel cable driven by pulleys with metal protected bearing pads. Adaptor Ø35 mm.

2.13 - Antirust protection priming paint bathed black steel, covered with cured polyester dust.

Operating Instructions

3 - SAFETY GUIDELINE.

- 3.1.- Situate the tower on a solid and flat surface.
- 3.2.- Check that the support system is fixed by the security trigger and that the tower is in a upright position.
- 3.3.- Check that the tower is locked in its working position with the safety lock.
- 3.4.- When used outdoors, place the tower on a hard surface and if necessary secure it against excess wind force via cable braces.
- 3.5.- Do not use ladders nor lean them against the lifter.
- 3.6.- Be careful with any cables, prominent objects etc. placed above the tower.
- 3.7.- Do not stand underneath the load.
- 3.8.- Do not move the tower when it is elevated or loaded.
- 3.9.- Before using the tower, check the condition of the cable. This must be free of cuts and frays. Never use damaged cables.
- 3.10.- Never dismount the winch handle or any element of the winch under any circumstance.
- 3.11.- Once the tower is set-up in its working position we recommended the winch handle is locked to avoid anyone interfering with it.
- 3.12.- The minimum load for a safe operation of the brake is 25 kg. The brake will not function without this minimum load.
- 3.13.- Do not grease or lubricate the brake mechanism of the winch.
- 3.14.- This lift cannot lift human beings.
- 3.15.- For transportation it is necessary to retract all profiles and lock them with the corresponding safety lock.

4.- OPERATION.

- 4.1.- Place the tower on a flat and solid surface where it is going to be used.
- 4.2.- Unlock the safety lock from the legs support system. Slide the support system downwards until the lock has reached the required position.
- 4.3.- Attach the load to the tower using the desired support (the support varies upon the application), and ensure it is only used to lift loads vertically. The minimum load is 25 kg.
- 4.4.- Elevation:** Extend the tower by turning the winch handle clockwise, lifting the load to the desired height.

Operating Instructions

4.5.- Hold: Release the winch handle, it will remain in position by the action of the winch's automatic brake. Ensure the FOS lock has introduced in to the profile by turning the handle slightly anti-clockwise.

4.6.- Continue elevating: Turn the winch handle again clockwise and lift the load until the second profile is fully extended. Release the handle which will remain fixed by the winch's automatic brake and proceed to ensure that the FOS lock has introduced into the second profile by turning the handle again anti-clockwise. The tower can be stopped in any desired intermediate position. Simply release the winch handle and secure the tower by inserting the corresponding FOS lock into the hole which is closest to the required position.

4.7.- Descent: Descending the load follows the same procedure but in reverse. Firstly unlock the FOS lock and turn the winch handle anti-clockwise, until the first profile is completely folded down. Now unlock the next FOS lock and retract the second profile. Just as when lifting the load, the lift may be stopped at any intermediate position.

4.8.- Transport: When transporting / carrying the lift it is necessary to fold the tower by retracting all the profiles completely. Then close the sliding support piece and fix it with the safety lock and tightening the knob.

5.- MAINTENANCE.

5.1.- All cables must be checked regularly. Faulty cables must be replaced immediately. Do not use the lifter with faulty cables as it is potentially very dangerous. Only use DIN 3060 cables, supplied from an authorised dealer.

5.2.- The lifter is delivered ex factory completely greased. Depending on its mechanical use though, we recommend that the crown wheel of the winch, the pads & bushings of the drive shaft, the handle thread and the profiles of the lift are periodically greased.

ATTENTION:

Do not apply oil or grease to the brake mechanism.

The brake discs have been pre-greased with a special heat and pressure resistant grease. To avoid malfunction to the winch brake, no other products must be used except the original provided by the company. It is not necessary to grease the brake discs.

Operating Instructions

5.3.- Your lifter should be inspected at least once a year by a specialized / authorized service centre.

5.4.- Only original FOS spare parts must be used to guarantee the reliability and operational safety of your lifter. The user shall lose all warranty claims if he uses anything other than original spare parts or modifies this product in any way.

5.5.- In case a spare part is required please indicate the reference number which can be found in the spare parts list at the back of this manual.

6.- WARRANTY.

All FOS TECHNOLOGIES lifts come with 2 years warranty. This warranty period is from the date of purchase. FOS will repair any defect product caused by either faulty materials or poor workmanship free of charge within this period as long as the parts are fitted by an authorized dealer.

If the product have been manipulated in any way or a repair attempted by an unauthorized dealer the warranty will be invalid. This warranty does not cover damage occurred by improper use.

7.- CERTIFICATIONS.

FOS reserves the right to make any modification/alteration to the lift without prior notice. Any modification/alteration would be an innovation, intended to improve the product.



TOWER
400

FOS Technologies LTD
Bulevard Iliensko Shose 8
Sladova Baza ZMM, Sofia, BG
info@fos-lighting.eu
www.fos-lighting.eu

Call Center : +30 2102811700