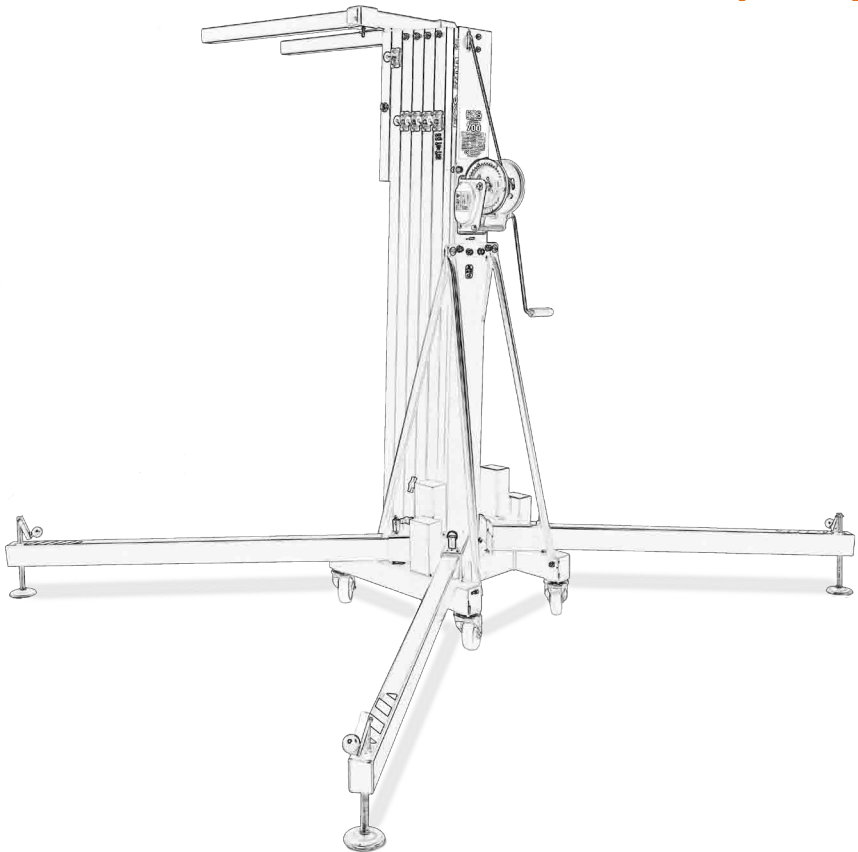




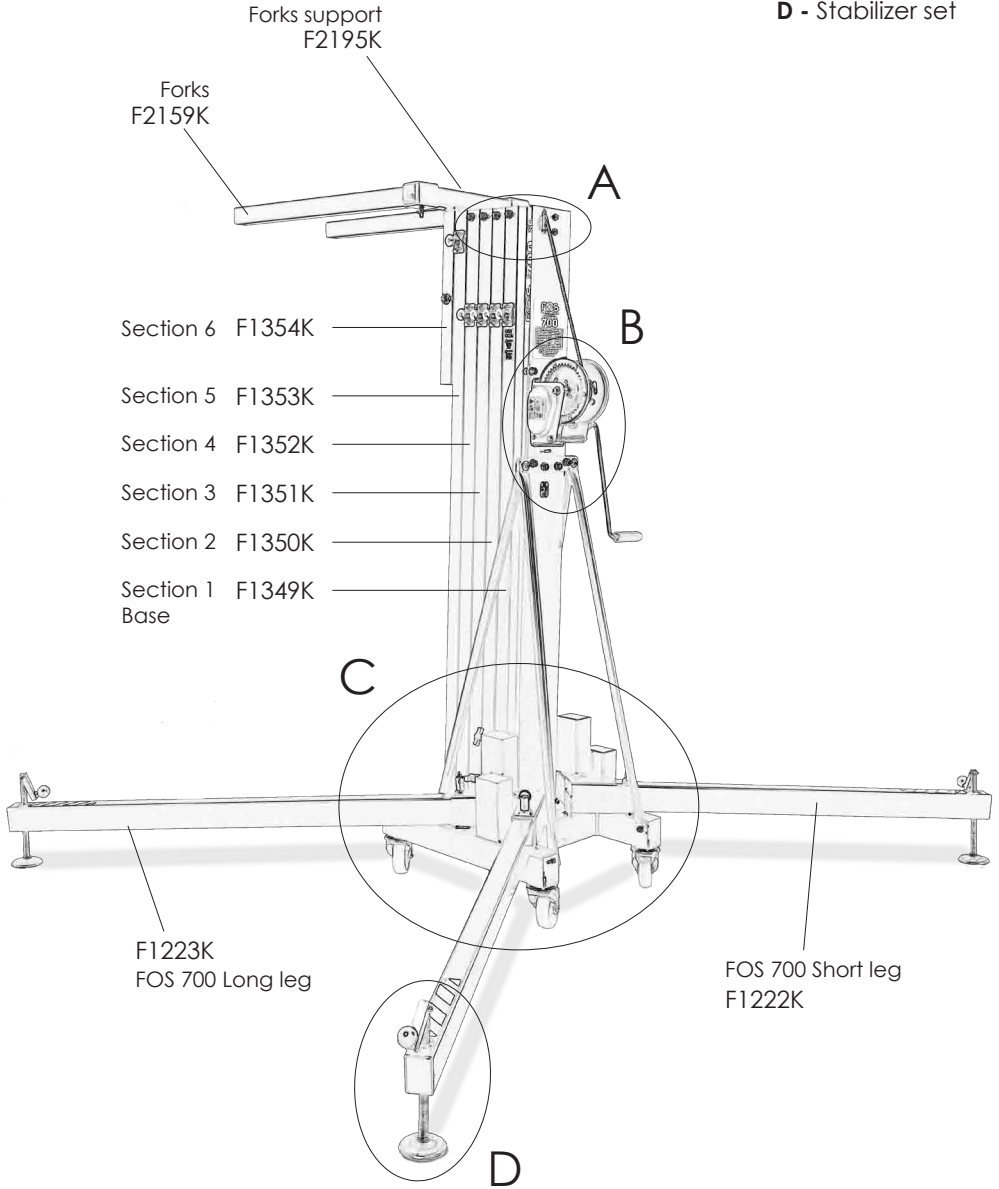
TOWER 700

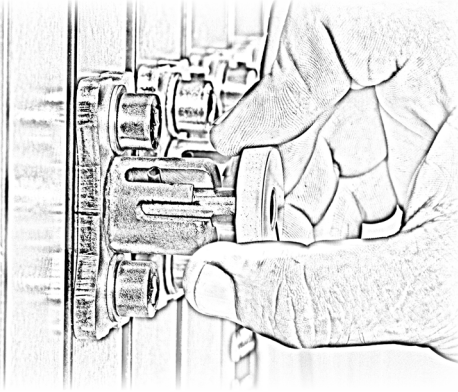
270 kg (595.3lb)
6.65 m (21.81')



MATERIAL ALUMINIUM LIFTER User Manual

- A** - Pulleys sets
- B** - Winch set
- C** - Base set
- D** - Stabilizer set





LIFT



BLOCK

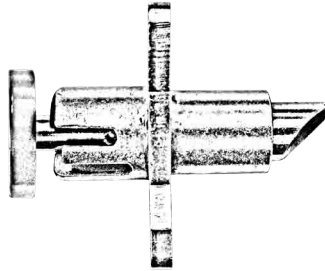
Screw
F1029K



Washer
F8001K



FOS Lock
F2185K

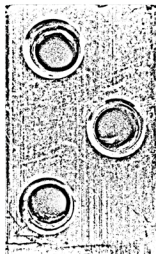


Lock rest
F2138K



Prisionero final de cable / Cable grip

F2154K



F1038K



F1038K



F1038K



F1038K



F1038K



F1038K



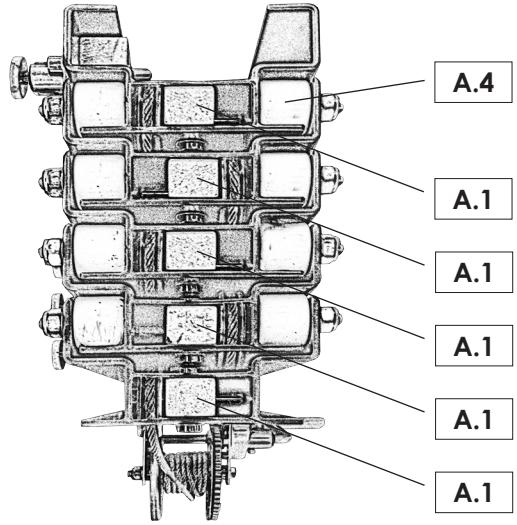
F2156K



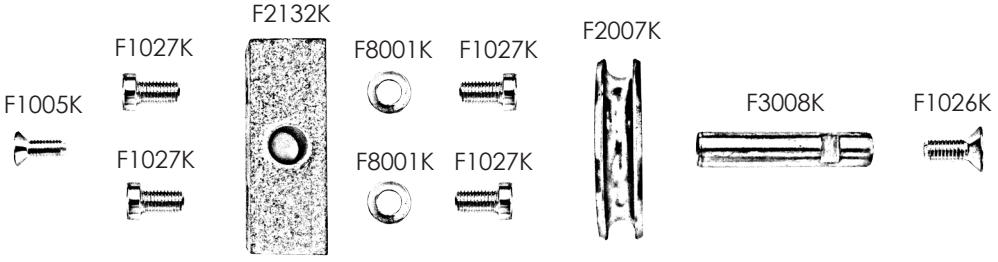
F2157K



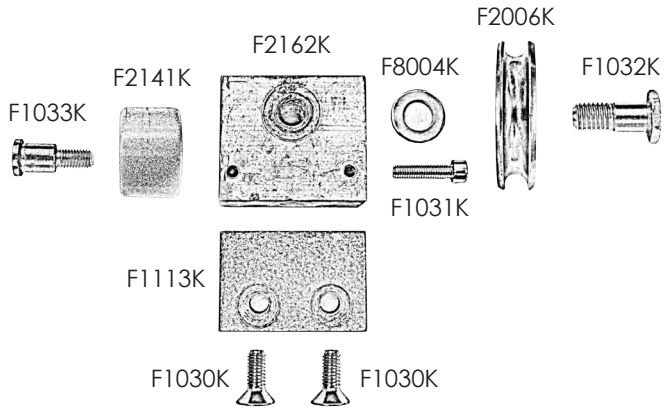
Top view **A**



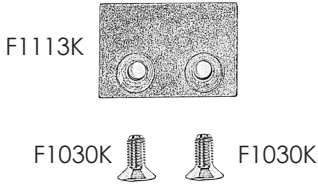
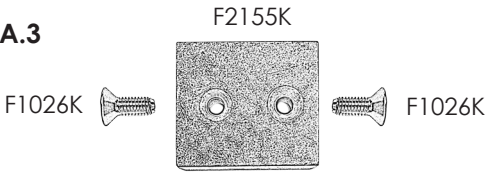
A.1



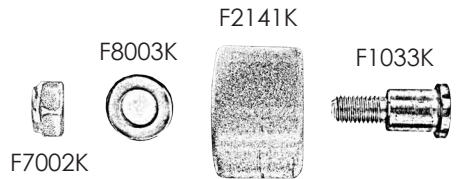
A.2



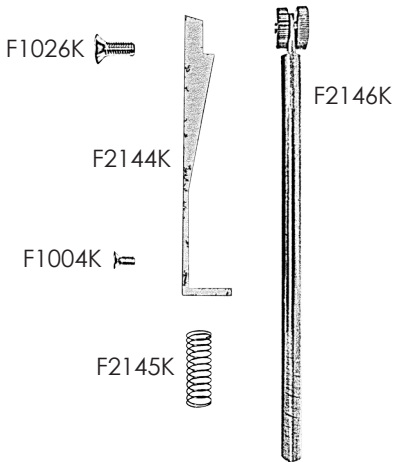
A.3



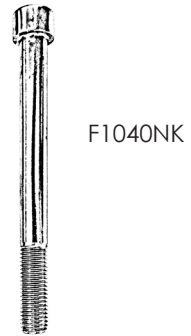
A.4



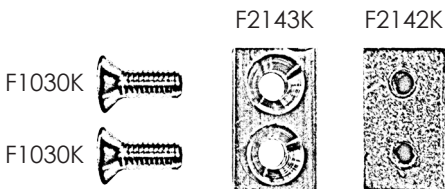
A.5



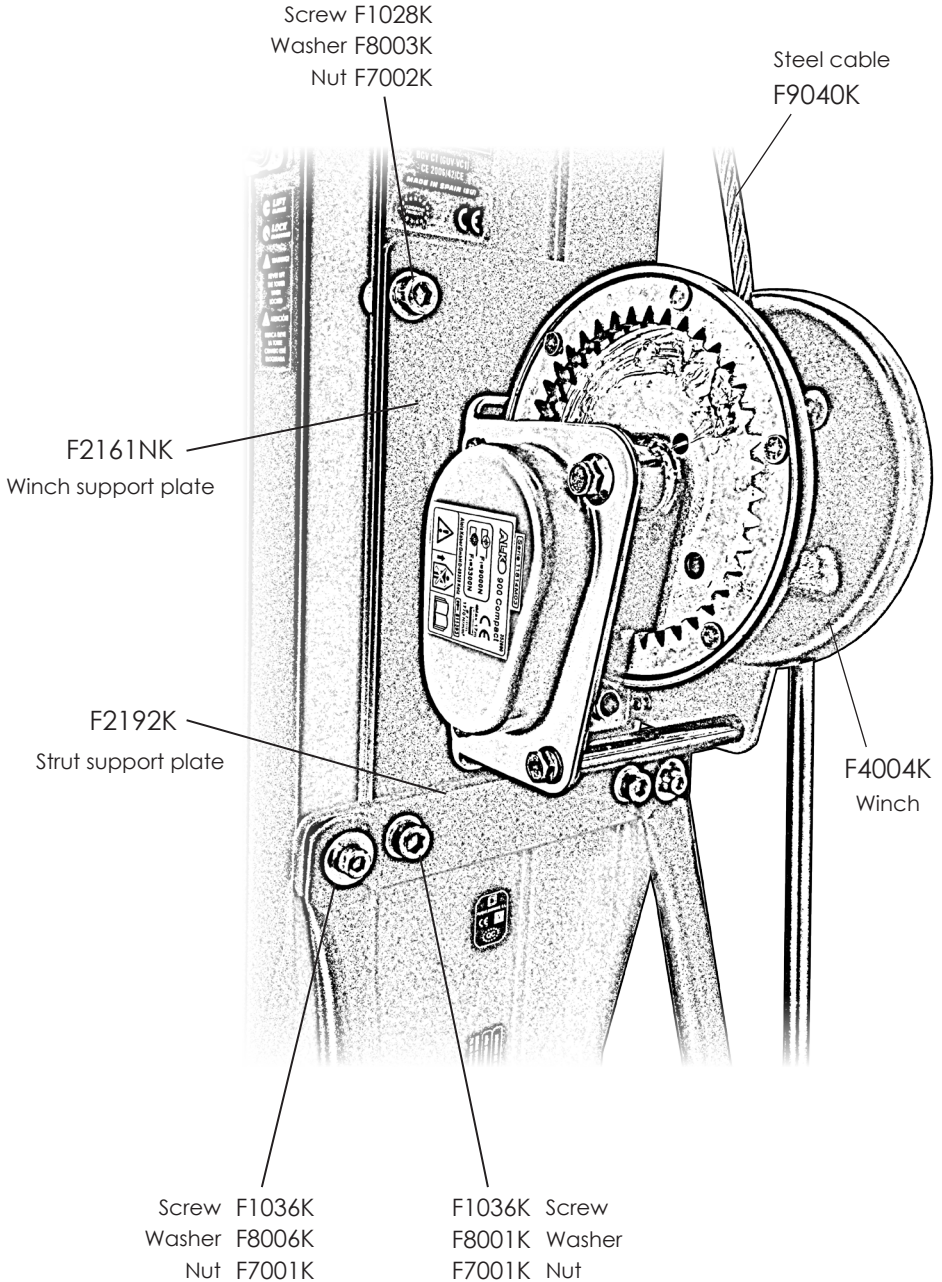
A.6

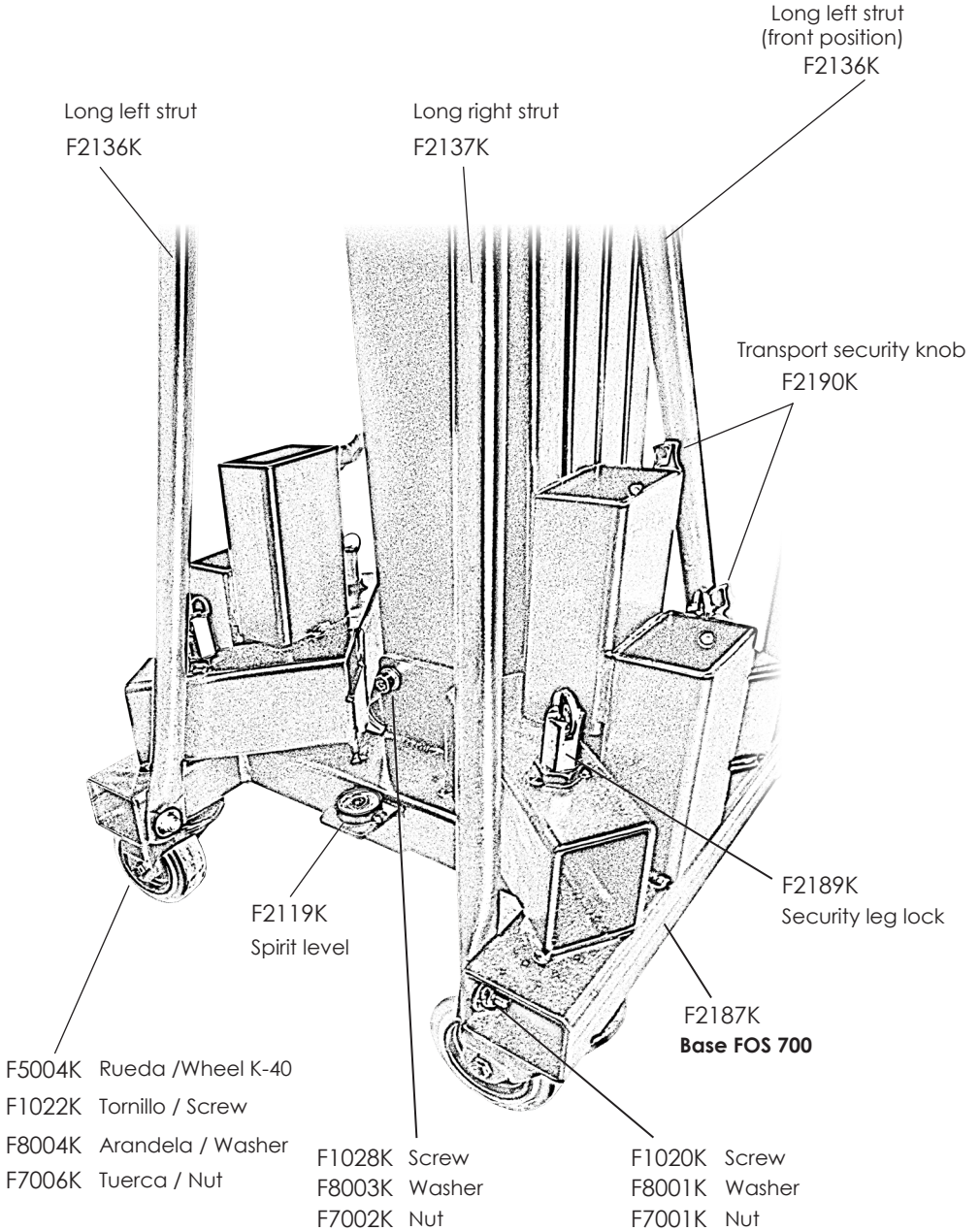


A.7

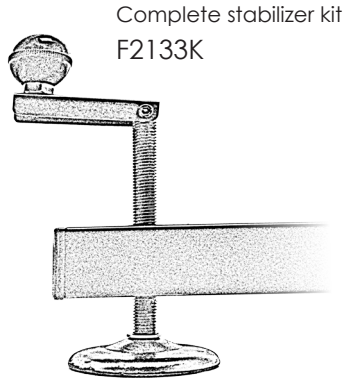
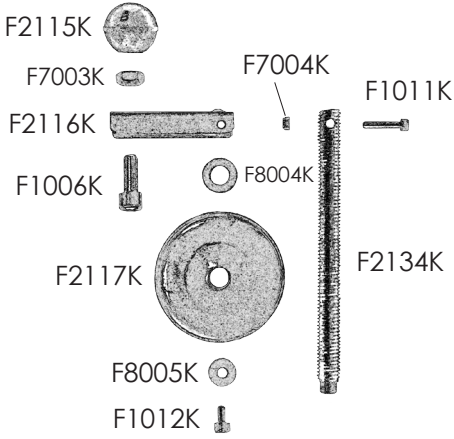


B





D



Code/Código	Description/Descripción
F1004K	Conic screw M5 x 12
F1005K	Conic allen screw M6 x 16
F1006K	Allen screw M10 x 25
F1011K	Allen screw M5 x 25
F1012K	Allen screw M6 x 10
F1020K	Allen screw M8 x 25
F1022K	Allen screw M12 x 40
F1026K	Conic screw M8 x 20
F1027K	Special screw M8 x 16
F1028K	Allen screw M10 x 30
F1029K	Allen screw M8 x 35
F1030K	Conic screw M8 x 25
F1031K	Allen screw M5x20
F1032K	Special flat M12 screw
F1033K	Nylon runner screw
F1036K	Allen screw M8 x 30
F1038K	Headless allen screw M8 x 10
F1040NK	Allen screw M14 x 180
F1113K	Alluminium stop piece
F1222K	Short leg FOS 700
F1223K	Long leg FOS 700
F1349K	FOS 700 Section 1 (Base)
F1351K	FOS 700 Section 2
F1352K	FOS 700 Section 3
F1353K	FOS 700 Section 4
F1354K	FOS 700 Lifting carriage section 5
F2006K	Pulley Ø80
F2007K	Pulley Ø55
F2115K	Stabilizer ball M10
F2116K	Stabilizer handle
F2117K	Stabilizer plate °80
F2119K	Spirit level indicator
F2132K	Axel rest
F2133K	Complete stabilizer
F2134K	Threaded Bolt M18
F2136K	Long left strut
F2137K	Long right strut

Code/Código	Description/Descripción
F2138K	Lock rest
F2140K	Small lower pulley rest °55
F2141K	Nylon runner
F2142K	Section Top
F2143K	Section screw top
F2144K	Brake ramp
F2145K	Spring
F2146K	Carriage break
F2154K	Cable clamp
F2155K	Base section rest
F2156K	Pin
F2157K	“R” Shape clip
F2159K	Lifting fork
F2161NK	Short winch plate FOS 700
F2162K	Pulley rest Ø80
F2185K	FOS 700 Lock
F2187K	FOS 700 Base
F2189K	Security leg lock
F2190K	Transport security knob for legs
F2192K	FOS 700 strut support plate
F2195K	FOS 700 Fork support
F3008K	12 x 92 Axel
F4004K	900kg Winch Long handle
F5004K	Wheel Ø100 (white)
F7001K	Auto-block nut M8
F7002K	Auto-block nut M10
F7003K	Nut M10
F7004K	Auto-block nut M5
F7006K	Auto-block nut M12
F7007K	Butterfly nut
F8001K	M8 washer
F8003K	M10 washer
F8004K	M12 washer
F8005K	Wide M6 washer
F8006K	Wide M8 washer
F8009K	M14 washer
F9040K	FOS 700 Cable Ø6mm

Operating Instructions

1 - INTRODUCTION.

Dear user. Thank you purchasing your FOS 700 lifter. We hope you will be very satisfied with it.

This manual has been written so that you can understand how to effectively use the lift and most importantly, so that you can use it safely. It is important that you fully read the manual and follow the instructions carefully before using your lift. All FOS lifts undergo a very strict quality control process during their manufacture.

So that your lift always works properly please only purchase original FOS parts from an authorized distributor or dealer. The user waives all warranty rights if using parts other than FOS or if the product is manipulated in any way by an unauthorized third party.

When requesting parts, please refer to the diagrams of this manual and quote the serial number and year of manufacture located on your lifter.

2 - TECHNICAL SPECIFICATIONS.

FOS lifter, model K-40 has been designed for vertically lifting lighting, trussing etc in the Professional sound and light sector. There is various supports or accessories available, please refer to our website or catalogue.

2.1 - Max. load: 270 kg (595.25 lb)

2.2 - Min. load: 25 kg (55 lb)

2.3 - Max. height: 6.65 m (21.81')

2.4 - Folded height: 1.78 m (5.84')

2.5 - Work surface: 1.88 x 2.15 m (6.17' x 7.05')

2.6 - Folded base area: 46 cm x 60 cm (1.51' x 1.97')

2.7 - Weight: 144 kg (317.47 lb)

2.8 - Winch: 900 kg certified

2.9 - Cable: Steel DIN 3060. Tensile strength 180 kg/mm². Anti-torsion & anti-corrosion
Ø6 mm cable diameter.

2.10 - Construction material: Alluminium profiles 6082T6.

2.11 - Antirust protection priming paint bathed black steel, covered with cured polyester dust.

Operating Instructions

- 2.12 - FOS Locks on each section which automatically slots in to the sections during elevation, locking them in place.
- 2.13 - Anchor of the legs by safety catches.
- 2.14 - Adjustable stabilizer plates in the legs with nonslip rubber base support.
- 2.15 - Spirit level for vertical alignment.
- 2.16 - Swivel wheels for transporting the lifter to its working position.

3 - SAFETY GUIDELINE.

- 3.1 - Situate the tower on a solid and flat surface.
- 3.2 - Check that the legs are fully inserted and secured in to their housing with the safety locks.
- 3.3 - Ensure that the lifter is in a vertical position and use the spirit level located on the base profile to check. If necessary, adjust its alignment with the plates by turning the handle in the appropriate direction.
- 3.4 - Check that the tower is locked in its working position with the safety lock.
- 3.5 - When used outdoors, place the tower on a hard surface and if necessary secure it against excess wind force via cable braces.
- 3.6 - Do not use ladders nor lean them against the lifter.
- 3.7 - Be careful with any cables, prominent objects etc. placed above the tower.
- 3.8 - Do not stand underneath the load.
- 3.9 - Do not move the tower when it is elevated or loaded.
- 3.10 - Before using the tower, check the condition of the cable. This must be free of cuts and frays. Never use damaged cables.
- 3.11 - Never dismount the winch handle or any element of the winch under any circumstance.
- 3.12 - Once the tower is set-up in its working position we recommended the winch handle is locked to avoid anyone interfering with it.
- 3.13 - The minimum load for a safe operation of the brake is 25 kg. The brake will not function without this minimum load.
- 3.14 - Do not grease or lubricate the brake mechanism of the winch.
- 3.15 - This lift cannot lift human beings.
- 3.16 - For transportation it is necessary to retract all profiles and lock them with the corresponding safety lock.

Operating Instructions

4 - OPERATION.

4.1 - Place the tower on a flat and solid surface where it is going to be used.

4.2 - Remove the legs from their transport supports and insert them in their working position. Check that they are fully inserted and fixed with their safety lock.

4.3 - Ensure that the lifter is in a vertical position and use the spirit level located on the base profile to check the bubble is centred. If necessary, adjust its alignment with the stabilizer plates by turning the handle in the appropriate direction.

4.4 - Change the forks to their horizontal working position and fix them with the fastener pins, place the load on the forks using a FOS Accessory if necessary, and ensure that the tower is only used to lift loads vertically. The minimum load is 25 kg.

NEVER RAISE THE TOWER SECTIONS WITHOUT LOAD.

4.5 - Elevation:

4.5.1 - Ensure that all the FOS locks are in the BLOCK position.

4.5.2 - Change the n°1 FOS lock to the LIFT position.

4.5.3 - Turn the handle clockwise to raise the lifting carriage of the tower.

4.5.4 - When you have reached the desired height, fix the n°1 FOS lock in by turning the handle anti-clockwise. Change the n°1 FOS lock to the BLOCK position.

4.5.5 - Change the n°2 FOS lock to the LIFT position.

4.5.6 - Turn the handle clockwise to rise the next section of the tower.

4.5.7 - When you have reached the desired height, fix the n°2 FOS lock in by turning the handle anti-clockwise.

Check that the n°2 FOS lock has introduced in to its corresponding hole.

And change the n°2 FOS lock to the BLOCK position.

4.5.8 - Repeat these steps to raise all the sections of the tower, changing all the FOS locks left orderly to the LIFT position and turning the handle clockwise.



Operating Instructions

WARNING: *The tower can be left in any intermediate height if necessary. Just make sure that the FOS locks are always fixed and introduced. In the unlikely event of cable breaking the FOS locks will ensure that the tower stays **UP and SECURE**.*

Your security is our main concern.

4.6 - Descent:

4.6.1 - To fold the tower down, first, turn the handle of the winch clockwise to tighten the steel cable.

4.6.2 - Once the cable is tense, pull out the **n°5** FOS lock, maintain it always in LIFT position but keep it out.

4.6.3 - While you keep the FOS lock out, turn the handle anti-clockwise to bring down the corresponding section of the tower.

4.6.4 - Once the section has been brought down, release the **n°5** FOS lock, and pull out the **n°4** FOS lock.

4.6.5 - While you keep the next FOS lock out, turn the handle anti-clockwise to bring down the next section.

4.6.6 - Keep repeating these steps, pulling out all the FOS locks left in order while you turn the handle anti-clockwise.

4.6.7 - Once the tower has been folded down, place all the FOS locks in the BLOCK position.

4.7 - Transport:

Turn the handle of the stabilizers to release tension on the legs in order to pull them out. Then, place the legs in their transport compartments located at the base of the tower. Pull out the forks and place them in vertical position. The tower will be ready for transport.

5 - MAINTENANCE.

5.1 - All cables must be checked regularly. Faulty cables must be replaced immediately. Do not use the lifter with faulty cables as it is potentially very dangerous. Only use DIN 3060 cables, supplied from an authorised dealer.

5.2 - The lifter is delivered ex factory completely greased. Depending on its mechanical Use though, we recommend that the crown wheel of the winch, the pads & bushings of the drive shaft, the handle thread and the profiles of the lift are periodically greased.

ATTENTION:

Do not apply oil or grease to the brake mechanism. The brake discs have been pre-greased with a special heat and pressure resistant grease. To avoid malfunction to the winch brake, no other products must be used except the original provided by the company. It is not necessary to grease the brake discs.

5.3 - Your lifter should be inspected at least once a year by a specialized / authorized service centre.

5.4 - Only original FOS spare parts must be used to guarantee the reliability and operational safety of your lifter. The user shall lose all warranty claims if he uses anything other than original spare parts or modifies this product in any way.

5.5 - In case a spare part is required please indicate the reference number which can be found in the spare parts list at the back of this manual.

6 - WARRANTY.

All FOS lifts come with 2 years warranty. This warranty period is from the date of purchase. FOS will repair any defect product caused by either faulty materials or poor workmanship free of charge within this period as long as the parts are fitted by an authorized FOS dealer. Should the product have been manipulated in any way or a repair attempted by an unauthorized dealer the warranty will be invalid. This warranty does not cover damage occurred by improper use.

7 - CERTIFICATIONS

FOS reserves the right to make any modification/alteration to the lift without prior notice. Any modification/alteration would be an innovation, intended to improve the product.



TOWER
700

FOS Technologies LTD
Bulevard Iliensko Shose 8
Sladova Baza ZMM, Sofia, BG
info@fos-lighting.eu
www.fos-lighting.eu

Call Center : +30 2102811700