



Visit product page



HT34-250

L005037

250cm HT Truss is defined by the quick connection system. 50x3 mm tubes , 20x2 mm braces, (4x pins, safety clips & couplers included), TUV approved , Made in Europe.

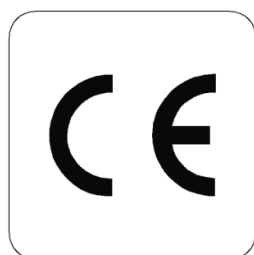
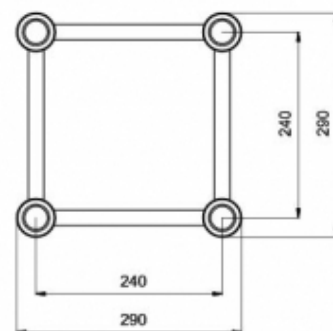
PHOTOS

LOADING TABLES HT34

	2m	4m	6m	8m	10m	12m
Event Load (kg/m)	1450	232	284	183	121	92
Deflection (mm)	1.7	13.5	33.2	59.8	81.8	134.8
Point load (kg)	2680	1566	1033	771	607	491
Deflection (mm)	2.7	11.7	36.7	66.3	76.2	116.1
	6.6m	13.2m	19.8m	26.4m	33.0m	39.6m
Event Load (kg/m)	954.3	476.1	291.2	179.7	99.3	66.1
Deflection (mm)	0.1	0.5	1.9	2.4	3.7	5.5
Point load (kg)	1262.2	3664.5	2211.8	1193.1	1108.4	1082.7
Deflection (mm)	0.1	0.5	1.1	1.9	3	4.3



SIZE IN MILLIMETERS



www.fos-lighting.eu



