



Visit product page



FOS HYDOR PROFILE

L005611

Innovative outdoor IP66 multipurpose Profile and Beam/Spot/Wash (BSW) moving head , latest technology White 730W LED light source, Total Output (Lumen) 35.000, 7000K color temperature, CRI 90Ra, lifetime 20.000 hours, Zoom range 5°-45°, variable High-precision glass lenses, electronic linear HD focus, 4-facet prism effect, 6 interchangeable variable speed rotation gobos , CW/CCW, 7 static gobos, linear CMY + CTO for infinity color mixing, framing system , frost effect, linear animation wheel .

TECHNICAL DETAILS

Light source / Optics

Light source: High Power 730 Watt LED.

Expected lifetime: 20,000 hours.

Color temperature: 7000 K.

Total luminous flux: 35.000 Lm.

CRI: 90Ra.

Motorized zoom: 5° to 45°

Spot Uniformity: 80%

Effects

CMY linear Infinity Color mixing.

CTO 7000k - 2700K

Colour wheel with 6 dichroic colours + open for rainbow and split colors.

6 rotating interchangeable gobos.

7 fixed gobos + open.

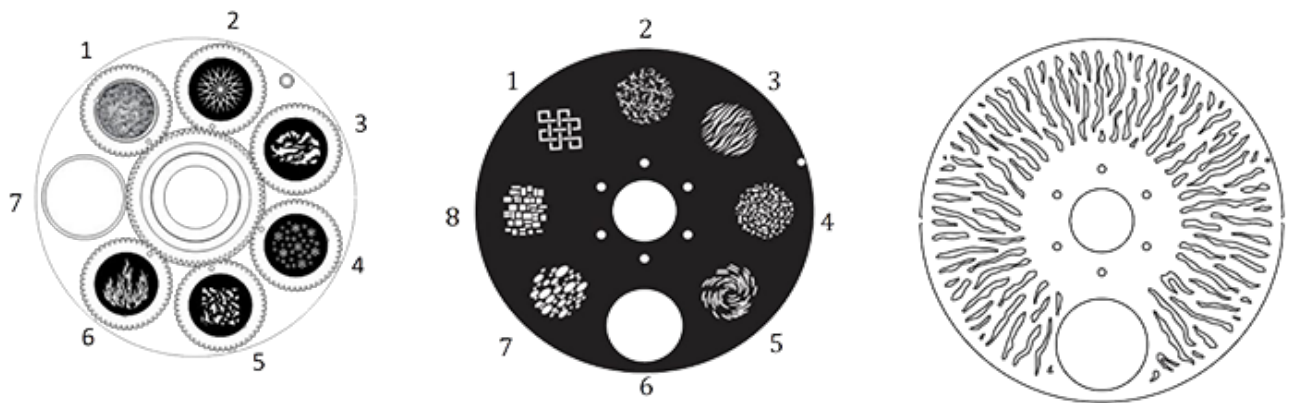
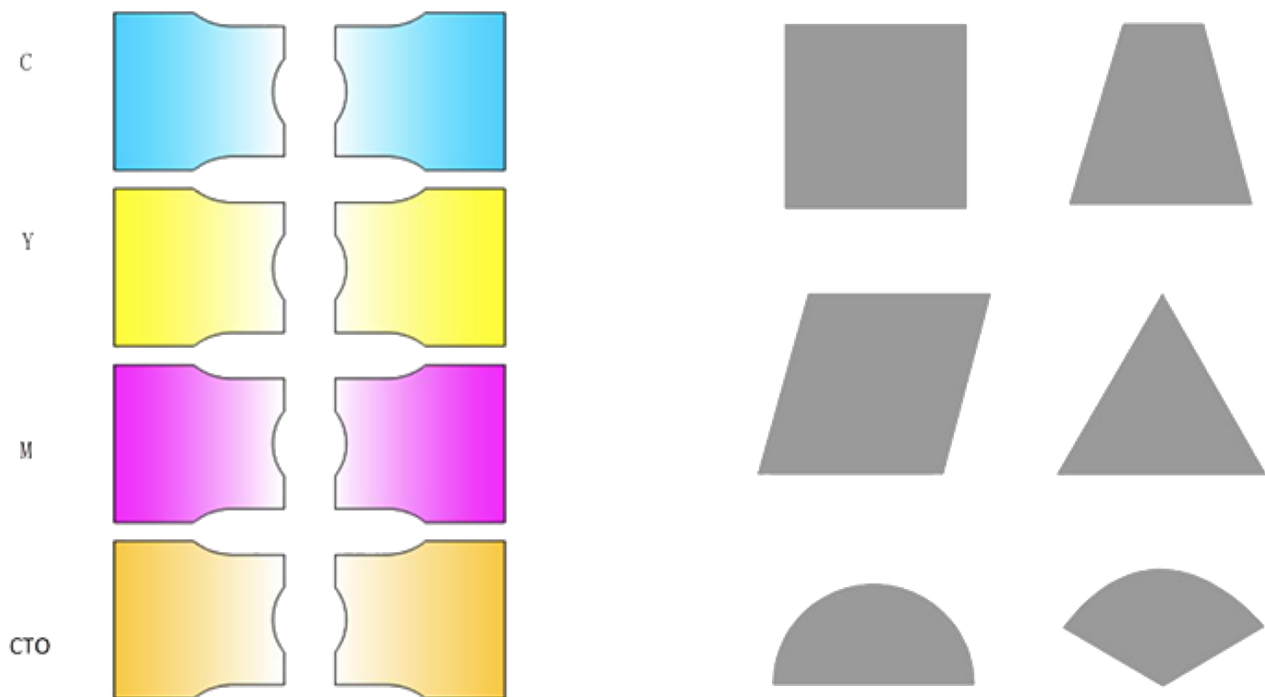
Rotating gobos characteristics: diameter 27 mm, image size 22 mm, maximum thickness 3.5 mm (use only glass gobos).

4F prism with variable speed rotation.

Frost filter.

Beam shaping with 4 blades.

Animation Disk.



Control

Protocol: DMX-512 RDM
DMX control with 37, 33 & 52 channels.
Auto programs.
Display: OLED

Installation / Dimension details

Power supply: 110/240 Volt AC, 50/60 Hz.
Power Consumption: 1111 Watt max. Current 11,3 A, power factor 0,99.
Main fuse: 250 V, 15A.

Power connection with Neutrik plug.

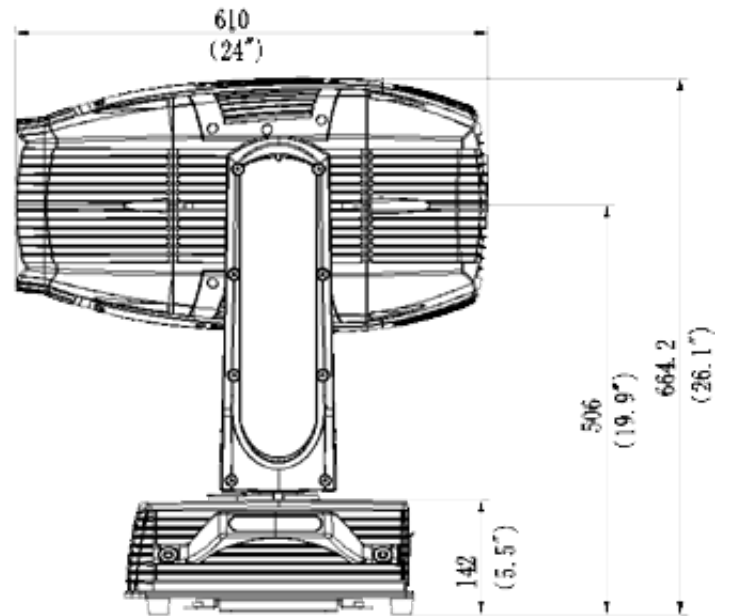
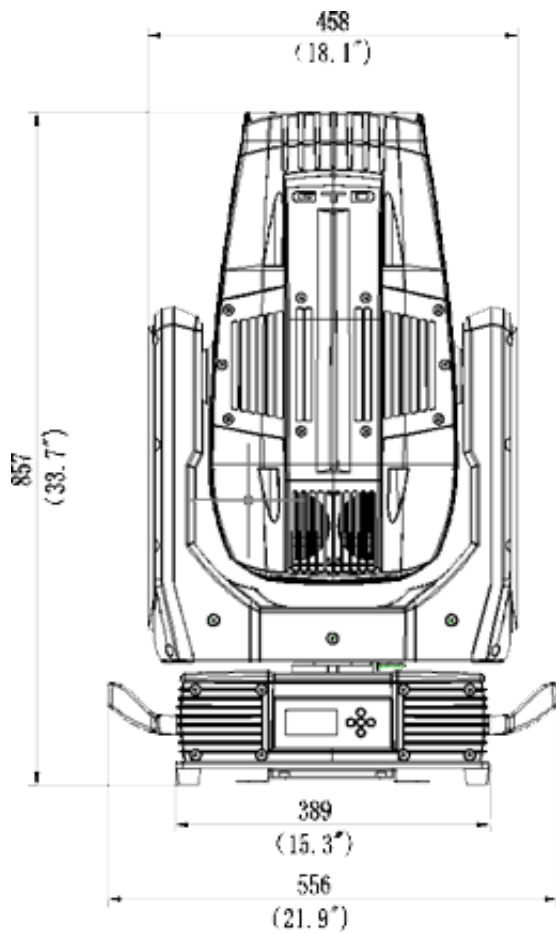
3pin XLR for DMX connection.

Operating temperature: -15°C to +45°C.

Storage temperature: -40°C to +60°C.

Dimensions: 557 mm W x 955 mm H (with extended clamps) x 389 mm D

Weight: 55 Kgs.



Photometric data

Measuring Distance : 5 meters		
	Beam mode	Spot mode
Color Temperature (K)	6462	6668
Illuminance (lx)	66657	13342
CRI (Ra)	89	73
TLCI (Qa)	83.6	53
Flicker Frequency (Hz)	2	20
Flicker(%)	0	0
Measuring Distance : 5 meters		
	Maximum Zoom	Wash mode
Color Temperature (K)	6563	6442
Illuminance (lx)	3547	2875
CRI (Ra)	72	72
TLCI (Qa)	52.4	52.9
Flicker Frequency (Hz)	3	17
Flicker(%)	0	1

For more details, check out the Photometric Data file on the Documents tab.

PHOTOS



PRODUCT VIDEO

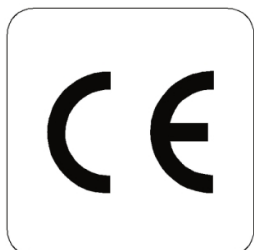


ACCESSORIES



FOS Case HYDOR PROFILE

Single case with wheels
for 1 pc HYDOR PROFILE.



www.fos-lighting.eu

