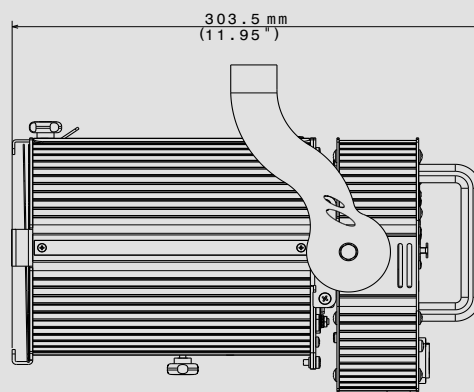
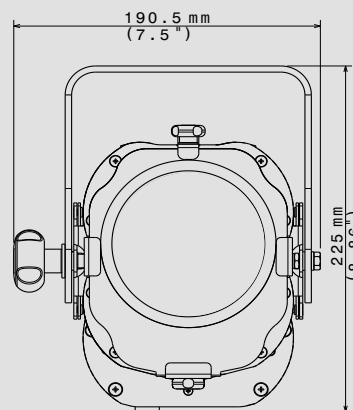


SCENA LED 80 PC



THE SMART REPLACEMENT OF THE
CONVENTIONAL THEATRE LIGHTS
WITH RAIL-MOUNTING OPTIONAL



FEATURES



OPTIONALS

CERTIFICATIONS



CODES

ANTIHALO 3000 K - 03.TS031.46.A

ANTIHALO 4000 K - 03.TS032.46.A

ANTIHALO 5000 K - 03.TS033.46.A



TECHNICAL DATA

OUTPUT

- Single White 3000 K LED source
- CRI > 90
- Also available with 4000 K and 5000 K LED
- LED lifespan: 50,000 hours (70% lumen output)

OPTICAL GROUP

- Ø 90 mm Fresnel lens
- 10° - 76° linear zoom

CONTROL

- DMX 512 / RDM or Manual control
- Multi-function 4-digit 7-segment LED display + 4 soft keys
- Firmware updatable via DTS firmware uploader dongle

DMX

- 2 DMX channels (default)
- 3 DMX channels
- 1 DMX channel

POWER SUPPLY

- Electronic Wide-range 100-240Vac 50-60 Hz;
- Power consumption: 100 W max
- Power Factor: PF >0.95

CONNECTIONS

- Power supply: PowerCON In/Out panel connectors
- DMX: XLR 5-pole In/Out panel connectors

CIRCUITS PROTECTIONS

- Overvoltage and overtemperature circuits protection

OPERATING TEMPERATURE

-10° / 40° C

PHYSICAL

- IP20
- Weight: 4.2 Kg (9.3 lbs)
- Finishing: Black

ACCESSORIES INCLUDED

- 1 x PowerCON female cable connector (code 0520P014)
- 1 x XLR 5 pins female cable connector (code 0508B027)
- 1 x XLR 5 pins male cable connector (code 0508B028)
- 1 x Filterframe Black finishing - already installed on the projector (code 02M00422.46)

ACCESSORIES ON REQUEST

- Barndoor Black finishing (code 03.TA206)
- Universal Hook Clamp - Max load 40 Kg - 88 lbs (code 0521A047)
- Outdoor DMX cable 2 x 0,25 mm² - Flame retardant (code 0509C158)
- Safety cable - 3 x 600 mm - max. capacity load 30 Kg (code 0521A010)
- DTS firmware uploader dongle (code 03.LA.206)

ACCESSORIES FOR ELECTRIFIED RAIL MOUNTING

- Track adapter - black finishing (code 03.LA.235)