

NEXT
proaudio

Matrix

Column Array series



VARIABLE BEAM SHAPING



Matrix

Column Array series

Main Applications

- Permanent installations
- Bars and Restaurants
- Speech reinforcement
- Transportation halls
- Houses of worship
- Critical environments
- Auditoriums
- Main reinforcement in small spaces
- Nightclubs

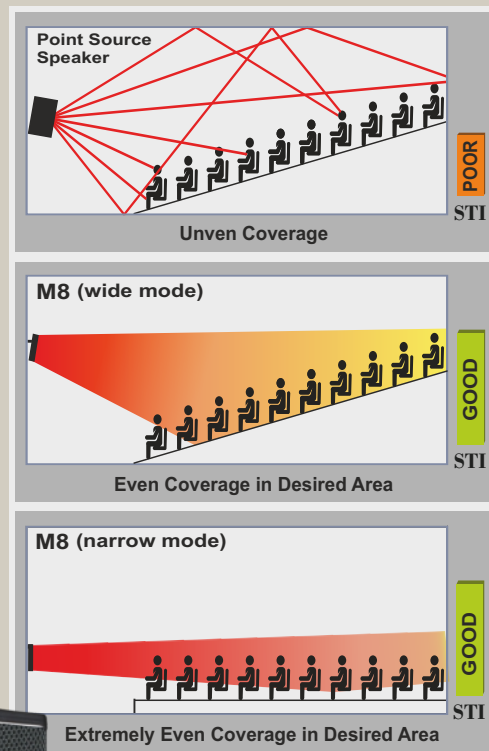
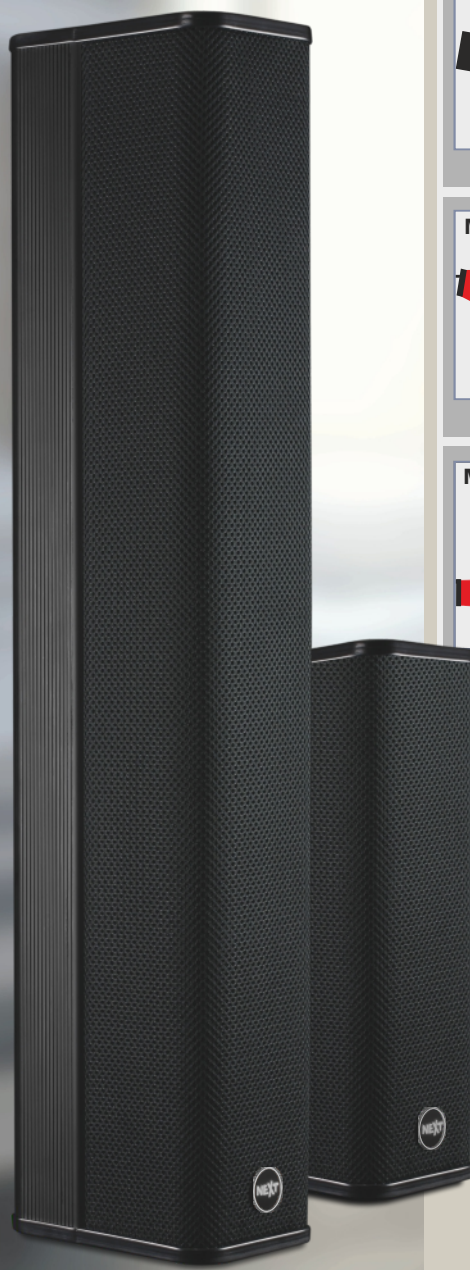
Quality. Control. Elegance.

The MATRIX passive column arrays are composed of closely-spaced state of the art, 3" neodymium transducers housed in a stylish and yet sturdy aluminum/wood chassis for excellent Architectural Integration.

These speaker arrays have been developed in order to offer the highest intelligibility at high SPL and wider frequency response while providing constant beam-width over a user selectable vertical coverage. This accurate beam control extends up to 10kHz, well beyond the benchmark of 4kHz of traditional single-driver loudspeakers.

To better control the lower frequencies, the Tuned Dipolar Technology was developed by NEXT-proaudio engineers to provide much more consistent low frequency pattern control than other similar size systems.

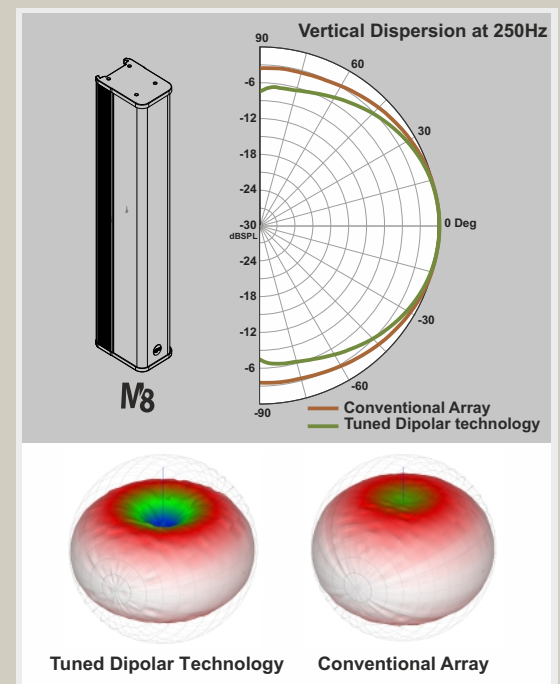
A user selectable Music / Vocal mode switch is incorporated to allow quick and easy system optimization. Music mode provides a flat, balanced frequency response, while Vocal mode adds a mid-range presence for enhanced speech intelligibility.



Focused on the audience...

NEXT MATRIX column arrays are able to focus the acoustical energy where it is needed, the listening area, leading to significant improvements to speech intelligibility and musical clarity even in critical acoustic environments.

For even greater versatility, the vertical dispersion pattern can be switched for Wide or Narrow coverage.

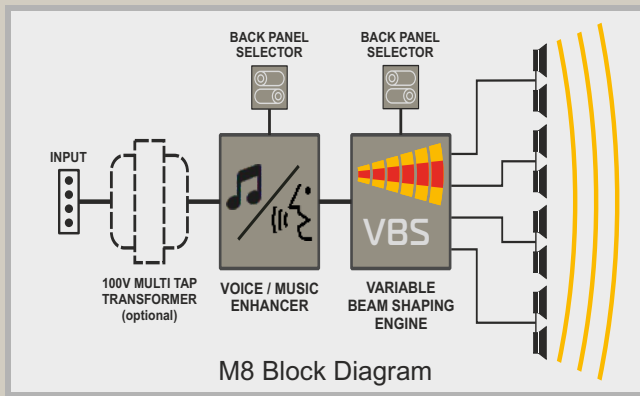


Tuned Dipolar Technology...

Small conventional column loudspeakers arrays provide no significant vertical directivity control at lower frequencies due to their physical size.

To better control the lower frequencies, the Tuned Dipolar Technology was developed to provide more consistent low frequency pattern control than other similar size systems.

This can be useful in reducing the stimulation of resonant room modes at low frequencies.



The control is yours...

The heart of the NEXT MATRIX column arrays is the internal processing board.

This proprietary special circuitry takes care of the array optimization and allows the user to easily adjust the system behavior to meet the application requirements.



Simple and discreet installation...

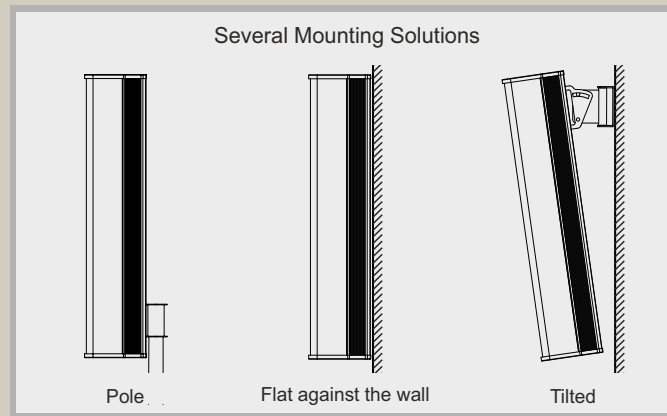
For an architectural integrated installation, a 16mm cavity in the back of the speaker provides ample space for hidden speaker wiring, even when the speaker is mounted flat against a wall.

Removable Input screw connector offers reliable, easier and more efficient wiring.

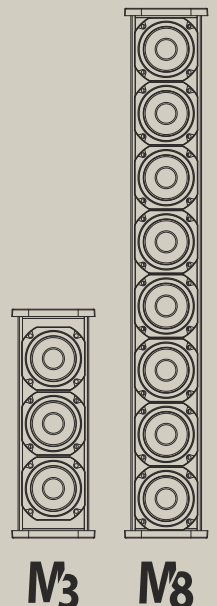
Full accessories...

A variety of accessories is available to provide linking, hanging, and wall or pole mounting.

For high-impedance (100V) operation, an optional multi tap transformer is available.



SPECIFICATIONS	M ₃	M ₈
Speaker Type:	Tuned Dipolar, Variable Beam Straight Line Array	
Drivers:	3 x 3" Custom Neodymium Speakers	8 x 3" Custom Neodymium Speakers
Freq. Resp. (-10 dB) ⁽¹⁾ :	140Hz - 20kHz	135Hz - 20kHz
Eq. Optimization Mode:	Vocal or Music (User Selectable)	
Horizontal Coverage:	90° (+/-20° 1.5-5kHz)	
Vertical Coverage (Wide/Narrow) ⁽²⁾ :	40°(+/-10° 2-16kHz) / 15°(+/-10° 3-16kHz)	25°(+/-10° 1.2-16kHz) / 10°(+10°/-5° 1.5-16kHz)
Sensitivity (Vocal/Music) 1W/1m ⁽²⁾ :	96dB / 93dB (cont.)	100dB / 97dB (cont.)
Calc. Max SPL (Vocal/Music):	118.6dB / 115.6dB (cont.)	126.1dB / 123.1dB (cont.)
Program Power :	180W	480W
Nominal Impedance:	8Ω	8Ω
Recommended Amplifier:	MA900	MA1700
Recommended Subwoofer:	K12s, K12sA, HFA115s	HFA115s, HFA118sHP
Enclosure:	Aluminum / Wood / Steel / 3D Fabric	
Standard Enclosure Color:	Black or White	
Connectors:	4 Pins Screw Connector (IN/OUT)	
Dimensions (W x H x D):	108x296x152mm (4.25x11.65x5.98")	108x677x152mm (4.25x26.65x5.98")
Net Weight:	2.6kg (5.73lbs)	6.2kg (13.7lbs)



(1)With dedicated preset (2)Measured at 8m and scaled to 1m

Preliminary information



Designed and manufactured in Portugal - European Community



Rua da Venda Nova, 295
4435-469 Rio Tinto
Portugal

www.next-proaudio.com