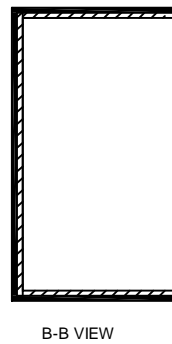
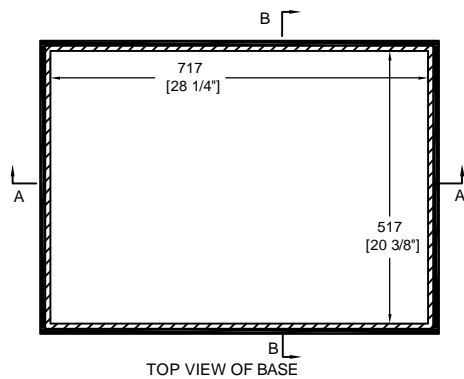
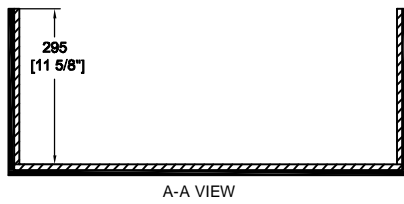
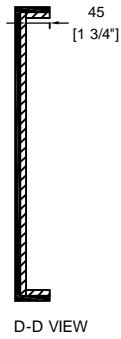
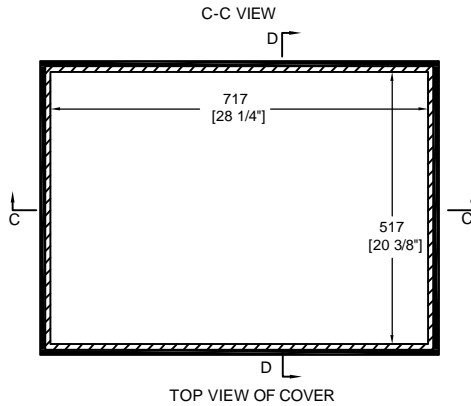
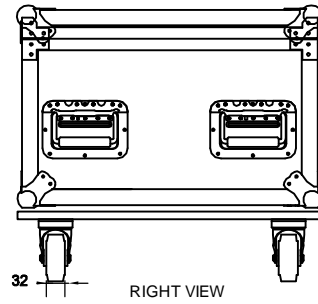
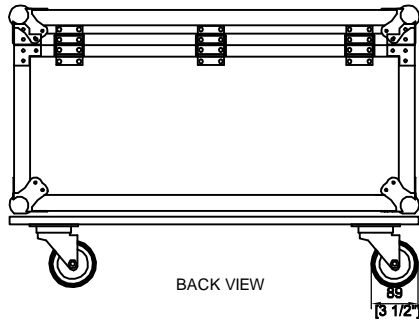
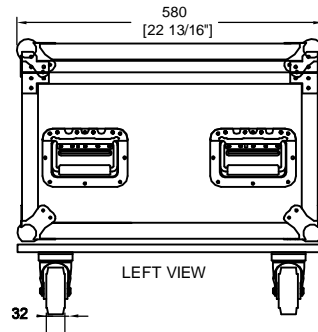
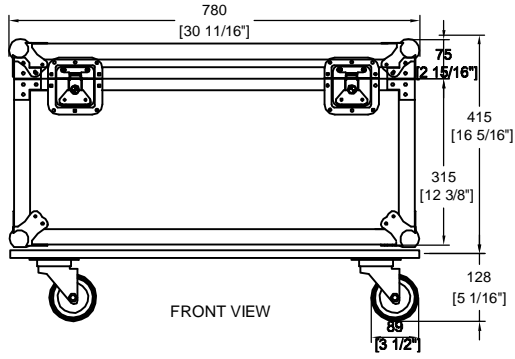


RRE1UTC



Signature of Approval

Printed Name