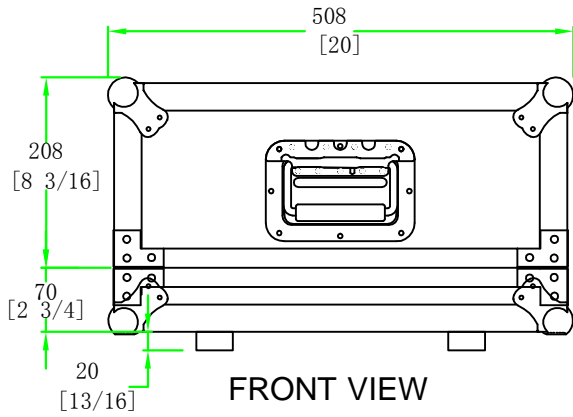
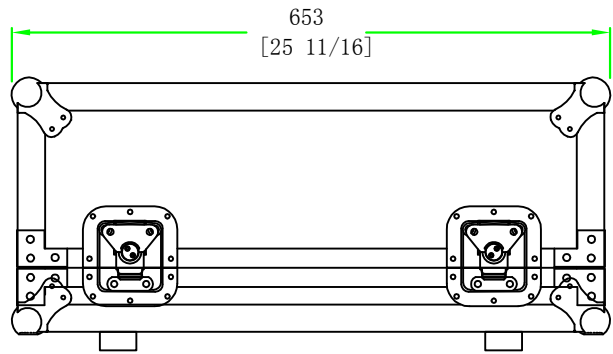


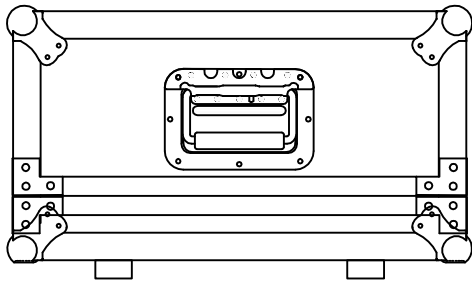
RRQU16



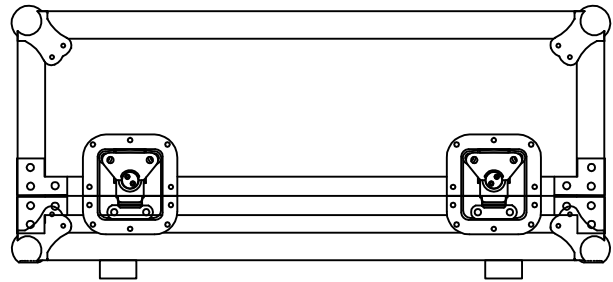
FRONT VIEW



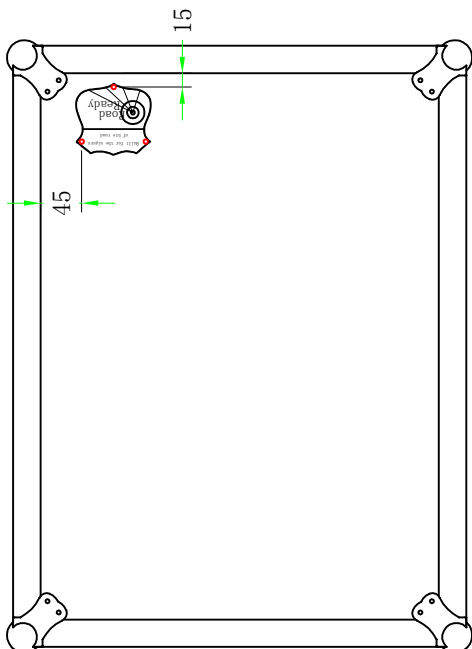
LEFT VIEW



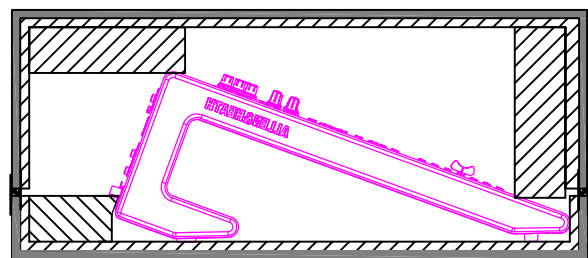
BACK VIEW



RIGHT VIEW



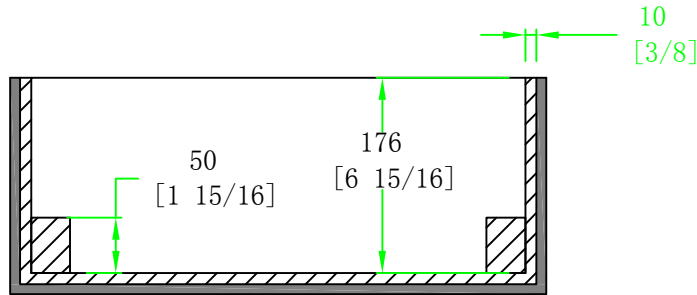
TOP VIEW



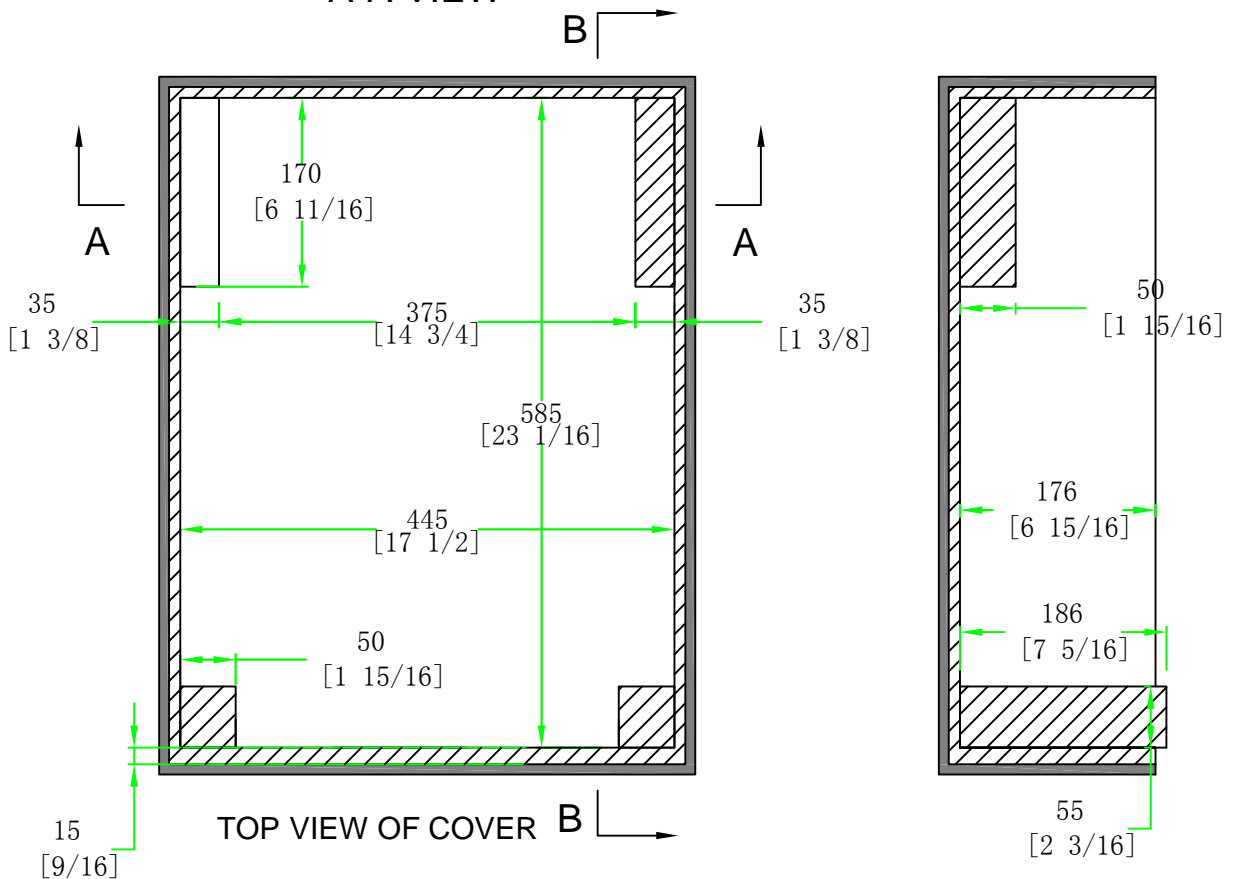
CROSS-SECTION VIEW

	SKU: RRQU16	BY: ROAD READY CASES	
	UPC: NA	DATE: / /	
	APPROVAL SIGNATURE: _____		DATE: / /
DRAWING DATE: 05 / 30 / 2014	SCALE: 1:8	DRAWING NUMBER: 1/3	REVISION: NA

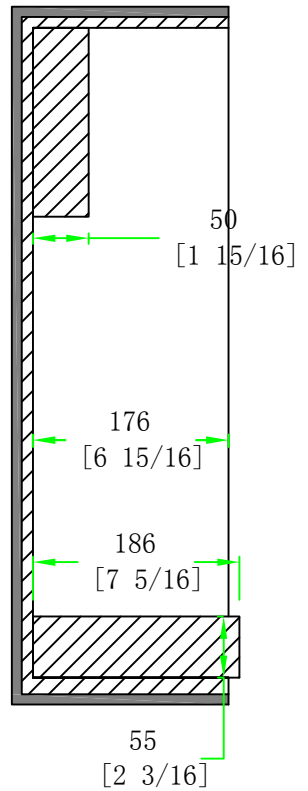
RRQU16




A-A VIEW



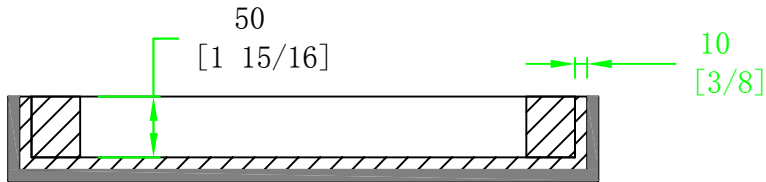
TOP VIEW OF COVER



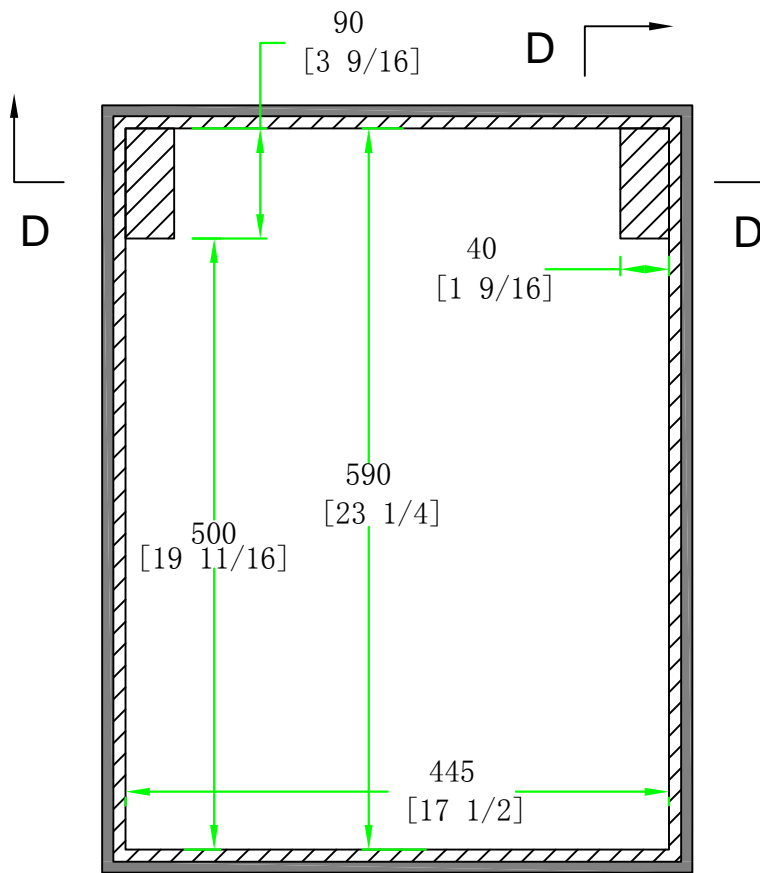
B-B VIEW

	SKU: RRQU16	BY:	ROAD READY CASES
	UPC: NA	APPROVAL SIGNATURE: _____ DATE: _____	
DRAWING DATE:	SCALE:	DRAWING NUMBER:	REVISION:
05 / 30 / 2014	1:6	2/3	NA

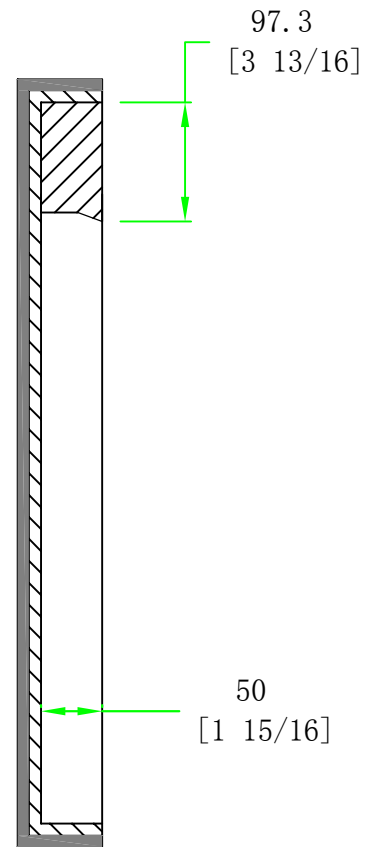
RRQU16




C-C VIEW



TOP VIEW OF BASE



D-D VIEW

	SKU: RRQU16	BY: ROAD READY CASES	
	UPC: NA	APPROVAL SIGNATURE: _____ DATE: _____	
DRAWING DATE: 05 / 30 / 2014	SCALE: 1:6	DRAWING NUMBER: 3/3	REVISION: NA