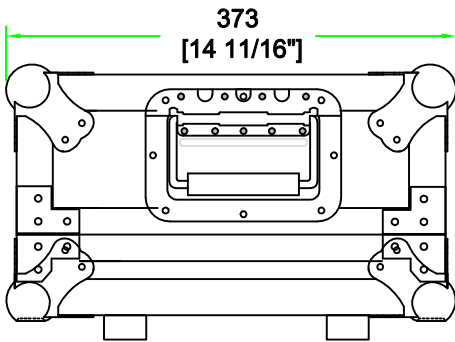
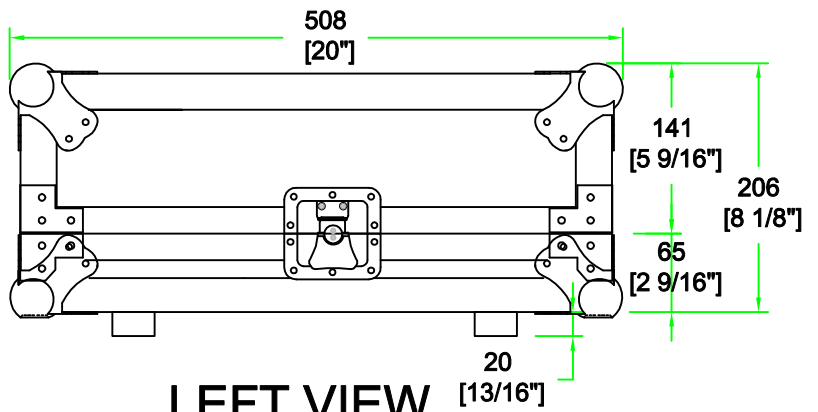


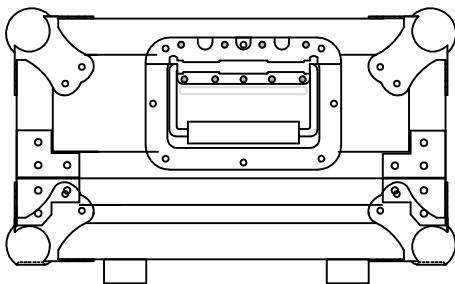
# RRVSS10



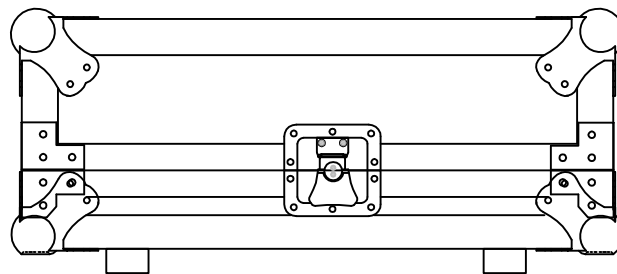
**FRONT VIEW**



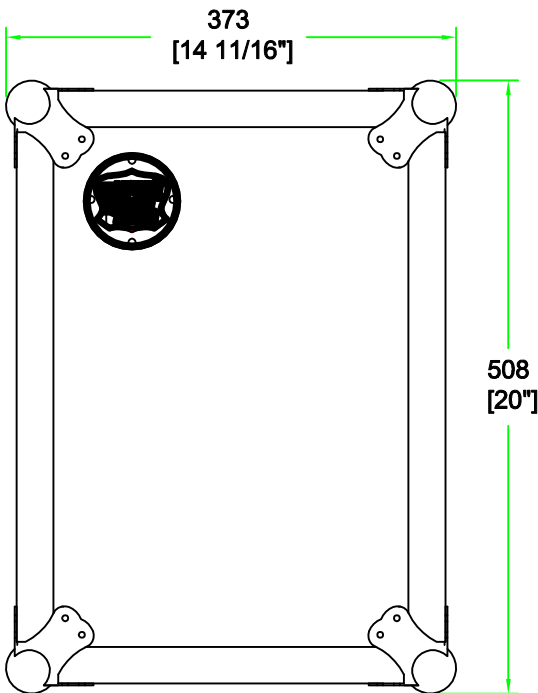
**LEFT VIEW**



**BACK VIEW**




**RIGHT VIEW**

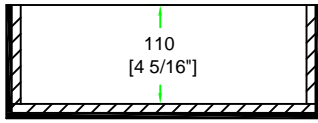


**TOP VIEW**

with 5mm plywood

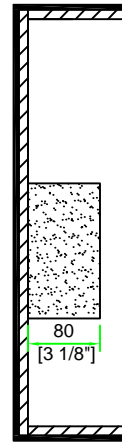
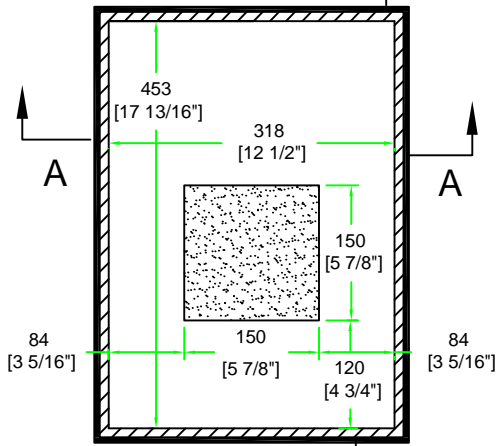
	SKU: RRVSS10	BY:	
	UPC: NA	ROAD READY CASES	
APPROVAL SIGNATURE :		DATE :	
DRAWING DATE :	SCALE :	DRAWING NUMBER :	REVISION :
09 / 23 / 2016	1:6	1/2	NA

# RRVSS10



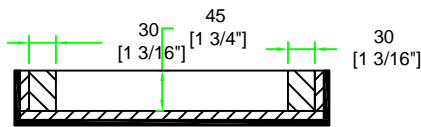
with 10mm eva in cover

A-A VIEW



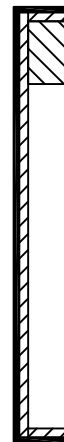
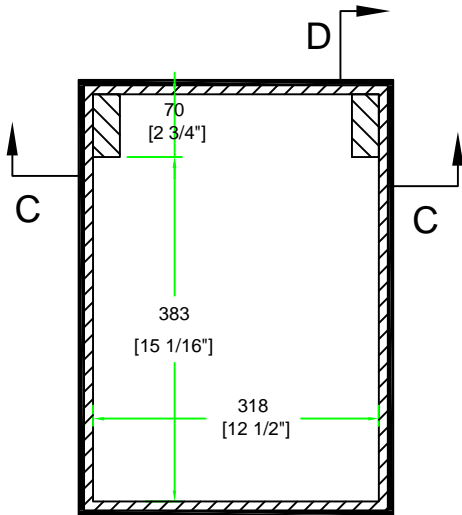
TOP VIEW OF COVER

B-B VIEW




C-C VIEW

with 10mm eva in base



TOP VIEW OF BASE

D-D VIEW

	SKU: RRVSS10	BY:
	UPC: NA	ROAD READY CASES
	APPROVAL SIGNATURE: _____	DATE: _____
DRAWING DATE: 09/23 / 2016	SCALE: 1:8	DRAWING NUMBER: 2/2
		REVISION: NA