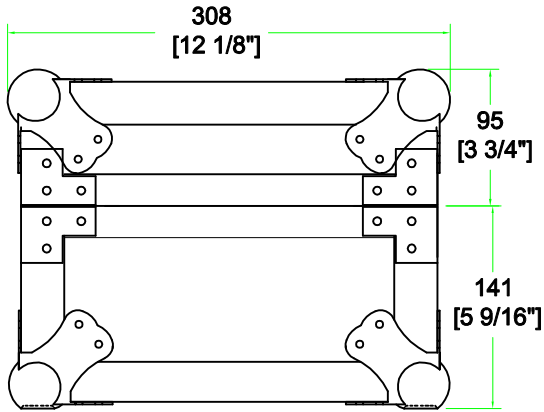
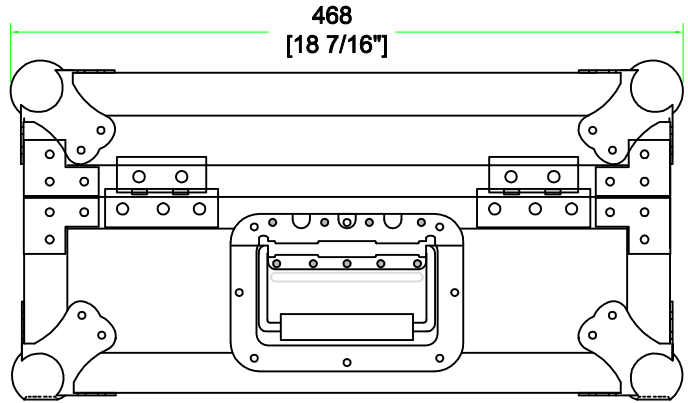


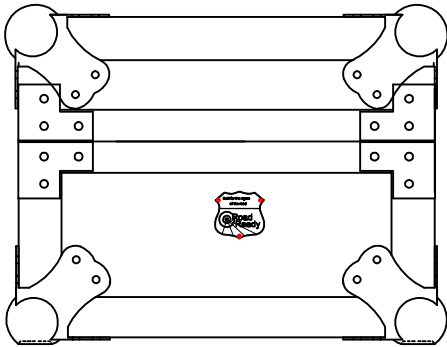
RRXDJ700



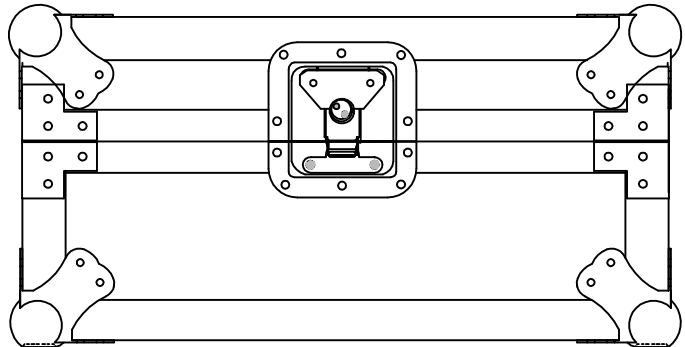
FRONT VIEW



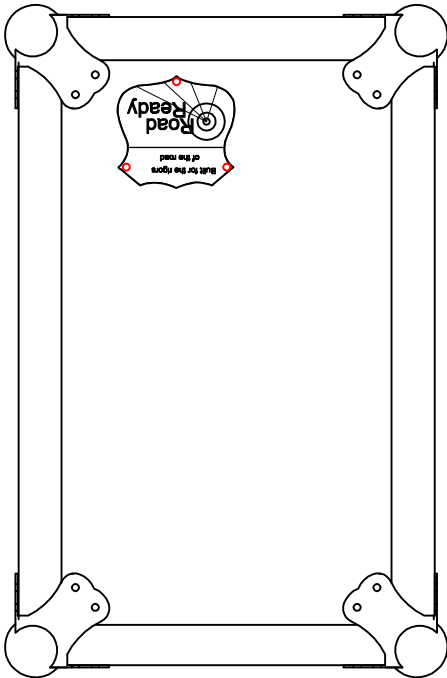
LEFT VIEW



BACK VIEW



RIGHT VIEW



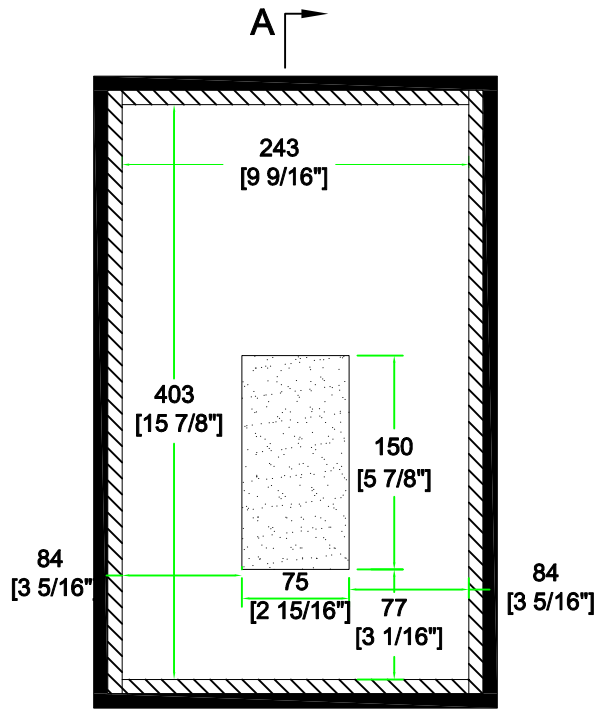
TOP VIEW

lined with 9mm plywood

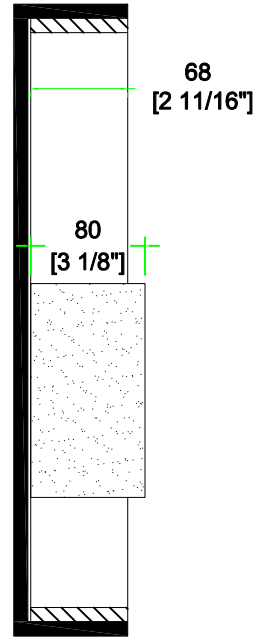


SKU: RRXDJ700	BY: ROAD READY CASES
UPC: NA	
APPROVAL SIGNATURE:	DATE:
DRAWING DATE: 11 / 03 / 2015	SCALE: 1:5
DRAWING NUMBER: 1/2	REVISION: NA

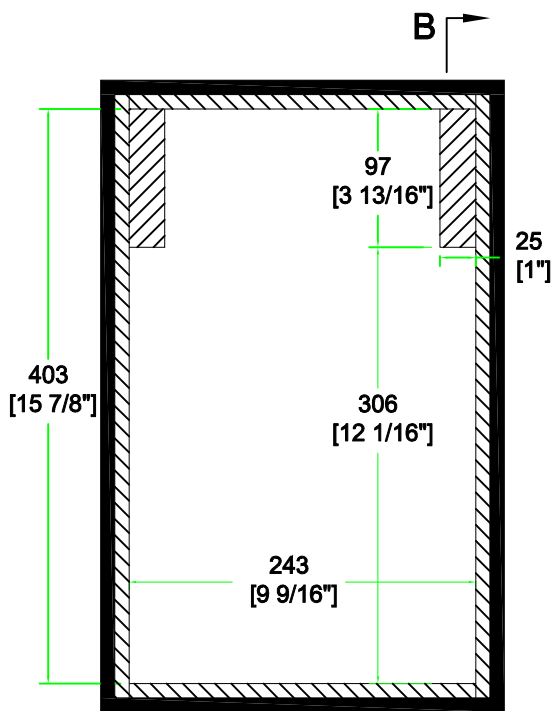
RRXDJ700



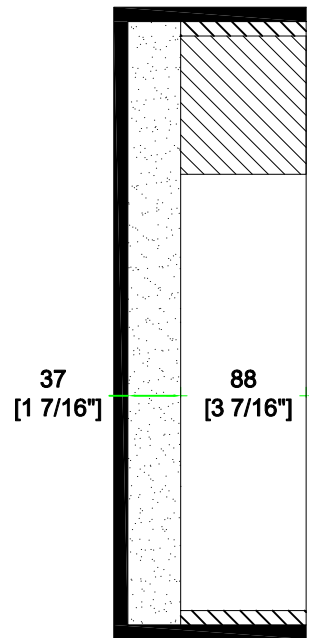
A
TOP VIEW OF COVER




A-A VIEW



B
TOP VIEW OF BASE



B-B VIEW

	SKU: RRXDJ700	BY: ROAD READY CASES
	UPC: NA	
APPROVAL SIGNATURE: _____		DATE: ____/____/____
DRAWING DATE: 11 / 03 / 2015	SCALE: 1:5	DRAWING NUMBER: 2/2
		REVISION: NA