



ADP UHF (470 - 1075 MHz)

Passive directional UHF antenna



Passive directional antenna for use with Evolution Wireless Digital systems.

The ADP UHF passive directional antenna is the perfect addition for enhancing the wireless performance of your Evolution Wireless Digital system. The $\frac{3}{8}$ " and $\frac{5}{8}$ " threads make it easy to mount on any mic stand. The ADP UHF can be connected to the EW-D EM receiver, the EW-D AB antenna booster or EW-D ASA antenna splitter.

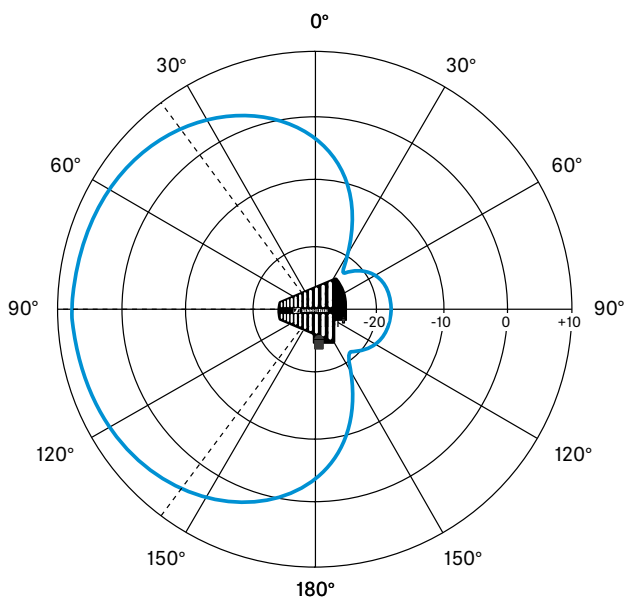
FEATURES

- UHF transmission greatly enhances range, reliability and scalability
- Built-in $\frac{3}{8}$ " and $\frac{5}{8}$ " threads allow for easy mic stand mounting

ARTICLE INFORMATION

ADP UHF (470 - 1075 MHz) Art. no. 508863

POLAR PATTERN



SPECIFICATIONS

Frequency range	470 - 1075 MHz
Apex angle (-3 dB)	approx. 100°
Front-to-back ratio	> 14 dB
Gain	typ. 5 dBi
Impedance	50 Ω
Connection	BNC female, no DC path
Threads for tripod mounting	$\frac{3}{8}$ " and $\frac{5}{8}$ "
Dimensions	319 x 310 mm
Weight	Approx. 1100 g (2.43 lbs)
Operating temperature range	-10 °C - +55 °C (14 °F - 131 °F)
Storage temperature range	-20 °C - +85 °C (-4 °F - 185 °F)
Relative humidity	max. 95 % (non-condensing)

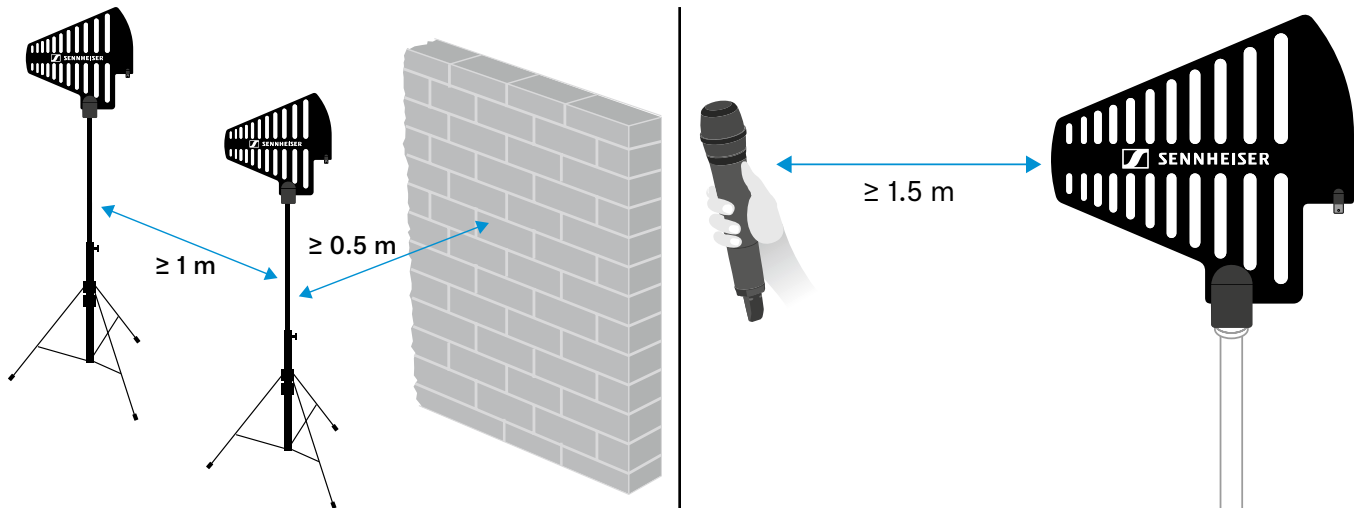
ACCESSORIES

EW-D AB (Q)	Antenna Booster	470 - 550 MHz	Art. no. 508873
EW-D AB (R)	Antenna Booster	520 - 608 MHz	Art. no. 508874
EW-D AB (S)	Antenna Booster	606 - 694 MHz	Art. no. 508875
EW-D AB (U)	Antenna Booster	823 - 865 MHz	Art. no. 508876
EW-D AB (V)	Antenna Booster	902 - 960 MHz	Art. no. 508877
EW-D ASA (Q-R-S)	Active Antenna Splitter	470 - 694 MHz	Art. no. 508879
EW-D ASA (T-U-V-W)	Active Antenna Splitter	694 - 1075 MHz	Art. no. 508880
EW-D ASA CN/ANZ (Q-R-S)	Active Antenna Splitter	470 - 694 MHz	Art. no. 508998



ADP UHF (470 - 1075 MHz) Passive directional UHF antenna

POSITIONING



DIMENSIONS

