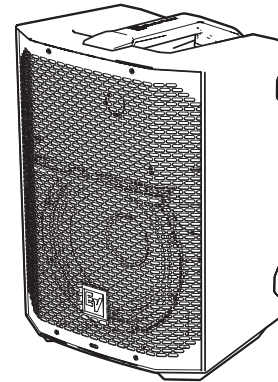


EVERSE8 8" 2-way battery powered speaker



Electro-Voice

- Long run-time rechargeable, removable and replaceable Li-ion battery pack with 6+ hours of constant music playback at maximum output levels, or over 12+ hours at 95 dB SPL average.
- Real professional level output and Electro-Voice sound quality thanks to an 8-inch woofer with SST waveguide and a 1-inch titanium dome tweeter.
- Easy to use with QuickSmart Mobile app and Electro-Voice's Intuitive User Interface.
- High Quality Stereo Bluetooth® streaming with true wireless stereo (TWS) linking between two EVERSE speakers.
- **POWERED BY DYNACORD** with built-in digital 4-channel mixer.



The EVERSE 8 is a versatile, easy to use, compact, battery-powered loudspeaker system. It provides professional level performance and is housed in a robust weatherized enclosure. The EVERSE 8 provides real professional performance for musical performances, voice reinforcement and audio playback. The EVERSE 8 takes advantage of decades of Electro-Voice and Dynacord pro-audio and electronics expertise, along with new advancements in technology, to provide truly portable and truly wireless audio. The EVERSE 8 utilizes a 2-way configuration with an 8-inch woofer. It includes a hi-output, titanium, ferro-fluid cooled tweeter, featuring a high-energy neodymium magnet for maximum output and reduced weight. The tweeter is mounted to an Electro-Voice patented SST constant directivity waveguide design, producing exceptionally high SPL with even 100° x 100° coverage and improved acoustic alignment and bass extension. The rugged polypropylene enclosure features a weatherized input cover for the input section, allowing the loudspeaker to meet IP43 rating (splash and light rain resistant) for use on battery power and Bluetooth® streaming. The available accessory slipcover allows for additional weather resistance and protection when needed, while ensuring wired connections during operations.

The EVERSE 8 features Electro-Voice's QuickSmart DSP and is **POWERED BY DYNACORD**, featuring a built-in 4-channel digital mixer with FX (footswitch controlled),

feedback suppression, and ducking features. The loudspeaker features a custom designed, and fully optimized for audio use, high capacity battery pack. The battery pack provides more than enough power to complete the show, including a 12 V DC accessory port to power RE3 or R300 wireless microphone systems. The EVERSE 8 is available in both white and black.

Parts included

Quantity	Component
1	Speaker
1	Battery pack assembly (installed)
1	User manual

Technical specifications

Frequency response (-3 dB) ¹ :	60 Hz to 20 kHz
Frequency range (-10 dB) ² :	50 Hz to 20 kHz
Max. SPL ³ :	121 dB
Coverage angle (H x V):	100° x 100°
Amplifier rating:	400 W
LF transducer:	8 in. woofer - ferrite magnet
HF transducer:	1 in. titanium dome, neodymium magnet, ferro-fluid cooled
Crossover frequency:	2.5 kHz
Connectors:	2 - XLR/TRS Combo 1 - 3.5mm Stereo 1 - Charge port 1 - TRS footswitch 1 - 12 V DC power output
Enclosure:	Polypropylene
Grille material:	Powder coated steel
USB charging:	1.5 A max., device-dependent
Color:	Black & white

Dimensions (H x W x D):	400 mm x 275 mm x 272 mm 15.75 in. x 10.83 in. x 10.71 in.
Net weight:	7.6 kg 16.8 lb
Shipping weight:	11 kg 24.3 lb
Power consumption ⁴ :	100 - 240 V~, 50 - 60 Hz, 0.8 - 0.6 A
Battery capacity:	86.4 Wh
Battery run time (at max. 6+ hours output) ⁵ :	
Battery run time (at moderate 12+ hours output) ⁶ :	

¹Full space measurement using music DSP preset.

²Half-space measurement.

³Maximum SPL is measured at 1 m using broadband pink noise at maximum output.

⁴Current rating is 1/8 power.

⁵Maximum output before loudspeaker limit indication, with typical program material.

⁶Moderate output is approximately 95 dB SPL, with typical program material.

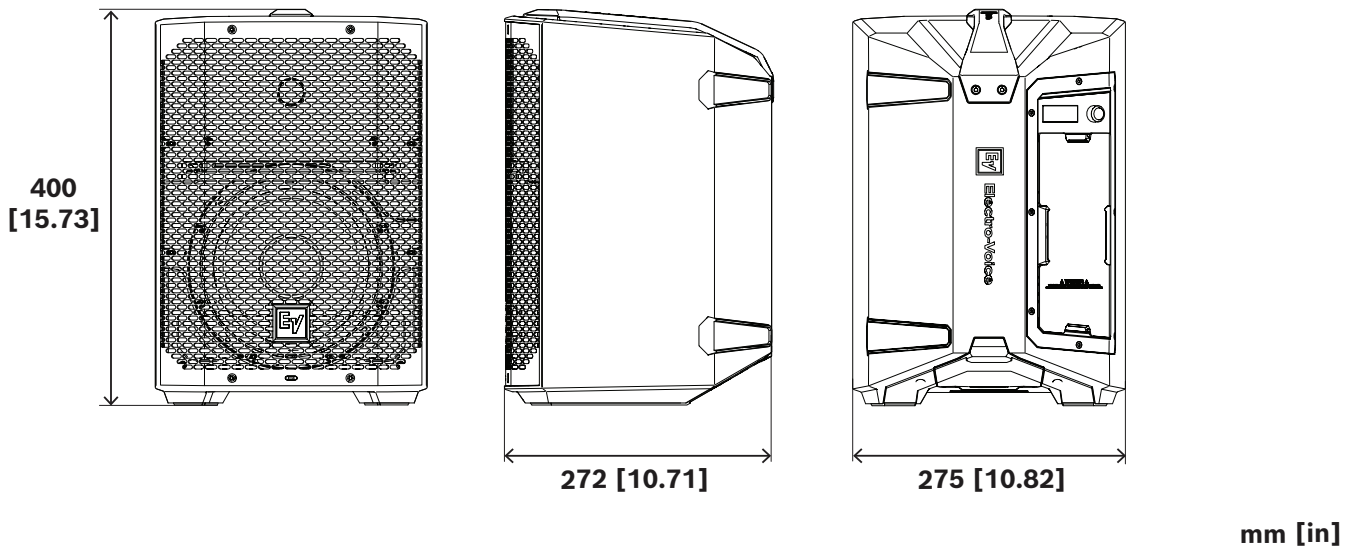


Fig. 1: Dimensions

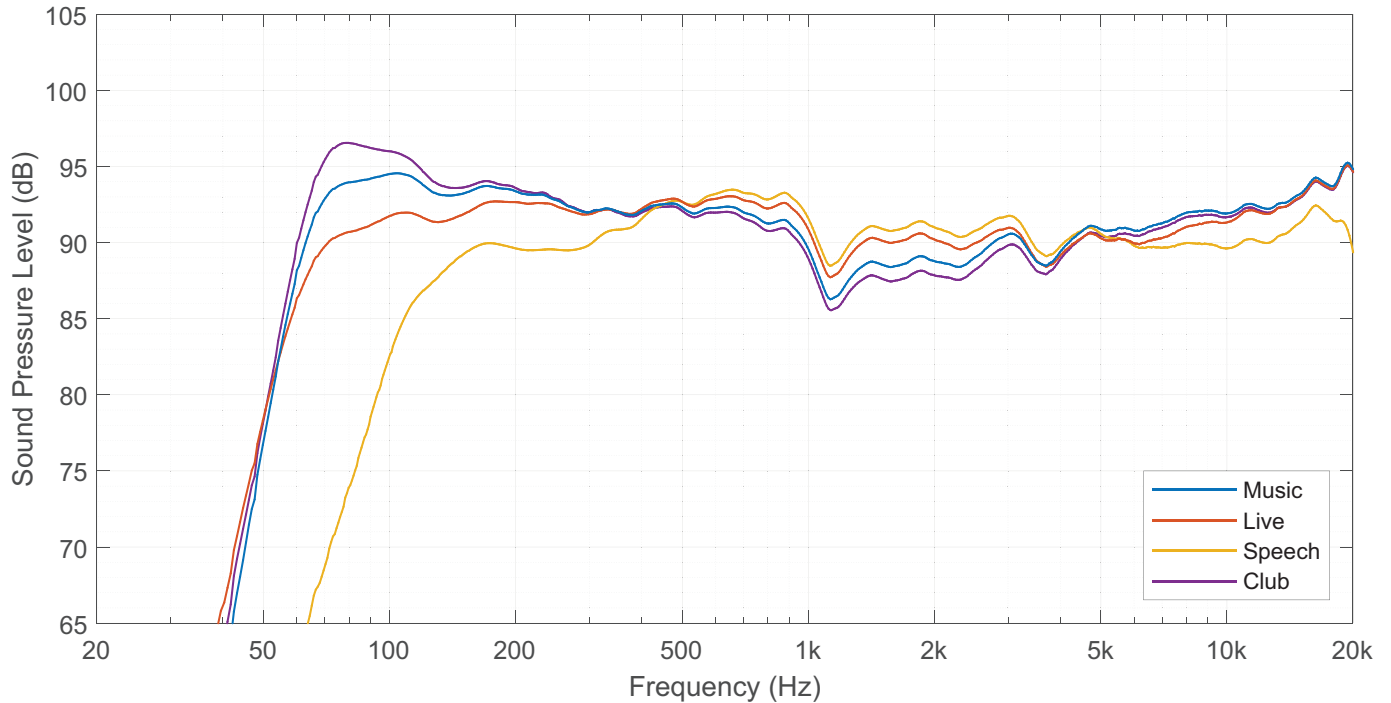


Fig. 2: Frequency response

Ordering information

EVERSE8-US 8" 2-way speaker battery black US

Battery-powered 100° x 100° loudspeaker with built-in mixer, US, black

Order number **EVERSE8-US | F.01U.399.423**

EVERSE8-EU 8" 2-way speaker battery black EU

Battery-powered 100° x 100° loudspeaker with built-in mixer, EU, black

Order number **EVERSE8-EU | F.01U.399.424**

EVERSE8-W 8" 2-way speaker battery white US&EU

Battery-powered 100° x 100° loudspeaker with built-in mixer, EU & US, white

Order number **EVERSE8-W | F.01U.399.427**

Accessories

EVERSE8-TRAY-B Tray for EVERSE 8, 12V DC cable black

Wireless microphone tray

Order number **EVERSE8-TRAY-B | F.01U.399.470**

EVERSE8-TRAY-W Tray for EVERSE 8, 12V DC cable white

Wireless microphone tray

Order number **EVERSE8-TRAY-W | F.01U.399.471**

EVERSE8-RAINCVR Rain resistant cover for EVERSE 8

Padded cover, black

Order number **EVERSE8-RAINCVR | F.01U.399.472**

EVERSE8-TOTE Padded tote bag for EVERSE 8

Accessory carry bag, black

Order number **EVERSE8-TOTE | F.01U.399.473**

Represented by:

Germany:
Bosch Sicherheitssysteme GmbH
Robert-Bosch-Ring 5
85630 Grasbrunn
Germany
www.electrovoice.com

Bosch Security Systems, LLC
12000 Portland Avenue South
Burnsville MN 55337
USA

EVERSE8-BAT-B Battery pack assembly, EVERSE8, black

High-capacity, lithium-ion battery pack, black

Order number **EVERSE8-BAT-B | F.01U.399.474**

EVERSE8-BAT-W Battery pack assembly, EVERSE8, white

High-capacity, lithium-ion battery pack, white

Order number **EVERSE8-BAT-W | F.01U.399.475**