

In-Ceiling Speakers

Specification sheet

SONOS



In-Ceiling Key Features

- 6.5-in and 8-in models
- High power and wide frequency response
- Custom DSP and limiter with Sonos Amp
- Simple to install and connect
- Custom room tuning with Trueplay™
- Blends in with any décor

Product Overview

Sonos Architectural speakers make it easy to bring premium sound to virtually any space. Designed and tuned in collaboration with Sonance, these speakers offer natural, room-filling sound with discreet installation. Maximize your system's potential by powering these speakers with Sonos Amp. Our WiFi-enabled amplifier provides unique benefits like optimized tunings, overdrive protection, and Trueplay™ technology, tailoring the speaker's sound to the unique acoustics of your space. A single Amp can efficiently and effectively power up to three pairs of Sonos passive speakers. When paired with Amp, Sonos Architectural speakers combine the aesthetics of installed solutions with superior fidelity and convenient wireless control.

Whether your inspiration is the cinema or the concert stage, create a clutter-free, multidimensional listening experience with sleek speakers that seamlessly blend with any décor, thanks to low-profile, paintable magnetic grilles with subtle microperforation patterns. Integral Roto-Lock® systems allow for quick mounting directly into ceilings and walls.

Whether in a single room or an entire household, count on Sonos Architectural speakers to deliver a seamless audio experience that redefines the possibilities of home entertainment.

Specifications

	6" In-Ceiling	8" In-Ceiling
SKU	INCLGWW1	INCL8WW1
Low Frequency Driver	6.5 in / 165 mm polypropylene cone, rubber surround, 1.27 in / 32 mm diameter voice coil	8 in / 203 mm polypropylene cone, rubber surround, 1.51 in / 38 mm diameter voice coil
High Frequency Driver	1 in / 25 mm polyurethane dome, ferrofluid-cooled, acoustic back chamber	1.2 in / 30 mm cloth dome, ferrofluid-cooled, acoustic back chamber
Frequency Range (No DSP) ¹	46 Hz-20 kHz ±3 dB 32 Hz-20 kHz -10 dB	41 Hz-20 kHz ±3 dB 23 Hz-20 kHz -10 dB
Frequency Range (With DSP) ¹	36 Hz-20 kHz ±3 dB 29 Hz-20 kHz -10 dB	29 Hz-20 kHz ±3 dB 21 Hz-20 kHz -10 dB
Nominal Impedance	8Ω	8Ω
Power Handling (Program)	130 Watts maximum	225 Watts maximum
Power Handling (Continuous) ²	60 Watts maximum	150 Watts maximum
Sensitivity (2.83 V/1 m) ³	85 dB SPL	86 dB SPL
Rated Maximum SPL ⁴	103 dB @ 1 meter	108 dB @ 1 meter
Nominal Coverage Angle	90° axisymmetric	100° axisymmetric
Directivity Q ⁵	6.2	3.3
Directivity Index ⁵	7.9 dB	5.2 dB
Connector Type	Gold-plated spring terminals	Gold-plated spring terminals
Operating Temperature	-4° F to 140° F (-20° C to 60° C)	-4° F to 140° F (-20° C to 60° C)
Humidity Range	40-60% RH	40-60% RH
Safety and Compliance	RohS, WEEE, CE, Prop65	RohS, WEEE, CE, Prop65
Product Dimensions (Dia. x H)	9.27 x 4.73 in / 235.5 x 120.3 mm	11.16 x 5.32 in / 283.5 x 135 mm
Cutout Dimensions (Dia.)	8.25 in / 209.6 mm	10.125 in / 257 mm
Round Grille Dimensions (Dia.)	9.27 in / 235.5 mm	11.16 in / 283.5 mm
Square Grille Dimensions (W x H)	9.27 x 9.27 in / 235.5 x 235.5 mm	11.17 x 11.17 in / 283.8 x 283.8 mm
Net Weight (Each)	5.0 lb / 2.3 kg	9.0 lb / 4.1 kg
Shipping Weight (Pair)	12.8 lb / 5.8 kg	22.0 lb / 10 kg
Included Accessories	Speaker grilles (pair), cut out template	Speaker grilles (pair), cut out template

Accessories

Round Speaker Grille (Pair)	INCGRWW1	C8RDAWW1
Square Adapter & Speaker Grille (Pair)	INCGAWW1	C8SQAWW1
Round Flex Bracket (5 Pack)	RNDFBWW1BLK	LRDFBWW1BLK
Round Retrofit Enclosure (Pair)	RNDREWW1BLK	LRDREWW1BLK
In-Wall Back Box for Sonos Amp	AMPBBWW1BLK	AMPBBWW1BLK

¹ Measured at 2Pi anechoic infinite baffle, ² Noise filtered to meet IEC60268-5, 6 dB crest factor (RMS), ³ Measured on axis, in a 2Pi environment infinite baffle, half-space average 100 Hz to 10 kHz, ⁴ Max SPL exclusive of power compression and calculated from sensitivity and power handling, ⁵ Half-space (in ceiling) average 1 kHz to 16 kHz

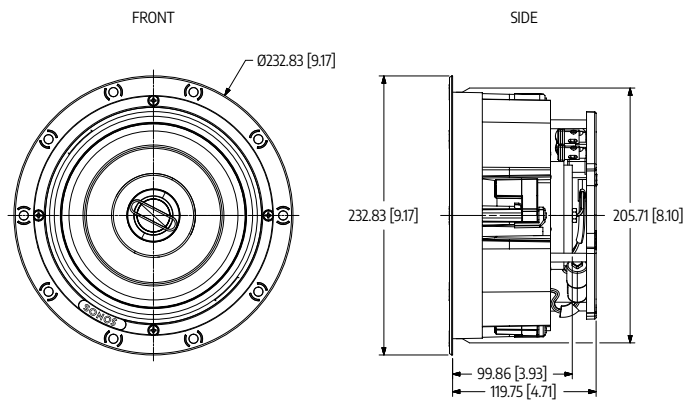
Architect and Engineer Specifications

The loudspeaker shall be of in-ceiling design, consisting of a 6.5 in / 165 mm or a 8 in / 203 mm low frequency, polypropylene cone driver with rubber surround, as well as a 1 in / 25 mm polyurethane dome or 1.2 in / 30 mm cloth high frequency driver that is Ferrofluid-cooled. The low frequency driver and high frequency driver shall be mounted coaxially.

The loudspeaker shall be capable of meeting the following performance criteria: The measured midband sensitivity shall be 85 dB SPL for the 6" model and 86 dB SPL for the 8" model (at 2.83 V, 1 m, in half-space); The maximum SPL shall be 103 dB SPL for the 6" and 108 dB SPL for the 8" (at 1 m); The frequency range with Sonos DSP shall be 36 Hz-20 kHz for the 6" and 29 Hz-20 kHz for the 8" (± 3 dB rated sensitivity, in half-space); The nominal coverage angle shall be 90° axisymmetric for the 6" and 110° axisymmetric for the 8". The loudspeaker shall be provided with an overload protection circuit to protect network and transducers. Nominal impedance shall be 8 ohms.

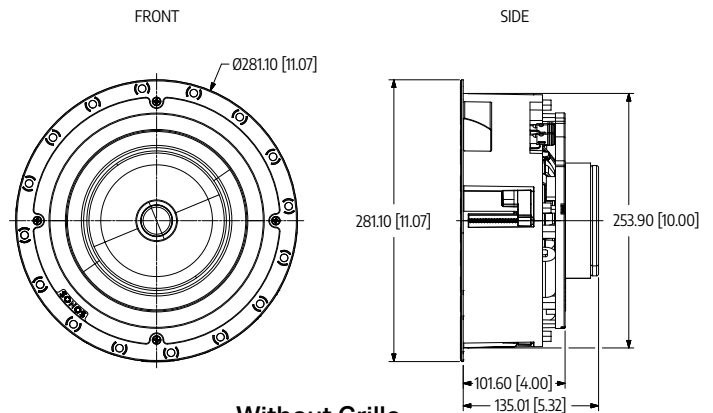
Terminal connections shall be made with frame attached, gold-plated spring-loaded binding posts. The grilles shall be paintable, magnetic steel with holes that are 1.0 mm in diameter and spaced 1.50 mm apart center to center. For a 6" speaker, overall front face diameter shall not exceed 9.27 in / 235.5 mm, overall depth from the bottom of the ceiling shall not exceed 4.73 in / 120.3 mm, and shall weigh no more than 5.0 lb / 2.3 kg. For an 8" speaker, overall front face diameter shall not exceed 11.16 in / 283.5 mm, overall depth from the bottom of the ceiling shall not exceed 5.32 in / 135.0 mm, and shall weigh no more than 9.0 lb / 4.1 kg. When connected to a power amplifier, the user must have the ability to enable Speaker Detection and Trueplay™ via mobile application for the loudspeaker. The loudspeaker shall be the Sonos 6" In-Ceiling Speaker or Sonos 8" In-Ceiling Speaker.

6" In-Ceiling

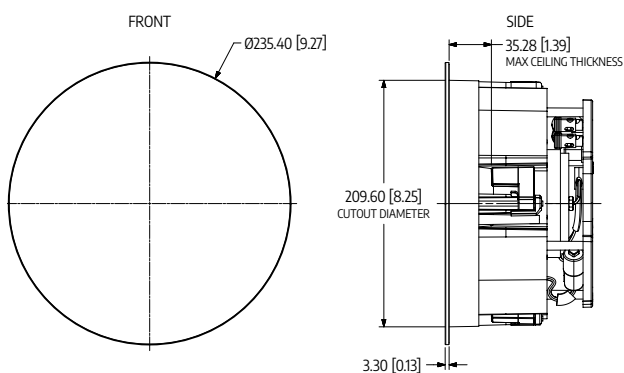


Without Grille

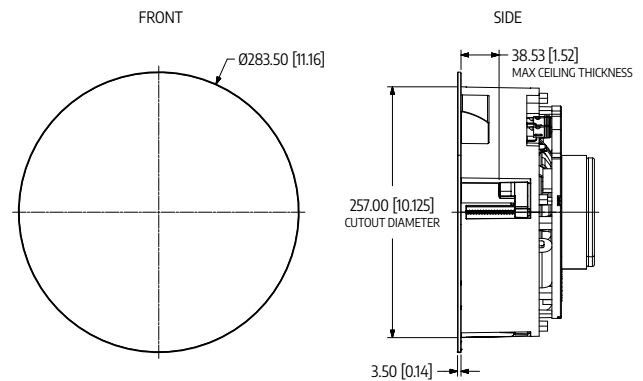
8" In-Ceiling



Without Grille



With Grille



With Grille

SONOS