



REDY-630SET

Wall-Mount 2-Way Active+Passive Speaker Set
Set di Diffusori a 2-Vie Attivo+Passivo per Montaggio a Muro

en-ita

User Manual
Manuale d'uso

HELIN

Please read this manual carefully and keep it for future reference
Leggete questo manuale e conservatelo per future consultazioni



Dear value Customer,

First, thank you for purchasing a HELVIA® product. Our mission is to offer solutions based on the most up-to-date technologies for all systems integration needs in the private, commercial and corporate sectors.

We hope you are satisfied with this product and, if you wish to participate, we would be very pleased to receive your feedback on the operation of this product and possible improvements for the future. You can go to "CONTACT" section of www.frenexport.com and send an e-mail with your opinion; this would help us make equipment that are closer to the real needs of our customers.

Finally, please read this user manual carefully before using the product; incorrect use could cause damages to you and the product. Take care!

The HELVIA team

Gentile Cliente,

Prima di tutto, grazie per aver acquistato un prodotto HELVIA®. La nostra missione è di offrire soluzioni basate sulle tecnologie più aggiornate a tutte le esigenze di integrazione di sistemi nei settori privati, commerciali e corporate.

Speriamo che siate soddisfatti da questo prodotto e, qualora vogliate partecipare, saremmo molto lieti di poter ricevere il vostro feedback sul funzionamento del prodotto e su possibili miglioramenti da apportare in futuro. Potete andare sulla sezione CONTATTACI del sito www.frenexport.com e inviare una e-mail con la vostra opinione; questo ci aiuterebbe a realizzare apparecchiature sempre più vicine alle reali esigenze dei Clienti.

Vi preghiamo, infine, di leggere attentamente questo manuale di istruzioni prima di utilizzare il prodotto; un uso incorretto potrebbe causare danni a voi e al prodotto stesso: pensateci!

Il team HELVIA

TABLE OF CONTENTS

1. IMPORTANT SAFETY INSTRUCTIONS	4
2. UNPACKING	4
3. PRODUCT OVERVIEW	5
3.1. Features:	5
4. PRODUCT APPEARANCE	6
4.1. Front Panel.....	6
4.2. Rear Panel	6
5. INSTALLATION	9
5.1. Speaker Installation.....	10
5.2. Speaker Connection.....	10
5.3. BT Mode Pairing.....	11
5.4. Remote Control.....	12
6. TECHNICAL PARAMETERS	13
6.1. Specifications	13
7. WARRANTY AND SERVICE	14
8. WARNING	15

1. IMPORTANT SAFETY INSTRUCTIONS

- Read these instructions
- Keep these instructions
- Heed all warning
- Follow all instructions

Water and Moisture

The apparatus should be protected from moisture and rain and can not be used near water; for example near a bathtub, a kitchen sink, a swimming pool, etc.

Heat

The apparatus should be located away from heat sources such as radiators, stoves or other appliances that produce heat.

Object and Liquid Entry

Objects should not fall and liquids should not be spilled into the inside of the apparatus for safety.

Cleaning

Clean only with a dry cloth. Do not use any solvents such as benzene or alcohol as they may damage the surface.

Servicing

Do not implement any servicing other than those means described in the manual. Refer all servicing to qualified service personnel only. Only use accessories/attachments or parts recommended by the manufacturer.

2. UNPACKING

Thank you for purchasing your REDY-630SET Active+Passive speaker set. All units have been rigorously tested before leaving the factory. Carefully unpack the carton and check the contents to ensure that all parts are present and in good conditions:

- 1x Active Speaker
- 1x Passive Speaker
- 1x 1,7m (5.6 ft) Power Cable
- 1x Remote Control
- This User manual

If anything is damaged during transport, notify the shipper immediately and keep packing material for inspection. Again, please save its carton and all packing

materials. If the unit must be returned to the manufacturer, it is important that the unit is returned in the original manufacturer's packing. Please do not take any action without first contacting us. Our products are subject to a continuous process of further development. Therefore modifications to the technical features remain subject to change without further notice.

3. PRODUCT OVERVIEW

The REDY-630SET is the answer to all those small audio amplification needs (small shops, multimedia educational contexts, etc.) where practicality, ease of installation, multi-functionality and compactness need to coexist in perfect harmony.

The system consists of a pair of 2-way ported speakers with 6.5" woofer and 0.5" tweeter. One of the speakers is active and features a 30+30W RMS (100+100W Peak Power) Class-D amplifier and a media player with USB input, Line Stereo input and BT streaming. The other speaker is passive and is connected to the first speaker to create a perfect stereophonic sound system.

The Line Stereo input is equipped with RCA, 1/8" mini jack and Phoenix connectors, allowing connection to a wide range of portable (CD, DVD, Tuner, etc.), multimedia (mobile phones, tablets, etc.) and fixed sources. The system is also equipped with a stereo Link Out and a mono subwoofer output. This allows the REDY-630SET to be expanded to include additional speakers or sound systems.

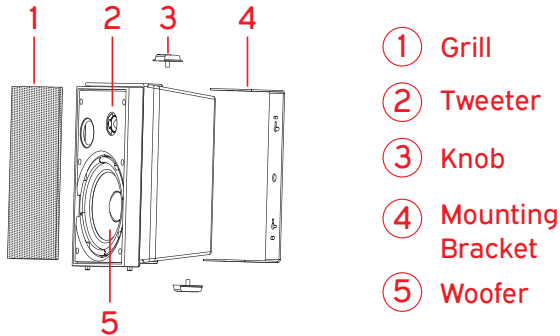
BT streaming and remote control also allow wireless operation. Use your own BT devices and access your own playlists. The TWS (True Wireless Stereo) function is also available and lets the user connect to a second REDY-630SET and use the additional active speaker as Right channel or simply as wireless audio link.

3.1. Features:

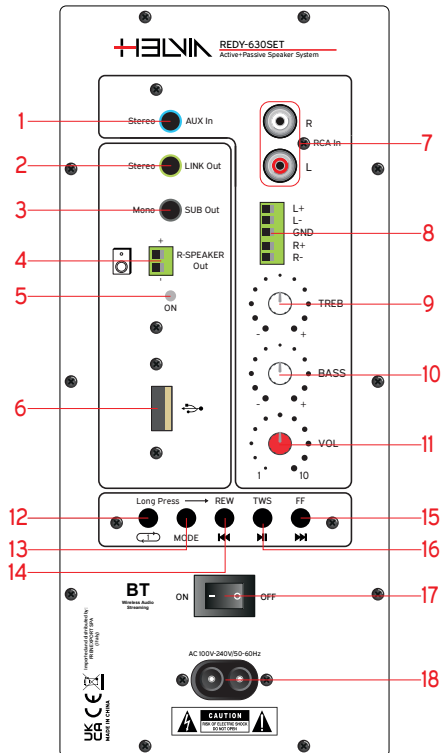
- 2x30W RMS (2x100W Peak Power) Class-D Power Amplifier
- 2-Way Ported Speaker with 6.5" Woofer and 0.5" Tweeter
- C-shaped Brackets with Adjustable Horizontal Angle
- BT/USB/Line-in Player with Remote Control
- Stereo Line input with RCA, Mini-jack and Phoenix connections
- 2-Band EQ, Link Out and Sub Out
- True Wireless Stereo (TWS) function

4. PRODUCT APPEARANCE

4.1. Front Panel



4.2. Rear Panel



1. 3.5mm Stereo Aux input	7. RCA Stereo/Mono input	13. Mode button
2. Stereo LINK output	8. Line In balanced input	14. Skip Backwards/Rewind button
3. Mono SUB output	9. Treble control knob	15. Skip Forward/Fast-Forward button
4. R-SPEAKER output	10. Bass control knob	16. Play/Pause / TWS pairing button
5. LED indicator	11. Volume control knob	17. Power switch
6. USB Drive input	12. Loop button	18. Power supply input

1. 3.5mm Stereo Aux Input

3.5mm stereo TRS input for external audio sources such as CD/MP3 player, laptops, smartphones or tablets.

2. Stereo LINK Output

3.5mm stereo LINK output for connection to another active speaker or amplifier.

3. Mono SUB Output

3.5mm mono SUB output for connection to a subwoofer.

4. R-SPEAKER Output (Euroblock)

2-pin Euroblock speaker output for connection to the passive speaker. Please refer to section "5.2. Speaker Connection" at page 10 for information on how to connect speakers.

5. LED Indicator

This LED lights up in blue when the active speaker is turned on.

6. USB Drive Input

Supports up to 32GB USB flash drives formatted in FAT 32 file system. Supports audio formats such as FLAC, WMA, WAV and high quality MP3 (up to 320 kbps).



Note: Audio from the USB drive starts playing as soon as the drive is inserted and will have priority over any other audio source.

7. RCA Stereo/Mono Input

RCA stereo or mono unbalanced input for external Line level sources such as smartphones or laptops. Press the MODE button, ("13. Mode Button" at page 8), to select this input.

8. Line In Balanced Input (Euroblock)

Euroblock Line input for balanced connections. Please pay attention to the polarity of the wires (+=Hot, -=Cold, G=ground).

9. Treble Control Knob

This knob increases or decreases the high frequency response. The 0 position (middle) produces a flat response. Control range goes from -12 dB to +12 dB.

10. Bass Control Knob

This knob increases or decreases the low frequency response. The 0 position (middle) produces a flat response. Control range goes from -12 dB to +12 dB.

11. Volume Control Knob

This knob adjusts the output volume level.

12. Loop Button

This button is not used in this version.

13. Mode Button

Short press to switch between different audio sources connected to the active speaker.

When switching to BT Mode, there will be a quick, short sound at first, then a longer ascending sound after about 10 seconds, indicating that your device is now paired with the speaker. Now press Play/Pause "▶||" on the active speaker (or on your device) to start playback.



Note: this process is done anytime you switch to BT mode from another source. Please refer to section "5.3. BT Mode Pairing" at page 11 for more information on connecting your device via BT for the first time.



Note: If you are unable to hear any audio when switching from one source to another, make sure the audio from the selected source is not paused.

14. Skip Backwards/Rewind Button

In BT and USB mode, press once to play previous track. Press and hold to rewind. This button does not work in AUX and RCA mode, please use the controls on your device for these functions.

15. Skip Forward /Fast-Forward Button

In BT and USB mode, press once to play next track. Press and hold to fast-forward. This button does not work in AUX and RCA mode, please use the controls on your device for these functions.

16. Play/Pause / TWS Pairing Button

Short press to start/pause audio playback in BT and USB mode.

In AUX and RCA mode, this button only mutes audio but does not pause it. Use the play/pause function on your connected device to pause and resume playback.

If you want to use the TWS (True Wireless Connection), make sure two active speakers are turned on and in BT Mode, then press and hold the TWS button for 3 seconds on any one of the speakers. Two active units will now be connected automatically.

17. Power Switch

Use this switch to turn the speaker on or off.

18. Power Supply Input

Connector for mains power.

5. INSTALLATION

Read these instructions carefully before installing and using the product.

1. Prior to installing the speaker into any wall, check the structure for weight bearing ability and avoid contact with any wiring or plumbing that might be behind the surface area. Installing on soft materials or in areas incapable of supporting the speaker's weight may cause personal injury or damage to the speaker.
2. Make sure the speaker is properly secured to the wall. Please use the proper screws, bolts, or anchors. Failure to do so may cause the speaker to become unsecured and cause potential damage/injuries.
3. When installing the speakers outside, choose areas such as the underside of eaves to avoid strong direct sunlight that may affect the color and life of the speaker enclosure.
4. Use only approved and certified wiring in your installation. Do not stretch or place the wire in contact with sharp objects.
5. Before removing the cables, make sure the amplifier and other components are switched off.

6. Damage to the woofer and tweeter may occur if the speaker is dropped or hit, resulting in distorted sound or no sound at all.
7. Never overdrive your speaker to the point of distortion and always reduce volume prior to switching input sources.

5.1. Speaker Installation

The hardware equipment listed below is needed to install the speaker:

Wire Strippers



Screwdriver



Tape Measure



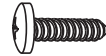
Stud Finder (for wood stud wall)





Ladder



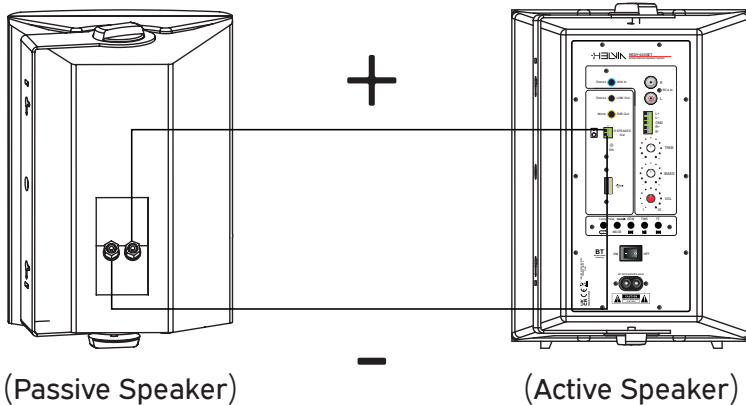
Screws x4



 The installer is responsible for the installation. Please make sure to install speakers according to local safety regulations.


 When handling these speakers, be careful not to touch the speaker net, otherwise there is a risk of deforming it.

5.2. Speaker Connection



- Make sure that the active speaker is unplugged from the mains before making any connection.


- Connect active and passive speaker as shown above, please make sure that there polarity is not inverted (+ connected to -). If the polarity of the speakers is reversed, the sound will be unnatural and will play without bass.


 **Note: Anytime you note distortion, reduce the volume to a lower level. Never allow the amplifier to be driven into “clipping”, otherwise the speakers may be damaged. Damage caused by operating the speakers at distorted volume levels is not covered by the warranty.**


5.3. BT Mode Pairing

BT Mode allows connection of a smartphone, PC or tablet to the active speaker for playback of stored files or streamed digital audio. In order to enable this function make sure that the speaker is turned on and proceed as follows:

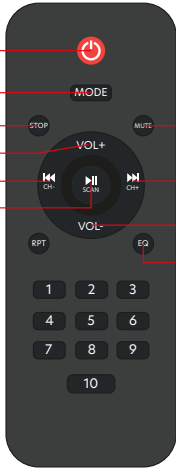
1. Press the MODE button, “13. Mode Button” at page 8, to enter BT mode. A quick, ascending sound is played, indicating that the speaker is in BT mode and ready for pairing.
2. Open the Settings menu on your external device and enable BT connection.
3. Search for “REDY-630” on the list of devices and click to pair with the speaker.
4. The speaker will emit a longer and sharper ascending sound, indicating that your device is now paired.
5. To unpair the speaker, open the BT menu on your device, select “REDY-630” from the list, and choose “unpair”. The speaker will emit a different sound indicating that your device is now unpaired.
6. Repeat the above process if you want to pair your device again or if pairing fails. If you are unable to reconnect a previously connected device, remove the “REDY-630” from the list of paired devices and follow the above instructions from the start.

 **Note: BT input has the priority over the RCA input when both BT and RCA are connected simultaneously. To listen to audio from the RCA input make sure all BT devices are disconnected, or select it via the MODE button .**

 **Note: One device can be connected via BT to one speaker only. If you want to pair a different device to the same speaker, disconnect the one previously paired first.**

 **Note: BT connection will be lost if the distance between the speaker and the paired device is longer than 10m (32.8 ft.).**

5.4. Remote Control

		<p>On/Off Button: Press this button to put the speakers in stand-by. Audio is muted but speakers are still powered. Press again to resume playback.</p> <p>1. In RCA and AUX mode, audio is muted but playback continues on your connected device.</p> <p>In BT and USB mode, playback is paused and then resumed from the same point. When resuming in BT mode, the device will be paired again as described in point "13. Mode Button" at page 8.</p>
<p>Note: Numbers and RPT button are not used.</p>	<p>2.</p>	<p>Mode Button: Same functions as point "13. Mode Button" at page 8.</p>
	<p>3.</p>	<p>Stop Button: Press this button to stop playback. Press the Play/Pause button to resume the audio from the start.</p> <p>This button works only in USB mode.</p>
	<p>4.</p>	<p>Volume Up Button: Press repeatedly to increase volume in steps, or keep pressed to increase it continuously.</p>
	<p>5.</p>	<p>Skip Backward/Rewind Button: in BT and USB mode, press once to skip to previous track or press and hold to rewind.</p> <p>This button does not work in AUX and RCA mode.</p>
	<p>6.</p>	<p>Play/Pause Button: in BT and USB mode, press once to play/pause playback. In AUX and RCA mode, audio is muted but playback is not paused.</p>
	<p>7.</p>	<p>Mute Button: Press to mute/unmute audio. Playback is not paused.</p>
	<p>8.</p>	<p>Skip Forward/Fast-Forward Button: in BT and USB mode, press once to skip to next track or press and hold to fast-forward.</p> <p>This button does not work in AUX and RCA mode.</p>

	9.	Volume Down Button: Press repeatedly to decrease volume in steps, or keep pressed to decrease it continuously.
	10.	EQ Button: Press to choose between equalization presets.

6. TECHNICAL PARAMETERS

6.1. Specifications

Model	REDY-630SET	
Speaker Type	2-Way Active Speaker	2-Way Passive Speaker
Frequency Response	70 Hz - 20 kHz @ -10 dB	70 Hz - 20 kHz @ -10 dB
Max SPL	104 dB@ 25W	104 dB@ 25W
Sensitivity	90 dB	90 dB
HF Type	Mylar Dome Tweeter	Mylar Dome Tweeter
Voice coil Diameter	0.5"	0.5"
Directivity (HxV)	100° x 100°	100° x 100°
Crossover Frequency	7.0 kHz	7.0 kHz
Woofers Diameter	6.5"	6.5"
Cone Material	Paper Cone rubber edge	Paper Cone rubber edge
Voice coil Diameter	1.0 inches	1.0 inches
Impedance	8 ohm	8 ohm
Amp Class	Class-D	
RMS Power	30 W	30 W
Peak Power	100 W	100 W
Inputs	1/8" Stereo Jack, Stereo RCA, 5-pin Phoenix	Binding Post (Red/Black)
Outputs	1/8" Stereo Jack (Link Out), 1/8" Mono Jack (Sub Out), 2-pin Phoenix (Right Speaker Out)	
Line/Aux/RCA controls	Volume	
EQ Treble	Cut-off freq: 20kHz	
	Gain: +/- 12dB	
EQ Bass	Cut-off freq: 20kHz	
	Gain: +/- 12dB	
LED	Power On (Blue)	
Multimedia Player controls	Mode, Song +/-, Rew, FF, Play/Pause, TWS	
Power Requirement	100-240 Vac - 50-60Hz	
Power Consumption	100W	
Fuse	T2A-250V	
Housing Material	Polypropylene	Polypropylene

Grille Material and Thickness	0.6 mm, Steel	0.6 mm, Steel
Wall-mount	C-Bracket with horizontal adjustment	C-Bracket with horizontal adjustment
Product Size (WxDxH)	215 x 197 x 298 mm (13.2 x 14.8 x 11.7 in)	215 x 197 x 298 mm (13.2 x 14.8 x 11.7 in)
Speaker Weight	3.8 kg (8.4 lbs.)	3.8 kg (8.4 lbs.)
Packing Size - Pair (WxDxH)	483 x 288 x 345 mm (19.0 x 11.3 x 13.6 in)	483 x 288 x 345 mm (19.0 x 11.3 x 13.6 in)
Packing Weight	7.7 kg (17.0 lbs.)	7.7 kg (17.0 lbs.)

Our products are subject to change. Modifications to technical features remain subject to change without notice.

7. WARRANTY AND SERVICE

All HELVIA® products are covered by warranty according to European regulations (2 years in the case of purchase by private person - B2C; 1 year in the case of purchase by company - B2B). The warranty is valid from the date of purchase by the end user (private individual or company), indicated in the purchase document (receipt in the case of private person; invoice in the case of company). The following cases / components are not covered by the above warranty:

- All accessories supplied with the product;
- Improper use;
- Failure due to wear and tear;
- Any unauthorized modification of the product by the user or third parties.

HELVIA must meet the warranty obligations due to any non-compliant materials or manufacturing defects, by remedying free of charge at HELVIA's discretion by either repairing or replacing specific parts or the entire equipment. Any defective parts removed by a product in the event of a warranty claim become property of HELVIA.

During the warranty period, defective products can be returned to HELVIA retailer or installer with proof of original purchase (receipt or invoice). To avoid damage during transport, please use the original packaging, if available. For more information, visit the website:

www.frenexport.com.

8. WARNING

READ CAREFULLY - only for EU and EEA (Norway, Iceland and Liechtenstein).



This symbol indicates that the product must not be disposed of with household waste, according to the WEEE directive (2202/96/EC and subsequent amendments) and national legislation.

The product must be delivered to a designated waste collection center (e.g. on an authorized one-for-one basis when you buy a new similar product, or to an authorized collection site for recycling waste electrical and electronic equipment).

Improper handling of this type of waste can have a negative impact on the environment and human health due to potentially dangerous substances that are generally associated with electrical and electronic equipment. At the same time, your cooperation in the proper disposal of this product will contribute to the effective use of natural resources.

For more information about where you can drop off your waste equipment for recycling, please contact your local city office, waste authority, approved WEEE scheme or your household waste disposal service.

SOMMARIO

1. IMPORTANTI ISTRUZIONI DI SICUREZZA.....	18
2. CONTENUTO	18
3. DESCRIZIONE DEL PRODOTTO.....	19
3.1. Caratteristiche:.....	20
4. ASPETTO DEL PRODOTTO	20
4.1. Pannello Frontale.....	20
4.2. Pannello Posteriore	21
5. INSTALLAZIONE	24
5.1. Installazione del Diffusore.....	25
5.2. Connessione Diffusori	25
5.3. Modalità BT.....	26
5.4. Telecomando.....	27
6. PARAMETRI TECNICI	28
6.1. Specifiche Tecniche	28
7. GARANZIA E ASSISTENZA	29
8. AVVISO	30

1. IMPORTANTI ISTRUZIONI DI SICUREZZA

- Leggete queste istruzioni
- Conservate queste istruzioni
- Rispettate tutte le avvertenze
- Seguite tutte le istruzioni

Acqua / Umidità

L'apparecchio deve essere protetto dall'umidità e dalla pioggia, non può essere usato in prossimità di acqua; ad esempio nei pressi di una vasca da bagno, di un lavandino, di una piscina, etc.

Calore

L'apparecchio deve essere posto lontano da fonti di calore come radiatori, stufe o altri apparecchi che producono calore.

Introduzione di Oggetti e Liquidi

Non introdurre oggetti o versare liquidi all'interno dell'apparato per ragioni di sicurezza.

Pulizia

Pulite solo con un panno asciutto. Non utilizzate solventi come benzolo o alcol.

Manutenzione

Non effettuate qualsiasi altro intervento al di fuori di quelli descritti nel manuale. Per eventuale assistenza rivolgetevi solo a personale qualificato. Utilizzate solo accessori / componenti suggeriti dal produttore.

2. CONTENUTO

Grazie per aver acquistato il set di diffusori attivo+passivo REDY-630SET. Tutte le unità sono state rigorosamente testate prima di lasciare la fabbrica. Disimballare con cura la confezione e controllare il contenuto per assicurarsi che tutte le parti siano presenti e in buone condizioni:

- 1x Diffusore Attivo
- 1x Diffusore Passivo
- 1x Cavo di Alimentazione da 1,7m (5,6 piedi)
- 1x Telecomando
- Questo manuale d'uso

In caso di danni durante il trasporto, informare immediatamente lo spedizioniere

e conservare il materiale di imballaggio per l'ispezione. Ancora una volta, si prega di conservare la confezione e tutti i materiali di imballaggio. Se l'unità deve essere restituita al produttore, è importante che questa venga restituita nella confezione originale del produttore. Si prega di non intraprendere alcuna azione senza prima averci contattato. I nostri prodotti sono soggetti a un processo continuo di sviluppo. Pertanto, le modifiche alle caratteristiche tecniche rimangono soggette a modifiche senza preavviso.

3. DESCRIZIONE DEL PRODOTTO

REDY+630SET è la risposta alle quelle piccole necessità di amplificazione audio (piccoli esercizi commerciali, contesti didattici multimediali, ecc.) dove praticità, semplicità di installazione, multifunzionalità e compattezza devono coesistere perfettamente.

Il sistema è costituito da una coppia di diffusori ported a 2-vie con woofer da 6.5" e tweeter da 0.5". Uno dei due diffusori è attivo e, oltre a contenere un amplificatore in classe-D da 30+30W RMS (100+100W di Picco), incorpora un lettore multimediale con ingresso USB, ingresso Line Stereo e streaming BT. L'altro diffusore è passivo e va collegato al precedente in modo da ottenere un sistema audio perfettamente stereofonico.

L'ingresso Line stereo è provvisto sia di connettori RCA, di mini-jack da 1/8" e connessione Phoenix, in modo da agevolare il collegamento a una enormità di sorgenti sonore sia portatili (lettori CD, DVD, Tuner, ecc.), multimediali (mobile phone, tablet, ecc.), che fisse. Il sistema è inoltre provvisto sia di uscita Link Out stereo che di uscita mono per subwoofer, consentendo di espandere il REDY-630SET e integrare ulteriori diffusori o sistemi audio.

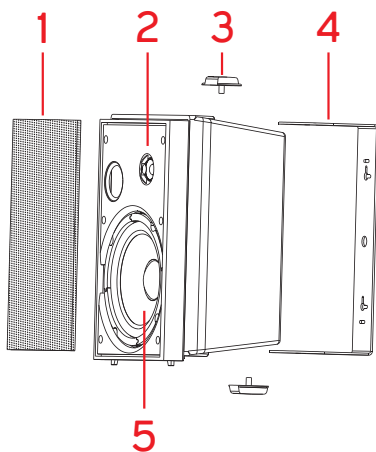
Lo streaming BT e il telecomando consentono l'utilizzo anche in modalità wireless, sfruttando i propri dispositivi BT e accedendo alle proprie playlist. E' inoltre disponibile la funzione TWS (True Wireless Stereo) che permette il collegamento wireless ad un secondo REDY-630SET ed usare il secondo diffusore attivo come canale Destro o semplicemente come connessione senza fili dello stesso canale audio

3.1. Caratteristiche:

- Amplificatore in Classe-D da 2x30W RMS (2x100W)
- Diffusori a 2-Vie ported con woofer da 6.5" e tweeter da 0.5"
- Staffe a C per il montaggio a muro con angolo orizzontale regolabile
- Lettore BT/USB/Line con Telecomando
- Ingresso Stereo Line con connessioni RCA, Mini-jack e Phoenix (Euroblock)
- EQ a 2 Bande, Uscite Link e Sub
- Funzione TWS (True Wireless Stereo)

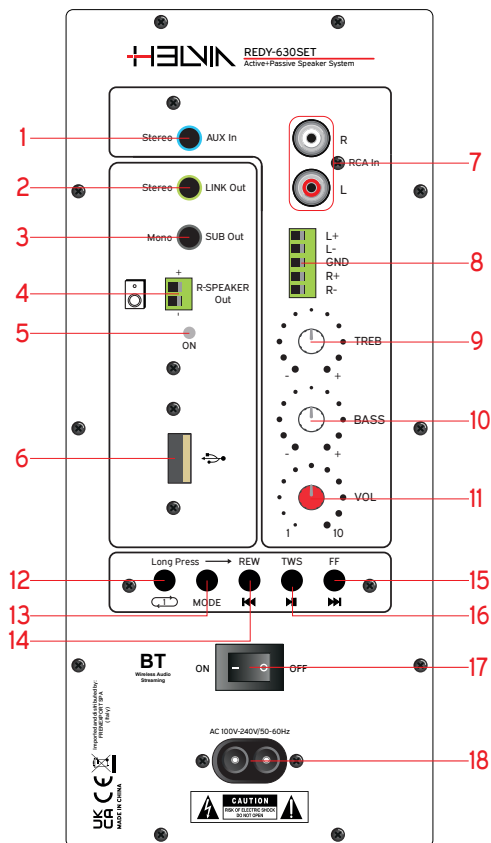
4. ASPETTO DEL PRODOTTO

4.1. Pannello Frontale



- ① Griglia
- ② Tweeter
- ③ Manopola
- ④ Staffa di Montaggio
- ⑤ Woofer

4.2. Pannello Posteriore



- | | | |
|---------------------------------|--------------------------------------|-------------------------------------|
| 1. Ingresso Stereo Aux da 3.5mm | 7. Ingresso RCA Stereo/Mono | 13. Tasto Mode |
| 2. Uscita Stereo LINK | 8. Ingresso bilanciato di Linea | 14. Tasto Indietro/Riavvolgi |
| 3. Uscita Mono SUB | 9. Manopola di controllo degli Alti | 15. Tasto Avanti/Avanzamento Rapido |
| 4. Uscita R-SPEAKER | 10. Manopola di controllo dei Bassi | 16. Tasto Play/Pausa/Pairing TWS |
| 5. Indicatore LED | 11. Manopola di controllo del Volume | 17. Interruttore On/Off |
| 6. Ingresso unità flash USB | 12. Tasto Loop | 18. Ingresso Alimentazione |

1. Ingresso Stereo Aux da 3.5mm

Ingresso TRS stereo da 3,5 mm per sorgenti audio esterne come lettori CD/MP3, computer portatili, smartphone o tablet.

2. Uscita Stereo LINK

Uscita stereo LINK da 3,5 mm per il collegamento a un altro diffusore attivo o amplificatore.

3. Uscita Mono SUB

Uscita mono SUB da 3,5 mm per il collegamento a un subwoofer.

4. Uscita R-SPEAKER (Euroblock)

Uscita Euroblock a 2-pin per il collegamento al diffusore passivo. Consultare la sezione "5.2. Connessione Diffusori" a pagina 25 per informazioni su come collegare i diffusori.

5. Indicatore LED

Questo LED si accende di blu quando il diffusore attivo è acceso.

6. Ingresso unità flash USB

Supporta unità flash USB fino a 32 GB formattate nel file system FAT 32. Supporta formati audio come FLAC, WMA, WAV e MP3 di alta qualità (fino a 320 kbps).



Nota: l'audio dell'unità USB inizia a essere riprodotto non appena l'unità viene inserita, e ha la priorità su qualsiasi altra sorgente audio.

7. Ingresso RCA Stereo/Mono

Ingresso sbilanciato RCA stereo/mono per sorgenti esterne a livello di linea, come smartphone o laptop. Premere il tasto MODE ("13. Tasto Mode" a pagina 23) per selezionare questo ingresso.

8. Ingresso bilanciato di Linea (Euroblock)

Ingresso di linea Euroblock per connessioni bilanciate. Prestare attenzione alla polarità dei fili (+=Caldo, -=Freddo, G=Massa).

9. Manopola di controllo degli Alti

Questa manopola aumenta o diminuisce la risposta alle alte frequenze. La posizione 0 (centrale) produce una risposta piatta. La gamma di regolazione va da -12 dB a +12 dB.

10. Manopola di controllo dei Bassi

Questa manopola aumenta o diminuisce la risposta alle basse frequenze. La posizione 0 (centrale) produce una risposta piatta. La gamma di regolazione va da -12

dB a +12 dB.

11. Manopola di controllo del Volume

Questa manopola regola il livello del volume di uscita


12. Tasto Loop


Questo tasto non è utilizzato in questa versione.

13. Tasto Mode

Premere brevemente per passare da una sorgente audio all'altra collegata al diffusore attivo.

Quando si passa alla modalità BT, all'inizio si sente un suono breve e veloce, poi un suono più lungo e crescente dopo circa 10 secondi, a indicare che il dispositivo è ora accoppiato al diffusore. A questo punto, premere Play/Pausa "▶||" sul diffusore attivo (o sul dispositivo) per avviare la riproduzione.

 **Nota: questa procedura viene eseguita ogni volta che si passa alla modalità BT da un'altra sorgente. Consultare la sezione "5.3. Modalità BT" a pagina 26 per ulteriori informazioni su come connettere il dispositivo esterno tramite BT per la prima volta.**

 **Nota: se non si sente alcun audio quando si passa da una sorgente all'altra, accertarsi che l'audio della sorgente selezionata non sia in pausa.**

14. Tasto Indietro/Riavvolgi

In modalità BT e USB, premere una volta per riprodurre il brano precedente. Tenere premuto per riavvolgere.

Questo pulsante non funziona in modalità AUX e RCA; per queste funzioni, utilizzare i controlli del dispositivo.

15. Tasto Avanti/Avanzamento Rapido

In modalità BT e USB, premere una volta per riprodurre il brano successivo. Tenere premuto per l'avanzamento rapido. Questo pulsante non funziona in modalità AUX e RCA; per queste funzioni, utilizzare i controlli del dispositivo.

16. Tasto Play/Pausa / Pairing TWS

Premere brevemente per avviare/mettere in pausa la riproduzione audio in modalità BT e USB.

In modalità AUX e RCA, questo pulsante disattiva solo l'audio, ma non lo mette in pausa. Per mettere in pausa e riprendere la riproduzione, utilizzare la funzione play/pausa del dispositivo collegato.

Se si desidera utilizzare la connessione TWS (True Wireless Connection), assicurarsi che due diffusori attivi siano accesi e in modalità BT, quindi tenere premuto il pulsante TWS per 3 secondi su uno qualsiasi dei diffusori. Le due unità attive saranno collegate automaticamente.

17. Interruttore On/Off

Usare questo interruttore per accendere e spegnere il diffusore.


18. Ingresso Alimentazione

Connettore per l'alimentazione di rete.

5. INSTALLAZIONE

Leggere attentamente queste istruzioni prima di installare e utilizzare il prodotto.


1. Prima di installare il diffusore in una parete, verificare che la struttura sia in grado di sostenere il peso ed evitare il contatto con cavi o tubature che potrebbero trovarsi dietro la superficie. L'installazione su materiali morbidi o in aree non in grado di sostenere il peso del diffusore può causare lesioni personali o danni al diffusore.
2. Assicurarsi che il diffusore sia fissato correttamente alla parete. Utilizzare viti, bulloni o ancoraggi adeguati. In caso contrario, il diffusore potrebbe non essere fissato e causare danni o lesioni.
3. Quando si installano i diffusori all'esterno, scegliere aree come la parte inferiore dei cornicioni per evitare la forte luce solare diretta che potrebbe compromettere il colore e la conservazione dell'involucro del diffusore.
4. Per l'installazione, utilizzare solo cavi approvati e certificati. Non allungare o mettere il cavo a contatto con oggetti appuntiti.
5. Prima di rimuovere i cavi, accertarsi che l'amplificatore e gli altri componenti siano spenti.
6. Prima di rimuovere i cavi, accertarsi che l'amplificatore e gli altri componenti siano spenti.
7. Non sovraccaricare mai il diffusore fino a provocarne la distorsione e ridurre sempre il volume prima di cambiare sorgente di ingresso.


 **Nota: ogni volta che si nota una distorsione, ridurre il volume a un livello inferiore. Non lasciate mai che l'amplificatore vada in "clipping", altrimenti i diffusori potrebbero subire danni. I danni causati dal funzionamento dei diffusori a livelli di volume distorti non sono coperti dalla garanzia.**


5.3. Modalità BT

La modalità BT consente di collegare uno smartphone, un PC o un tablet al diffusore attivo per la riproduzione dei file memorizzati o dell'audio digitale in streaming. Per attivare questa funzione, accertarsi che il diffusore sia acceso e procedere come segue:


1. Premere il tasto MODE, ("13. Tasto Mode" a pagina 23), per accedere alla modalità BT. Un suono rapido e crescente indica che il diffusore è in modalità BT e pronto per il collegamento.
2. Aprire il menu Impostazioni del dispositivo esterno e attivare la connessione BT.
3. Cercare "REDY-630" nell'elenco dei dispositivi e selezionarlo per accoppiarlo al diffusore.
4. L'altoparlante emette un suono ascendente più lungo e più acuto, a indicare che il dispositivo è ora associato.
5. Per disconnettere l'altoparlante, aprire il menu BT sul dispositivo, selezionare "REDY-630" dall'elenco e scegliere "disconnetti". L'altoparlante emetterà un suono diverso per indicare che il dispositivo è ora disconnesso.
6. Ripetere la procedura sopra descritta se si desidera accoppiare nuovamente il dispositivo o se il collegamento non riesce. Se non si riesce a ricollegare un dispositivo precedentemente collegato, rimuovere "REDY-630" dall'elenco dei dispositivi accoppiati e seguire le istruzioni di cui sopra dall'inizio.

 **Nota: l'ingresso BT ha la priorità sull'ingresso RCA quando BT e RCA sono collegati contemporaneamente. Per ascoltare l'audio dall'ingresso RCA, accertarsi che tutti i dispositivi BT siano scollegati, oppure selezionarlo con il tasto MODE.**

 **Nota: un dispositivo può essere collegato via BT a un solo diffusore. Se si desidera accoppiare un altro dispositivo allo stesso diffusore, scollegare prima quello precedentemente accoppiato.**

 **Nota: la connessione BT si interrompe se la distanza tra il diffusore e il dispositivo accoppiato è superiore a 10 m (32,8 piedi).**

5.4. Telecomando

		<p>Tasto On/Off: Premere questo tasto per mettere i diffusori in stand-by. L'audio è disattivato, ma i diffusori sono ancora alimentati. Premere nuovamente per riprendere la riproduzione.</p> <p>In modalità RCA e AUX, l'audio è disattivato ma la riproduzione continua sul dispositivo collegato.</p> <p>In modalità BT e USB, la riproduzione viene messa in pausa e poi ripresa dallo stesso punto. Quando si riprende la riproduzione in modalità BT, il dispositivo viene nuovamente accoppiato come descritto al punto "13. Tasto Mode" a pagina 23.</p>
<p>Nota: I numeri e il tasto RPT non vengono utilizzati.</p>	2.	<p>Tasto Mode: Stesse funzioni del punto "13. Tasto Mode" a pagina 23.</p>
	3.	<p>Tasto Stop: Premere questo tasto per interrompere la riproduzione. Premere il pulsante Play/Pausa per riprendere l'audio dall'inizio.</p> <p>Questo tasto funziona solo in modalità USB.</p>
	4.	<p>Tasto Aumenta Volume: Premere ripetutamente per aumentare il volume per gradi, oppure tenerlo premuto per aumentarlo in modo continuo.</p>
	5.	<p>Tasto Indietro/Riavvolgi: in modalità BT e USB, premere una volta per passare alla traccia precedente o tenere premuto per riavvolgere.</p> <p>Questo tasto non funziona in modalità AUX e RCA.</p>
	6.	<p>Tasto Play/Pausa: in modalità BT e USB, premere una volta per riprodurre/mettere in pausa la riproduzione. In modalità AUX e RCA, l'audio viene disattivato ma la riproduzione non viene messa in pausa.</p>
	7.	<p>Tasto Mute: Premere per disattivare/riattivare l'audio. La riproduzione non viene messa in pausa.</p>

	8.	Tasto Avanti/Avanzamento Rapido: in modalità BT e USB, premere una volta per passare alla traccia successiva o tenere premuto per avanzare velocemente. Questo tasto non funziona in modalità AUX e RCA.
	9.	Tasto Abbassa Volume: Premere ripetutamente per diminuire il volume per gradi, oppure tenerlo premuto per diminuirlo in modo continuo.
	10.	Tasto EQ: Premere per scegliere tra i preset di equalizzazione.

6. PARAMETRI TECNICI

6.1. Specifiche Tecniche

Modello	REDY-630SET	
Tipo di Diffusore	Diffusore Attivo a 2 vie	Diffusore Passivo a 2 vie
Risposta in Frequenza	70 Hz - 20 kHz @ -10 dB	70 Hz - 20 kHz @ -10 dB
SPL massimo	104 dB@ 25W	104 dB@ 25W
Sensibilità	90 dB	90 dB
Tweeter	Cupola in Mylar	Cupola in Mylar
Diametro bobina	0.5"	0.5"
Direttività (HxV)	100° x 100°	100° x 100°
Frequenza di Crossover	7.0 kHz	7.0 kHz
Diametro Woofer	6.5"	6.5"
Materiale Cono	Cono in carta con bordo gommato	Cono in carta con bordo gommato
Diametro bobina	1.0 pollici	1.0 pollici
Impedenza	8 ohm	8 ohm
Classe Amplificatore	Classe-D	
Potenza RMS	30 W	30 W
Potenza di Picco	100 W	100 W
Ingressi	1/8" Stereo Jack, Stero RCA, 5-pin Phoenix	Binding Post (Rosso/Nero)
Uscite	1/8" Stereo Jack (Uscita Link), 1/8" Mono Jack (Uscita Sub), 2-pin Phoenix (Uscita R-Speaker)	
Controlli di Linea/Aux/RCA	Volume	
EQ Alti	Cut-off freq: 20kHz Gain: +/- 12dB	
EQ Bassi	Cut-off freq: 20kHz Gain: +/- 12dB	

LED	Accensione (Blu)	
Controlli Multimedia Player	Mode, Canzone +/-, Rew, FF, Play/Pausa, TWS	
Alimentazione	100-240 Vac - 50-60Hz	
Consumo Energetico	100W	
Fusibile	T2A-250V	
Materiale Involucro	Polipropilene	Polipropilene
Spessore e Materiale Griglia	0.6 mm, Acciaio	0.6 mm, Acciaio
Montaggio a muro	Staffa a C con regolazione orizzontale	Staffa a C con regolazione orizzontale
Dimensioni Prodotto (LxPxA)	215 x 197 x 298 mm (13.2 x 14.8 x 11.7 in)	215 x 197 x 298 mm (13.2 x 14.8 x 11.7 in)
Peso Diffusore	3.8 kg (8.4 lbs.)	3.8 kg (8.4 lbs.)
Dimensioni Imballo - Coppia (LxPxA)	483 x 288 x 345 mm (19.0 x 11.3 x 13.6 in)	483 x 288 x 345 mm (19.0 x 11.3 x 13.6 in)
Peso Imballo	7.7 kg (17.0 lbs.)	7.7 kg (17.0 lbs.)

I nostri prodotti sono soggetti a continui miglioramenti. Modifiche alle caratteristiche possono essere apportate senza preavviso.

7. GARANZIA E ASSISTENZA

Tutti i prodotti HELVIA® sono coperti da garanzia secondo le normative europee (2 anni in caso di vendita finale a privato - B2C; 1 anno in caso di vendita finale ad azienda - B2B). Questa garanzia è valida dalla data di acquisto da parte dell'utilizzatore finale (privato o azienda che sia), indicata nel documento di acquisto (scontrino in caso di privato; fattura in caso di azienda). I seguenti casi / componenti non sono coperti dalla garanzia di cui sopra:

- Tutti gli accessori forniti con il prodotto;
- Uso improprio;
- Guasto dovuto all'usura;
- Ogni modifica non autorizzata del prodotto effettuata dall'utente o da terzi.

HELVIA deve soddisfare gli obblighi di garanzia dovuti a eventuali materiali non conformi o difetti di fabbricazione, rimediando gratuitamente e a discrezione di HELVIA, con la riparazione o sostituzione di singole parti o dell'intero apparecchio. Eventuali parti difettose rimosse da un prodotto in caso di intervento di garanzia diventano di proprietà di HELVIA. Durante il periodo di garanzia, i prodotti difettosi possono essere restituiti al rivenditore o all'installatore HELVIA con prova di acquisto originale (scontrino o fattura). Per evitare danni durante il trasporto, si prega di utilizzare l'imballo originale, se disponibile. Per ulteriori informazioni visitate il sito: www.frenexport.com.

8. AVVISO

LEGGETE ATTENTAMENTE - solo per UE e EEA (Norvegia, Islanda e Liechtenstein).



Questo simbolo indica che il prodotto non deve essere smaltito con i rifiuti domestici, in base alla direttiva RAEE (2202/96/CE e successive modificazioni) e legislazione nazionale.

Il prodotto deve essere consegnato a un centro di raccolta differenziata o, in caso di ritiro dell'usato quando si acquista un nuovo prodotto simile, ad un rivenditore autorizzato per il riciclaggio di apparecchiature elettriche ed elettroniche (RAEE).

Un uso improprio di questo tipo di rifiuti può avere un impatto negativo sull'ambiente e sulla salute umana a causa di sostanze potenzialmente pericolose che sono generalmente associate alle apparecchiature elettriche ed elettroniche. Allo stesso tempo, la vostra collaborazione per il corretto smaltimento di questo prodotto contribuirà a un utilizzo efficace delle risorse naturali.

Per ulteriori informazioni sui punti di raccolta delle apparecchiature da rottamare, contattate il comune, l'autorità di gestione dei rifiuti, strutture coinvolte nel sistema RAEE o il servizio di smaltimento dei rifiuti domestici



www.frenexport.com



This product is imported in the European Union by
Questo prodotto è importato nell'Unione Europea da

FRENEXPORT SPA – Via Enzo Ferrari, 10 - 62017 Porto Recanati - Italy
HELVIA® is a registered trademark of FRENEXPORT SPA - Italy
HELVIA® è un marchio di fabbrica registrato di FRENEXPORT SPA - Italia