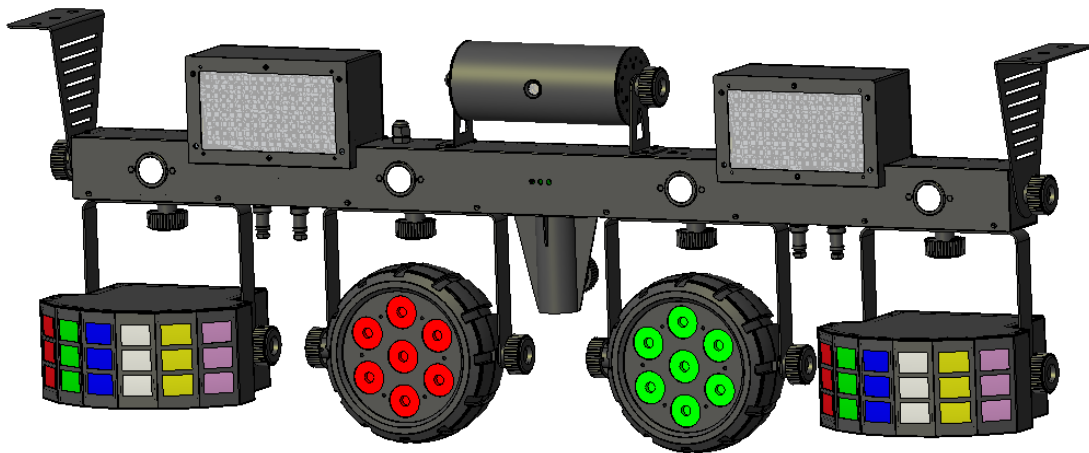


PARTYBAR

Pro 1000



CKU-3100

USER MANUAL



ColorKey
creative lighting

Table of Contents

INTRODUCTION	3
SERVICE & SUPPORT	3
STAND SETUP INSTRUCTIONS	4
UNPACKING & REPACKING	5
MOUNTING	5
PRODUCT OVERVIEW	6
DISPLAY OPERATION	8
MENU GUIDE.....	9
DMX VALUES.....	10
STAND ALONE CONTROL SETTINGS.....	16
WIRED DMX CONNECTIONS.....	17
WIRELESS DMX CONNECTIONS	18
IR REMOTE OVERVIEW	20
WIRELESS FOOTSWITCH (SOLD SEPARATELY).....	21
BATTERY LIFE AND SPECIFICATIONS.....	22
MAINTENANCE	23
TROUBLESHOOTING	23
TECHNICAL INFORMATION	24

Please read these instructions carefully before use. Operating this fixture according to these instructions is important to avoid any possible damage or accidents caused by misuse.

Introduction

Package Contents

- PartyBar PRO 1000
- 7ft. Stand
- Power Cable
- IR Remote
- Antenna x2
- QR Manual
- Laser on/off keys
- Carrying Case
- Mounting Brackets

Caution! Opening this unit voids warranty. Contact ColorKey for any service requests.

Warning! To avoid electrical shock, be sure to disconnect power before any service or when moving or setting up the fixture.

Service & Support

Your ColorKey product includes a 2-year warranty. For technical support or to register your product, please visit <https://www.colorkeyled.com/support/>

You can also reach us by phone Monday thru Friday, 8:30am –5pm PST at (818) 578-4030.



Stand Setup Instructions

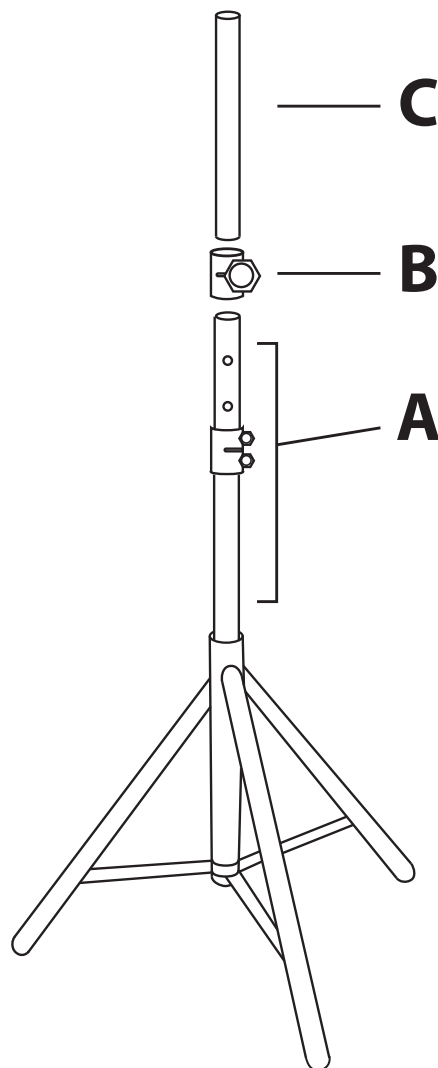
PLEASE READ CAREFULLY BEFORE USING THE STAND TO AVOID DAMAGE AND INJURY

The PartyBar tripod stand includes a removable extension pole, which has the advantage of shrinking the footprint of the stand when disassembled, for ease of transportation. With the extension pole installed, the stand can lift your fixtures over 7ft in the air.

Max Weight Capacity

25 lbs

To use the extension pole, simply press the connection collar (B) to the top of the tripod (A), then insert the extension (C) into the collar. Push down until both poles are fully inserted into the collar and tighten the knob.



WARNING! In order to avoid accidents, it is highly recommended to **weigh down the base of the tripod using counterweights or sandbags while the stand is set to maximum height.** Failure to do so may result in the stand being tipped over accidentally, causing damage and bodily injury.

Unpacking & Repacking

Please read these instructions carefully before packing. Packing this fixture according to these instructions is important to avoid any possible damage or accidents during transport and storage.

When packing your PartyBar PRO 1000 please be sure that:

- The unit is placed face down with derby fixtures pointing in a downward direction
- You remove wireless and footswitch antenna
- You remove laser on/off key
- You remove mounting brackets
- The retainer strap does not hang out of case when closing the zipper

Mounting

Orientation

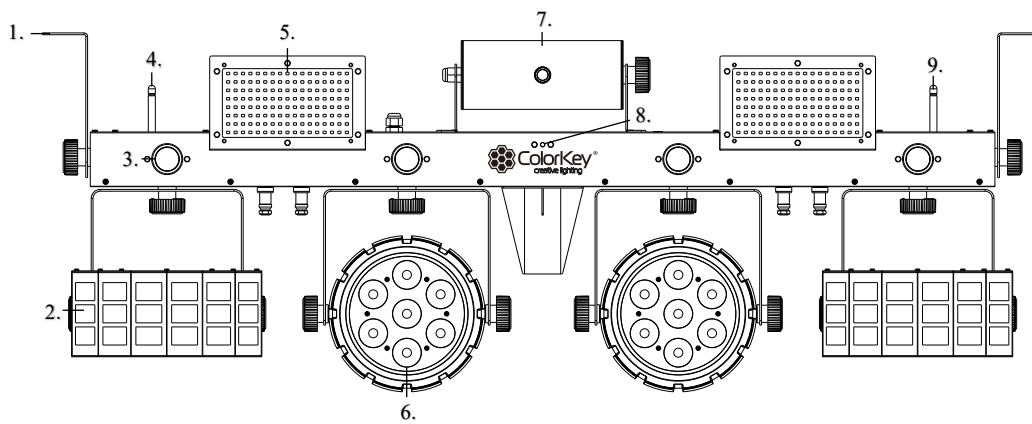
PartyBar PRO 1000 may be mounted in any position; however, make sure there is adequate ventilation around the product.

Rigging

- Before deciding on a location, make sure there is easy access to the product for maintenance and programming.
- Make sure adequate ventilation is provided around the product.
- Make sure that the structure or surface onto which you are mounting the product can support the products weight.
- Mount the product securely to a rigging point, weather an elevated platform or a truss.
- When rigging the product onto a truss, use a mounting clamp of the appropriate weight capacity.
- When power linking multiple products, mount the products close enough for power linking cable to reach.

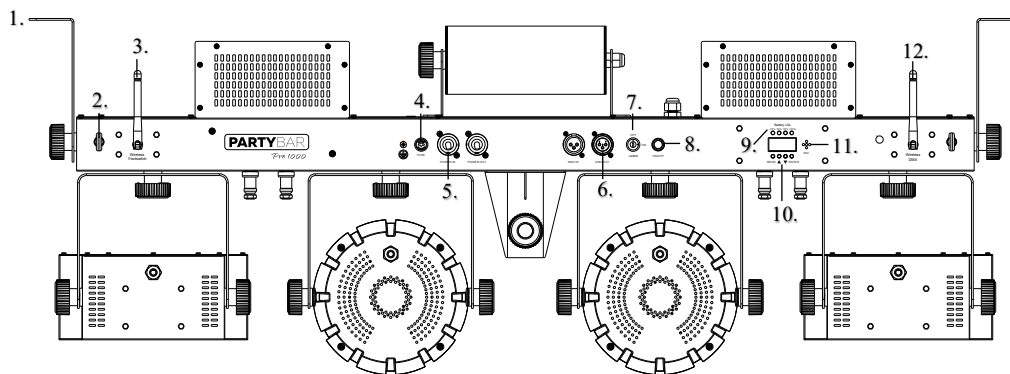
Product Overview

Front



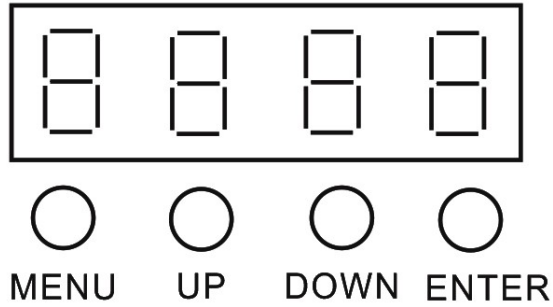
- | | |
|-----------------------------|--------------------------------|
| 1. Mounting Bracket | 6. RGBW 4-in1 LED Par |
| 2. RGBWAP LED Derby | 7. Red & Green Laser |
| 3. White+UV 2-in-1 LED | 8. Wireless IR Receiver |
| 4. Wireless DMX Antenna | 9. Wireless Footswitch Antenna |
| 5. Warm White SMD LED Panel | |

Back



- | | |
|--------------------------------|---------------------------|
| 1. Mounting Bracket | 7. Laser On/Off Lock |
| 2. Safety Eye-bolt | 8. Power On/Off |
| 3. Wireless Footswitch Antenna | 9. Battery Life Indicator |
| 4. T3A Fuse Socket | 10. Menu |
| 5. Locking Power In/Out | 11. Microphone |
| 6. DMX In/Out | 12. Wireless DMX Antenna |

Display Operation



- Menu: Access the menu/Scroll through menu options
- Up: Scroll through menu selection or increase selected parameter
- Down: Scroll through menu selection or decrease a selected parameter
- Enter: Open/Select the current or selected menu option

Menu Guide

Mode	Program		Description
DMX	Addr	34 CH	d001-d512 for DMX addressing
		18 CH	
		3CH	
Static Colors	Stat	S 01-25	Static color selections
Auto	Auto	Au1-10	Auto programs
Sound	Soun	So1-10	Sound activated programs
Speed	SPEE	SP1-SP9	Speed select (slow to fast)
Sensitivity	SEnS	Se1-Se9	MIC sensitivity (low to high)
Dimming	dIMM	d11-d1 9	Master dimming (low to high)
Silent Scene	SILE	on/oFF	Specific to (Sound) mode, Silent Scene will either keep the light on, or off when music stops playing
SMD	Smd	on/oFF	Enable or disable SMD LED panels
Slave	SLAV	Slave	Slave mode will mimic Master units by way of wired or wireless DMX connections. Select SLAV for this control, otherwise the unit is a Master
Wireless 2.4G	24G	1r__	Red or Ch. 1 Wireless Connection
		2_G_	Green, Ch. 2 Wireless Connection
		3rG_	Yellow, Ch. 3 Wireless Connection
		4__b	Blue, Ch. 4 Wireless Connection
		5r_b	Magenta, Ch. 5 Wireless Connection
		6_Gb	Cyan, Ch. 6 Wireless Connection
		7rGb	White, Ch. 7 Wireless Connection
ECO PRO Power Saving	ECO	OFF	Regular operating mode at full brightness
		ON	Energy saving mode, at a slightly reduced brightness to (White+UV 2-in-1 LEDs)
		S-EC	Super energy saving mode at a significant reduction in brightness
Infrared	InFr	on/oFF	Enable or disable the IR remote
Foot	Foot	on/oFF	Enable or disable a Footswitch controller (sold separately)

DMX Values

3CH DMX values

CH1	0-255	Master dimming (0-100%)
CH2	0-9	No function
	10-19	Auto program 1
	20-29	Auto program 2
	30-39	Auto program 3
	40-49	Auto program 4
	50-59	Auto program 5
	60-69	Auto program 6
	70-79	Auto program 7
	80-89	Auto program 8
	90-99	Auto program 9
	100-109	Auto program 10
	110-119	Sound program1
	120-129	Sound program2
	130-139	Sound program3
	140-149	Sound program4
	150-159	Sound program5
	160-169	Sound program6
	170-179	Sound program7
	180-189	Sound program8
	190-199	Sound program9
200-255	Sound program10	
CH3	0-255	Auto and Sound Program 1-10 speed (From slow to fast)

18CH DMX values

CH1	0-255	Master dimming (0-100%)	
CH2	0-9	No function	PAR1-2
	10-255	PAR Strobe (Rate 0-100%)	
CH3-4	0-9	No function	
	10-19	Red	
	20-29	Green	
	30-39	Blue	
	40-49	White	
	50-59	Yellow	
	60-69	Magenta	
	70-79	Cyan	
	80-89	Dark orange	
	90-99	Greenish- yellow	
	100-109	Salmon	
	110-119	Turquoise	
	120-129	Light Green	
	130-139	Orange	
	140-149	Straw	
	150-159	Lavender	
	160-169	Light blue	
170-179	Dark blue		
180-189	Pink		
190-255	Full on		
CH5	0-9	No function	
	10-255	Derby Strobe (Rate 0-100%)	
CH6-7	0-9	No function	
	10-19	Red	
	20-29	Green	
	30-39	Blue	
	40-49	White	
	50-59	Amber	
	60-69	Pink	
	70-79	Red + Green + Pink	
80-89	Red + Blue + Pink		

	90-99	Red + White + Pink	DERBY1-2
	100-109	Red + Amber + Pink	
	110-119	Green + Blue + Pink	
	120-129	Green + White + Pink	
	130-139	Green + Amber + Pink	
	140-149	Blue + White + Pink	
	150-159	Blue + Amber + Pink	
	160-169	White + Amber + Pink	
	170-179	Red + Green +Blue	
	180-189	Red +Blue +White	
	190-199	Red +White +Amber	
	200-209	Red + Green +Amber	
	210-219	Red + Blue +Amber	
	220-229	Green +Blue +White	
	230-239	Green + White +Amber	
	240-249	Green + Blue +Amber	
	250-255	ALL LEDs ON	
CH8	0-9	No function	
	10-255	Derby Motor Speed (speed slow-fast)	
CH9	0-9	No function	Laser
	10-59	Laser Red	
	60-109	Laser Green	
	110-159	Laser Red + Green	
	160-255	Laser R+G effect speed (low-high)	
CH10	0-9	No function	
	10-129	Clockwise motor rotation (speed low-fast)	
	130-255	Counterclockwise motor rotation (speed low-fast)	
CH11	10-255	BAR White LED Strobe (Rate 0-100%)	Bar white LED
CH12	0-9	No function	
	10-19	BAR White LED ON	
	20-159	LED Chase	
	160-255	LED Chase running (slow to fast)	
CH13	10-255	BAR UV Strobe (Rate 0-100%)	Bar UV LED
CH14	0-9	No function	
	10-19	BAR UV LED ON	
	20-159	LED Chase	
	160-255	LED Chase running (slow to fast)	

CH15	0-9	No function	SMD
	10-255	SMD Strobe (Rate 0-100%)	
CH16	0-9	No function	
	10-19	SMD1 LED Panel	
	20-29	SMD2 LED Panel	
	30-255	SMD1+SMD2	
CH17	0-9	No function	
	10-19	Auto program 1	
	20-29	Auto program 2	
	30-39	Auto program 3	
	40-49	Auto program 4	
	50-59	Auto program 5	
	60-69	Auto program 6	
	70-79	Auto program 7	
	80-89	Auto program 8	
	90-99	Auto program 9	
	100-109	Auto program 10	
	110-119	Sound program1	
	120-129	Sound program2	
	130-139	Sound program3	
	140-149	Sound program4	
	150-159	Sound program5	
	160-169	Sound program6	
	170-179	Sound program7	
	180-189	Sound program8	
190-199	Sound program9		
200-255	Sound program10		
CH18	0-255	Auto and Sound Program 1-10 speed (From slow to fast)	

34CH DMX values

CH1	0-255	Master dimming (0-100%)	
CH2	0-9	No function	
	10-255	PAR Strobe (Rate 0-100%)	
CH3	0-255	Red (0-100%)	PAR1
CH4	0-255	Green (0-100%)	

CH5	0-255	Blue (0-100%)	PAR2	
CH6	0-255	White (0-100%)		
CH7	0-255	Red (0-100%)		
CH8	0-255	Green (0-100%)		
CH9	0-255	Blue (0-100%)		
CH10	0-255	White (0-100%)		
CH11	0-9	No function	DERBY1	
	10-255	Derby Strobe (Rate 0-100%)		
CH12	0-255	Red (0-100%)		
CH13	0-255	Green (0-100%)		
CH14	0-255	Blue (0-100%)		
CH15	0-255	White (0-100%)		
CH16	0-255	Amber (0-100%)		
CH17	0-255	Pink (0-100%)		
CH18	0-255	Red (0-100%)		DERBY2
CH19	0-255	Green (0-100%)		
CH20	0-255	Blue (0-100%)		
CH21	0-255	White (0-100%)		
CH22	0-255	Amber (0-100%)		
CH23	0-255	Pink (0-100%)		
CH24	0-9	No function	Laser	
	10-255	Derby Motor Speed (speed low-fast)		
CH25	0-9	No function		
	10-59	Laser Red		
	60-109	Laser Green		
	110-159	Laser Red + Green		
	160-255	Laser R+G effect group (speed low-high)		
CH26	0-9	No function		
	10-129	Motor Clockwise rotation (speed low-fast)		
	130-255	Motor counterclockwise rotation (speed low-fast)		
CH27	0-9	No function		Bar White LED
	10-255	BAR white Strobe (Rate 0-100%)		
CH28	0-9	No function		
	10-19	BAR white LED ON		
	20-159	Chase cycles		
	160-255	Chase running (slow to fast)		
CH29	10-255	BAR UV Strobe (Rate 0-100%)	Bar UV LED	

CH30	0-9	No function	
	10-19	BAR UV LED ON	
	20-159	Chase cycles	
	160-255	Chase running (slow to fast)	
CH31	0-9	No function	SMD
	10-255	SMD Strobe (Rate 0-100%)	
CH32	0-9	No function	
	10-19	SMD1	
	20-29	SMD2	
	30-255	SMD1+SMD2	
CH33	0-9	No function	
	10-19	Auto program 1	
	20-29	Auto program 2	
	30-39	Auto program 3	
	40-49	Auto program 4	
	50-59	Auto program 5	
	60-69	Auto program 6	
	70-79	Auto program 7	
	80-89	Auto program 8	
	90-99	Auto program 9	
	100-109	Auto program 10	
	110-119	Sound program1	
	120-129	Sound program2	
	130-139	Sound program3	
	140-149	Sound program4	
	150-159	Sound program5	
	160-169	Sound program6	
	170-179	Sound program7	
	180-189	Sound program8	
	190-199	Sound program9	
200-255	Sound program10		
CH34	0-255	Auto and Sound Program 1-10 speed (From slow to fast)	

Stand Alone Control Settings

To use your PartyBar PRO 1000 without a DMX Controller, use one of the various standalone modes below.

Static Color Programs

To run the PartyBar PRO 1000 in a Static color, do the following:

1. Press (Menu)
2. Use (Up) or (Down) to select Stat
3. Use (Up) or (Down) to select Color S 01- S 25
4. Press (Enter)

Automatic Programs

To run the PartyBar PRO 1000 in Automatic Mode, follow the instructions below:

1. Press (Menu)
2. Use (Up) or (Down) to select Auto
3. Use (Up) or (Down) to select show Au1-10
4. Press (Enter)

Sound Active Mode

To run the PartyBar PRO 1000 in Sound-Active mode, do the following:

1. Press (Menu)
2. Use (Up) or (Down) to select Soun
3. Press (Enter)
4. Use (Up) or (Down) to select So1-10
5. Press (Enter)

Sound Sensitivity

To set the Sound Active sensitivity on the PartyBar PRO 1000, follow the instructions below:

1. Press (Menu)
2. Use (Up) or (Down) to select SEnS
3. Press (Enter)
4. Use (Up) or (Down) to select sensitivity from Se1-Se9 (low to high)
5. Press (Enter)

Wired DMX Connections

Your unit will automatically be in Master mode unless menu option SLAV is selected from the onboard display. To connect a Master to a Slave, you will need to link the DMX (Out) of your Master unit to the DMX (In) of your Slave unit by a wired DMX connection.

Slave products:

To set Slave on the unit you wish to control from the Master, do the following:

1. Press (Menu)
2. Use (Up) or (Down)) to select SLAV
3. Press (Enter)

Using a DMX controller:

1. Power on your PartyBar PRO 1000
2. Connect to a DMX controller with a DMX cable plugged into the DMX (In) port of your PartyBar PRO 1000 unit.
3. The fixture will default to DMX address 001.
 - a. The DMX address can now be set as needed for programing.
4. Use (Up) or (Down) to select (Addr)
5. Press (Enter)
6. Use (Up) or (Down) to select operating Channel Mode, (3ch, 18Ch or 34Ch)
7. Press (Enter)
8. Use (Up) or (Down) to set DMX Address (d001-d512)
9. Press (Enter)

Wireless DMX Connections

Your PartyBar PRO 1000 unit can connect wirelessly to other units using 2.4G wireless DMX networks 1-7. It can act as the Master controller or be controlled as Slave, or by wireless DMX. To do so, follow the instructions below.

Wireless Network Overview:

1r__	Red or Ch. 1 Wireless Network
2_G_	Green, Ch. 2 Wireless Network
3rG_	Yellow, Ch. 3 Wireless Network
4__b	Blue, Ch. 4 Wireless Network
5r_b	Magenta, Ch. 5 Wireless Network
6_Gb	Cyan, Ch. 6 Wireless Network
7rGb	White, Ch. 7 Wireless Network

Slave products:

To set your units as SLAV you wish to control from the Master, do the following:

1. Press (Menu)
2. Use (Up) or (Down) to select SLAV
3. Press (Enter)
4. Use (Up) or (Down) to select 2.4G
5. Press (Enter)
6. Use (Up) or (Down) to select wireless network 1-7 (this will correspond to Master)
7. Press (Enter)

Master products:

To select wireless network, do the following:

1. Press (Menu)
2. Use (Up) or (Down) to select 2.4G
3. Press (Enter)
4. Use (Up) or (Down) to select wireless 1-7
5. Press (Enter)
6. Use standalone programs, Included IR remote or Optional footswitch to control.

Connecting to a wireless DMX transmitter:

To connect to a wireless DMX controller or other wireless network for control, do the following:

1. Turn on your wireless DMX transmitter
2. Turn on your PartyBar PRO 1000
3. Press (Menu)
4. Use (Up) or (Down) to select 2.4G
5. Press (Enter)
6. Use (Up) or (Down) to select wireless 1-7
7. Press (Enter)
8. The fixture will default to DMX address 001.
 - a. The DMX address can now be set as needed for programing.
9. Use (Up) or (Down) to select (Addr)
10. Press (Enter)
11. Use (Up) or (Down) to select operating Channel Mode, (3ch, 18Ch or 34Ch)
12. Press (Enter)
13. Use (Up) or (Down) to set DMX Address (d001-d512)
14. Press (Enter)

IR Remote Overview

To use the IR remote, simply point the remote at the IR receiver on the lighting fixture while pressing your desired selection. The IR receiver on the PartyBar PRO 1000 is located on the front face of the unit.

***THE IR REMOTE WILL NOT WORK IF A DMX CABLE IS CONNECTED TO THE INPUT**

BLACK OUT

1. Press **BLACK OUT** to clear the existing program mode- all lights will go off, Press **BLACK OUT** again to return to the last program mode.

AUTO

1. Press **AUTO** on the IRC.
2. Press (+) or (-) to cycle between the different AUTO programs.

SOUND

1. Press **SOUND** on the IRC.
2. Press (+) or (-) to choose between the different SOUND programs.

STROBE

1. Press **STROBE** on the IRC.
2. Press (+) or (-) to adjust the strobe rate.
3. Press **STROBE** again to turn off the strobe.

SPEED

1. Press **SPEED** on the IRC.
2. Press (+) or (-) to adjust the auto/sound program speed.

SENSITIVITY

1. Press **SENSITIVITY** on the IRC.
2. Press (+) or (-) to adjust the microphone sensitivity value on the light.

DMX / %

1. Press to enable **DMX** or **disconnect** DMX on the product
2. Disconnecting DMX will set your fixture to last enabled program mode.

Manual

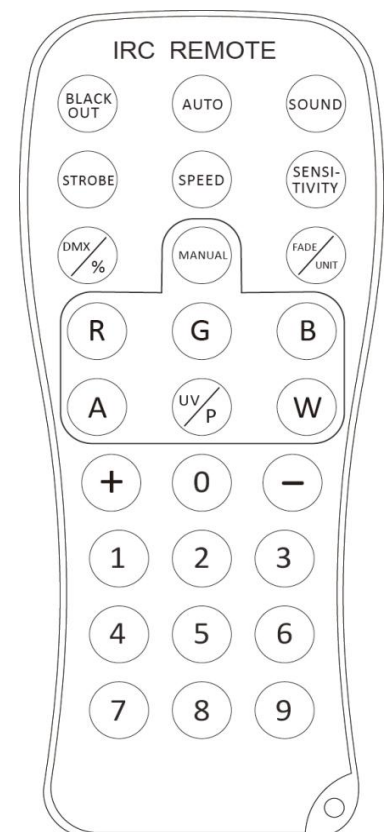
1. Press **MANUAL** on the IRC.
2. Press **(R)**ed, **(G)**reen, **(B)**lue, **(W)**hite, **(A)**mber and **(UV/P)** to choose your color setting.
3. Press (+) or (-) to cycle between static colors.

FADE / UNIT

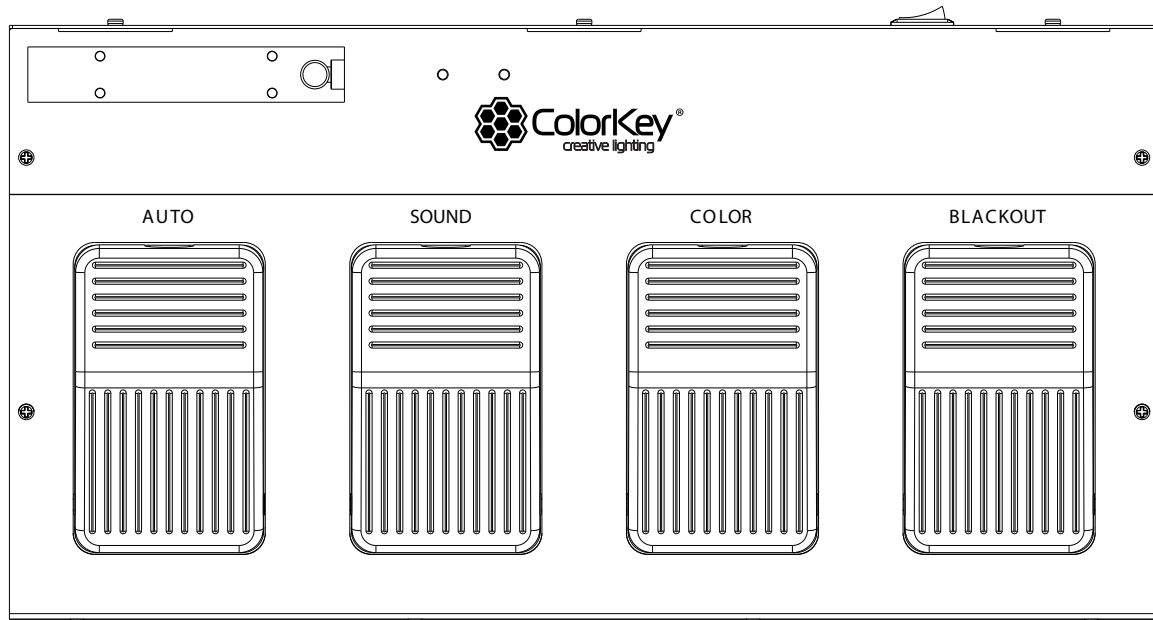
1. Press **Fade / Unit** on the IRC.
2. Press (+) or (-) to cycle between the different FADE programs.

Numbers 0-9

1. Press from number (0) to (9) to change the brightness intensity (0 is low to 9 high).



Wireless Footswitch (Sold Separately)



Using the Optional Footswitch

- Ensure your PartyBar Footswitch Controller is powered on by engaging the power switch on the back of the unit and that the wireless antennae is securely connected.
- Ensure the wireless antennae is also connected on the back of your PartyBar PRO 1000 unit.
- Operate by pressing Auto, Sound Active, Color selections and Blackout.
- When Blackout is pressed, the active program will discontinue. An additional press is needed to reengage the lighting fixture and enable the last program.

Enable the Footswitch Controller within the Menu:

1. Press (Menu)
2. Use (Up) or (Down) to select Foot
3. Press (Enter)
4. Use (Up) or (Down) to select On or Off
5. Press (Enter)

Battery Life and Specifications

PartyBar PRO 1000 features an emergency battery that can last up to 30 minutes to support you in case of accidental disconnection or venue power failure. The battery will be engaged as soon as the power is switched to ON and disconnected from a power source.

The battery charges whenever the included power cable is connected and plugged into a power source. If the product is plugged in and not in operation, make sure the product is turned off.

Battery life can be viewed on the rear of your unit above the LED Menu.

About ECO PRO PowerSaving





You can access Power Saving settings in the onboard LED menu.

- (OFF) Regular operating mode at full brightness
- (ON) Energy saving mode, at a slightly reduced brightness
- (S-EC) Super energy saving mode at a significant reduction in brightness

*Power usage still varies dependent on the complexity of the programs used.

About LED Indicators and Battery Life

You can view Battery Life remaining from LEDs above the onboard menu.

- Battery life 100% 
- Battery life 75% 
- Battery life 50% 
- Battery life 25% 

Battery specification:

- Maximum working hours: 0.5hours (dependent on the ECO setting and programs you choose. Robust programs using frequent color changes will more quickly drain the battery charge.)
- Battery charge time: 1.5hours
- Battery lifetime: average lifetime is 500 charges
- Battery Type: Fixed Lithium Battery
- Battery Voltage: 11.1 VDC
- Battery Capacity: 1200 mAH

Maintenance

Dust build-up reduces light output performance and can cause overheating. This can lead to reduction of the light sources life and or mechanical wear. To maintain optimum performance and minimize wear, clean your lighting products regularly after extended use. However, be aware that usage and environmental conditions could be contributing factors to increase the cleaning frequency.

To clean the product, follow the instruction below:

1. Unplug the product from power.
2. Wait until the product is at room temperature.
3. Use a vacuum (or dry compressed air) and a soft brush to remove dust collected on the external surface/vents.
4. Clean all transparent surfaces with a mild soap solution, ammonia-free glass cleaner, or Isopropyl Alcohol.
5. Apply the solution directly to a soft, lint free cotton cloth or a lens cleaning tissue.
6. Softly drag any dirt or grime to the outside of the transparent surface.
7. Gently polish the transparent surfaces until they are free of haze and lint.

Troubleshooting

Problems	Solutions
No DMX Control	Ensure your DMX controller is sending signal and you are using a proper and working DMX cable.
No Laser Output	Make sure the Laser Key is turned to ON
No Wireless Connections are Made	Please follow instructions for wireless connections

Technical Information

- Derby LED: (2) 6 x 3W R/G/B/W/A/P
- Par LED: (2) 7 x 8W RGBW 4-in-1
- Bar LED: (4) 2W White-UV 2-in-1
- Panel LED: (2) 136 x 0.2W Warm white SMD
- Laser: Red and Green
- Control Modes: DMX512, Master-Slave, Auto, Sound, IR Remote, Wi-DMX Footswitch (Optional)
- 0-100% linear dimmer
- Flash rate: 0-20Hz
- DMX Channel Modes: 3 / 18 / 34 channels
- DMX: 3-pin XLR In/Out
- Includes mounting brackets
- Power Input Type: PowerCon In + Out
- Power consumption: 110W
- Power supply: AC100~240V 50/60Hz
- Fuse: T3A
- Dimensions: 40. x 6n. x 18in.
- Weight: 21 lbs

Please note: As we continue to work towards improving our products and your experience as a user, we recommend that you check our website periodically for updates to user manuals and specifications at www.ColorKeyLED.com or you may contact us directly at info@colorkeyled.com.