

MOVER SPOT 150



CKU-5052

USER MANUAL



ColorKey
creative lighting

Table of Contents

INTRODUCTION	3
SERVICE & SUPPORT	3
PRODUCT OVERVIEW	4
MOUNTING	6
POWER LINKING	6
DISPLAY OPERATION	7
MENU GUIDE.....	8
GOBO AND COLOR CHANNEL ASSIGNMENTS	10
DMX VALUES	11
STAND ALONE SETTINGS.....	15
PASSCODE PROTECTED ADJUSTMENTS	18
MAINTENANCE.....	19
TROUBLESHOOTING	19
TECHNICAL INFORMATION	20

Please read these instructions carefully before use. Operating this fixture according to these instructions is important to avoid any possible damage or accidents caused by misuse.

Introduction

Package Contents

- Mover Spot 150
- Power Cord
- 4ft. DMX Cable
- Hanging Bracket
- Eyebolt
- QR Guide

Caution! Opening this unit voids warranty. Contact ColorKey for any service requests.

Warning! To avoid electrical shock, be sure to disconnect power before any service or when moving or setting up the fixture.

Service & Support

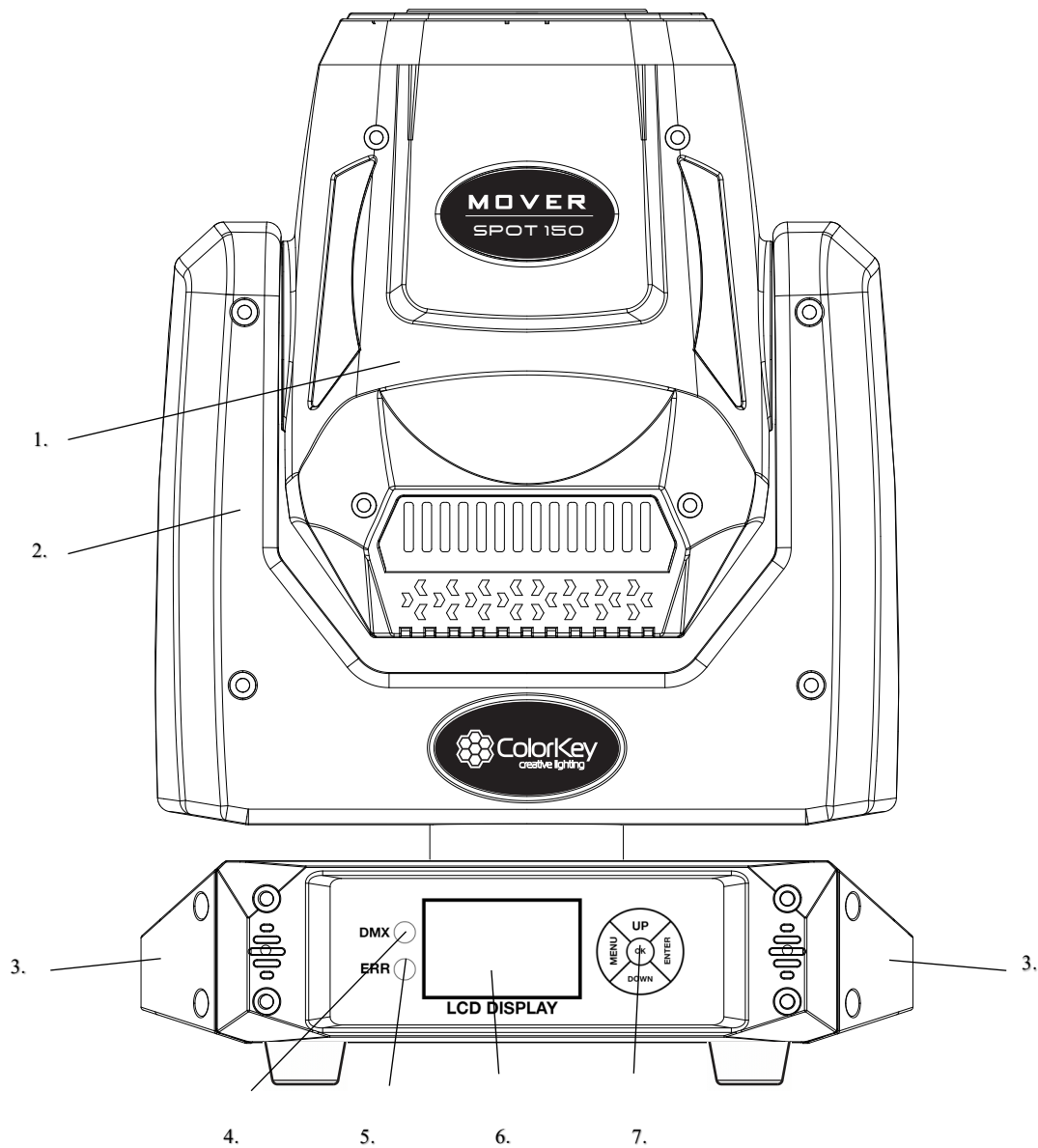
Your ColorKey product includes a 2-year warranty. For technical support or to register your product, please visit <https://www.colorkeyled.com/support/>

You can also reach us by phone Monday thru Friday, 8:30am –5pm PST at (818) 578-4030.



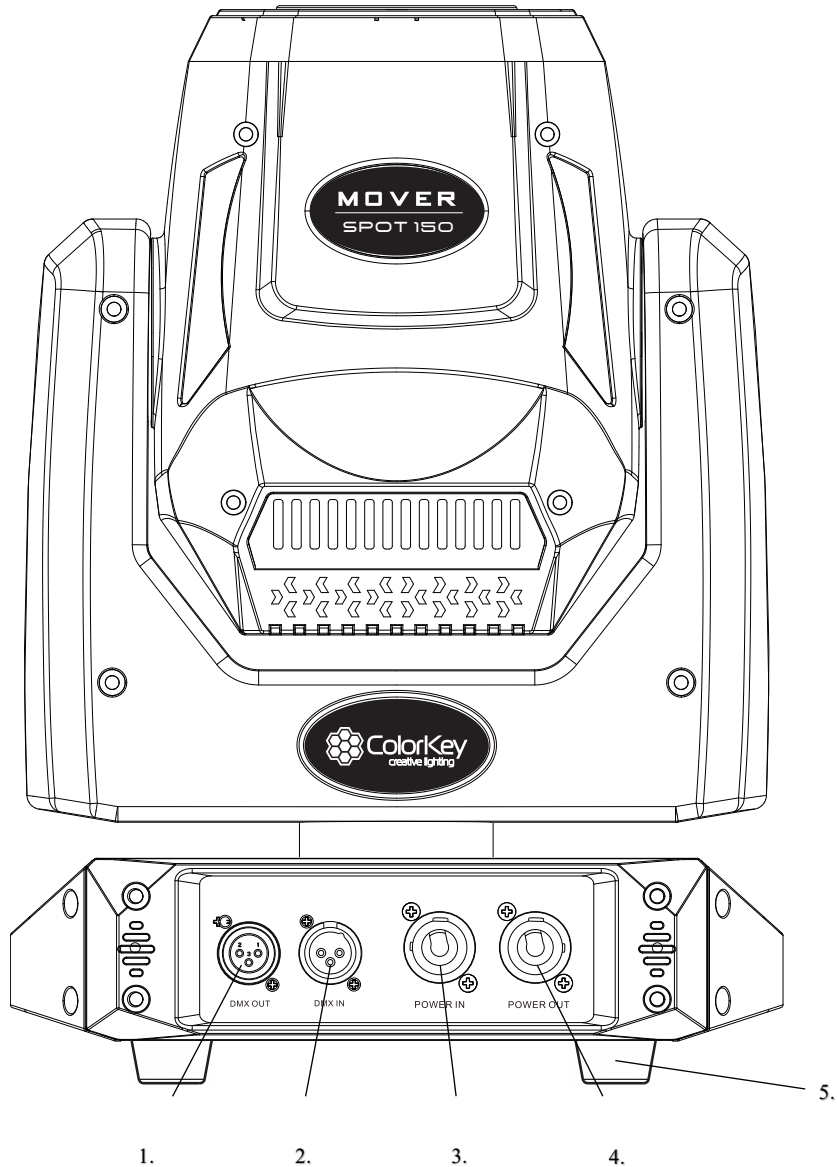
Product Overview

Front



- | | |
|----------------------|------------------------|
| 1. Moving Head | 5. Error LED Indicator |
| 2. Yoke | 6. LCD Display |
| 3. Carrying Handle | 7. Menu Guide Buttons |
| 4. DMX LED Indicator | |

Back



1. DMX Out
2. DMX In
3. Power In

4. Power Out
5. Feet for Floor Mounting

Mounting

Orientation

Mover Spot 150 may be mounted in any position; however, make sure there is adequate ventilation around the product.

Rigging

- Before deciding on a location, make sure there is easy access to the product for maintenance and programming.
- Make sure adequate ventilation is provided around the product.
- Make sure that the structure or surface onto which you are mounting the product can support the products weight.
- Mount the product securely to a rigging point, whether an elevated platform or a truss.
- An eyebolt is included for the use of safety cable when hanging.
- When rigging the product onto a truss, use a mounting clamp of the appropriate weight capacity.
- When power linking multiple products, mount the products close enough for power linking cable to reach.
- The rubber feet also serve as floor supports and allow for surface mounting. When mounting the product on the floor, make sure that the product and cables are away from people.

Power Linking

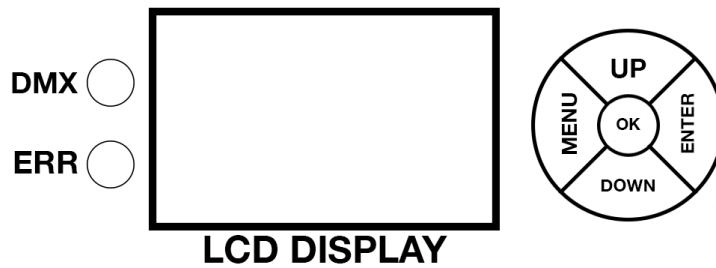
Power Linking

Mover Spot 150 provides power linking via the outlet located on the back of the product. Up to 4 Mover Spot 150 units can be power linked.

Powering your product

- Always Connect the product to a protected circuit (a circuit breaker or fuse). Make sure the product has an appropriate electrical ground to avoid the risk of shock or fire.
- To eliminate unnecessary wear and improve the life of your Mover Spot 150, completely disconnect the product from power via the breaker or by unplugging it.

Display Operation



MENU:	Access the menu/Scroll through menu options
OK:	Open/Selects the current menu option
ENTER:	Return to previous menu option
UP:	Scroll through menu selection or parameter increase
DOWN:	Scroll through menu selection or parameter decrease
DMX:	Lit when receiving DMX signal
ERR:	Lit when error has occurred

Menu Guide

Main Level	Programing Level	Values
Settings	Mode	Console (DMX)
		Sound active
		Auto program-1
		Auto program-2
		Auto program-3
		Auto program-4
		Randomized movements
	DMX Address Setting	1-512
	DMX Channel Mode	15 ch.
	Sound Sensitivity Adjustment	1-99 (low to high)
	Pan	On/off
	Tilt	On/off
	Pan/tilt exchange (invert)	On/off
	Encoder	On/off
	Signal Overtime	Shift light/keep on
Screen saver	On/off	
Color linear	On/off	
Restore factory settings	Yes	
Manual Mode	Dimming	0-255
	Strobe	0-255
	Pan	0-255
	Pan fine tuning	0-255
	Tilt	0-255
	Tilt fine tuning	0-255
	Pan/tilt speed	0-255
	Color	0-255
	Gobo 1	0-255
	Gobo 2	0-255
	Gobo 2 rotation	0-255
	Focus	0-255
	Prism /Prism Rotation	0-255

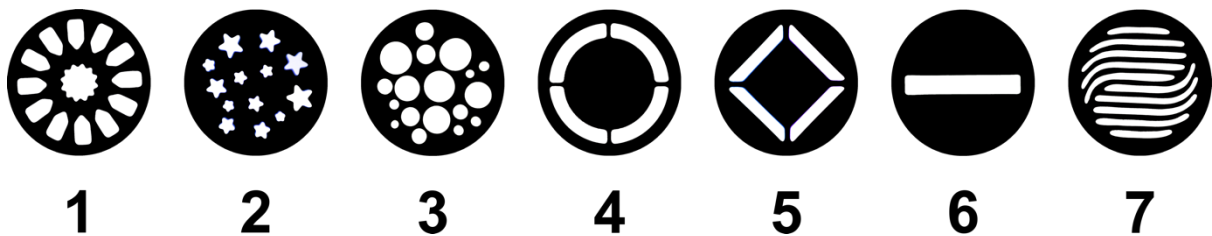
	Auto Programs	0-255
	Factory Reset	X
Offset	Pan offset	(-128) - (+127)
	Tilt offset	(-128) - (+127)
	Color wheel offset	(-128) - (+127)
	Gobo wheel offset	(-128) - (+127)
	Focus offset	(-128) - (+127)
	Gogo wheel 2 offset	(-128) - (+127)
Advanced- settings	Language change	Yes (Chinese & English)
	LCD display reverse	Yes
	Time reset	Yes
	Temperature protection	0-120

Gobo and Color Channel Assignments

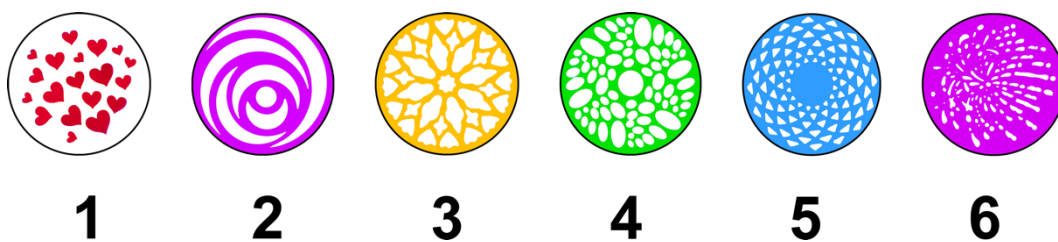
Gobos & Color Layering

Unleash your creativity with not one, but TWO gobo wheels. The first wheel (Gobo 1) offers 7 static metal gobos, while the second wheel (Gobo 2) features 6 glass gobos that can rotate with independent channel control. Create textures and patterns like never before by layering gobos, colors, and prism effect for a truly one-of-a-kind lighting experience.

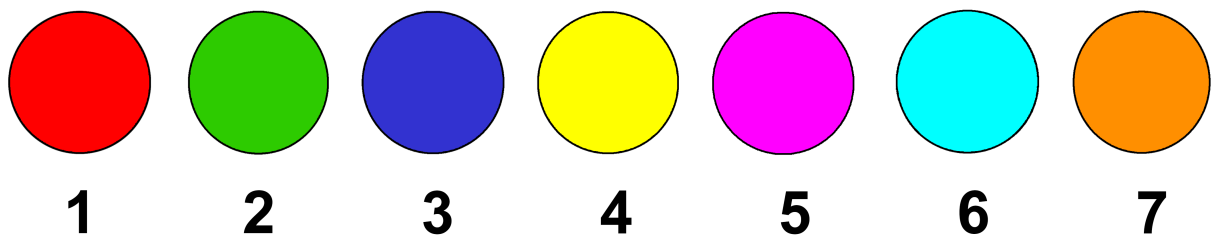
Metal Gobos (Gobo 1)



Glass Gobos (Gobo 2) - Rotating



Color Selections



DMX Values

15CH DMX values

Channel	Value	Function	Description
1	0-255	Dimmer	From Dark to Bright
2	0-10	Strobe	No strobe
	11-255		Strobe from Slow to Fast
3	0-255	Pan	Pan
4	0-255	Pan fine tuning	Pan fine tuning
5	0-255	Tilt	Tilt
6	0-255	Tilt fine tuning	Tilt fine tuning
7	0-255	Pan/Tilt Speed	Pan / tilt speed from fast to slow
8	Color Selection		
	0-4	Color Selection	Open
	5-9		Open + Color 1
	10-14		Color 1
	15-19		Color 1 + Color 2
	20-24		Color 2
	25-29		Color 2 + Color 3
	30-34		Color 3
	35-39		Color 3 + Color 4
	40-44		Color 4
	45-49		Color 4 + Color 5
	50-54		Color 5
55-59	Color 5 + Color 6		

	60-64		Color 6
	65-69		Color 6 + Color 7
	70-74		Color 7
	75-79		Color 7 + open
	80-167		CCW = Counter-Clockwise CCW Color cycling from slow to fast
	168-255		CW = Clockwise CW Color cycling from fast to slow
	Gobo 1		
9	0-9	Metal Gobo Wheel	Open
	10-19		Gobo 1
	20-29		Gobo 2
	30-39		Gobo 3
	40-49		Gobo 4
	50-59		Gobo 5
	60-69		Gobo 6
	70-79		Gobo 7
	80-89		Gobo 1 shake
	90-99		Gobo 2 shake
	100-109		Gobo 3 shake
	110-119		Gobo 4 shake
	120-129		Gobo 5 shake
	130-139		Gobo 6 shake
	140-149		Gobo 7 shake
150-202	CCW Gobo cycling from fast to slow		

	203-255		CW gobo cycling from slow to fast
10	Gobo 2		
	0-9	Glass Gobo Wheel	Open
	10-19		Glass Gobo 1
	20-29		Glass Gobo 2
	30-39		Glass Gobo 3
	40-49		Glass Gobo 4
	50-59		Glass Gobo 5
	60-69		Glass Gobo 6
	70-79		Glass Gobo 1 shake
	80-89		Glass Gobo 2 shake
	90-99		Glass Gobo 3 shake
	100-109		Glass Gobo 4 shake
	110-119		Glass Gobo 5 shake
	120-129		Glass Gobo 6 shake
	130-192		CCW Glass Gobo cycling from fast to slow
193-255	CW Glass Gobo cycling from slow to fast		

11	0-127	Glass Gobo Rotation	Manual Gobo Indexing
	128-190		CW Gobo rotation from fast to slow
	191-192		Gobo Stop
	193-255		CW Gobo rotation from slow to fast
12	0-255	Focus	Focus
13	0-127	Prism / Prism Rotation	No Prism
	128-136		Prism Active
	137-255		Prism rotation from slow to fast
14	0-5	Macro function (Auto Show)	No function
	6-55		Show 1
	56-105		Show 2
	106-155		Show 3
	156-205		Show 4
	206-255		Random Show
15	0-25	Reset	No function
	26-76		Motor reset
	77-127		Pan/tilt reset
	128-255		Full Fixture Reset

Stand Alone Settings

To use your Mover Spot 150 without a DMX Controller, use one of the various standalone modes below.

***Please note, we do not recommend using products in standalone mode that are connected to a DMX string and controller. Standalone mode may transmit DMX signals that could interfere with DMX signals from the controller. ***

Automatic Programs

To run the Mover Spot 150 in Automatic Mode, follow the instructions below:

1. Press (Menu)
2. Double press (OK) to select Setting
3. Double press (OK) to select RunMode
4. Use (Up or Down) to select Auto Program 1-4
5. Press (OK) to make selection
6. Press (Enter) to return to menu

Sound Active Mode

To run the Mover Spot 150 in sound-active mode, do the following:

1. Press (Menu)
2. Double press (OK) to select Setting
3. Double press (OK) to select RunMode
4. Use (Up or Down) to select Sound
5. Press (OK) to make selection
6. Press (Enter) to return to menu

Sound Sensitivity

To set the Sound Active sensitivity on the Mover Spot 150, follow the instructions below:

1. Press (Menu)
2. Press (OK) 3 times to enter and navigate Setting selections
3. Use (Up or Down) to select Sens
4. Press (OK) to make selection
5. Use (Up or Down) to select Sound Sensitivity, low- high (01-99)
6. Press (OK) to make selection
7. Press (Enter) to return to menu

Manual Mode

To operate the Mover Spot 150 manually through the menu, do the following:

1. Press (Menu)
2. Press (OK) to enter and navigate selections
3. Use (Up or Down) to select Test
4. Press (Ok)
5. Use (Up or Down) to select from Pan, Tilt, Gobo, Gobo Rotate, Prism, Focus, Dimmer and Strobe and other selections
6. Press (Ok)
7. Use (Up) or (Down) to increase or decrease the value of the selected function from 000-255
8. Press (OK) to make selection
9. Press (Enter) to return to menu

Invert Pan

To set Pan orientation on the Mover Spot 150, follow the instructions below:

1. Press (Menu)
2. Press (OK) 3 times to enter and navigate Setting selections
3. Use (Up or Down) to select InvertPan
4. Press (OK) to make selection
5. Use (Up or Down) to turn the Pan orientation ON or OFF
6. Press (OK) to make selection
7. Press (Enter) to return to menu

Invert Tilt

To set Tilt orientation on the Mover Spot 150, do the following:

1. Press (Menu)
2. Press (OK) 3 times to enter and navigate Setting selections
3. Use (Up or Down) to select InvertTilt
4. Press (OK) to make selection
5. Use (Up or Down) to turn the Tilt orientation ON or OFF
6. Press (OK) to make selection
7. Press (Enter) to return to menu

Swap Pan and Tilt

To set swap the Pan and Tilt orientation on the Mover Spot 150, do the following:

1. Press (Menu)
2. Press (OK) 3 times to enter and navigate Setting selections
3. Use (Up or Down) to select SwapPanTilt
4. Press (OK) to make selection
5. Use (Up or Down) to make the orientation ON or OFF
6. Press (OK) to make selection
7. Press (Enter) to return to menu

Screen Reverse

To set the display orientation on the Mover Spot 150, follow the instructions below:

1. Press (Menu)
2. Press (OK) to enter and navigate selections
3. Use (Up or Down) to select Advanced
4. Double Press (Ok)
5. Use (Up or Down) to select ScreenRot
6. Press (Ok) to confirm selection
7. Press (Enter) to return to menu

Passcode Protected Adjustments

Mover Spot 150 has a passcode protected mode that allows the user to calibrate and adjust several of the products operating parameters.

In order to access this mode, do the following:

1. Press (Menu)
2. Press (OK) to enter and navigate selections
3. Use (Up or Down) to select Offset
4. Use (Up or Down) to enter Passcode: 1234567
5. Select OK and Press (OK)

In this mode you can adjust the starting positions of the following:

<u>Parameter</u>	<u>Function</u>
Pan	Pan Motor
Tilt	Tilt Motor
Color	Color Wheel
Metal Gobo	Gobo Wheel
Glass Gobo	Gobo Wheel
Prism	Prism Assembly
Focus	Focus Assembly

To adjust the starting position of one of these parameters, follow the instructions below:

1. Access the Protected Adjustments
2. Use (Up) or (Down)) to select Mode
3. Press (OK)
4. Use (Up) or (Down) to increase (+127) or decrease (-128) the value of the selected function
5. Press (OK) to make selection
6. Press (Enter)

Maintenance

Dust build-up reduces light output performance and can cause overheating. This can lead to reduction of the light sources life and or mechanical wear. To maintain optimum performance and minimize wear, clean your lighting products regularly after extended use. However, be aware that usage and environmental conditions could be contributing factors to increase the cleaning frequency.

To clean the product, follow the instruction below:

1. Unplug the product from power.
2. Wait until the product is at room temperature.
3. Use a vacuum (or dry compressed air) and a soft brush to remove dust collected on the external surface/vents.
4. Clean all transparent surfaces with a mild soap solution, ammonia-free glass cleaner, or ISO.
5. Apply the solution directly to a soft, lint free cotton cloth or a lens cleaning tissue.
6. Softly drag any dirt or grime to the outside of the transparent surface.
7. Gently polish the transparent surfaces until they are free of haze and lint.

Troubleshooting

Problems	Solutions

Technical Information

- 90W white LED
- Color wheel with 7 colors plus open
- Split colors allow for up to 16 color combinations
- Dual gobo wheels: 7 static metal gobos plus open and 6 glass rotating gobos plus open
- Color and gobo wheels continuous scroll at variable speeds
- 0-100% linear dimmer
- 0-10Hz shutter speed
- Beam Angle: 10°
- Pan: 540°/ Tilt: 270°
- Motorized focus
- Rotating 5 facet prism
- DMX 15-channel mode
- DMX: 3-pin XLR In/Out
- Color LCD screen
- Quick release hanging bracket
- Power Supply: PowerCon In + Out
- Power Consumption: 120W
- Dimensions: 17" x 13" x 12" (423 x 322 x 297 mm)
- Weight: 15 lbs. (6.8 kg)

Please note: As we continue to work towards improving our products and your experience as a user, we recommend that you check our website periodically for updates to user manuals and specifications at www.ColorKeyLED.com or you may contact us directly at info@colorkeyled.com.