

**MOVER**  
**BEAM 100**



**CKU-5060**

USER MANUAL



**ColorKey**  
creative lighting

# Table of Contents

**INTRODUCTION ..... 3**

**SERVICE & SUPPORT ..... 3**

**PRODUCT OVERVIEW ..... 4**

**MOUNTING ..... 6**

**DISPLAY OPERATION ..... 7**

**MENU GUIDE..... 8**

**GOBO AND COLOR CHANNEL ASSIGNMENTS ..... 9**

**DMX VALUES ..... 10**

**STAND ALONE SETTINGS ..... 13**

**MAINTENANCE..... 15**

**TROUBLESHOOTING ..... ERROR! BOOKMARK NOT DEFINED.**

**TECHNICAL INFORMATION ..... 16**

*Please read these instructions carefully before use. Operating this fixture according to these instructions is important to avoid any possible damage or accidents caused by misuse.*

## Introduction

### Package Contents

- Mover Beam 100
- Power Cord
- Hanging Bracket
- QR Guide

**Caution!** Opening this unit voids warranty. Contact ColorKey for any service requests.

**Warning!** To avoid electrical shock, be sure to disconnect power before any service or when moving or setting up the fixture.

## Service & Support

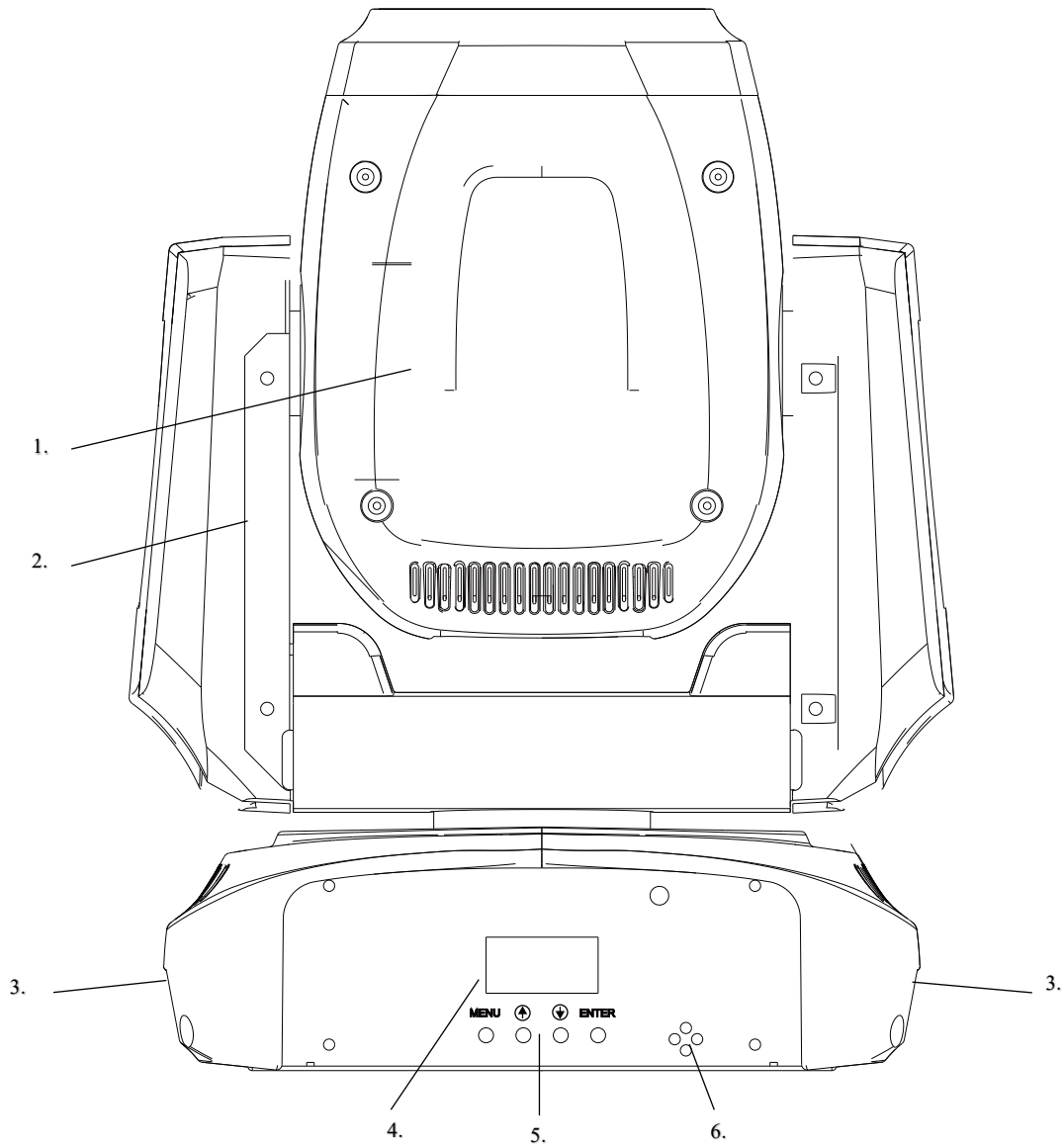
Your ColorKey product includes a 2-year warranty. For technical support or to register your product, please visit <https://www.colorkeyled.com/support/>

You can also reach us by phone Monday thru Friday, 8:30am –5pm PST at (818) 578-4030.



# Product Overview

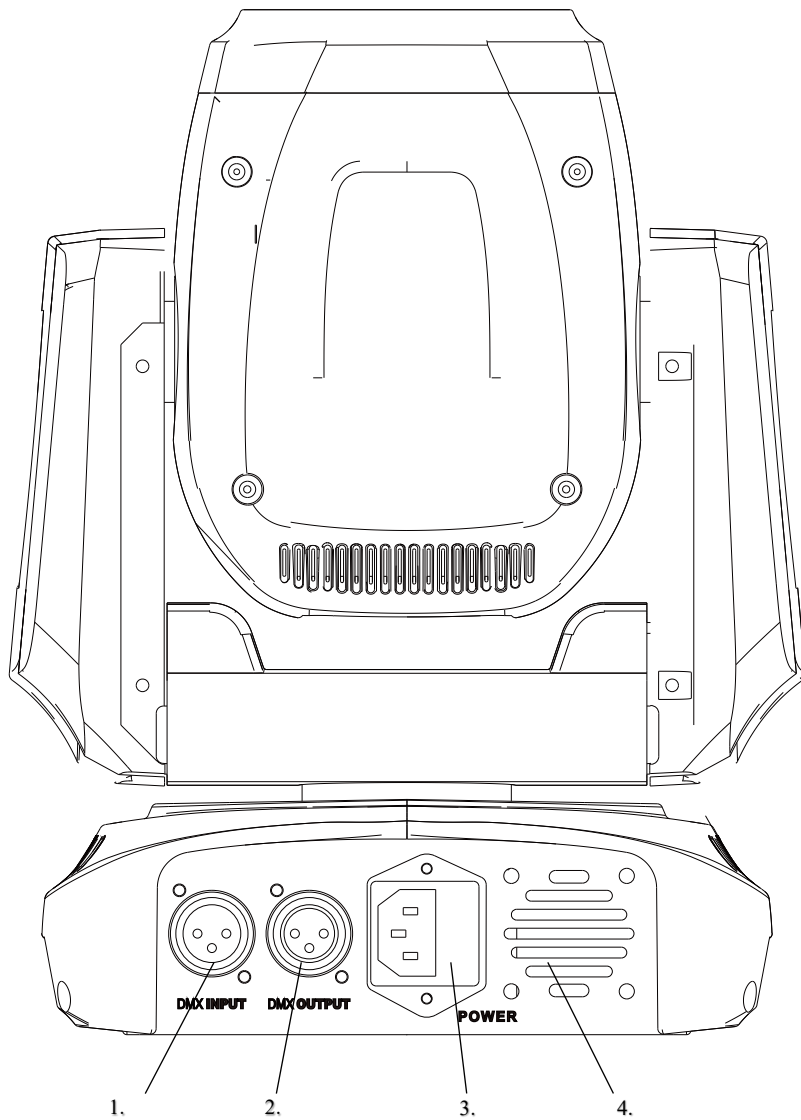
## Front



- 1. Moving Head
- 2. Yoke
- 3. Base

- 4. LED Display
- 5. Menu Guide Buttons
- 6. Microphone

## Back



- 1. DMX In
- 2. DMX Out

- 3. Power In
- 4. Fan

## Mounting

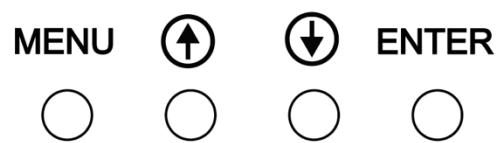
### Orientation

Mover Beam 100 may be mounted in any position; however, make sure there is adequate ventilation around the product.

### Rigging

- Before deciding on a location, make sure there is easy access to the product for maintenance and programming.
- Make sure adequate ventilation is provided around the product.
- Make sure that the structure or surface onto which you are mounting the product can support the products weight.
- Mount the product securely to a rigging point, weather an elevated platform or a truss.
- When rigging the product onto a truss, use a mounting clamp of the appropriate weight capacity.
- When mounting the product on the floor, make sure that the product and cables are away from people.

## Display Operation



- MENU:        Access the menu
- UP:            Scroll through menu selection or parameter increase
- DOWN:        Scroll through menu selection or parameter decrease
- ENTER:        Make Selection

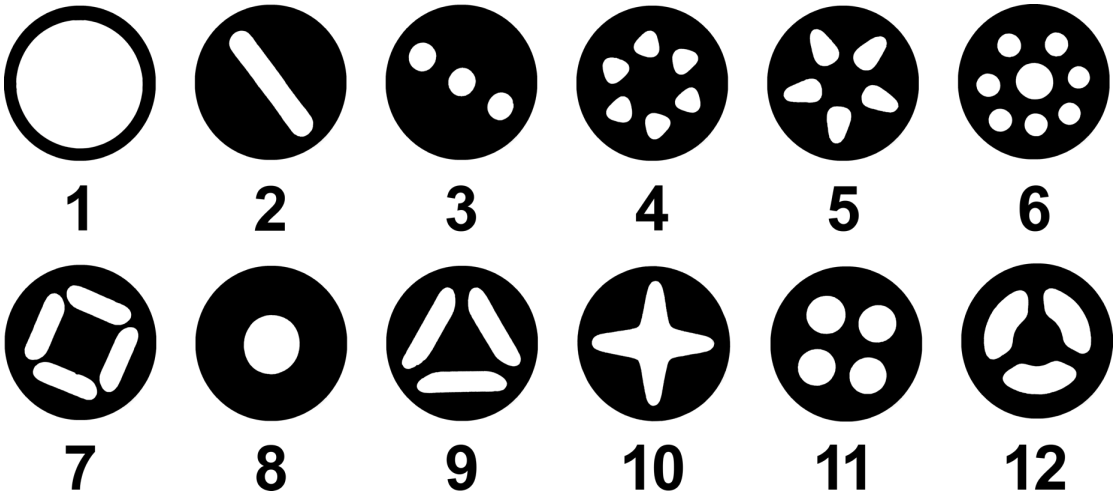
## Menu Guide

Display	Value	Function
Addr	d001-d512	Set DMX Address
CHnd	13	Select 11 or 13 Chanel DMX Mode
	11	
SLnd	Auto	Master Mode (slave units will mirror the actions of this unit)
	SL 1	DMX512 Mode
	SL 2	Slave Mode
SHnd	SH 0	Effect 0
	SH 1	Effect 1
	SH 2	Effect 2
	SH 3	Effect 3
	SH 4	Effect 4
	SH 5	Effect 5
Soud	OFF	No Sound Active Response
	ON	Fixture will operate in Sound Active Mode
SEnS	0-99	Adjust the sound sensitivity (low to high)
LEd	OFF	Screen will turn off after 5 seconds
	ON	Screen will remain on at all times
dISP	no	Display reverse
	YES	Display regular
rPAN	no	X motor regular
	YES	X motor reverse
rTiL	no	Y motor regular
	YES	Y motor reverse
REST	YES	System Reset
T0		Temperature display

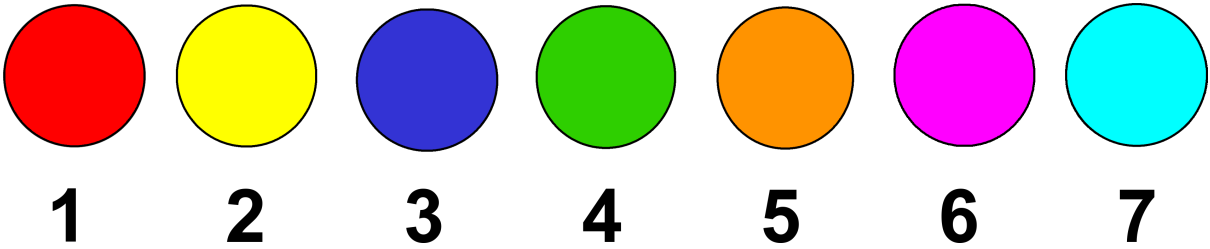


# Gobo and Color Channel Assignments

## Gobos



## Color Selections



## DMX Values

### 11CH DMX values

Channel	Value	Function
1	0-255	Pan
2	0-255	Tilt
3	0-255	Pan/Tilt Speed
4	0-255	Dimming
5	0-255	Strobe
6	001-019	White
	020-39	Color 1 - Red
	040-059	Color 2 - Yellow
	060-079	Color 3 - Blue
	080-099	Color 4 - Green
	100-119	Color 5 - Orange
	120-139	Color 6 - Magenta
	140-159	Color 7 - Cyan
	160-207	CW Color Cycling Slow to Fast
	208-255	CC Color Cycling Slow to Fast
7	001-009	Gobo 1 - Open
	010-019	Gobo 2 - Pill
	020-029	Gobo 3 - Three Dot Line
	030-039	Gobo 4 - Hex Star
	040-049	Gobo 5 - Star
	050-059	Gobo 6 - Flower
	060-069	Gobo 7 - Cube Outline
	070-079	Gobo 8 - Pinpoint Circle
	080-089	Gobo 9 - Triangle Outline
	090-099	Gobo 10 - Four Point Star
	100-109	Gobo 11 - Four Dot Stack
	110-119	Gobo 12 - Circle Outline
	120-187	Counter Clockwise Rotation (Slow to Fast)
	188-255	Clockwise Rotation (slow to fast)
8	0-99	Prism Motor Off
	100-127	Prism Motor On
	128-255	Prism Rotation (slow to fast)
9	0-126	No Function

	127-255	Turn on Rainbow Prism
10	0-59	No Effect
	60-159	Auto Mode
	160-255	Sound Active Mode
11	0-249	No Function
	250-255	Reset (5 Seconds)

## 13CH DMX values

Channel	Value	Function
1	0-255	Pan
2	0-255	Pan Fine
3	0-255	Tilt
4	0-255	Tilt Fine
5	0-255	Pan/Tilt Speed
6	0-255	Dimming
7	0-255	Strobe
8	001-019	White
	020-39	Color 1 - Red
	040-059	Color 2 - Yellow
	060-079	Color 3 - Blue
	080-099	Color 4 - Green
	100-119	Color 5 - Orange
	120-139	Color 6 - Magenta
	140-159	Color 7 - Cyan
	160-207	CW Color Cycling Slow to Fast
	208-255	CC Color Cycling Slow to Fast
9	001-009	Gobo 1 - Open
	010-019	Gobo 2 - Pill
	020-029	Gobo 3 - Three Dot Line
	030-039	Gobo 4 - Hex Star
	040-049	Gobo 5 - Star
	050-059	Gobo 6 - Flower
	060-069	Gobo 7 - Cube Outline
	070-079	Gobo 8 - Pinpoint Circle
	080-089	Gobo 9 - Triangle Outline
	090-099	Gobo 10 - Four Point Star
	100-109	Gobo 11 - Four Dot Stack

	110-119	Gobo 12 - Circle Outline
	120-187	Counter Clockwise Rotation (Slow to Fast)
	188-255	Clockwise Rotation (slow to fast)
10	0-99	Prism Motor Off
	100-127	Prism Motor On
	128-255	Prism Rotation (slow to fast)
11	0-126	No Function
	127-255	Turn on Rainbow Prism
12	0-59	No Effect
	60-159	Auto Mode
	160-255	Sound Active Mode
13	0-249	No Function
	250-255	Reset (5 Seconds)

## Stand Alone Settings

To use your Mover Beam 100 without a DMX Controller, use one of the various standalone modes below.

**\*Please note, we do not recommend using products in standalone mode that are connected to a DMX string and controller. Standalone mode may transmit DMX signals that could interfere with DMX signals from the controller. \***

### Automatic Programs

To run the Mover Beam 100 in Automatic Mode, follow the instructions below:

1. Press (Menu)
2. Use (Up or Down) to select Auto Program 1-4
3. Press (Enter) to return to menu

### Sound Active Mode

To run the Mover Beam 100 in sound-active mode, do the following:

1. Press (Menu)
2. Use (Up or Down) to select Sound
3. Press (Enter) to return to menu

### Sound Sensitivity

To set the Sound Active sensitivity on the Mover Beam 100, follow the instructions below:

1. Press (Menu)
2. Use (Up or Down) to select Sens
3. Use (Up or Down) to select Sound Sensitivity, low- high (01-99)
4. Press (Enter) to return to menu

### Invert Pan

To set Pan orientation on the Mover Beam 100, follow the instructions below:

1. Press (Menu)
2. Use (Up or Down) to select IPan
3. Use (Up or Down) to turn the Pan orientation ON or OFF
4. Press (Enter) to return to menu

### **Invert Tilt**

To set Tilt orientation on the Mover Beam 100, do the following:

1. Press (Menu)
2. Use (Up or Down) to select InvertTilt
3. Use (Up or Down) to turn the Tilt orientation ON or OFF
4. Press (Enter) to return to menu

### **Screen Reverse**

To set the display orientation on the Mover Beam 100, follow the instructions below:

1. Press (Menu)
2. Use (Up or Down) to select LED
3. Use (Up or Down) to select ScreenRot
4. Press (Enter) to return to menu

## Maintenance

Dust build-up reduces light output performance and can cause overheating. This can lead to reduction of the light sources life and or mechanical wear. To maintain optimum performance and minimize wear, clean your lighting products regularly after extended use. However, be aware that usage and environmental conditions could be contributing factors to increase the cleaning frequency.

To clean the product, follow the instruction below:

1. Unplug the product from power.
2. Wait until the product is at room temperature.
3. Use a vacuum (or dry compressed air) and a soft brush to remove dust collected on the external surface/vents.
4. Clean all transparent surfaces with a mild soap solution, ammonia-free glass cleaner, or ISO.
5. Apply the solution directly to a soft, lint free cotton cloth or a lens cleaning tissue.
6. Softly drag any dirt or grime to the outside of the transparent surface.
7. Gently polish the transparent surfaces until they are free of haze and lint.

## Technical Information

- 100W white LED
- Color wheel with 7 colors plus open
- Gobo wheels: 12 metal gobos
- 0-100% linear dimmer
- Pan: 540°/ Tilt: 180°
- 18-facet prism
- 6 color rainbow prism
- DMX 11 & 13 channel mode
- Master/ Slave, Sound Active, Auto- Programs, DMX 512
- DMX: 3-pin XLR In/Out
- Power Consumption: 120W
- Dimensions: 17" x 13" x 12" (423 x 322 x 297 mm)
- Weight: 15 lbs. (6.8 kg)

***Please note:*** As we continue to work towards improving our products and your experience as a user, we recommend that you check our website periodically for updates to user manuals and specifications at [www.ColorKeyLED.com](http://www.ColorKeyLED.com) or you may contact us directly at [info@colorkeyled.com](mailto:info@colorkeyled.com).