

BLAZE

TECHNICAL DATA SHEET



APPLICATIONS

- Performing Arts Centers
- Commercial Theatre
- Houses of Worship
- Cafés, Bars and Restaurants
- Fitness & Sports venues
- Compact, symmetrical enclosure, ideal for under-balcony or as on wall applications.

Passive, 2-way Constant Beamwidth Loudspeaker

CBL523

The CBL523 supports and compliments the other members of the Blaze Audio loudspeaker family when used for delay, under-balcony, stage edge-fill and wall-mount applications.

FEATURES



The ultra-compact and innovatively designed CBL523 is a perfect fit where on-wall distributed audio is needed.

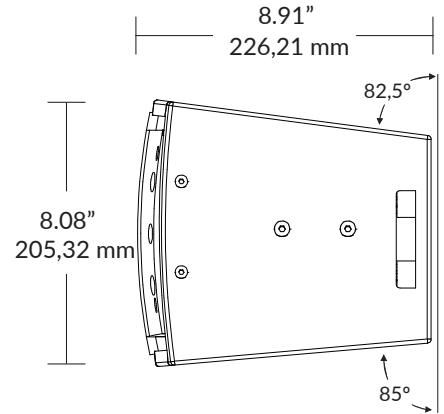
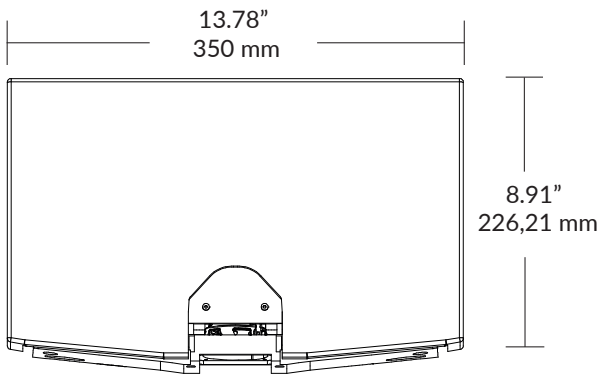
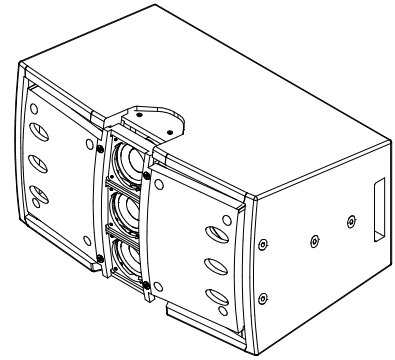
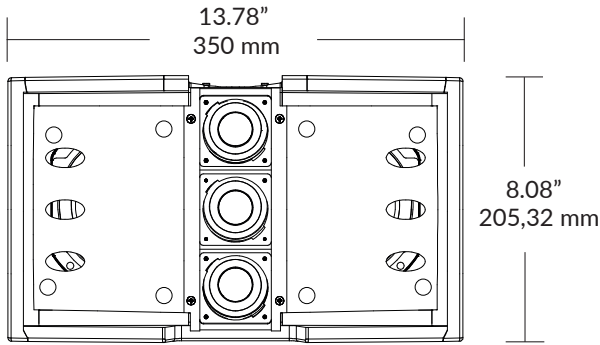
The 20 x 35 cm (8" x 14") enclosure features two 5" proprietary low-frequency drivers complimented by a vertical constant directivity array of three 2" mid-high frequency drivers, delivering 119 dB of maximum SPL in a focused 160° (horizontal) x 55°* (vertical) pattern.

The CBL523 has versatile mounting options with custom designed hardware, as well as the ability to stack and suspend two units together for increased SPL and enhanced vertical coverage & pattern control.

*Average beamwidth, 500 Hz - 5 kHz.

- Two x 5" custom low-frequency drivers.
- Three x 2" mid-high frequency drivers.
- 160° x 55°* Constant Beamwidth pattern.
- 119 dB maximum SPL.
- Symmetrical and compact trapezoidal design.
- Powder coated steel grille with a high transmission ratio.
- Tuned with a passive crossover and integration with Blaze Audio

TECHNICAL SPECIFICATIONS



SYSTEM PERFORMANCE

Frequency Response (-3 dB) ¹	71 Hz - 18 kHz
Frequency Range (-10 dB)	55 Hz - 18 kHz
Recommended High-Pass Filter	48 Hz
Horizontal Nominal Dispersion (-6 dB)	160°
Vertical Nominal Dispersion (-6 dB)	55° (Average beamwidth, 500 Hz - 5 kHz)
Recommended Crossover Frequency	520 Hz
Long Term Power Handling (Full Range) ²	160 W
Impedance	4 Ω
Pressure Sensitivity @ 1 W / 1 m (2.83 V) ³	91 dB
Max SPL @ 1 W / 1 m ⁴	119 dB (125 dB SPL peak)

PHYSICAL CHARACTERISTICS

Enclosure	12 mm Baltic birch plywood, engineered plastics.
Finish	Two-part spray catalyzed Polyurea coating on plywood.
Grille	16-gauge (1,6 mm) perforated steel, powder-coated finish, black.
Environmental	Indoor use only.
Connectors / Bi-Amp	Two (2) parallel-wired NL4 Neutrik® Speakon® connectors.
Suspension / Mounting	Wall/Ceiling Mount and Suspension Options. Hardware sold separately.
Dimensions (HxWxD)	8.08" x 13.78" x 8.90" (205,32 x 350 x 226,21mm)
Net Weight	15 lbs / 6,8 kg
Shipping Weight	18 lbs / 8,16 kg
Color Variants	Black or White
Product Version	CBL523

1. Frequency response and range measured on-axis with recommended active EQ in an anechoic environment.
2. Power handling tested using pink noise filtered to meet IEC 268-5, 6 dB crest factor, 100 hours, with recommended EQ.
3. Sensitivity measured in free field (no boundary-loading gain) with recommended active EQ, referenced to 1 W / 1 m.
4. Maximum SPL calculated from sensitivity and power handling specifications, exclusive of power compression (100 Hz - 10 kHz).



Rev A 23/01/2024