

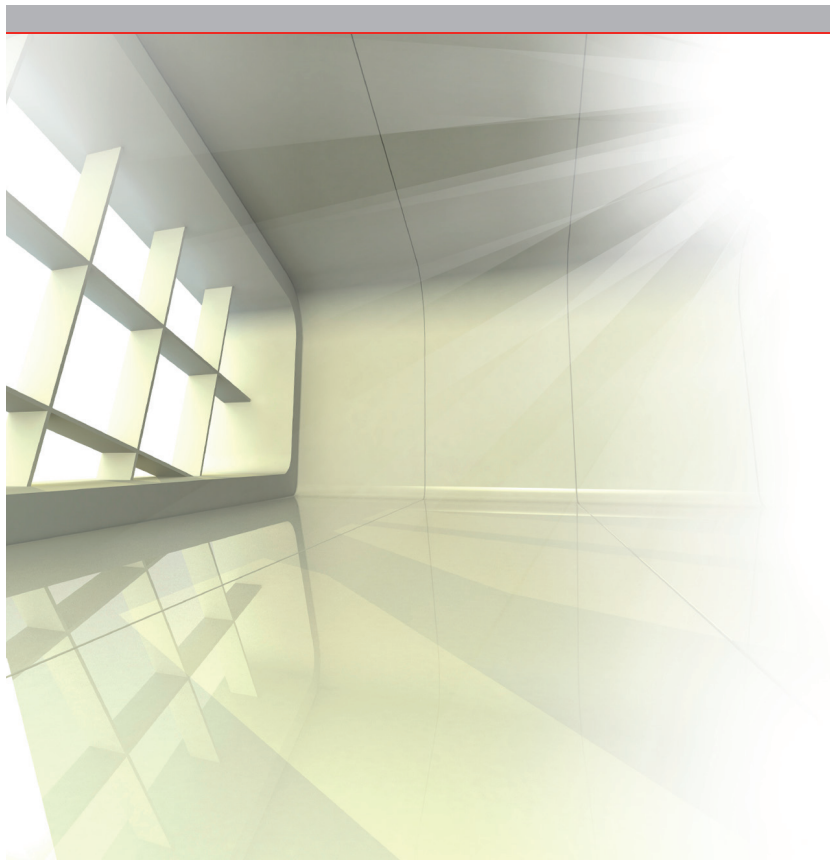


# Audipack®

It's great to have solutions...

# FACT SHEET

## 390704



Max. "  
65

Max.   
60



1804 mm

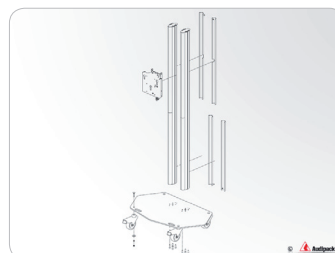
### **One of the best floor stand on wheels for flat panels up to 60 Kg.**

Free standing and movable floor stand for flat screens. The floor stand is supplied with high quality swivel/break wheels.

The flat panel floor stand consists of two vertical columns, each with front and back covers. Each column has 3 separate cable passages allowing a separate passage of power, audio and data cables.

The presentation height of the flat panel is adjustable. This floor stand is suitable for flat panels with a maximum screen size of 65 inch, in landscape or portrait orientation.

- ▲ **High quality swivel/break wheels**
- ▲ **Integrated ruler for screen height positioning**
- ▲ **3 separate cable channels per column**
- ▲ **Suitable for all brands of flat panels**
- ▲ **Landscape and portrait orientation of the screen**



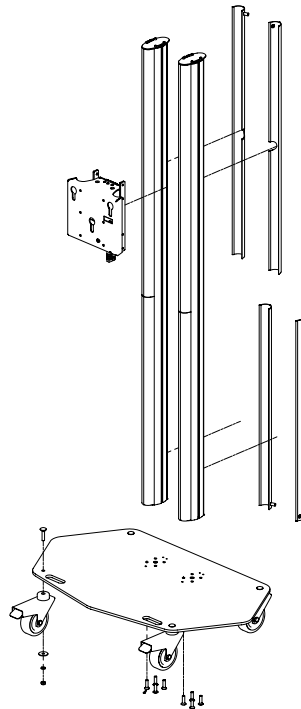
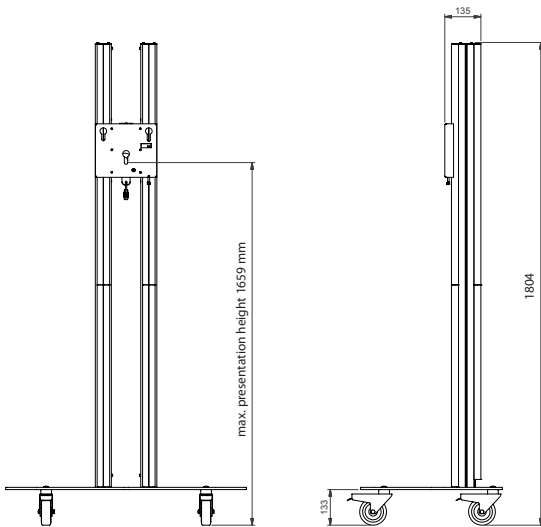
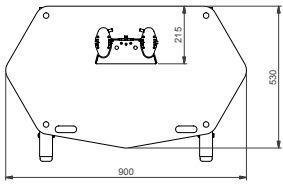


# Audipack®

It's great to have solutions...

# FACT SHEET

## 390704



### Technical specifications

Dimensions in mm	W900 x D530 x H1804
Weight	40 Kg
Max. load	60 Kg
Max. screen size	65 inch
Max pres. height	1659 mm
Mounting interface	L&S 3
Screen positioning	Landscape or Portrait
Colour	Floor plate: Black, RAL 9005 Columns: Anodised aluminium

### Optional

- Mounting bracket (required for screen installation)  
*universal models and brand related models available*
- Laptop supports, 390715, 390716
- Laptop housings, 390737
- Equipment cabinets, EC-735, EC-736, EC-1, EC-1AC
- Camera support, 390738
- Mounting head for multiple screen installation, 390711
- Video conference mounting head, 390768, 390769
- Portrait/Landscape adapter, P3496
- Lock to protect the screen against theft, 230052
- Soundbar mounting interface, LSS-FS700